

Los Angeles County Department of Public Works

HYDROLOGIC REPORT

2001 – 2002



Water Resources Division

TABLE OF CONTENTS

TABLE OF CONTENTS	(i)
APPENDICES	(ii)
ACKNOWLEDGMENTS	4
INTRODUCTION	5
LOS ANGELES COUNTY	6
FLOOD CONTROL AND WATER CONSERVATION	8
PRECIPITATION	9
RAINFALL INDICES.....	10
ACTIVE RAIN GAGE STATIONS DURING WATER YEAR 2001-2002	11
DAILY RAINFALL SUMMARY.....	18
LOCATION MAP.....	19
EVAPORATION	20
ACTIVE STATIONS	21
MONTHLY SUMMARY.....	22
LOCATION MAP.....	23
RUNOFF	24
INDEX OF STREAM FLOW MEASURING STATIONS.....	25
STREAM GAGING STATION INFORMATION.....	27
DAILY DISCHARGE.....	27
STREAM GAGING STATION PEAK FLOW.....	27
LOCATION MAP.....	28
RESERVOIRS	29
YEARLY RESERVOIR OPERATION SUMMARY.....	30
FACILITIES.....	31
LOCATION MAP.....	32
EROSION CONTROL	33
LOCATION MAP.....	34
DEBRIS BASIN - DESIGN DATA.....	35
WATER CONSERVATION	41
CONSERVING THE WATERS.....	41
IMPORTED WATER.....	41
RECYCLED WATER.....	41
SEAWATER BARRIER PROJECTS.....	42
SEASONAL DATA AND MAPS.....	42
GROUNDWATER BASINS AND GROUNDWATER RECHARGE.....	42
SUMMARY.....	45
<i>SPREADING FACILITIES OWNED AND OPERATED BY THE DEPARTMENT</i>	45
<i>NON DPW FACILITIES</i>	45
<i>TOTAL MONTHLY WATER CONSERVED</i>	45
<i>IMPORTED WATER OUTLET RELEASES</i>	45
<i>RECLAIMED WATER</i>	45
<i>GROUND WATER FLUCTUATION</i>	45
<i>KEYWELL LOCATION MAP</i>	46

APPENDICES

DAILY RAINFALL SUMMARY.....	A
STREAM GAGING STATION INFORMATION.....	B
DAILY DISCHARGE.....	C
STREAM GAGING STATION PEAK FLOW.....	D
YEARLY RESERVOIR OPERATION SUMMARY.....	E
EROSION CONTROL - LOCATION MAP.....	F
SUMMARY OF WATER CONSERVATION	
SPREADING FACILITIES OWNED AND OPERATED BY DEPARTMENT.....	G
NON DPW FACILITIES.....	H
TOTAL MONTHLY WATER CONSERVED.....	I
IMPORTED WATER OUTLET RELEASES.....	J
RECLAIMED WATER.....	K
GROUND WATER FLUCTUATION.....	L

Acknowledgments

This report was prepared by the Water Resources Division under the direction of Fred Rubin, Assistant Deputy Director. The following people contributed the data gathered for this report.

Data Collection and Processing:

OPERATIONS STAFF:

Oliver Galang

Jason Pereira

Edward Gerlits

Leopoldo Herrera: *Supervising*

Irene Wong

Hans Riedel: *Supervising*

Marshall Bonaparte, Janet Lozano

Soo Khoo: *Supervising*

Kevin Smith, Jose Luis Escajeda

Don Wilson: *Supervising*

Carlos Santos, Alex Rivera

HYDROLOGIC RECORDS STAFF:

Sameer Etman: *Supervising*

Rodney Brown, Marine Gaplandzhyan, Leonard Davidian

INSTRUMENTATION SUPPORT STAFF:

Araik Zargaryan: *Supervising*

Willis Feagin, Leonard Khoo, Thompson Nguyen,

Robert Fuentes

HYDROLOGIC SYSTEMS SUPPORT STAFF:

Arthur Gotingco: *Supervising*

Eka Abdi

Coordination:

Adam Walden

Fred Lai

Layout and Production:

Fred Lai - Webmaster

Rodney Brown - Map Specialist

DISCLAIMER

The information contained on this report was valid at the time of publication. The Department of Public Works reserves the right to make changes at any time and without notice, and assumes no liability for any damages incurred directly or indirectly as a result of changes errors, omissions or discrepancies.

Introduction

This report discusses hydrologic data relative to the County of Los Angeles for the period beginning October 1, 2001, and ending September 30, 2002. Public Works has revised the format of this report to provide users with more useful data and a more efficient means of utilizing that data. The report consists of six sections.

PRECIPITATION

Lists 273 active [rainfall stations](#) for which unpublished rainfall data are on file at Public Works.

EVAPORATION

Lists 13 [evaporation station](#) locations and data for this reporting period. Unpublished evaporation data from previous years are on file at Public Works.

RUNOFF

Lists 65 active [stream gaging stations](#). The mean of the [daily flow rates](#) during the reporting period, the reporting period's peak flow rate, and historical peak flow rate for each of these stations are contained in this section. Unpublished stream flow data are on file at Public Works.

RESERVOIRS

Lists 15 [dams and reservoirs](#) for which inflow, outflow, and storage data are on file at Public Works.

EROSION CONTROL

115 [debris basins](#). Data on the debris production amounts for the reporting period are contained in this section. Unpublished debris production and inflow data are on file at Public Works.

WATER CONSERVATION

Lists 32 [groundwater recharge](#) locations. Data on the water conserved at various facilities and water injected at seawater barrier projects during the reporting period, and historical well level data for key wells are contained in this section. Unpublished water conservation data from previous years are on file at Public Works.

Unpublished information may be obtained by contacting:

**Los Angeles County Department of Public Works
Water Resources Division
P.O. Box 1460
Alhambra, CA 91802-1460**

...or telephone: (626) 458-6120

Los Angeles County

TOPOGRAPHY:

The County of Los Angeles covers an area of 4,083 square miles and measures approximately 66 miles in the east -west and 73 miles in the north - south directions.

The terrain within the County can be classified in broad terms as being 25 percent mountainous; 14 percent coastal plain; and 61 percent hills, valleys, or deserts. Relief of the terrain ranges from sea level to a maximum elevation of 10,000 feet. The coastal plain is generally of mild slope and contains relatively few depressions or natural ponding areas. The slopes of main river systems crossing the coastal plain, such as the San Gabriel River, Los Angeles River, and Ballona Creek, range from 4 to 14 feet per mile.

Topography in the mountainous area is generally rugged with deep, V-shaped canyons separated by sharp dividing ridges. Steep walled canyons with side slopes of 70 percent or more are common. The gradient of principal canyons in the San Gabriel Mountains ranges from 150 to 850 feet per mile. Mountain ranges are aligned in a general east-west direction with the dominant range being the San Gabriel Mountains. The majority of mountain ridges lie below Elevation 5,000 feet. The total area above this level is approximately 210 square miles.

GEOLOGY - SOILS:

Igneous, metamorphic, and sedimentary rock groups are all present within the County. The San Gabriel Mountain and Verdugo Hills are composed primarily of highly fractured igneous rock, with large areas of granite rock formation being exposed. Faulting and deep weathering have produced porous zones in the rock formation; however, rock masses have produced a comparatively shallow soil mantle due to the steepness of slopes which accelerates erosion of the fine material.

Other mountains and hilly reaches are composed primarily of folded and faulted sedimentary rocks, including shale, sandstone, and conglomerate. Residual soils in these areas are shallow and generally less pervious than those of the San Gabriel Mountain range.

Valley and desert soils are alluvial and vary from coarse sand and gravel near canyon mouths to silty clay, clay and sand and gravel in lower valleys and the coastal plain. The alluvial fill has accumulated by repeated deposition of sediments to depths as great as several thousand feet. This fill is quite porous in areas of relatively low clay content. Geologic structures and irregularities in the underlying bedrock divide the alluvium into several groundwater basins. Valley soils are generally well drained but there are a few areas containing perched water.

LAND USE:

The principal vegetative cover of upper mountain areas consists of various species of brush and shrubs known as chaparral. Most trees found on mountain slopes are oak, with alder, willow, and sycamore found along streambeds at lower elevations. Pine, cedar, and juniper are found in ravines at higher elevations and along high mountain summits.

The chaparral is extremely flammable, and extensive burns of the mountain vegetation frequently occur during dry, low-humidity weather accompanied by high winds. Chaparral has the ability to sprout following fire and grows rapidly to re-establish the watershed cover within a period of 5 to 10 years.

Grasses are the principal natural vegetation on the hills. Much of the hill land and nearly all of the valley land in the densely populated portion of the County south of the San Gabriel Mountains has been converted to urban and suburban use. Development of the Santa Clarita Valley and desert areas to the north of the San Gabriel Mountains is sparse at present but is proceeding rapidly.

CLIMATE:

The climate within the County varies between subtropical on the Pacific Ocean side of the San Gabriel Mountain range to arid in the Mojave Desert. Nearly all precipitation occurs during the months of December through March. Precipitation during summer months is infrequent, and rainless periods of several months are common. Snowfall at elevations above 5,000 feet is frequently experienced during the winter storms, but the snow melts rapidly except on higher peaks and the northern slopes. Snow is rarely experienced on the coastal plain.

January and July are the coldest and warmest months of the year, respectively. At the Los Angeles civic center, the 30-year average daily minimum temperature for January is 48 degrees (Fahrenheit) above zero. The average daily maximum temperature for July is 84 degrees. At Mount Wilson (Elevation 5,850 feet), the 30-year average daily minimum temperature for January is 35 degrees above zero and the average daily maximum temperature for July is 80 degrees.

HYDROMETEOROLOGIC CHARACTERISTICS:

Coastal and Mountain Areas Precipitation (rainfall) in the Los Angeles area occurs primarily in the form of winter orographic rainfall cyclones of North Pacific associated with extra tropical origin. Major storms consist of one or more frontal systems and occasionally last four days or longer. Air masses and frontal systems associated with major storms commonly extend for 500 to 1,000 miles in length and produce rainfall simultaneously throughout the County. Major storms approach Southern California from the west or northwest with southerly winds which continue until frontal passage. The mountain ranges lie directly across the path of the inflow of warm, moist air, and orographic effects greatly intensify precipitation.

The seasonal normal rainfall in Los Angeles County ranges from 27.50 inches in the San Gabriel Mountains to 7.83 inches in the desert. The annual County average for the annual rainfall for Los Angeles County is 15.65 inches. The effects of snow melt upon flood runoff is of significance in the few cases when warm spring rains from southerly storms fall on a snow pack. During major storms, temperatures throughout the County may remain above freezing. Average individual storm rainfall amounts and intensities conform to a fairly definite aerial pattern which reflects general effects of topographic differences.

Desert Areas

Summer convective rainfall is principally experienced in the upper San Gabriel Mountains and the Mojave Desert regions. In many desert areas, the most serious flooding occurs as a result of summer convective storms.

RUNOFF CHARACTERISTICS:

Mountain Areas

In mountain areas, the steep canyon slopes and channel gradients promote a rapid concentration of storm runoff. Depression storage and detention storage effects are minor in the rugged terrain. Soil moisture during a storm has a pronounced effect on runoff from the porous soils supporting a good growth of deep-rooted vegetation such as chaparral. Soil moisture deficiency is greatest at the beginning of a rainy season, having been depleted by the evapotranspiration process during the dry summer months. Precipitation during periods of soil moisture deficiency is nearly entirely absorbed by soils, and except for periods of extremely intense rainfall, significant runoff does not occur until soils are wetted to capacity. Due to high infiltration rates and porosity of mountain soils, runoff occurs primarily as subsurface flow or interflow in addition to direct runoff. Spring or base flow is essentially limited to portions of the San Gabriel Mountain range. Consequently, most streams in the County are intermittent.

Runoff from a mountain watershed recently denuded by fire exceeds that for the unburned state due to greatly increased quantities of inorganic debris present in the flow and increased direct runoff resulting from lowered infiltration rates. Debris production from a major storm has amounted to as much as 223,000 cubic yards per square mile of watershed. Boulders up to eight feet in diameter have been deposited in valley areas a considerable distance from their source.

Debris quantities equal in volume to storm runoff, representing a 100 percent bulking of runoff from a major storm, have been recorded. Where debris-laden flow traverses an alluvial fill unconfined by flood control works, flood discharges follow an unpredictable path across the debris cone formed at the canyon mouth.

Hill and Valley Areas

In hill areas, runoff concentrates rapidly from the generally steep slopes; however, runoff rates from undeveloped hill areas are normally smaller than those from mountain areas of the same size. In those hill areas which have been developed for residential use, concentration times become considerably decreased due to drainage improvement, and runoff volumes and rates have increased due to increased imperviousness. On the other hand, erosion is controlled and debris is minimized from storm flows. Debris production rates from undeveloped hill areas are normally smaller than those from mountain areas of the same size.

In highly developed valley areas, local runoff volumes have increased as the soil surface has become covered by impervious materials. Peak runoff rates for valley areas have also increased due to elimination of natural ponding areas and improved hydraulic efficiency of water carriers such as streets and storm drain systems.

Flood Control & Water Conservation

FLOODS. . .AN OLD STORY:

Floods in Los Angeles County have been recorded as far back as the days of the Mission Padres. For centuries waters have swept out of the San Gabriel Mountains causing extensive property damage and taking a great toll of lives.

Such a flood occurred in 1914 causing over \$10 million in property damage and taking many lives. As a result, the State legislature in 1915 enacted the statute creating the Los Angeles County Flood Control District. The responsibilities and authority vested in the Flood Control District were, in 1985, transferred to and are now part of the Los Angeles County Department of Public Works.

The Department, under the Flood Control Act, has two tasks. . . control the floods and conserve the water.

CONTROLLING THE WATERS:

Successful early bond issues financed construction of the 15 dams which the Department built in the San Gabriel Mountains and foothills to impound storm waters until they could be safely released. Debris basins were constructed to trap eroded materials which had caused terrible damage in the past. Flood channel improvements were undertaken to confine the waters and convey them safely through the urbanized areas to the ocean.

District engineers prepared a Comprehensive Plan in the early 1930's which would control flooding and save as much of the water as practicable when fully implemented.

Federal legislation in 1936 brought the United States Army Corps of Engineers into the local flood control picture. Since that time, the two agencies have been jointly pursuing implementation of the Comprehensive Plan. The Department also cooperates with the United States Natural Resources Conservation Service and Forest Service in erosion control.

CONSERVING THE WATERS:

In addition to its flood control program, the Department has the equally important mission of conserving as much of the storm and other waste waters as practicable. The use of water conservation facilities in or adjacent to river channels and their tributaries permits water to be percolated into groundwater aquifers or basins for later pumping and supply to consumers. These water conservation facilities are located in areas where the underlying soils are composed of porous sands and gravel formations. Some are shallow and resemble rice paddies, while others are deep basins which were once gravel pits.

The importance of this activity is apparent when it is realized that about 30 to 40 percent of the water used in the County is pumped from groundwater supplies. The growth of the County, combined with periodic droughts, seriously depleted these supplies on numerous occasions throughout the history of the County.

Other major conservation efforts by the Department include combating the serious salt water intrusion into groundwater supplies inland from the Pacific Ocean and utilizing imported and reclaimed water to help replenish groundwater supplies.

ORGANIZED TO DO THE JOB:

Day-to-day administration of Department affairs is vested in the Director of Public Works who is appointed by and responsible to the Los Angeles County Board of Supervisors. A part of the Department's activities involve the planning, design and construction of flood control and water conservation facilities, and the operation and maintenance of dams, debris basins, spreading grounds, channels, and storm drains.

P R E C I P I T A T I O N

Public Works operates and maintains a network of rain gages to collect rainfall (precipitation) data for the purposes of in-house engineering and design of flood control and water conservation facilities.

RAINFALL AMOUNTS:

Although Public Works operates and maintains 242 rain gages, including those which record amounts for durations ranging from 5 minutes to 24 hours, only [daily](#) and [annual](#) amounts for the report period are listed herein. Additional data (e.g., intensities) can be obtained by contacting the [custodian](#) of hydrologic records.

ALERT SYSTEM

Automated Local Evaluation in Real Time:

Public Works operates and maintains a state-of-the-art ALERT computer system to monitor meteorological conditions in the County and Southern California in real time, i.e., as they occur. The system includes a network of field sensors that monitor and receive precipitation amounts including rainfall data from the Corps of Engineers' Los Angeles Telemetry System.

COOPERATION:

The cooperation of observers in furnishing rainfall data to Public Works as a public service is appreciated. The effort of the many agencies and individuals who have so freely cooperated with us in the collection of this data have resulted in the large number of complete records for the period covered by this report.

Data from 22 stations of Public Works' records are reported and published by the National Oceanic and Atmospheric Administration (NOAA).

CUSTODIAN:

Unpublished information may be obtained by contacting:

County of Los Angeles
Department of Public Works
Water Resources Division
P.O. Box 1460
Alhambra, CA 91802-1460

...or telephone: (626) 458-6120

P R E C I P I T A T I O N

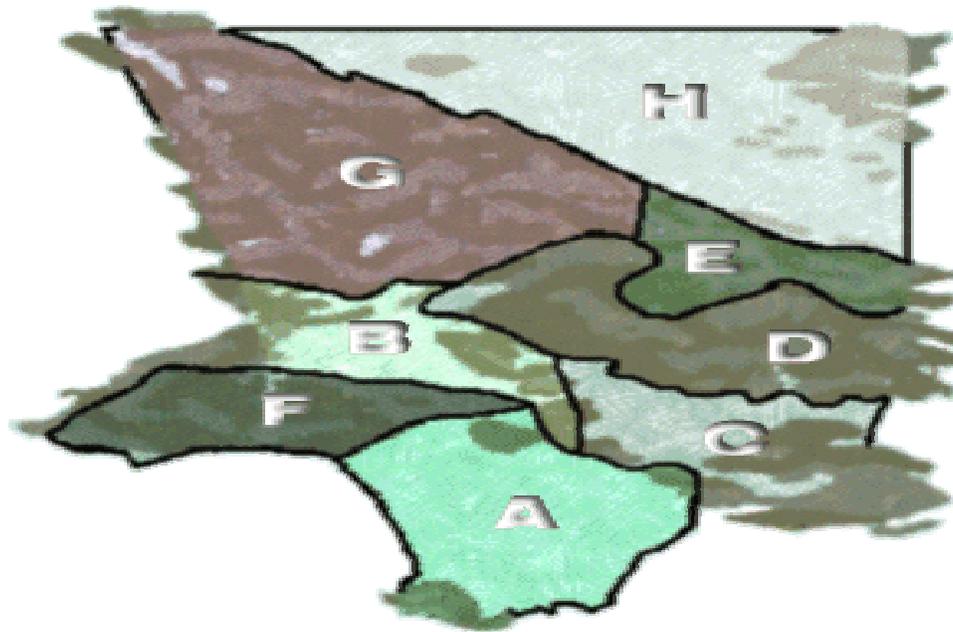
RAINFALL INDICES

USING SELECTED STATIONS
FOR THE PERIOD OCTOBER 1, 2001 THROUGH SEPTEMBER 30, 2002 **

Area	Percent of Area	Seasonal Normal (inches)	Total Precipitation	Percent of Seasonal Normal
A. Coastal Plain	14.1%	13.71	3.66	27%
B. San Fernando Valley	7.9%	17.62	7.00	40%
C. San Gabriel Valley	7.5%	17.64	5.32	30%
D. San Gabriel Mountains	13.4%	27.50	8.81	32%
E. Little Rock, Big Rock	4.5%	18.61	5.20	28%
F. Santa Monica Mountains	5.7%	19.96	7.23	36%
G. Santa Clara	18.9%	16.64	5.35	32%
H. Desert	28.0%	7.83	2.47	32%
County*	100.0%	15.65	5.00	32%
Los Angeles (Station No. 716)		15.51	4.16	27%
Cogswell Dam (Station No. 334-B)		32.88	9.17	28%

* - Seasonal Normal and Total Precipitation to Date sections of this line are derived from Area Weighted Average.

** - Data Revised March 2011



PRECIPITATION

Active Rain Gage Stations During Water Year 2001 - 2002

Station No.	Station Name	Gage Type	Thomas Guide Page	North Latitude	West Longitude	Gage Elev. (ft)	Season Total (in)	Notes
5B	Calabasas	S	100 F3	34-09-24	118-38-14	924	4.63	
6	Topanga Patrol Station	DA	590 A7	34-05-03	118-35-57	745	6.96	
10A	Bel Air Hotel	DA	592 B7	34-05-11	118-26-45	540	0.64	I
11D	Upper Franklin Canyon Reservoir	SP	592 F2	34-07-10	118-24-35	867	7.18	
13C	North Hollywood-Lakeside	S	563 B5	34-08-46	118-21-13	550	6.44	
17	Sepulveda Canyon At Mulholland	DA	561 E7	34-07-51	118-29-26	1425	6.47	E
20B	Girard Reservoir	S	559 J4	34-09-07	118-36-36	986	5.16	A
21B	Woodland Hills	S	560 A2	34-10-14	118-35-33	875	4.31	
23B	Chatsworth Reservoir	SP	529 G1	34-13-44	118-37-18	900	4.87	A
25C	Northridge-L.A.D.W.P.	SP	530 H1	34-13-52	118-32-28	810	4.27	A
32C	Newhall - Fire Station 73	AP S	4550 J7	34-23-07	118-31-54	1243	6.73	E
33A	Pacoima Dam	SA	4642 F7	34-19-48	118-23-59	1500	8.98	
42C	Redondo Beach-City Hall	S	762 G5	33-50-43	118-23-20	70	3.42	
43D	Palos Verdes Estates	S	792 H4	33-47-58	118-23-29	216	4.31	
44A	Point Vicente Lighthouse	DA	822 F5	33-44-30	118-24-38	125	4.04	
46D	Big Tujunga Dam	SA	4725 C6	34-17-40	118-11-14	2315	8.60	
47D	Clear Creek-City School	DA	505 F1	34-16-38	118-10-12	3150	11.31	
53D	Colby's	DA	4726 C4	34-18-05	118-06-39	3620	2.12	I
54C	Loomis Ranch-Alder Creek	DA	4557 A4	34-20-55	118-02-54	4325	4.80	
57B	Camp Hi Hill (Opids)	DA	506 E3	34-15-18	118-05-41	4250	12.94	I
63C	Santa Anita Dam	S DA	537 E2	34-11-03	118-01-12	1400	9.81	
68C	Sawpit Dam	SA	537 J7	34-10-30	117-59-07	1375	11.72	
82F	Table Mountain	S	4561 G6	34-22-56	117-40-39	7420	6.02	
83B	Big Pines Recreation Park	DA	4561 F6	34-22-44	117-41-20	6860	7.38	E
89B	San Dimas Dam	SA	570 F2	34-09-10	117-46-17	1350	10.33	
93C	Claremont-Police Station	8.81	601 C3	34-05-45	117-43-18	1170	6.24	
95	San Dimas-Fire Warden	S	600 B3	34-06-26	117-48-19	955	5.96	E
96C	Puddingstone Dam	S DA	600 B4	34-05-31	117-48-24	1030	6.60	
106F	Whittier City Yard	S	677 B5	33-58-57	118-02-50	300	3.48	
107D	Downey-Fire Department	S	705 J7	33-55-48	118-08-47	110	2.80	E
108D	El Monte Fire Station	S	597 C7	34-04-30	118-02-30	275	6.22	E
109D	West Arcadia	S	566 G7	34-07-42	118-04-22	547	7.36	E
120	Vincent Patrol Station	S	4375 H6	34-29-17	118-08-27	3135	4.63	
125B	San Francisquito Canyon Ph#1 - Saugus	SP	X	34-35-25	118-27-15	2105	7.31	

LEGEND

8.81	8.81 inch diameter no-recording gage owned by the Public Works
AP	Automatic recording gage owned by outside interest
DA	Daily Automatic
S	Standard 8 inch diameter non-recording gage owned by the Public Works
SA	Automatic recording gage owned by the Public Works
SP	Standard 8 inch diameter non-recording gage owned by outside interest

NOTES:

E	Estimate
A	Accumulated Total
I	Incomplete
TI	Temporary Inactive
NA	Not Available

PRECIPITATION

Active Rain Gage Stations During Water Year 2001 - 2002

Station No.	Station Name	Gage Type	Thomas Guide Page	North Latitude	West Longitude	Gage Elev. (ft)	Season Total (in)	Notes
128B	Elizabeth Lake	DA	X	34-36-28	118-33-40	2075		NA
134C	Puddingstone Diversion	8.81	570 F5	34-07-52	117-46-55	1160	7.63	
144	Sierra Madre Dam	S	537 B4	34-10-34	118-02-32	1100	9.63	A
156B	La Mirada-Standard Oil Company	DA	737 F5	33-52-59	118-01-00	75	3.46	E
158	Tanbark Flats	DA	IX	34-12-20	117-45-40	2750	6.48	I
167C	Arcadia Pumping Plant #1	S	567 D2	34-09-31	118-02-02	611	7.37	
169	Sierra Madre Pumping Plant	SP	567 B2	34-09-47	118-02-21	700	8.69	E
170F	Potrero Heights	S	636 H5	34-02-32	118-04-44	285	5.15	
172B	Duarte	S	568 C4	34-08-26	117-58-02	548	7.30	
174B	Glendora	S	570 A6	34-07-43	117-49-08	930	8.00	E
175B	La Canada Irrigation District	S	535 A1	34-13-39	118-12-40	2020	10.06	
176	Altadena-Rubio Canyon	SP	536 A1	34-10-55	118-08-15	1125	7.91	
193C	Covina-Nigg	S	599 D5	34-04-55	117-52-25	575		NA
196C	La Verne-Fire Station	S	600 G2	34-06-06	117-46-20	1050	4.51	
201D	Hacienda Heights	DA A	677 J4	33-59-40	117-59-28	875		NA
210C	Brand Park	DA	534 C6	34-11-18	118-16-20	1250	5.58	
216D	Glendale - Jackson	S	564 F5	34-09-54	118-15-01	615	6.74	
223C	Big Dalton Dam	SA	570 B1	34-10-06	117-48-36	1587	10.60	
225	Montana Ranch-Lakewood	S	766 C4	33-50-35	118-07-09	47	2.27	
227D	San Gabriel-Bruington-Orton	S	596 D2	34-06-18	118-06-32	472	6.59	
228C	Beverly Hills City Hall	S	632 G1	34-06-00	118-23-40	245	7.13	
235C	Henniger Flats	8.81	536 F5	34-11-38	118-05-17	2550	7.88	
237C	Stone Canyon Reservoir	SP	591 J3	34-06-21	118-27-13	865	7.87	
238	Hollywood Dam	SP	593 F2	34-07-04	118-19-55	750	6.77	
250D	Acton Camp	DA	4465 A5	34-27-02	118-11-55	2625	2.07	I
251C	La Crescenta	S	534 F1	34-13-20	118-14-40	1440	8.95	A
252C	Castaic Lake	SP AP	4369	34-29-53	118-36-53	1150	6.40	E
255F	Mount San Antonio College-Spadra	S	639 J4	34-02-41	117-50-19	720	5.11	A
261F	Acton-Escondido Canyon	DA	4374 B6	34-29-42	118-16-22	2960	4.15	
269D	Diamond Bar Fire Station	SP	680 B2	33-59-50	117-48-55	870	5.55	
277	Sawmill Mountain	S	X	34-43-15	118-35-00	3700	7.31	
280C	Flintridge-Sacred Heart	DA	535 E7	34-10-54	118-11-08	1600	7.84	
283C	Crystal Lake-East Pine Flat	DA	4651 G1	34-19-02	117-50-28	5370	8.92	E
287B	Glendora-City Hall	8.81	569 E5	34-08-09	117-51-52	785	9.57	

LEGEND

8.81	8.81 inch diameter no-recording gage owned by the Public Works
AP	Automatic recording gage owned by outside interest
DA	Daily Automatic
S	Standard 8 inch diameter non-recording gage owned by the Public Works
SA	Automatic recording gage owned by the Public Works
SP	Standard 8 inch diameter non-recording gage owned by outside interest

NOTES:

E	Estimate
A	Accumulated Total
I	Incomplete
TI	Temporary Inactive
NA	Not Available

PRECIPITATION

Active Rain Gage Stations During Water Year 2001 - 2002

Station No.	Station Name	Gage Type	Thomas Guide Page	North Latitude	West Longitude	Gage Elev. (ft)	Season Total (in)	Notes
291	Los Angeles-96th and Central	DA	704 E5	33-56-56	118-15-17	121	3.72	
292D	Encino Reservoir	S	561 B4	34-08-56	118-30-57	1075	5.26	A
293B	Los Angeles Reservoir	SP	481 E5	34-17-18	118-28-54	1150	7.88	
294B	Sierra Madre-Mira Monte Pumping Plant	SP	567 A1	34-10-11	118-02-51	985	8.84	E
298C	Gorman - Sheriff	DA	X	34-47-47	118-51-27	3835	3.79	
299F	Little Rock - Schwab	S	4287 H7	34-32-12	117-58-43	2800	2.25	
306H	Zuma Beach	S	667 B1	34-01-15	118-49-42	15	7.31	
321	Pine Canyon Patrol Station	DA	4102 C3	34-40-24	118-25-45	3286	4.02	E
322	Munz Valley Ranch	S	4013 A4	34-42-50	118-21-15	2600	3.44	E
334B	Cogswell Dam	SA	XI	34-14-37	117-57-35	2300	9.80	
336	Silver Lake Reservoir	SP	537 A1	34-06-08	118-15-54	445	6.23	
338C	Mt. Wilson-Observatory	SP	571 G6	34-14-07	118-04-28	5709	13.26	
352B	Lechuza Patrol Station	DA	594 A5	34-04-38	118-52-47	1620	10.67	E
355B	Los Angeles City College	AP S	594 A5	34-05-14	118-17-28	310		NA
356C	Spadra-Lanterman Hospital	S DA	640 B4	34-02-31	117-48-35	690	5.48	
372	San Francisquito Power House No.2	SP DA	X	34-32-02	118-31-27	1580	6.58	
373C	Briggs Terrace	S	504 H6	34-14-17	118-13-27	2200	11.90	
377F	Lake Sherwood Estates	SP AP	557 A4	34-08-26	118-52-31	960	7.46	I
379B	San Gabriel-East Fork	DA	510 B5	34-14-09	117-48-18	1600	11.87	
387B	Covina City Yard	SP	599 B5	34-05-02	117-53-57	508	6.52	
388D	Paramount-County Fire Department	8.81	735 G4	33-53-50	118-10-02	80	6.09	A
390B	Morris Dam	SP	539 C6	34-10-53	117-52-43	1210	9.63	
391C	Montebello-Fire Department	8.81	676 E2	34-01-08	118-06-15	250	2.08	I
394	Highland Park	S	595 E1	34-07-06	118-10-39	620		NA
395C	Olive View Sanitarium	DA	481 J1	34-19-29	118-26-55	1425	7.63	E
402F	Cedar Springs	DA	XI	34-21-21	117-52-34	6780	8.20	
405B	Soledad Canyon	S	4463 J6	34-26-23	118-17-33	2150	4.86	A
406C	West Azusa	S	598 H2	34-06-53	117-54-56	505	6.91	
409B	Pyramid Reservoir	SP	X	34-40-34	118-46-47	2505	3.49	
415	Signal Hill-City Hall	S DA	795 G3	33-47-49	118-10-03	140	3.44	
423C	Angeles Forest-Aliso	DA	XI	34-24-57	118-05-26	3920	5.90	E
425B	San Gabriel Dam	S DA	509 E3	34-12-19	117-51-38	1481	10.93	
434	Agoura	DA	558 B7	34-08-08	118-45-08	800	3.32	I
435	Monte Nido	DA	628 J1	34-04-41	118-41-35	600	8.20	

LEGEND

8.81	8.81 inch diameter no-recording gage owned by the Public Works
AP	Automatic recording gage owned by outside interest
DA	Daily Automatic
S	Standard 8 inch diameter non-recording gage owned by the Public Works
SA	Automatic recording gage owned by the Public Works
SP	Standard 8 inch diameter non-recording gage owned by outside interest

NOTES:

E	Estimate
A	Accumulated Total
I	Incomplete
TI	Temporary Inactive
NA	Not Available

PRECIPITATION

Active Rain Gage Stations During Water Year 2001 - 2002

Station No.	Station Name	Gage Type	Thomas Guide Page	North Latitude	West Longitude	Gage Elev. (ft)	Season Total (in)	Notes
436C	Hansen Dam	DA	502 G3	34-16-08	118-23-59	1110	4.17	
446	Aliso Canyon-Oat Mountain	DA	480 F3	34-18-53	118-33-25	2367	10.32	
447C	Carbon Canyon	S	629 F6	34-02-18	118-38-56	50	6.21	E
449B	Eaton Wash Dam	S DA	566 E1	34-10-06	118-05-33	880	5.97	A
453D	Devil's Gate Dam	DA	535 E7	34-10-53	118-10-27	980	6.01	A
455B	Lancaster-State Hwy Maintenance Sta.	S	4105 J1	34-40-57	118-08-02	2395	1.86	
462B	Los AngelesHillcrest Country Club	S	632 F4	34-02-54	118-24-06	185	3.98	E
465C	Sepulveda Dam	S DA	561 G2	34-10-06	118-28-11	683	4.38	
482	Los Angeles-U.S.C.	S	674 A1	34-01-14	118-17-15	208	4.70	
488B	Kagel Canyon Patrol Station	S	482 D5	34-17-45	118-22-30	1450	7.68	
491D	Pacific Palisades	S	630 J6	34-02-22	118-31-43	293	5.68	
492A	Chilao - State Highway Maintenance Sta.	DA	4557 F1	34-19-05	118-00-30	5275		NA
493D	Sand Canyon-Macmillan	DA	4552 D7	34-23-17	118-24-50	1805		NA
497	Claremont-Slaughter	S	571 B7	34-07-35	117-43-55	1350	7.39	
517B	Lewis Ranch	S DA	XI	34-25-12	117-53-11	4615	2.40	I
564C	Llano	S	4379 F5	34-29-13	117-50-02	3390	2.10	
591B	Santa Anita Reservoir	SP	536 E7	34-11-08	118-06-16	1205	9.08	
598C	Neenach-Erstad	S	X	34-46-28	118-35-55	3062		NA
598D	Neenach-Check 43-California D.W.R.	SP	X	34-47-40	118-37-15	2965	3.20	E
610B	Pasadena-City Hall	SP	565 J4	34-08-54	118-08-36	864	7.82	
612B	Pasadena-Chlorine Plant	SP	535 F3	34-12-04	118-09-49	1160	8.02	
613C	Pasadena Fire Station	SP	566 A6	34-07-15	118-08-05	779	7.63	
619	San Antonio Canyon-Sierra Power House	DA	XI	34-12-29	117-40-26	3110	7.04	I
627	San Gabriel Canyon-Power House	SP DA	568 J3	34-09-20	117-54-28	744	8.78	
634C	Santa Monica	S	671 E2	34-00-43	118-29-27	94	3.71	
662D	Long Beach Airport	SP	791 J1	33-49-00	118-09-00	34	2.21	
680B	Westwood (U.C.L.A.)	SP	632 B1	34-04-10	118-26-30	430	6.49	
683B	Sunset Ridge	S	535 F5	34-12-53	118-08-47	2110	9.78	
694G	Big Tujunga Canyon-Cmp	DA	X	34-17-22	118-17-17	1525	6.17	E
695B	Tujunga Canyon-Vogel Flat	S	X	34-17-12	118-13-32	1850	9.63	
716	Los Angeles-Ducommun St.	SP A AP	634 H4	34-03-09	118-14-13	306	5.46	
726C	Angeles Crest Guard Station	S	X	34-14-01	118-11-04	2300		NA
734C	Los Angeles International Airport	SP	702 G5	33-56-25	118-23-44	105	4.24	
735H	Bell Canyon	DA	529 D6	34-11-40	118-39-23	895	4.00	

LEGEND

8.81	8.81 inch diameter no-recording gage owned by the Public Works
AP	Automatic recording gage owned by outside interest
DA	Daily Automatic
S	Standard 8 inch diameter non-recording gage owned by the Public Works
SA	Automatic recording gage owned by the Public Works
SP	Standard 8 inch diameter non-recording gage owned by outside interest

NOTES:

E	Estimate
A	Accumulated Total
I	Incomplete
TI	Temporary Inactive
NA	Not Available

PRECIPITATION

Active Rain Gage Stations During Water Year 2001 - 2002

Station No.	Station Name	Gage Type	Thomas Guide Page	North Latitude	West Longitude	Gage Elev. (ft)	Season Total (in)	Notes
742C	San Gabriel Fire Department	SP	596 F4	34-06-11	118-05-56	445	6.47	E
749B	Burbank Valley Pump Plant	SP	533 C6	34-11-11	118-20-54	655	5.24	
750B	Palmdale-F.A.A. Airport	S	4196 E5	34-37-20	118-05-00	2528	1.87	
771B	Pacific Palisades-Riviera Country Club	S	631 D4	34-03-03	118-29-58	315	2.30	I
794	Lower Franklin Reservoir	SP	592 F6	34-05-43	118-24-40	585	6.09	
795	Pasadena-Jourdan	SP	566 F5	34-08-52	118-05-14	705	7.22	
797	De Soto Reservoir	SP	500 B2	34-16-17	118-35-12	1127	6.90	
801B	Magic Mountain	S	X	34-23-18	118-19-27	4720	9.92	E
802C	Eagle Rock Reservoir	SP	565 C5	34-08-47	118-11-20	970	6.98	A
807	Ascot Reservoir	SP	595 C6	34-04-46	118-11-14	620	6.42	
1005B	Mint Canyon Fire Station	S	X	34-30-35	118-21-40	2300	0.45	I
1006	San Pedro-City Reservoir	SP	824 B4	33-44-37	118-17-47	150	4.05	
1011B	Palos Verdes Fire Station	S	823 D3	33-45-25	118-21-11	1275	5.47	
1012B	Castaic Junction	SA	4459 H7	34-26-18	118-36-43	1005	3.37	E
1017B	Little Rock Creek Above dam	DA	XI	34-28-41	118-01-24	3280		NA
1029C	Tujunga-Mill Creek Summit ranger station	AP S	X	34-23-22	118-04-49	4990	5.70	A
1037	Arcadia-Arboretum	S	567 A5	34-08-48	118-02-59	565	7.30	
1041B	Santa Fe Dam	S	598 A	34-07-04	117-58-24	427	7.16	
1051B	Canoga Park-Pierce College	SP	530 D	34-10-51	118-34-23	800	5.14	
1058B	Palmdale	SP	4196	34-35-17	118-05-31	2595	2.23	
1060B	Little Rock-Sycamore Camp	DA	XI	34-25-02	117-58-13	4000		NA
1070	Manhattan Beach	S	732 J	33-53-00	118-23-19	182	4.36	
1071B	Descanso Gardens	S	535 B	34-12-07	118-12-46	1325	8.92	
1072B	Little Tujunga Ranger Station	SP	4723	34-17-37	118-21-38	1275	6.14	I
1074	Little Gleason	DA	X	34-22-43	118-08-57	5600	7.76	
1076B	Monte Cristo Ranger Station	SP	XI	34-19-42	118-07-20	3360	6.56	
1081B	Glendale-Gregg	SP	534 F	34-11-45	118-14-30	1350	9.22	
1087	Green-Verdugo Pumping Plant	S	503 D	34-15-25	118-20-11	1340	6.64	
1088B	La Habra Heights-Mutual Water Co.	SA	708 D	33-56-55	117-57-51	445	5.06	
1095	Orange County Reservoir	SP	OC 2 F	33-56-07	117-52-58	660	4.63	
1107D	La Tuna Debris Basin	DA	503 E	34-14-13	118-19-37	1160	6.23	
1113	Dominguez Water Co.	DA	764 J	33-49-54	118-13-30	30	2.84	
1114B	Whittier Narrows Dam	AP	636 H	34-01-29	118-05-02	239	4.65	
1115	San Antonio Dam	SP	571 J	34-09-24	117-40-20	2120	9.13	

LEGEND

8.81	8.81 inch diameter no-recording gage owned by the Public Works
AP	Automatic recording gage owned by outside interest
DA	Daily Automatic
S	Standard 8 inch diameter non-recording gage owned by the Public Works
SA	Automatic recording gage owned by the Public Works
SP	Standard 8 inch diameter non-recording gage owned by outside interest

NOTES:

E	Estimate
A	Accumulated Total
I	Incomplete
TI	Temporary Inactive
NA	Not Available

PRECIPITATION

Active Rain Gage Stations During Water Year 2001 - 2002

Station No.	Station Name	Gage Type	Thomas Guide Page	North Latitude	West Longitude	Gage Elev. (ft)	Season Total (in)	Notes
1126A	Los Angeles-East Valley	8.81	532 E	34-12-30	118-24-35	780	4.49	A
1129B	Nicholas Canyon	S	626 A	34-02-52	118-54-57	340	7.23	
1152	Clear Creek Ranger Station	S	XI	34-16-15	118-09-11	3625	10.43	I
1158	Torrance Municipal Airport	S	793 E	33-47-59	118-20-08	102	4.49	
1166B	Mile High Ranch	S	XI	34-24-40	117-46-15	5280	2.86	E
1191	Bear Divide	S	128 F6	34-21-35	118-23-37	2700	11.04	A
1194	Santa Ynez Reservoir	S	630 E	34-04-23	118-33-59	735	10.60	A
1212	Lancaster FSS/FAA	SP	4014	34-44-00	118-13-00	2340	2.06	
1216	Rancho Palos Verdes	S	822 H	33-45-10	118-23-32	780	4.19	
1217	Los Angeles Country Club	S	632 D	34-04-10	118-25-17	380	6.50	
1222	Northridge-Garland	8.81	501 C	34-14-17	118-30-59	911	6.29	
1223	Woodland Hills-Sherman	8.81	559 E	34-10-06	118-38-57	1035	4.74	A
1239	Malibu-Big Rock Mesa	DA	629 H	34-02-34	118-37-16	725	0.67	I
1240	Pearblossom-Calif.D.W.R. Booster Sta.	SP	4378	34-30-32	117-55-15	3050	2.13	
1242	Rocky Buttes	DA	XI	34-39-00	117-51-48	2540	1.82	I
1243	Redman	DA	XI	34-45-52	117-55-30	2360	1.59	E
1244	Lancaster-Roper	S DA	4107	34-40-27	118-00-37	2450	2.81	E
1245	Quartz Hill Hall	DA	4104	34-40-28	118-14-40	2395		NA
1246	Scott Ranch	S DA	XI	34-46-59	118-28-10	2710	1.87	I
1247	North Lancaster	DA	3926	34-45-41	118-07-30	2310	1.88	
1248	Mescal-Smith	DA	XI	34-28-03	117-42-40	3810	1.22	I
1249	Relay	DA	XI	34-45-43	117-47-55	3140	1.87	E
1250	Avek	DA	4288	34-32-21	117-55-23	2825	1.73	E
1251	Palos Verdes-Whites Point	SP	853 H	33-42-50	118-19-02	100	2.53	
1252	Palos Verdes Landfill	SP	793 D	33-45-40	118-20-03	400	5.57	
1253	Carson-County Sanitation	SP	794 C	33-48-07	118-16-58	40	3.36	
1254	Long Beach Reclamation Plant	SP	796 G	33-48-11	118-05-20	20	4.08	
1255	Los Coyotes Reclamation Plant	SP	736 E	33-53-05	118-06-24	70	4.07	
1256	South Gate Transfer Station	SP	705 G	33-56-40	118-09-56	100	2.96	
1257	San Jose Creek Reclamation Plant	SP	637 F	34-01-55	118-01-16	275	5.76	
1258	Puente Hills Landfill	SP	637 D	34-01-35	118-01-49	300	5.06	E
1259	Whittier Narrows Reclamation Plant	SP	636 J	34-03-59	118-03-54	225	5.25	
1260	Spadra Landfill	SP	640 A	34-02-36	117-49-50	700	5.54	E
1261	La Canada Reclamation Plant	SP	535 D	34-13-00	118-11-14	1800	8.61	

LEGEND

8.81	8.81 inch diameter no-recording gage owned by the Public Works
AP	Automatic recording gage owned by outside interest
DA	Daily Automatic
S	Standard 8 inch diameter non-recording gage owned by the Public Works
SA	Automatic recording gage owned by the Public Works
SP	Standard 8 inch diameter non-recording gage owned by outside interest

NOTES:

E	Estimate
A	Accumulated Total
I	Incomplete
TI	Temporary Inactive
NA	Not Available

PRECIPITATION

Active Rain Gage Stations During Water Year 2001 - 2002

Station No.	Station Name	Gage Type	Thomas Guide Page	North Latitude	West Longitude	Gage Elev. (ft)	Season Total (in)	Notes
1262	Saugus Reclamation Plant	SP	4550	34-24-48	118-32-23	1150	7.61	
1263	Valencia Reclamation Plant	SP	4549	34-25-55	118-37-13	1000	3.83	
1264	Calabasas Landfill	SP	558 G	34-08-25	118-42-35	800	5.26	E
1265	Scholl Canyon Landfill	SP	565 C	34-08-38	118-11-07	1000	6.00	
1266	Mission Canyon Landfill	SP	591 G	34-08-40	118-28-45	1150	5.48	E
1267	Lancaster Reclamation Plant	SP	3925	34-46-38	118-09-11	2302	1.75	E
1268	Palmdale Reclamation Plant	SP	4196	34-35-30	118-05-10	2565	2.49	
1271	Pomona Waste Reclamation Plant	SP	640 E	34-03-18	117-47-34	786	5.15	
1274	Whittier - Valna Drive	S	707 F	33-57-39	118-01-10	255	5.49	
1277	DPW Headquarters, Fremont	DA	595 H6	34-05-12	118-09-01	450	5.71	
1278	La Canada Flintridge	S	535 B1	34-13-22	118-12-17			NA

LEGEND

8.81	8.81 inch diameter no-recording gage owned by the Public Works
AP	Automatic recording gage owned by outside interest
DA	Daily Automatic
S	Standard 8 inch diameter non-recording gage owned by the Public Works
SA	Automatic recording gage owned by the Public Works
SP	Standard 8 inch diameter non-recording gage owned by outside interest

NOTES:

E	Estimate
A	Accumulated Total
I	Incomplete
TI	Temporary Inactive
NA	Not Available

P R E C I P I T A T I O N

DAILY RAINFALL SUMMARY

[See Appendix A](#)

EVAPORATION

EVAPORATION

Monthly and seasonal data for 13 active evaporation stations were reported to the Department during the reporting period. Daily records of active and inactive Department stations, as well as some stations of other agencies, are available in the Department's files. This data can be obtained by contacting the [custodian](#) of hydrologic records.

COOPERATION:

The Department receives evaporation data from The Metropolitan Water District, Palmdale Water District, California Department of Water Resources, and Descanso Gardens.

LENGTH OF RECORD:

The Los Angeles County Flood Control District (now administered by the Department) installed its first land pan in March 1929 at Santa Anita Dam. The Department has 30 evaporation stations which have records of 15 seasons or more in the Department's files.

CUSTODIAN:

Unpublished information may be obtained by contacting:

County of Los Angeles
Department of Public Works
Water Resources Division
P.O. Box 1460
Alhambra, CA 91802-1460

...or telephone: (626) 458-6120

EVAPORATION

ACTIVE STATIONS

NO.	STATION NAME	EQUIPMENT	ELEV OF PAN	THOMAS GUIDE	NORTH LAT	WEST LONG
33 A	Pacoima Dam	24X36 S	1500 ft.	482 F1	34-19-48	118-23-59
46 D	Big Tujunga Dam	24X36 S	2315 ft.	xi	34-17-40	118-11-14
63 C	Santa Anita Dam	24X36 S	1400 ft.	710 B2	34-11-03	118-01-12
89 B	San Dimas Dam	24X36 S	1350 ft.	470 F2	34-09-10	117-46-17
96 C	Puddingstone Dam	24X36 S	1030 ft.	600 A4	34-05-31	117-48-24
223 B	Big Dalton Dam	24X36 S	1587 ft.	570 B4	34-10-06	117-48-36
252 C	Castaic Reservoir	48X10 S	1150 ft.	4369 H6	34-29-53	118-36-53
334 B	Cogswell Dam	24X36 S	2300 ft.	ix	34-14-37	117-57-35
390 B	Morris Dam	72X36 US	1210 ft.	ix	34-10-53	117-52-43
409 B	Pyramid Reservoir	48X10 S	2505 ft.	593 E1	34-40-34	118-46-47
425 B	San Gabriel Dam	24X36 S	1481 ft.	ix	34-12-19	117-51-38
1058 B	Palmdale	24X36 S	2595 ft.	4196 E6	34-35-17	118-05-31
1071 B	Descanso Gardens	24X36 S	1325 ft.	535 B4	34-12-07	118-12-46

FOOTNOTES

24X36 S Screened land pan, 24 inches in diameter by 36 inches deep.

48X10 S Screened land pan, 48 inches in diameter by 10 inches deep.

72X36 US Unscreened land pan, 72 inches in diameter by 36 inches deep

EVAPORATION

MONTHLY SUMMARY

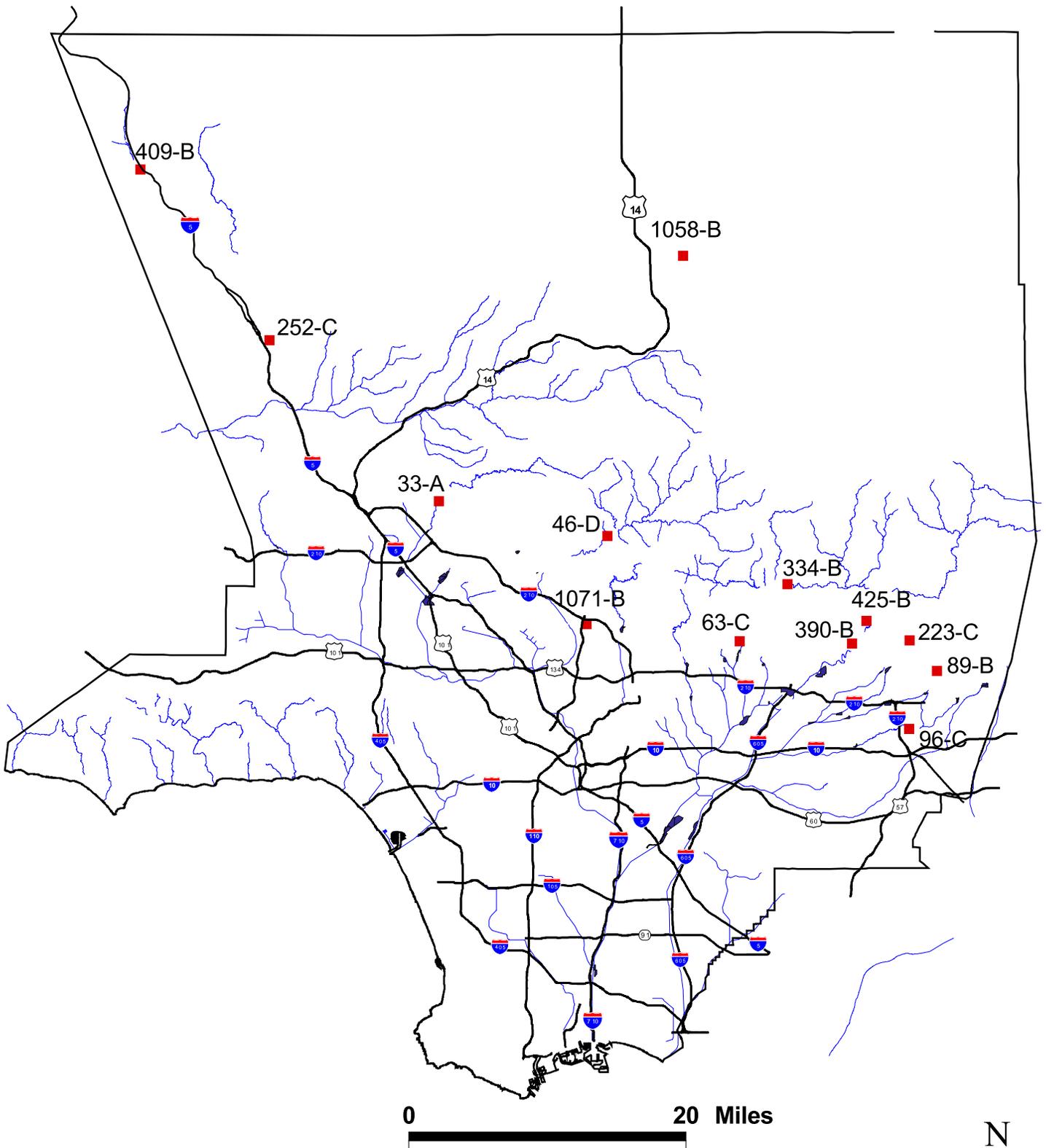
ID	Station Name	Oct	Nov	Dec	Jan	Feb	Mar	Apr	May	Jun	Jul	Aug	Sep	Total
33-A	Pacoima Dam	7.83	5.62	4.79	6.09	7.56	7.13	5.18	6.63	7.21	8.68	8.99	10.64	86.32
46-D	Big Tujunga Dam	9.35	4.65	2.63	3.91	4.49	5.32	5.61	8.77	11.93	15.38	14.39	12.14	98.54
63-C	Santa Anita Dam	4.68	3.07	2.71	2.87	3.40	3.44	2.86	[3.47]	4.48	5.92	6.03	5.95	[48.84]
89-B	San Dimas Dam	3.75	1.57	1.13	1.40	1.73	2.84	3.49	5.25	6.81	8.12	7.54	6.11	49.70
96-C	Puddingstone Dam	4.35	2.38	1.69	2.03	2.46	3.93	4.04	5.69	6.82	8.23	7.33	6.75	55.66
223-C	Big Dalton Dam	3.75	1.82	1.32	2.21	2.00	4.38	2.95	4.64	6.02	7.27	6.53	5.96	48.82
252-C*	Castaic Dam	6.71	4.06	3.44	3.45	4.98	[]	[7.18]	10.06	11.22	10.87	[]	[]	[61.97]
334-B	Cogswell Dam	4.55	2.13	1.12	1.32	1.71	2.72	3.51	5.35	7.68	9.01	7.98	6.23	53.27
390-B	Morris Dam	6.76	3.73	3.01	3.59	4.54	5.35	5.52	7.46	9.19	11.01	10.00	9.58	79.74
409-B*	Pyramid Reservoir	7.36	4.36	4.24	3.54	5.41	[]	[8.61A]	11.07	22.30	14.93	[]	[]	[81.82A]
425-B	San Gabriel Dam	6.49	3.60	2.71	3.15	3.83	4.56	4.54	5.96	7.43	8.78	8.84	8.14	67.98
1058-B	Palmdale	6.22	3.08	1.85	2.19	3.18	5.09	7.72	9.77	12.22	14.30	12.97	8.75	87.33
1071-B	Descanso Gardens	3.26	1.64	1.11	1.44	1.67	2.92	3.38	4.58	6.30	7.77	6.80	5.75	46.58

Units are in inches.

[] Missing Data.

*Department of Water Resources

Evaporation Locations



LEGEND

■ Evaporation Station



R U N O F F

RUNOFF

Public Works operates 65 stream gaging stations (62 water-stage recording stations and 3 witness gages). Daily mean flow data and maximum instantaneous flow for each station were collected for these [stations](#) during the reporting period. Additional data can be obtained by contacting the [custodian](#) of hydrologic records.

ALERT SYSTEM

Automated Local Evaluation in Real Time

Public Works operates and maintains the ALERT computer system to monitor meteorological conditions at 23 river stage locations in the County.

Public Works' ALERT System also receives rainfall, streamflow, and reservoir data from the Corps of Engineers' Los Angeles Telemetry System.

COOPERATION:

Public Works receives or has access to streamflow data from other agencies. Data from 5 of Public Works' stations are published in the United States Geological Survey's annual water supply papers.

Agencies with which Public Works exchanges data are:

- U.S. Geological Survey, Water Resource Division
- U.S. Army Corps of Engineers
- State Department of Water Resources
- The Metropolitan Water District of Southern California
- San Gabriel River Water Committee

USGS MONITORING

OF STREAM GAGING STATIONS

During Water Year 2001-02, Public Works contracted with the U.S. Geological Survey (USGS) to maintain, monitor, and collect data from several stream gaging stations in the Northern part of the County of Los Angeles. The data they have collected is summarized in the discharge reports included in this section. The following lists the stream gaging stations monitored by the USGS:

USGS ID	LAC ID	START DATE
10263630	F394-R	08/22/02
10263665	F122-R	11/05/01
10264000	L1-R	01/25/02
10264682	F395-R	10/17/01
10264100	F125-R	01/15/02
11107860	F377-R	01/05/02
11107770	F328-R	11/05/01
11108000	F92-R	02/15/02

CUSTODIAN:

Unpublished information may be obtained by contacting:

**County of Los Angeles
Department of Public Works
Water Resources Division
P.O. Box 1460
Alhambra, CA 91802-1460**

...or telephone: (626) 458-6120

R U N O F F

INDEX OF STREAM FLOW MEASURING STATIONS

Station No.	Station Name	Thomas Guide Page	Regulated	Drainage Area Sq.Mile	Length Of Record
F81D-R	ALHAMBRA WASH above Klingerman Street	636 G3	No	15.20	9/2/36
F317-R	ARCADIA WASH below Grand Avenue	597 C4	Yes	8.50	12/12/55
F220B-R	AZUSA CONDUIT (sandbox 10ft weir)	509/539	Yes	0.00	10/23/63
F250-R	AZUSA CONDUIT (sandbox 20 ft weir)	509/539	Yes	202.70	2/14/35
F38C-R	BALLONA CREEK above Sawtelle Blvd.	672 G4	Yes	88.60	8/10/67
F120B-R	BIG DALTON CREEK beolw Big Dalton Dam	509/540	Yes	4.80	6/3/40
F394-R	BIG ROCK CREEK upstream from Pallett Creek	4469 D3	Yes	34.30	4/22/83
F168-R	BIG TUJUNGA CREEK below Big Tujunga Dam	4645/4725	Yes	82.30	12/8/31
F377-R	BOUQUET CANYON CREEK at Urbandale Avenue	4461 C5	Yes	51.90	10/11/67
F329-R	BRADBURY CHANNEL below Central Avenue	568 C5	Yes	3.30	6/14/57
F342-R	BRANFORD STREET CHANNEL below Sharp Avenue	502 E7	Yes	5.01	1/12/62
E285-R	BURBANK WESTERN STORM DRAIN at Riverside Dr.	563 H3	Yes	25.00	10/1/49
F37B-R	COMPTON CREEK near Greenleaf Drive	734 J6	No	22.60	10/3/38
F354-R	COYOTE CREEK below Spring Street	796 H2	Yes	185.00	12/17/63
F274B-R	DALTON WASH at Merced Avenue	638 D1	Yes	35.95	11/2/58
F318-R	EATON WASH at Loftus Drive	597 A7	Yes	22.80	2/23/56
F271-R	EATON WASH below Eaton Wash Dam	566 F1	Yes	12.40	10/1/40
U7-R	FISH CREEK above mouth of canyon	568 G1	No	6.36	7/1/17
F251-R	LEAKAGE at Toe of Cogswell Dam	508 C5	Yes	39.20	4/26/35
L1-R	LITTLE ROCK CREEK above Little Rock Dam	4467 D2	No	49.20	10/1/30
F356-R	LIVE OAK CREEK below Live Oak Dam	571 A5	Yes	2.28	11/29/63
F300-R	LOS ANGELES RIVER at Tujunga Avenue	562 J6	Yes	401.00	5/8/50
F319-R	LOS ANGELES RIVER below Wardlow River Road	765 C1	Yes	815.00	1/13/56
F34D-R	LOS ANGELES RIVER below Firestone Blvd.	705 F4	Yes	596.00	11/12/56
F57C-R	LOS ANGELES RIVER above Arroyo Seco	594 H6	Yes	511.00	12/8/39
F130-R	MALIBU CREEK below Cold Creek	628 H1	Yes	104.96	1/17/31
F395-R	MESCAL CREEK at mouth of canyon	4471 D4	Yes	5.71	1/28/83
F328-R	MINT CANYON CREEK at Fitch Avenue	4462 C6	No	26.90	10/26/56
F181-R	MONTEBELLO STORM DRAIN above Rio Hondo	676 E4	No	9.60	1/12/32
F118B-R	PACOIMA CREEK FLUME below Pacoima Dam	4642 F7	Yes	28.20	2/9/35
F305-R	PACOIMA DIVERSION at Branford Street	502 D7	Yes	48.80	10/30/53
F122-R	PALLETT CREEK at Valyermo Highway	4469 D2	No	15.80	10/31/61
F192B-R	RIO HONDO below Lower Azusa Avenue	597 D5	Yes	40.90	12/18/58
F45B-R	RIO HONDO above Stuart and Gray Road	705 G4	Yes	140.00	11/20/51
F313B-R	RIO HONDO BYPASS - Zone one Dicht	637 A7	Yes	Controlled	11/28/83
F338-R	RUBIO DIVERSION CHANNEL below Gooseberry Inlet	536 C5	Yes	2.10	12/16/59
F82C-R	RUBIO WASH at Glendon Way	596 H7	Yes	10.90	11/6/36
F303-R	SAN DIMAS CREEK below San Dimas Dam	570 F2	Yes	16.20	12/24/51
F218-R	SAN DIMAS WASH below Puddingstone Diversion	570 E5	Yes	19.90	1/26/33
F209-R	SAN GABRIEL RIVER below Cogswell Dam	508 C5	Yes	41.00	12/8/33
U8-R	SAN GABRIEL RIVER below Morris Dam	569 B2	Yes	212.40	5/18/94
F190-R	SAN GABRIEL RIVER at Foothill Blvd.	568 E5	Yes	230.00	4/25/32

R U N O F F

INDEX OF STREAM FLOW MEASURING STATIONS

Station No.	Station Name	Thomas Guide Page	Regulated	Drainage Area Sq.Mile	Length Of Record
F263C-R	SAN GABRIEL RIVER below San Gabriel River Pkwy	676 J2	Yes	206.30	8/9/68
F42B-R	SAN GABRIEL RIVER above Spring Street	796 G1	Yes	231.00	11/16/64
E281-R	SAN GABRIEL RIVER below Santa Fe Dam	568 B2	Yes		
F312B-R	SAN JOSE CHANNEL below Sevent Avenue	637 G6	Yes	83.40	4/23/92
F119-R	SANTA ANITA CREEK below Santa Anita Dam	537 E6	Yes	10.80	1/13/64
F193B-R	SANTA ANITA WASH at Longden Avenue	597 F2	Yes	18.80	1/5/60
F260C-R	SANTA ANITA WASH below Foothill Blvd.	567 D4	Yes	17.20	12/11/59
F92-R	SANTA CLARA RIVER at Old Road Bridge	4450 C2	Yes	410.40	9/1/81
F280-R	SANTA FE DIVERSION CHANNEL below Santa Fe Dam	598 B2	Yes	Controlled	10/1/42
F278-R	SAWPIT CREEK below Sawpit Dam	537 H7	Yes	3.30	2/6/42
F194B-R	SAWPIT WASH below Live Oak Avenue	597 G2	Yes	16.10	12/5/60
F32B-R	THOMPSON CREEK below Thompson Creek Dam	571 E4	Yes	3.70	10/1/44
F54C-R	TOPANGA CREEK above mouth of canyon	630 C3	No	18.00	1/1/30
F252-R	VERDUGO WASH at Estelle Avenue	564 C3	Yes	26.80	12/2/35
F304-R	WALNUT CREEK above Puente Avenue	638 B1	Yes	57.60	10/14/52
F40-R	WALNUT CREEK below Puddingstone Dam	600 B4	Yes	33.20	12/28/27

R U N O F F

STREAM GAGING STATION INFORMATION

[See Appendix B](#)

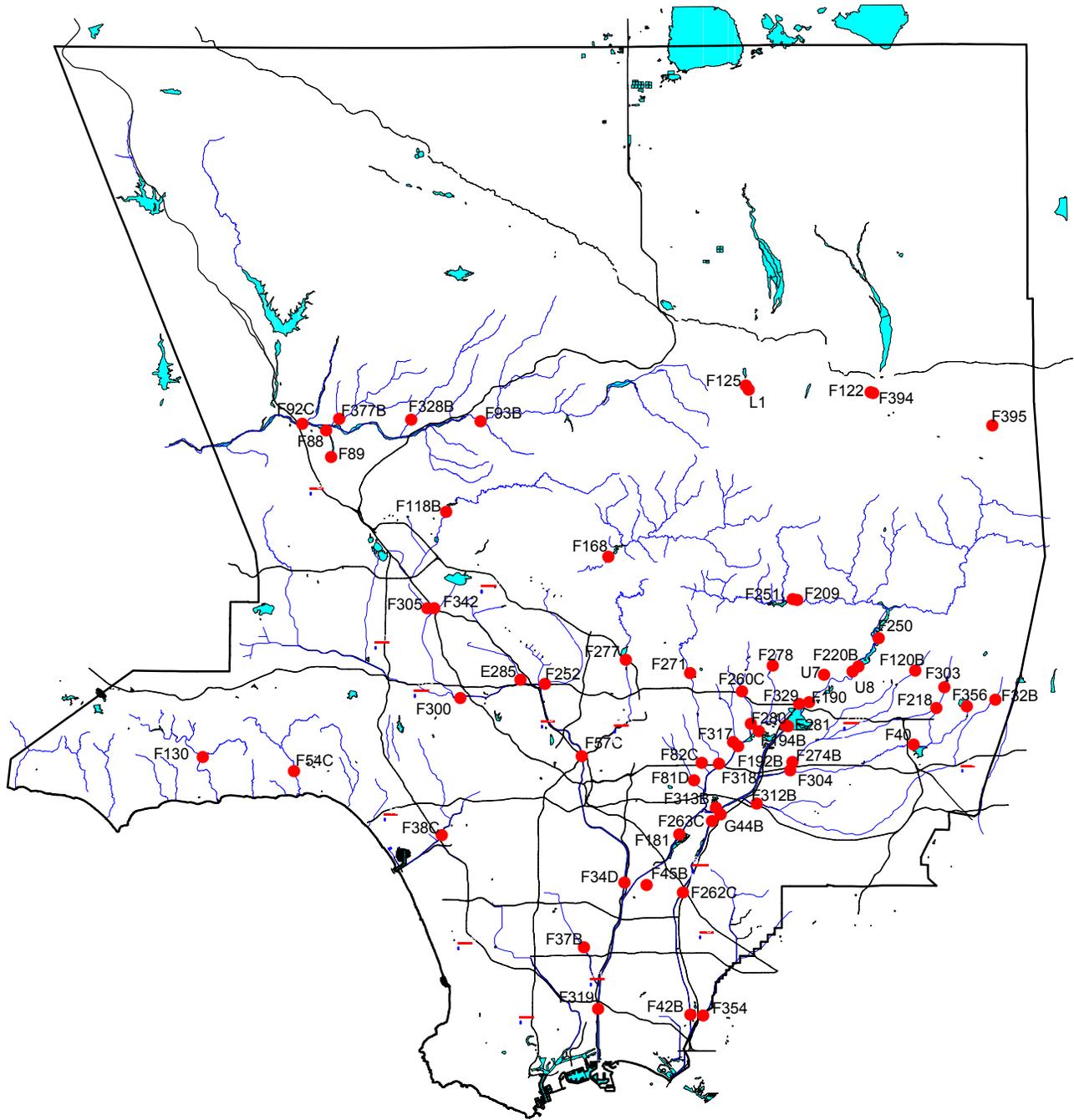
DAILY DISCHARGE

[See Appendix C](#)

STREAM GAGING STATION PEAK FLOW

[See Appendix D](#)

STREAM GAGE STATION LOCATIONS



LEGEND

● Stream Gage Station



R E S E R V O I R S

RESERVOIRS

Following the damaging flood of 1914 and creation of the Los Angeles County Flood Control District in 1915, a program of flood control and water conservation was initiated by the District. Part of this program included the construction of 14 dams which were completed between 1920 and 1939. These dams continued to be operated and maintained by the Department to control flood waters during storm periods. The Department makes post storm releases, when feasible, in amounts that can be conserved in downstream spreading grounds and by channel percolation. In addition, five Corps of Engineers' dams, Lopez, Hansen, Santa Fe, Sepulveda, and Whittier Narrows Dams, are operated by the Corps in conjunction with the Department dams to achieve flood control and/or water conservation.

RECORDS:

The Department's 15 dams and reservoirs' locations are shown on the [map](#). Data on the yearly reservoir operation summaries for each reservoir are provided by selecting from the Yearly Summary on the left. Data for these facilities can be obtained by contacting the custodian of hydrologic records.

Los Angeles County Department of Public Works
Water Resources Division
P.O. Box 1460
Alhambra, CA 91802-1460

...or telephone: (626) 458-6120

R E S E R V O I R S**YEARLY RESERVOIR OPERATION SUMMARY**

[See Appendix E](#)

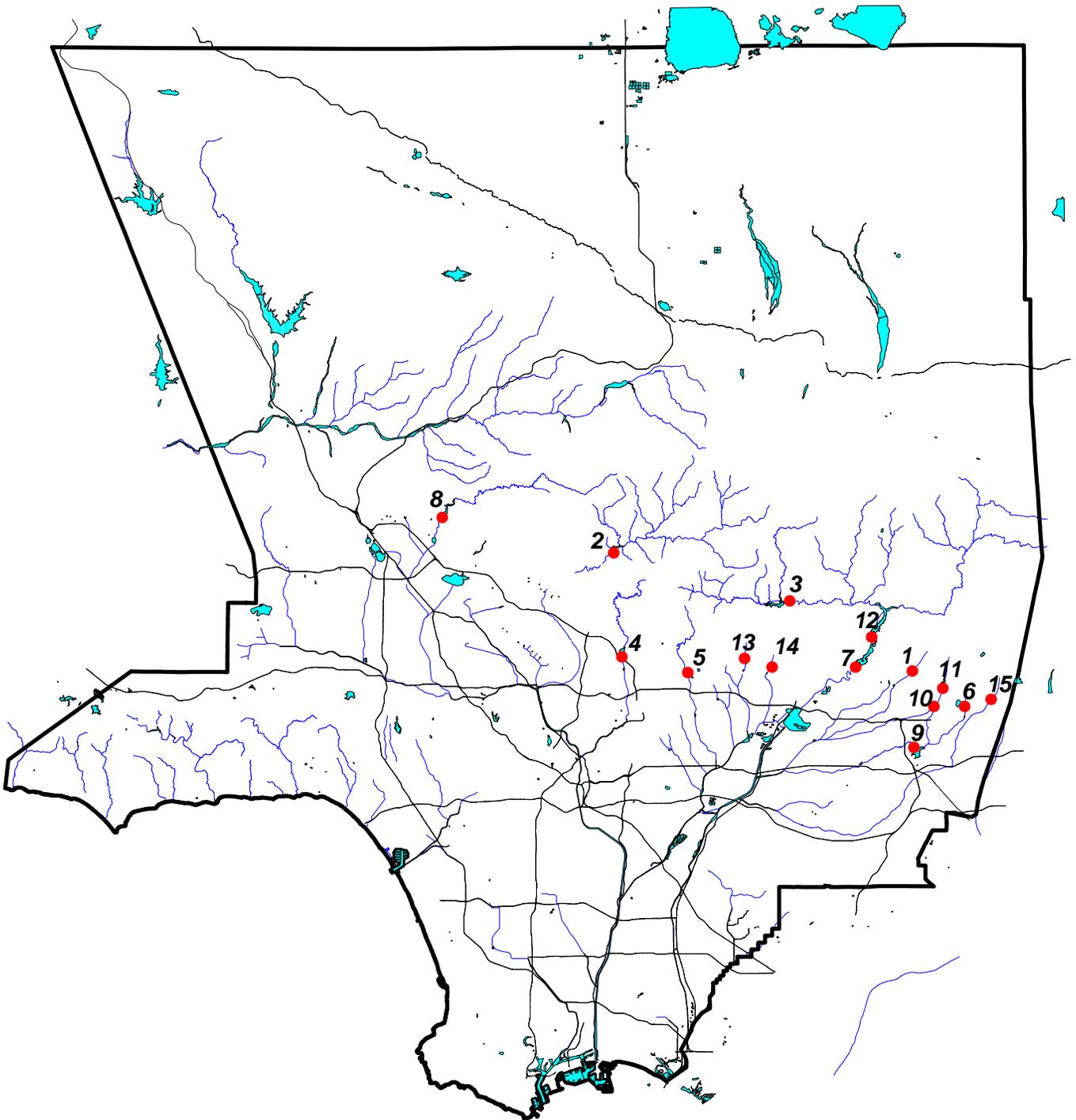
Location	Appendix E
Big Dalton Dam	Appendix E 01
Big Tujunga Dam	Appendix E 02
Cogswell Dam	Appendix E 03
Devil's Gate Dam	Appendix E 04
Eaton Wash Dam	Appendix E 05
Live Oak Dam	Appendix E 06
Morris Dam	Appendix E 07
Pacoima Dam	Appendix E 08
Puddingstone Dam	Appendix E 09
Puddingstone Diversion	Appendix E 10
San Dimas Dam	Appendix E 11
San Gabriel Dam	Appendix E 12
Santa Anita Dam	Appendix E 13
Sawpit Dam	Appendix E 14
Thompson Creek Dam	Appendix E 15

R E S E R V O I R S

FACILITIES

DPW Dams and Reservoirs	Current Uses	Con-struction Completed	Drainage Area (sq.mi)	Original Capacity (acre-ft)	Spillway Elv (ft)	Location
Big Dalton Dam	Flood control and water conservation	August 1929	4.5	1053	1706	4 miles northeast of Glendora
Big Tujunga Dam	Flood control and water conservation	July 1931	82.3	6240	2290	10 miles northeast of Sunland
Cogswell Dam	Flood control and water conservation	April 1934	39.2	12298	2385	22 miles north of Azusa
Devil's Gate Dam	Flood control and water conservation	June 1920	31.9	4601	1040.5	Arroyo Seco, northwest of Pasadena
Eaton Wash Dam	Flood control and debris storage	February 1937	12.4	956	887.5	Eaton Wash, northeast of Pasadena
Live Oak Dam	Flood control and water conservation	November 1922	2.3	250	1496	2.5 miles northeast of La Verne
Morris Dam	Water conservation	1935	211.4	39300	1152	5 miles north of Azusa
Pacoima Dam	Flood control and water conservation	February 1929	28.2	6060	1950	4 miles northeast of San Fernando
Puddingstone Dam	Flood control and water conservation	January 1928	33.1	17938	970	1 mile south of San Dimas
Puddingstone Diversion	Flood control and diversion of flow	July 1928	19.9	148	1152.5	2 miles northeast of San Dimas
San Dimas Dam	Flood control and diversion of flow	September 1922	16.2	1496	1462	3 miles northeast of San Dimas
San Gabriel Dam	Flood control and water conservation	July 1939	202.7	53344	1453	7.5 miles north of Azusa
Santa Anita Dam	Flood control and water conservation	March 1927	10.8	1376	1316	2.5 miles north of Arcadia
Sawpit Dam	Flood control and water conservation	June 1927	3.2	476	1360	2 miles north of Monrovia
Thompson Creek Dam	Flood control and water conservation	March 1928	3.5	812	1634	3 miles north of Claremont
FC FLOOD CONTROL WC WATER CONSERVATION DC DEBRIS CONTROL R RECREATION						

Reservoir Locations



1. Big Dalton Dam
2. Big Tujunga Dam
3. Cogswell Dam
4. Devil's Gate Dam
5. Eaton Wash Dam

6. Live Oak Dam
7. Morris Dam
8. Pacoima Dam
9. Puddingstone Dam
10. Puddingstone Diversion Dam

11. San Dimas Dam
12. San Gabriel Dam
13. Santa Anita Dam
14. Sawpit Dam
15. Thompson Creek Dam

E R O S I O N C O N T R O L

EROSION CONTROL

Each year eroded material in various forms (debris consisting of rock, sand, trees, etc.) flows out of the mountain watersheds of Los Angeles County. In an effort to control this potentially disruptive force, the Department maintains a series of debris basins in canyon mouths and upstream stabilization structures in selected watersheds.

DEBRIS BASINS:

The purpose of a debris basin is to entrap the sediment flows emanating from the canyon and let the relatively desilted water pass into the downstream flood control channels.

The Department maintained 115 debris basins during the reporting period. The combined total maximum capacity of the basins is approximately 7,907,900 cubic yards. [Design data](#) on these facilities are in a table and their locations are shown in a PDF [map](#) (1.67MB).

Data for sediment inflow at individual debris basins and Unpublished information may be obtained by contacting:

Los Angeles County Department of Public Works
Water Resources Division
P.O. Box 1460
Alhambra, CA 91802-1460
...or telephone: (626) 458-6120

STABILIZATION STRUCTURES:

The Department has constructed stabilization structures to control erosion in natural canyons. These structures serve to prevent down cutting by stabilizing alluvium deposits. In addition, they store debris generated by the watershed and serve to stabilize side banks, reducing side slope sloughing and bank erosion.

The Department maintained 217 stabilization structures in 47 major watersheds during the reporting period. The Department has not constructed any stabilization structures since the 1973-74 water year.

EMERGENCY STRUCTURES:

The Department has constructed emergency structures (rail and timber) to entrap the debris from burned watersheds. The structures serve to protect improvements (road, channel, residence, etc.) located downstream of the watersheds.

During the reporting period, 32 emergency structures existed with a total maximum capacity of 253,000 cubic yards. Maps of areas burned during the reporting period can be obtained by contacting the [custodian](#) of hydrologic records.

E R O S I O N C O N T R O L

LOCATION MAP

[See Appendix F](#)

E R O S I O N C O N T R O L

DEBRIS BASIN - DESIGN DATA:

Including 2001-2002 Storm Season
(Sedimentation Management Unit)

Debris Basin	First Debris Season	Un-controlled Drainage Area Above Basin (Sq. Mi.)	Bottom Elev. at Max Cap. (ft)	Elevation Port Invert (ft)	Elevation Spillway Crest (ft)	Width Spillway	Elevation Crest of Dam	Maximum Debris Capacity (Cu. Yds)
Aliso	1970-71	2.77	1108	1108.4	1120	70	1134	42000 ⁽⁸⁾
Arbor Dell	1971-72	0.11	899	898.4	916	22.9	919.6	15800
Auburn	1954-55	0.19	1260	1260.5	1278	30	1286	39000
Bailey	1945-46	0.6	1123	1123.1	1155	30	1166	129000
Beatty	1970-71	0.27	800	800	807	32	815.5	43000
Big Dalton	1959-60	2.94	1102	1101.9 ⁽³⁾	1132	116	1148.7	518000
Bigbriar	1971-72	0.02	1898	1896	1910	14	1910.8	2600
Blanchard	1968-69	0.47	2026	2026	2054	40	2065	75000
Blue Gum	1968-69	0.19	2020	2020	2042	25	2053	40000
Brace	1971-72	0.29	1190	1189.7	1196	20	1205	30000
Bracemar	1971-72	0.01	1140	1140	1146	8	1148	700 ⁽¹⁴⁾
Bradbury	1954-55	0.68	912	913.1	920	58	928	90000
Brand	1935-36	1.04	860	860	890	60	903	166000
Buena Vista	1985-86	0.1	979	978.7	992	39	997.7	22000
Carriage House	1970-71	0.03	1350	1350	1363	15	1366.8	6100
Carter	1954-55	0.12	1224	1223.2	1248	30	1255	28000
Cassara	1976-77	0.21	1272	1271.5	1292	66	1295.4	37000
Chamberlain	1974-75	0.04	1085	1084	1098	20	1101.3	4700
Chandler	1995-96	0.16	1055	1052	1073	36	1078.3	20000 ⁽¹⁵⁾
Childs	1963-64	0.3	1022	1022	1059	23	1071	50000
Cloud Creek	1972-73	0.01	2350	2350.5	2360	-5	2362	5100
Cloudcroft	1973-74	0.21	314	315	330	36	329.5	35000

FOOTNOTES

- (1) Lowest clear water outlet, not spillway.
- (2) Elevation of spillway notch.
- (3) Flow line of sluiceway.
- (4) Elevation of spillway into outlet channel. Elevation of overflow spillway 1,036.9 feet.
- (5) One 30-inch reinforced concrete pipe.
- (6) Four 36-inch corrugated metal pipes.
- (7) One 36-inch reinforced concrete pipe. (Elevated inlet)
- (8) Debris capacity available within right of way limits.
- (9) Pit-type basin.
- (10) Information unavailable.
- (11) Special cleanout required due to limited storage.
- (12) Cleanout required when debris reaches or exceeds elevation 1128.9 feet against face of dam.
- (13) Values are combined with Cooks debris basin.
- (14) Spillway level storage capacity.
- (15) Data taken from design drawings.
- (16) 7 feet in diameter circular outlet type.
- (17) The maximum capacities have been rounded off with regard to appropriate precision consistent with the assumptions used in the development of Hydrology and Sedimentation Manual.

E R O S I O N C O N T R O L

DEBRIS BASIN - DESIGN DATA:

Including 2001-2002 Storm Season
(Sedimentation Management Unit)

Debris Basin	First Debris Season	Un-controlled Drainage Area Above Basin (Sq. Mi.)	Bottom Elev. at Max Cap. (ft)	Elevation Port Invert (ft)	Elevation Spillway Crest (ft)	Width Spillway	Elevation Crest of Dam	Maximum Debris Capacity (Cu. Yds)
Cooks	1951-52	0.58	2058	2058	2083	48	2092	52000
Cooks M-1A	1975-76	- ¹³	2120	- ¹⁰	2142	- ¹⁰	- ¹⁰	34000
Crescent Glen	2001-2	0.07	1149	1148.9	1171	19.3	1174	21000
Crestview	1983-84	0.03	864	864	886	20	891.7	5900 ⁽¹⁴⁾
Crocker	1983-84	0.67	1064	1064.2	1070	36	1077	19000 ⁽¹⁴⁾
Deer	1954-55	0.59	1185	1185	1201	56	1209.6	57000
Denivelle	1976-77	0.18	1471	1471	1479	46	1483.3	7900
Devonwood	1981-82	0.05	1899	1899	1922	- ¹⁶	1927.5	11000
Dry Canyon-South Fork	1978-79	0.49	1063	1062.5	1075	32	1079.3	7900
Dunsmuir	1935-36	0.84	2228	2227.7	2257	60	2272.2	103000
Eagle	1936-37	0.48	1850	1845.5	1880	60	1895.2	63000
Elmwood	1964-65	0.31	912	911.5	938	22	952	61000
Emerald-East	1964-65	0.15	1185	1181.1	1192	30	1204	13600
Englewild	1961-62	0.44	1275	1275	1297	50	1300	41000
Fair Oaks	1935-36	0.2	1544	1544	1562	- ⁶	1566.5	24000
Fern	1935-36	0.31	1440	1440	1476	25	1482	43000
Fieldbrook	1974-75	0.35	713	713	722	28	728	11100 ⁽¹⁵⁾
Golf Club Drive	1970-71	0.99	881	880.7	902	36.7	915	15000
Gooseberry	1998-99	0.19	1440	1440	1460	25	1469.3	35000
Gordon	1973-74	0.18	1076	1075	1096	22	1104.5	35600
Gould	1947-48	0.36	1530	1528.2	1548	55	1558.3	53000
Gould (Upper)	1976-77	0.18	1864	1863.9	1898	32	1901	52000
Halls	1935-36	0.83	1642	1641.8	1662	131	1664	94000

FOOTNOTES

- (1) Lowest clear water outlet, not spillway.
- (2) Elevation of spillway notch.
- (3) Flow line of sluiceway.
- (4) Elevation of spillway into outlet channel. Elevation of overflow spillway 1,036.9 feet.
- (5) One 30-inch reinforced concrete pipe.
- (6) Four 36-inch corrugated metal pipes.
- (7) One 36-inch reinforced concrete pipe. (Elevated inlet)
- (8) Debris capacity available within right of way limits.
- (9) Pit-type basin.
- (10) Information unavailable.
- (11) Special cleanout required due to limited storage.
- (12) Cleanout required when debris reaches or exceeds elevation 1128.9 feet against face of dam.
- (13) Values are combined with Cooks debris basin.
- (14) Spillway level storage capacity.
- (15) Data taken from design drawings.
- (16) 7 feet in diameter circular outlet type.
- (17) The maximum capacities have been rounded off with regard to appropriate precision consistent with the assumptions used in the development of Hydrology and Sedimentation Manual.

E R O S I O N C O N T R O L

DEBRIS BASIN - DESIGN DATA:

Including 2001-2002 Storm Season
(Sedimentation Management Unit)

Debris Basin	First Debris Season	Un-controlled Drainage Area Above Basin (Sq. Mi.)	Bottom Elev. at Max Cap. (ft)	Elevation Port Invert (ft)	Elevation Spillway Crest (ft)	Width Spillway	Elevation Crest of Dam	Maximum Debris Capacity (Cu. Yds)
Harrow	1958-59	0.43	1255	1255	1269	40	1277.8	68000
Haven Way	1991-92	0.13	1323	1323	1329	20	1335.6	38200
Hay	1936-37	0.2	1890	1890.2	1908	36	1915	37000
Hillcrest	1962-63	0.35	864	863.5	885	18	901	58000
Hog	1969-70	0.32	1520	1520	1535	32	1547	43000
Hook East	1968-69	0.18	1198	1198	1215	37	1222	26000
Hook West	1970-71	0.17	1145	1145	1165	40	1172	36600
Inverness	1982-83	0.03	1253	1252.9	1257	20	1261	3300
Irving Drive	1974-75	0.03	906	905	915	12	920	1200
Kinneloa	1964-65	0.2	1370	1370	1403	76	1407.9	36000 ⁽¹⁵⁾
Kinneloa - West	1966-67	0.19	1385	1385	1413	22	1421	35000
La Tuna	1955-56	5.34	1109	1110	1140	75	1157	495000
Lannan	1954-55	0.25	1017	1015	1036	14	1043	41000
Las Flores	1935-36	0.45	1685	⁻⁹	1716	50	1726.4	56000
Las Lomas	1983-84	0.07	887	887	906	77	908.5	17000
Limekiln	1963-64	3.72	992	992	1003	77	1019	172000
Lincoln	1935-36	0.5	1276	1276	1304	56	1322.5	38000
Linda Vista	1970-71	0.37	980	979.5	990	40	995.7	3200
Little Dalton	1959-60	3.31	1140	1139.5	1186	84	1200.2	661000
Maddock	1954-55	0.26	889	891.8	901	36	904	45000
Marston/Paragon	1988-89	0.2	1456	1455.6	1460	20	1466	5300
May No. 1	1953-54	0.7	1666	1666	1684	60	1692.5	64000
May No. 2	1953-54	0.09	1663	1663.5 ⁽²⁾	1670	20	1674	13000

FOOTNOTES

- (1) Lowest clear water outlet, not spillway.
- (2) Elevation of spillway notch.
- (3) Flow line of sluiceway.
- (4) Elevation of spillway into outlet channel. Elevation of overflow spillway 1,036.9 feet.
- (5) One 30-inch reinforced concrete pipe.
- (6) Four 36-inch corrugated metal pipes.
- (7) One 36-inch reinforced concrete pipe. (Elevated inlet)
- (8) Debris capacity available within right of way limits.
- (9) Pit-type basin.
- (10) Information unavailable.
- (11) Special cleanout required due to limited storage.
- (12) Cleanout required when debris reaches or exceeds elevation 1128.9 feet against face of dam.
- (13) Values are combined with Cooks debris basin.
- (14) Spillway level storage capacity.
- (15) Data taken from design drawings.
- (16) 7 feet in diameter circular outlet type.
- (17) The maximum capacities have been rounded off with regard to appropriate precision consistent with the assumptions used in the development of Hydrology and Sedimentation Manual.

E R O S I O N C O N T R O L

DEBRIS BASIN - DESIGN DATA:

Including 2001-2002 Storm Season
(Sedimentation Management Unit)

Debris Basin	First Debris Season	Un-controlled Drainage Area Above Basin (Sq. Mi.)	Bottom Elev. at Max Cap. (ft)	Elevation Port Invert (ft)	Elevation Spillway Crest (ft)	Width Spillway	Elevation Crest of Dam	Maximum Debris Capacity (Cu. Yds)
Monument	1981-82	0.11	944	942.3	950	12	954	7000
Morgan	1964-65	0.6	1138	1137.9	1162	45	1171.5	78500
Mountbatten	1983-84	0.01	1136	1135.5	1145	20	1146	3300
Mull	1973-74	0.15	1147	1147	1154	20	1165	13000
Mullally (11)	1974-75	0.34	2420	2420	2435	42	2439.6	9400
Nichols	1937-38	0.94	480	481	485	50	495	14000
Oak	1975-76	0.05	2144	2145.7	2153	50	2156.2	13000
Oak Park	2001-02	0.07	1042	1041.5	1060	18.7	1064	15000
Oakglade	1974-75	0.06	1275	1280	1298	20	1304.5	15200
Oakmont View Drive	1984-85	0.02	1316	1315.5	1328	20	1328.5	3400
Oliver	1989-90	0.18	1258	1258	1278	41	1283.3	32000
Pickens	1935-36	1.5	1564	1564	1600	123	1613	125000
Pinelawn	1973-74	0.02	2431	2430.5	2443	-7	2448.5	3200
Rowley	1953-54	0.21	1704	1703.6	1714	60	1722	43000
Rowley (Upper)	1976-77	0.31	1926	1926	1946	42	1951.3	29000
Rubio	1943-44	1.26	1582	1582	1611	66.8	1625.5	150000
Ruby (Lower)	1955-56	0.28	811	809.6	834	45	840	40200
Rye	1981-82	1.11	1074	1073.8	1078	58.2	1081.5	19000
Saddleback	1988-89	0.04	1781	1779.3	1791	23.5	1796.8	16000
Santa Anita	1959-60	1.7	748	748.5 ⁽³⁾	775	160	796	395000
Sawpit	1954-55	2.84	930	930.3	982	110	1000	636000
Scholl	1945-46	0.66	950	950.0 ⁽²⁾	956	76	966	9300
Schoolhouse	1962-63	0.28	1460	1460	1478	20	1491	68000

FOOTNOTES

- (1) Lowest clear water outlet, not spillway.
- (2) Elevation of spillway notch.
- (3) Flow line of sluiceway.
- (4) Elevation of spillway into outlet channel. Elevation of overflow spillway 1,036.9 feet.
- (5) One 30-inch reinforced concrete pipe.
- (6) Four 36-inch corrugated metal pipes.
- (7) One 36-inch reinforced concrete pipe. (Elevated inlet)
- (8) Debris capacity available within right of way limits.
- (9) Pit-type basin.
- (10) Information unavailable.
- (11) Special cleanout required due to limited storage.
- (12) Cleanout required when debris reaches or exceeds elevation 1128.9 feet against face of dam.
- (13) Values are combined with Cooks debris basin.
- (14) Spillway level storage capacity.
- (15) Data taken from design drawings.
- (16) 7 feet in diameter circular outlet type.
- (17) The maximum capacities have been rounded off with regard to appropriate precision consistent with the assumptions used in the development of Hydrology and Sedimentation Manual.

E R O S I O N C O N T R O L

DEBRIS BASIN - DESIGN DATA:

Including 2001-2002 Storm Season
(Sedimentation Management Unit)

Debris Basin	First Debris Season	Un-controlled Drainage Area Above Basin (Sq. Mi.)	Bottom Elev. at Max Cap. (ft)	Elevation Port Invert (ft)	Elevation Spillway Crest (ft)	Width Spillway	Elevation Crest of Dam	Maximum Debris Capacity (Cu. Yds)
Schwartz	1976-77	0.25	1295	1294.7	1313	35	1319	45000
Shields	1937-38	0.06	2050	2050	2058	30	2070.2	20000
Sierra Madre Dam (12)	1927-28	2.39	1120	1119.5	1172	62.5	1175	136000
Sierra Madre Villa	1957-58	1.46	1069	1069.2	1089	48	1102.5	402000
Snover	1936-37	0.21	1863	1862.7	1879	40	1893.7	25000
Sombrero	1969-70	1.06	1540	1540	1565	45	1580	88000
Spinks	1958-59	0.44	750	750	762	40	765.9	56000
Starfall	1973-74	0.13	2428	2428	2442	30	2446.5	15000
Stetson	1969-70	0.29	1556	1555	1570	32	1579	41000
Stough	1940-41	1.65	1006	1005.8	1032 ⁽⁴⁾	100	1043.5	181000
Sturtevant	1967-68	0.03	975	971	984	8	990	1400
Sullivan	1970-71	2.38	570	570	587	50	599.3	51000
Sunnyside	1970-71	0.02	1290	1290	1300	15	1303.8	3400
Sunset (Lower)	1963-64	0.45	1004	994.5	1040	40	1056	159000
Sunset (Upper)	1928-29	0.44	1574	1574	1604	75	1610.1	16000
Sunset Canyon-Deer	1982-83	0.21	1382	1380.5	1402	24	1409.1	5000
Turnbull	1952-53	0.99	476	475.6	492	40	503	22000
Upper Shields	1976-77	0.22	2498	2498	2530	33	2537.2	40000
Verdugo	1935-36	9.4	1110	1110	1120	145	1131	131000
Ward	1956-57	0.12	2022	2022	2043	58	2045.3	26000
West Ravine	1935-36	0.25	1484	1469.6 ⁽¹⁾	1502	20	1505.5	39000
Westridge	1974-75	0.02	894	894	905	10.7	906	2400 ⁽¹⁴⁾
Wildwood	1967-68	0.65	1343	1342.9	1354	50	1360	21000

FOOTNOTES

- (1) Lowest clear water outlet, not spillway.
- (2) Elevation of spillway notch.
- (3) Flow line of sluiceway.
- (4) Elevation of spillway into outlet channel. Elevation of overflow spillway 1,036.9 feet.
- (5) One 30-inch reinforced concrete pipe.
- (6) Four 36-inch corrugated metal pipes.
- (7) One 36-inch reinforced concrete pipe. (Elevated inlet)
- (8) Debris capacity available within right of way limits.
- (9) Pit-type basin.
- (10) Information unavailable.
- (11) Special cleanout required due to limited storage.
- (12) Cleanout required when debris reaches or exceeds elevation 1128.9 feet against face of dam.
- (13) Values are combined with Cooks debris basin.
- (14) Spillway level storage capacity.
- (15) Data taken from design drawings.
- (16) 7 feet in diameter circular outlet type.
- (17) The maximum capacities have been rounded off with regard to appropriate precision consistent with the assumptions used in the development of Hydrology and Sedimentation Manual.

E R O S I O N C O N T R O L

DEBRIS BASIN - DESIGN DATA:

Including 2001-2002 Storm Season
(Sedimentation Management Unit)

Debris Basin	First Debris Season	Un-controlled Drainage Area Above Basin (Sq. Mi.)	Bottom Elev. at Max Cap. (ft)	Elevation Port Invert (ft)	Elevation Spillway Crest (ft)	Width Spillway	Elevation Crest of Dam	Maximum Debris Capacity (Cu. Yds)
William S. Hart Park	1983-84	0.09	1282	1280	1290	19	1293	2400
Wilson	1962-63	2.58	1493	1493	1526	60	1543	313000
Winery	1968-69	0.18	1920	1920	1935	20	1945	29000
Zachau	1956-57	0.35	1803	1803.1	1820	44	1827.5	48000
118 DEBRIS BASINS		75.77						7,907,900

FOOTNOTES

- (1) Lowest clear water outlet, not spillway.
- (2) Elevation of spillway notch.
- (3) Flow line of sluiceway.
- (4) Elevation of spillway into outlet channel. Elevation of overflow spillway 1,036.9 feet.
- (5) One 30-inch reinforced concrete pipe.
- (6) Four 36-inch corrugated metal pipes.
- (7) One 36-inch reinforced concrete pipe. (Elevated inlet)
- (8) Debris capacity available within right of way limits.
- (9) Pit-type basin.
- (10) Information unavailable.
- (11) Special cleanout required due to limited storage.
- (12) Cleanout required when debris reaches or exceeds elevation 1128.9 feet against face of dam.
- (13) Values are combined with Cooks debris basin.
- (14) Spillway level storage capacity.
- (15) Data taken from design drawings.
- (16) 7 feet in diameter circular outlet type.
- (17) The maximum capacities have been rounded off with regard to appropriate precision consistent with the assumptions used in the development of Hydrology and Sedimentation Manual.

WATER CONSERVATION

WATER CONSERVATION

Information presented in this section includes amounts of local, imported, and reclaimed water conserved in spreading areas and information on the seawater barrier projects which prevent salt water intrusion into groundwater zones in the coastal areas. Pertinent data is presented regarding the locations and descriptions of Public Works' water conservation facilities as well as facilities owned by others. Additional data not presented in this report or its appendices can be obtained by contacting the [custodian](#) of hydrologic records.

CONSERVING THE WATERS

In addition to the flood control program, Public Works has the equally important mission of conserving as much of the storm and other waters as practicable. The use of water conservation facilities adjacent to river channels and in soft-bottom channels permits water to percolate into groundwater basins for later pumping. These water spreading facilities are located in areas where the underlying soils are composed of permeable formations and in hydraulic connection with the underlying aquifer.

The various types of water conserved, local, imported, and reclaimed are construed to have the following meanings in this section: Local water is primarily runoff due to rainfall on the mountain and valley watersheds, dam releases, and rising water within the County. Imported water is water originating outside the County either from Northern California or from the Colorado River. Reclaimed water is the effluent produced by the Whittier Narrows Water Reclamation Plant, the San Jose Creek Water Reclamation Plant, and the Pomona Water Reclamation Plant, all operated by the County of Los Angeles Sanitation District. Reclaimed water is also injected at the seawater barriers. Both West Basin and the Department of Water and Power provide tertiary treated water used for direct injection.

The importance of this activity is apparent when it is realized that about 30 to 40 percent of the water used in the County is pumped from groundwater supplies. The growth of the County, combined with periodic droughts, has seriously depleted these supplies on numerous occasions.

Public Works' policy is to conserve the maximum possible amount of storm water consistent with runoff quantity and quality, capacities of the spreading facilities, and groundwater conditions.

IMPORTED WATER

During the reporting period, Public Works received water imported from the Colorado River and the State Water Project by the Metropolitan Water District (MWD) and spread it in the Coastal Plain at Public Works' Rio Hondo and San Gabriel Coastal Spreading Grounds on behalf of the Water Replenishment District of Southern California. MWD water is also spread in the Main San Gabriel Basin, Upper San Gabriel Canyon Basin, and Glendora Basin.

Public Works spreads imported water from MWD and the San Gabriel Valley Municipal Water District (SGVMWD) in the San Gabriel Valley on behalf of, the Upper San Gabriel Valley Municipal Water District, and the Three Valleys Municipal Water District in the following facilities:

- San Gabriel Canyon Spreading Grounds
- Santa Fe Spreading Grounds
- San Gabriel River
- Little Dalton Spreading Grounds
- Forbes Spreading Grounds
- Irwindale Spreading Basin/Manning Pit
- Citrus Spreading Grounds
- Ben Lomond Spreading Grounds
- Valley Rubber Dam Spreading Areas

RECYCLED WATER

The County Sanitation District's Whittier Narrows Water Reclamation Plant effluent purchased by the Water Replenishment District of Southern California is transported to the Rio Hondo and San Gabriel Coastal Basin Spreading Grounds for groundwater replenishment.

The County Sanitation District's San Jose Creek Water Reclamation Plant made its first delivery of effluent in November 1972. The effluent released into San Jose Creek, San Gabriel River, or directly delivered to San Gabriel Coastal Spreading Ground via pipeline can be purchased by the Water Replenishment District of Southern California.

Water from the Pomona Reclamation Plant is released down the San Jose Creek - San Gabriel River System to Public Works' recharge facilities in the Central Basin spreading grounds.

The maximum amount of reclaimed water allowed for spreading in the Montebello Forebay, effective July 1991, is 60,000 acre-feet per year but not to exceed 150,000 acre-feet over a three-year period.

WATER CONSERVATION

SEA WATER BARRIER PROJECTS

Public Works operates three barrier projects to protect the groundwater in the West Coast and Central Basins against seawater intrusion by creating freshwater pressure ridges along the coastline. The pressure ridges are created by injecting freshwater through a series of injection wells. The amounts of water injected by these wells during the reporting period are as follows:

Facility	Imported Water (Acre-Feet)	Recycled Water (Acre-Feet)
Alamitos Barrier Project:		
Los Angeles Portion	3,962	0
Orange County Portion*	2,232	0
Dominguez Gap Barrier Project	5,460	0
West Coast Basin Barrier Project	12,725	7,518

*Injected on behalf of the Orange County Water District .

SEASONAL DATA AND MAPS

During the reporting period, weekly, monthly, and semi-annual measurements of groundwater levels in observation wells located throughout the groundwater basins in the County of Los Angeles were made and processed.

Locations of the key wells noted herein are shown on the well map in the Water Conservation Summary section. Historical key well level data can be downloaded as [ASCII](#) file or from the pull down selection in the Water Conservation Summary section.

Static groundwater elevation contour maps for the three major groundwater regions in the County of Los Angeles are available from the local basin water agencies:

Groundwater Basin	Contact
Upper Los Angeles River Area (San Fernando Valley)	Upper Los Angeles River Watermaster P.O. Box 111, Room 1455 Los Angeles, CA 90051 (213) 367-1020 (213) 367-1131 (FAX)
San Gabriel Valley	Main San Gabriel Basin Watermaster 729 North Azusa Avenue Azusa, CA 91702 (626) 815-1300 (626) 815-1303 (FAX)
Coastal Plain	Water Replenishment District of Southern California 12621 East 166th Street Cerritos, CA 90703 (562) 921-5521 (562) 921-6101 (FAX)

GROUNDWATER BASINS AND GROUNDWATER RECHARGE

Groundwater in the County of Los Angeles is stored in basins underlying five major geographic areas. These groundwater basins are separated by geologic features which impede groundwater movement or by political boundaries. A map of these groundwater basins and Public Works' spreading grounds is available upon request from Public Works. General spreading grounds facility information is included in the summary section. Monthly water conservation data for the reporting period at Public Works' facilities and other pertinent facilities are included in the Water Conservation Summary section of this report. The monthly imported and recycled water deliveries for the reporting period are also included in the Water Conservation Summary section. The following is a background summary of Public Works' groundwater recharge activities within each of these major areas:

WATER CONSERVATION

COUNTY-WIDE

Public Works operates 2,436 acres of spreading grounds and soft-bottom channel spreading areas for replenishment of local groundwater supplies. Public Works also assisted in the operation and maintenance of 269 acres of spreading grounds owned by others. An additional 656 acres of spreading grounds are controlled maintained and operated by other agencies. The total gross acreage of spreading grounds in the County of Los Angeles is 3,361 acres.

Groundwater replenishment consists of storm runoff, imported water, and recycled water. Countywide, Public Works spread the following amounts during the reporting period:

County Rainfall Index (% of Normal)	32 *
Storm Runoff (acre-feet)	73,804
Imported Water (acre-feet)	106,736
Recycled Water (acre-feet)	60,596

Public Works is continuing its efforts to improve its water spreading facilities in order to maximize the amounts of water conserved and to simplify the spreading operations.

SAN GABRIEL VALLEY

Public Works operates 20 spreading facilities in the San Gabriel Valley that receive direct valley runoff and flows from the San Gabriel Mountains. Some of these facilities can also receive imported water. Valley wide, Public Works spread the following amounts during the reporting period:

Storm Runoff (acre-feet)	47,817
Imported Water (acre-feet)	65,468
Diversions to Grounds Owned by Others (acre-feet)	3,374

Public Works' spreading grounds replenished the Valley's several groundwater basins as follows:

	Storm Water (acre-feet)	Imported Water (acre-feet)	Key Wells
Main San Gabriel Basin	44,000		
Upper San Gabriel Canyon Basin	3,007	27,726	4284A
Lower San Gabriel Canyon Basin	550	0	4285
Wayhill Basin	138	260	
Foothill Basin	67	0	
Glendora Basin			
Claremont Heights Basin	0	0	4508A, 4508B
Live Oak Basin	0	0	
Chino Basin	0	0	
San Dimas Basin	0	0	
Pomona Basin	0	0	3251E, 3261P, 4469A
Puente and Spadra Basins	0	0	
Raymond Basin		0	4057H

WATER CONSERVATION

COASTAL PLAIN

The groundwater basins underlying the Coastal Plain are divided by geological features into the Central (includes the Montebello and Los Angeles Forebays), West Coast, Santa Monica, and Hollywood Basins. Most of the water is spread in the Montebello Forebay. Public Works spread the following amounts in the Coastal Plain during the reporting period:

Storm Runoff (acre-feet)	19,949
Imported Water (acre-feet)	41,268
Recycled Water (acre-feet)	60,596

Central Basin

The Central Basin has the most storage capacity of the basins in the Coastal Plain. In addition to the water recharged in Public Works' spreading facilities, water injected in the Alamitos Barrier Project also contributes to the replenishment of the pressure aquifers underlying the Central Basin. The basin contains Key Well Nos. 460K, 1601T, and 906D.

West Coast Basin

The West Coast basin is the second largest basin underlying the Coastal Plain and is separated by the Newport-Inglewood Fault zone. Groundwater is primarily recharged by Central Basin subsurface flows and by water injected by Public Works in the West Coast Basin and Dominguez Gap Barrier Projects. Groundwater elevations in the West Coast basin are below sea level except in the area of the West Coast Basin Barrier injection mound. The basin contains Key Well Nos. 1346D and 760C.

Santa Monica and Hollywood Basins

Public Works has no spreading facilities in either of these basins.

SAN FERNANDO VALLEY

The San Fernando Valley is also known as the Upper Los Angeles River Area (ULARA). Most of the runoff from the surrounding mountains flows to the Valley. The Valley comprises of four basins:

San Fernando Main Basin

The basin is the largest basin underlying the San Fernando Valley. The basin contains Key Well Nos. 3872H and 4709. Public Works spread the following during the reporting period:

Storm Runoff (acre-feet)	2,664
Imported Water (acre-feet)	0
Recycled Water (acre-feet)	0

Sylmar, Verdugo, and Eagle Rock Basins

Public Works has no spreading facilities in these much smaller basins.

SANTA CLARITA VALLEY

Public Works has no spreading facilities in the area. Much of the Valley is open space, permitting substantial natural percolation. The Upper Santa Clarita subunit comprises five basins.

ANTELOPE VALLEY

There are several groundwater subbasins underlying the Antelope Valley. Five of them are located within the County of Los Angeles.

Public Works operates no spreading facilities in the Antelope Valley.

Key Well Nos. 9974 and 8825 are located in the Lancaster and Little Rock subbasins, respectively.

WATER CONSERVATION

SUMMARY

SPREADING FACILITIES OWNED AND OPERATED BY THE DEPARTMENT

[See Appendix G](#)

NON DPW FACILITIES

[See Appendix H](#)

TOTAL MONTHLY WATER CONSERVED

[See Appendix I](#)

IMPORTED WATER OUTLET RELEASES

[See Appendix J](#)

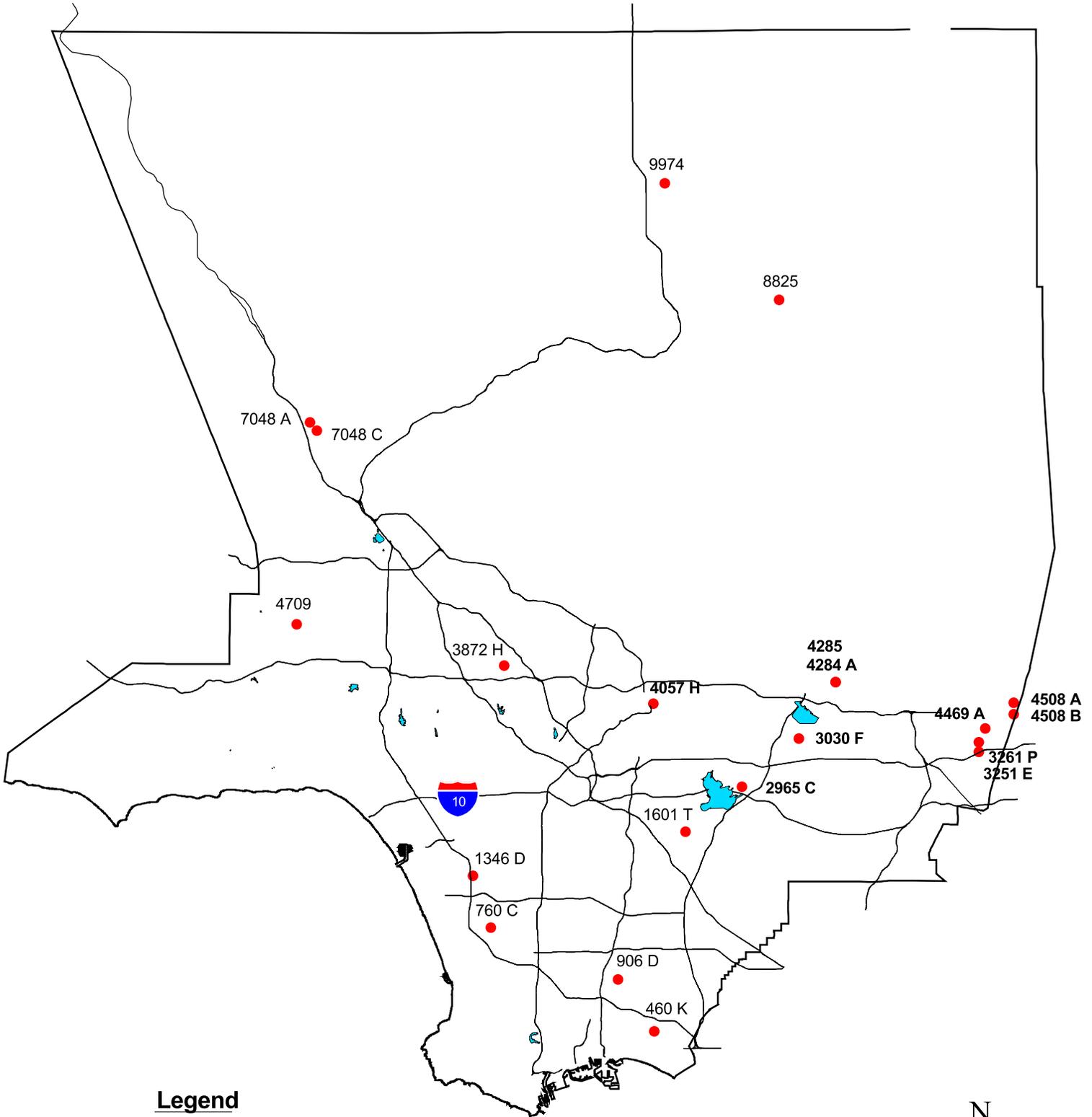
RECLAIMED WATER

[See Appendix K](#)

GROUND WATER FLUCTUATION

[See Appendix L](#)

Location	Appendix L
Coastal Plain, City of Long Beach	Appendix L 01
Coastal Plain	Appendix L 02
Coastal Plain, City of Long Beach	Appendix L 03
Central Basin	Appendix L 04
Main San Gabriel Basin	Appendix L 05
Main San Gabriel Basin, Baldwin Park	Appendix L 06
Pomona Basin	Appendix L 07
San Fernando Valley, Canoga Park	Appendix L 08
San Fernando Valley, Burbank	Appendix L 09
Raymond Basin	Appendix L 10
San Gabriel Canyon Basin, North of Azusa	Appendix L 11
Upper Claremont Heights	Appendix L 12
Santa Clarita Valley, Near Castaic Junction	Appendix L 13
Little Rock, South of Palmdale	Appendix L 14
Antelope Valley, South of Lancaster	Appendix L 15



Legend

● Keywell Location



Not to scale

APPENDIX A

HYDROLOGIC REPORT 2001 –2002

PRECIPITATION – DAILY RAINFALL SUMMARY

PRECIPITATION

DAILY RAINFALL SUMMARY

5B Calabasas

Gage Type: Standard 8 inch diameter (DPW)

Observation Time: 800

Latitude 34-09-24

Longitude: 118-38-14

Elevation: 924 Feet

Water Year from 10/01/2001 to 09/30/2002

Day	Oct	Nov	Dec	Jan	Feb	Mar	Apr	May	Jun	Jul	Aug	Sep
1												
2			0.14									
3												
4				0.20								
5												
6												
7						0.08						
8												
9												
10												
11		0.85										
12												
13												
14			0.06									
15							0.03					
16				0.02	0.12							
17												
18						0.06						
19												
20								0.03				
21			0.39									
22												
23		0.94										
24												
25												
26												
27				0.20								
28				0.42								
29		0.35	0.52									
30			0.10									
31	0.11		0.01									
Totals	0.11	2.14	1.22	0.84	0.12	0.14	0.03	0.03	0.00	0.00	0.00	0.00
												Water Year Total: 4.63

NOTE: All Values are in units of inches, unless otherwise specified.

LEGEND: A - Acculated Total
 E - Estimated
 T - Trace, unmeasurable amount of rain

Data Revised: March 2011

PRECIPITATION

DAILY RAINFALL SUMMARY

6 Topanga Patrol Station

Gage Type: Daily Automatic (DPW)

Observation Time: 2400

Latitude 34-05-03

Longitude: 118-35-57

Elevation: 745 Feet

Water Year from 10/01/2001 to 09/30/2002

Day	Oct	Nov	Dec	Jan	Feb	Mar	Apr	May	Jun	Jul	Aug	Sep
1												
2			0.16									
3			0.12									
4		0.04										
5												
6												
7						0.16						
8												
9												
10												
11		0.24										
12		0.44										
13												
14												
15							0.12					
16												
17					0.44	0.12						
18												
19												
20												
21												
22								0.08				
23												
24		2.52										
25												
26												
27				1.76								
28												
29		0.64										
30	0.12											
31												
Totals	0.12	3.88	0.28	1.76	0.44	0.28	0.12	0.08	0.00	0.00	0.00	0.00
												Water Year Total: 6.96

NOTE: All Values are in units of inches, unless otherwise specified.

LEGEND: A - Acculated Total
 E - Estimated
 T - Trace, unmeasurable amount of rain

Data Revised: March 2011

PRECIPITATION

DAILY RAINFALL SUMMARY

11D Upper Franklin Canyon Reservoir

Gage Type: Standard 8 inch diameter

Observation Time: 800

Latitude 34-07-10

Longitude: 118-24-35

Elevation: 867 Feet

Water Year from 10/01/2001 to 09/30/2002

Day	Oct	Nov	Dec	Jan	Feb	Mar	Apr	May	Jun	Jul	Aug	Sep
1												
2												
3			0.30	0.17								
4		0.02										
5												
6												0.03
7						0.11						
8												
9												
10			0.14									
11		0.06										
12		0.07										
13		0.51										
14												
15			0.08				0.09					
16												
17					0.35						0.02	
18						0.07						
19												
20								0.18				
21			0.31						0.02			
22			0.03									
23												
24												
25		2.07										
26												
27												
28				1.64								
29		0.07	0.04									0.03
30		0.33	0.26									
31	0.13		0.05									
Totals	0.13	3.13	1.21	1.81	0.35	0.18	0.09	0.18	0.02	0.00	0.02	0.06
												Water Year Total: 7.18

NOTE: All Values are in units of inches, unless otherwise specified.

LEGEND: A - Acculated Total
 E - Estimated
 T - Trace, unmeasurable amount of rain

Data Revised: March 2011

PRECIPITATION

DAILY RAINFALL SUMMARY

13C North Hollywood-Lakeside

Gage Type: Standard 8 inch diameter (DPW)

Observation Time: 800

Latitude 34-08-46

Longitude: 118-21-13

Elevation: 550 Feet

Water Year from 10/01/2001 to 09/30/2002

Day	Oct	Nov	Dec	Jan	Feb	Mar	Apr	May	Jun	Jul	Aug	Sep
1												
2												
3			0.20	0.20								
4												
5												
6												
7						0.09						
8												
9												
10			0.13									
11												
12												
13		0.63										
14												
15			0.05									
16												
17					0.07							
18					0.26	0.05						
19												
20												
21			0.63					0.10	0.03			
22												
23												
24												
25		1.95										
26												
27												
28				1.30								
29		0.02	0.05									0.04
30		0.20	0.34									
31	0.10											
Totals	0.10	2.80	1.40	1.50	0.33	0.14	0.00	0.10	0.03	0.00	0.00	0.04
												Water Year Total: 6.44

NOTE: All Values are in units of inches, unless otherwise specified.

LEGEND: A - Acculated Total
 E - Estimated
 T - Trace, unmeasurable amount of rain

Data Revised: March 2011

PRECIPITATION

DAILY RAINFALL SUMMARY

17 Sepulveda Canyon At Mulholland

Gage Type: Daily Automatic (DPW)

Observation Time: 2400

Latitude 34-07-51

Longitude: 118-29-26

Elevation: 1425 Feet

Water Year from 10/01/2001 to 09/30/2002

Day	Oct	Nov	Dec	Jan	Feb	Mar	Apr	May	Jun	Jul	Aug	Sep
1												
2			0.12E									
3			0.20E									
4												
5												
6				0.23								
7						0.04						
8												
9												
10												
11		0.16E										
12		0.43E										
13												
14			0.07									
15							0.12					
16												
17						0.08						
18					0.24							
19												
20			0.44				0.24				0.04	
21			0.12									
22												
23												
24		1.73E										
25												
26												
27				1.03								
28												
29		0.47E	0.43									
30	0.16		0.04	0.08								
31												
Totals	0.16	2.79	1.42	1.34	0.24	0.12	0.12	0.24	0.00	0.00	0.04	0.00
												Water Year Total: 6.47

NOTE: All Values are in units of inches, unless otherwise specified.

LEGEND: A - Acculated Total
 E - Estimated
 T - Trace, unmeasurable amount of rain

Data Revised: March 2011

PRECIPITATION

DAILY RAINFALL SUMMARY

20B Girard Reservoir

Gage Type: Standard 8 inch diameter (DPW)

Observation Time: 800

Latitude 34-09-07

Longitude: 118-36-36

Elevation: 986 Feet

Water Year from 10/01/2001 to 09/30/2002

Day	Oct	Nov	Dec	Jan	Feb	Mar	Apr	May	Jun	Jul	Aug	Sep
1												
2												
3			0.14	0.25								
4		0.02										
5												
6												0.01
7						0.12						
8												
9												
10												
11		0.05										
12		0.03										
13		0.82										
14			0.03									
15			0.07				0.03					
16				0.02								
17					0.13							
18												
19												
20								0.11				
21			0.35									
22			0.02									
23			0.01									
24		0.06										
25		1.07										
26												
27												
28				0.65								
29		0.38	0.15									
30	A		0.35	0.02								
31	0.17A		0.10									
Totals	0.17	2.43	1.22	0.94	0.13	0.12	0.03	0.11	0.00	0.00	0.00	0.01
												Water Year Total: 5.16

NOTE: All Values are in units of inches, unless otherwise specified.

LEGEND: A - Acculated Total

E - Estimated

T - Trace, unmeasurable amount of rain

Data Revised: March 2011

PRECIPITATION

DAILY RAINFALL SUMMARY

21B Woodland Hills

Gage Type: Standard 8 inch diameter (DPW)

Observation Time: 800

Latitude 34-10-14

Longitude: 118-35-33

Elevation: 875 Feet

Water Year from 10/01/2001 to 09/30/2002

Day	Oct	Nov	Dec	Jan	Feb	Mar	Apr	May	Jun	Jul	Aug	Sep
1												
2			0.14									
3				0.02								
4												
5												0.02
6												
7						0.08						
8												
9												
10												
11		0.05										
12		0.60										
13												
14			0.08									
15							0.03					
16				0.08								
17					0.11							
18						0.05						
19												
20			0.01					0.11				
21			0.04									
22												
23												
24		0.77										
25												
26												
27				0.48								
28												
29		0.30	0.45									
30	0.14		0.70									
31			0.05									
Totals	0.14	1.72	1.47	0.58	0.11	0.13	0.03	0.11	0.00	0.00	0.00	0.02
												Water Year Total: 4.31

NOTE: All Values are in units of inches, unless otherwise specified.

LEGEND: A - Acculated Total
 E - Estimated
 T - Trace, unmeasurable amount of rain

Data Revised: March 2011

PRECIPITATION

DAILY RAINFALL SUMMARY

23B Chatsworth Reservoir

Gage Type: Standard 8 inch diameter

Observation Time: 800

Latitude 34-13-44

Longitude: 118-37-18

Elevation: 900 Feet

Water Year from 10/01/2001 to 09/30/2002

Day	Oct	Nov	Dec	Jan	Feb	Mar	Apr	May	Jun	Jul	Aug	Sep
1												
2			0.08	0.21								
3			0.13									
4												
5												
6						0.06						
7						0.11						
8												
9												
10												
11		0.19										
12		0.38										
13												
14			0.10									
15							0.07					
16												
17					0.21	0.02						
18												
19												
20			0.41					0.14				
21			0.08									
22												
23												
24		0.86										
25												
26												
27				0.78								
28												
29		0.35	0.42	0.01								
30	A		0.05									
31	0.21A											
Totals	0.21	1.78	1.27	1.00	0.21	0.19	0.07	0.14	0.00	0.00	0.00	0.00
												Water Year Total: 4.87

NOTE: All Values are in units of inches, unless otherwise specified.

LEGEND: A - Acculated Total

E - Estimated

T - Trace, unmeasurable amount of rain

Data Revised: March 2011

PRECIPITATION

DAILY RAINFALL SUMMARY

25C Northridge-L.A.D.W.P.

Gage Type: Standard 8 inch diameter

Observation Time: 800

Latitude 34-13-52

Longitude: 118-32-28

Elevation: 810 Feet

Water Year from 10/01/2001 to 09/30/2002

Day	Oct	Nov	Dec	Jan	Feb	Mar	Apr	May	Jun	Jul	Aug	Sep
1												
2			0.03									
3			0.16	0.14								
4												
5												
6						0.03	0.01					
7						0.05						
8												
9												
10												
11		0.08										
12		0.49										
13		0.02										
14												
15				0.01			0.04					
16				0.12								
17					0.15	0.04						
18						0.01						
19												
20			0.09					0.13				
21			0.01									
22												
23						0.09						
24		1.01				0.02						
25												
26												
27				0.82								
28				0.03								0.01
29		0.29	0.31									
30	A		0.04									
31	0.04A											
Totals	0.04	1.89	0.64	1.12	0.15	0.24	0.05	0.13	0.00	0.00	0.00	0.01
												Water Year Total: 4.27

NOTE: All Values are in units of inches, unless otherwise specified.

LEGEND: A - Acculated Total

E - Estimated

T - Trace, unmeasurable amount of rain

Data Revised: March 2011

PRECIPITATION

DAILY RAINFALL SUMMARY

32C Newhall - Fire Station 73

Gage Type: Standard recording gage (DPW)

Observation Time: 800

Latitude 34-23-07

Longitude: 118-31-54

Elevation: 1243 Feet

Water Year from 10/01/2001 to 09/30/2002

Day	Oct	Nov	Dec	Jan	Feb	Mar	Apr	May	Jun	Jul	Aug	Sep
1												
2												
3			0.08E	0.19								
4			0.12E									
5												
6						0.04E						
7						0.04E						
8												
9												
10												
11		0.04E										
12		0.64E										
13			0.08E									
14			0.16E				0.04					
15												
16												
17					0.94	0.08E						
18												
19												
20			0.26E					0.04				
21												
22												
23						0.22						
24		1.68E										
25							T					
26												
27				0.48								
28				0.18								T
29		0.48E	0.56									0.01
30	0.08		0.06									
31	0.23											
Totals	0.31	2.84	1.32	0.85	0.94	0.38	0.04	0.04	0.00	0.00	0.00	0.01
												Water Year Total: 6.73

NOTE: All Values are in units of inches, unless otherwise specified.

LEGEND: A - Acculated Total
 E - Estimated
 T - Trace, unmeasurable amount of rain

Data Revised: March 2011

PRECIPITATION

DAILY RAINFALL SUMMARY

33A Pacoima Dam

Gage Type: Standard 8 inch diameter (DPW)

Observation Time: 800

Latitude 34-19-48

Longitude: 118-23-59

Elevation: 1500 Feet

Water Year from 10/01/2001 to 09/30/2002

Day	Oct	Nov	Dec	Jan	Feb	Mar	Apr	May	Jun	Jul	Aug	Sep
1			T									
2												
3			0.25	0.14								
4												
5		0.01										
6							0.01					0.01
7						0.67	T					
8						T						
9									0.06			
10			0.06						0.01			
11		0.11										
12		0.12										
13		0.67										
14												
15			0.18				0.03					
16				0.24								
17				T	0.35							
18					0.28	0.28						
19								0.03				
20								0.03				
21			0.65					0.80	0.03			
22			T						0.03			
23						0.11						
24						T						
25		0.96										
26												
27							0.05					
28				1.45								0.03
29		0.07	0.05									0.55
30	0.01	0.26	0.21									
31	0.14		0.04									
Totals	0.15	2.20	1.44	1.83	0.63	1.06	0.09	0.86	0.13	0.00	0.00	0.59
												Water Year Total: 8.98

NOTE: All Values are in units of inches, unless otherwise specified.

LEGEND: A - Acculated Total

E - Estimated

T - Trace, unmeasurable amount of rain

Data Revised: March 2011

PRECIPITATION

DAILY RAINFALL SUMMARY

42C Redondo Beach-City Hall

Gage Type: Standard 8 inch diameter (DPW)

Observation Time: 800

Latitude 33-50-43

Longitude: 118-23-20

Elevation: 70 Feet

Water Year from 10/01/2001 to 09/30/2002

Day	Oct	Nov	Dec	Jan	Feb	Mar	Apr	May	Jun	Jul	Aug	Sep
1												
2			0.06									
3			0.10									
4		0.06								0.01		
5												
6												
7						0.02						
8												
9												
10												
11		0.02										
12												
13		0.40										
14			0.14									
15							0.02					
16			0.30									
17					0.22	0.05						
18												
19								0.02				
20			0.05					0.12				
21			0.22						0.01			
22						0.01						
23						0.04						
24		0.52										
25												
26												
27												
28												0.02
29		0.49	0.48									
30	0.04											
31												
Totals	0.04	1.49	1.35	0.00	0.22	0.12	0.02	0.14	0.01	0.01	0.00	0.02
												Water Year Total: 3.42

NOTE: All Values are in units of inches, unless otherwise specified.

LEGEND: A - Acculated Total
 E - Estimated
 T - Trace, unmeasurable amount of rain

Data Revised: March 2011

PRECIPITATION

DAILY RAINFALL SUMMARY

43D Palos Verdes Estates

Gage Type: Standard 8 inch diameter (DPW)

Observation Time: 800

Latitude 33-47-58

Longitude: 118-23-29

Elevation: 216 Feet

Water Year from 10/01/2001 to 09/30/2002

Day	Oct	Nov	Dec	Jan	Feb	Mar	Apr	May	Jun	Jul	Aug	Sep
1												
2												
3				0.08								
4												
5												
6												
7						0.02						
8												
9												
10												
11		0.09										
12												
13		0.58										
14			0.11									
15							0.04					
16												
17					0.20							
18						0.06						
19												
20								0.28				
21			0.30									
22												
23												
24		0.62										
25												
26												
27												
28				0.64								
29		0.48		0.14								
30	0.03											
31			0.64									
Totals	0.03	1.77	1.05	0.86	0.20	0.08	0.04	0.28	0.00	0.00	0.00	0.00
												Water Year Total: 4.31

NOTE: All Values are in units of inches, unless otherwise specified.

LEGEND: A - Acculated Total
 E - Estimated
 T - Trace, unmeasurable amount of rain

Data Revised: March 2011

PRECIPITATION

DAILY RAINFALL SUMMARY

44A Point Vicente Lighthouse

Gage Type: Daily Automatic (DPW)

Observation Time: 2400

Latitude 33-44-30

Longitude: 118-24-38

Elevation: 125 Feet

Water Year from 10/01/2001 to 09/30/2002

Day	Oct	Nov	Dec	Jan	Feb	Mar	Apr	May	Jun	Jul	Aug	Sep
1												
2												
3			0.08									
4												
5												
6				0.08								
7												
8												
9												
10			0.20									
11												
12		0.44										
13												
14			0.12									
15							0.04					
16		1.08										
17					0.12	0.04						
18												
19												
20								0.20				
21			0.20									
22												
23						0.04						
24		0.28										
25												
26							0.04					
27				0.20								
28				0.08								
29		0.32	0.32									
30			0.16									
31												
Totals	0.00	2.12	1.08	0.36	0.12	0.08	0.08	0.20	0.00	0.00	0.00	0.00
												Water Year Total: 4.04

NOTE: All Values are in units of inches, unless otherwise specified.

LEGEND: A - Acculated Total

E - Estimated

T - Trace, unmeasurable amount of rain

Data Revised: March 2011

PRECIPITATION

DAILY RAINFALL SUMMARY

46D Big Tujunga Dam

Gage Type: Standard 8 inch diameter (DPW)

Observation Time: 800

Latitude 34-17-40

Longitude: 118-11-14

Elevation: 2315 Feet

Water Year from 10/01/2001 to 09/30/2002

Day	Oct	Nov	Dec	Jan	Feb	Mar	Apr	May	Jun	Jul	Aug	Sep
1												
2												
3			0.27	0.10								
4			0.10									
5												
6							T					T
7						0.27	0.03					
8						0.03						
9												
10			0.26									
11		0.05										
12												
13		0.84										
14												
15			0.15									
16				0.16								
17					0.20							
18						0.32						
19												
20												
21			0.85					0.50				
22			0.03									
23						0.03						
24						0.05						
25		1.29					0.03					
26												
27												
28				2.10								
29		0.05	0.15	0.05		0.02						0.03
30		0.22	0.14									
31	0.20		0.08									
Totals	0.20	2.45	2.03	2.41	0.20	0.72	0.06	0.50	0.00	0.00	0.00	0.03
												Water Year Total: 8.60

NOTE: All Values are in units of inches, unless otherwise specified.

LEGEND: A - Acculated Total

E - Estimated

T - Trace, unmeasurable amount of rain

Data Revised: March 2011

PRECIPITATION

DAILY RAINFALL SUMMARY

47D Clear Creek-City School

Gage Type: Daily Automatic (DPW)

Observation Time: 2400

Latitude 34-16-38

Longitude: 118-10-12

Elevation: 3150 Feet

Water Year from 10/01/2001 to 09/30/2002

Day	Oct	Nov	Dec	Jan	Feb	Mar	Apr	May	Jun	Jul	Aug	Sep
1												
2			0.20									
3			0.32									
4												
5												
6				0.12		0.44						
7						0.12						
8											0.08	
9			0.16									
10			0.04									
11		0.12										
12		1.08										
13												
14	0.04		0.28									
15				0.04			0.04					
16				0.08								
17					0.40	0.48						
18												
19												
20			0.64					0.64				
21			0.20									
22												
23												
24		1.64				0.04	0.04					
25												
26												
27				2.60			0.04					
28				0.08								0.23
29		0.24	0.24								0.20	0.16
30	0.20		0.08									
31												
Totals	0.24	3.08	2.16	2.92	0.40	1.08	0.12	0.64	0.00	0.00	0.28	0.39
											Water Year Total:	11.31

NOTE: All Values are in units of inches, unless otherwise specified.

LEGEND: A - Acculated Total
 E - Estimated
 T - Trace, unmeasurable amount of rain

Data Revised: March 2011

PRECIPITATION

DAILY RAINFALL SUMMARY

54C Loomis Ranch-Alder Creek

Gage Type: Daily Automatic (DPW)

Observation Time: 2400

Latitude 34-20-55

Longitude: 118-02-54

Elevation: 4325 Feet

Water Year from 10/01/2001 to 09/30/2002

Day	Oct	Nov	Dec	Jan	Feb	Mar	Apr	May	Jun	Jul	Aug	Sep
1												
2			0.08									
3			0.08									
4			0.04									
5												
6				0.08		0.16						
7						0.08						
8												
9												
10												
11												
12		0.56										
13												
14			0.16									
15												
16												
17					0.12							
18						0.24						
19												
20								0.20				
21			0.52									
22												
23						0.12						
24		0.84					0.04					
25												
26												
27				0.60								
28				0.08		0.04						
29		0.16	0.24	0.12								
30	0.20		0.04									
31												
Totals	0.20	1.56	1.16	0.88	0.12	0.64	0.04	0.20	0.00	0.00	0.00	0.00
												Water Year Total: 4.80

NOTE: All Values are in units of inches, unless otherwise specified.

LEGEND: A - Acculated Total
 E - Estimated
 T - Trace, unmeasurable amount of rain

Data Revised: March 2011

PRECIPITATION

DAILY RAINFALL SUMMARY

63C Santa Anita Dam

Gage Type: Daily Automatic (DPW)

Observation Time: 2400

Latitude 34-11-03

Longitude: 118-01-12

Elevation: 1400 Feet

Water Year from 10/01/2001 to 09/30/2002

Day	Oct	Nov	Dec	Jan	Feb	Mar	Apr	May	Jun	Jul	Aug	Sep
1												
2												
3			0.39	0.05								
4												
5		0.04										
6												
7						0.41						
8						0.10						
9									0.06			
10			0.05									
11		0.06										
12		0.05										
13		0.55										
14												
15			0.43				0.11					
16				0.18			0.02					
17				0.06	0.39							
18					0.09	0.61						
19												
20								0.05				
21			1.08				0.32	0.03				
22			0.05					0.05				
23						0.03						
24						0.05						
25		1.89				T	0.14					
26							0.02					
27												
28				2.00								
29			0.07	0.02		T						
30		0.13	0.13									
31	0.06		0.04									
Totals	0.06	2.72	2.24	2.31	0.48	1.20	0.29	0.37	0.14	0.00	0.00	0.00
										Water Year Total:		9.81

NOTE: All Values are in units of inches, unless otherwise specified.

LEGEND: A - Acculated Total
 E - Estimated
 T - Trace, unmeasurable amount of rain

Data Revised: March 2011

PRECIPITATION

DAILY RAINFALL SUMMARY

68C **Sawpit Dam**

Gage Type: Standard 8 inch diameter (DPW)

Observation Time: 800

Latitude 34-10-30

Longitude: 117-59-07

Elevation: 1375 Feet

Water Year from 10/01/2001 to 09/30/2002

Day	Oct	Nov	Dec	Jan	Feb	Mar	Apr	May	Jun	Jul	Aug	Sep
1												
2			0.04									
3			0.28									
4												
5												
6						0.12						
7						0.28						
8							0.04					
9			0.04						0.04			
10												
11		0.08										
12		0.64										
13		0.04										
14			0.52								0.16	
15							0.16					
16				0.60								
17					0.60	0.68	0.04					
18												
19								0.04				
20			1.04					0.56				
21			0.20						0.12			
22												
23						0.08						
24		1.92					0.12					
25												
26							0.04					
27				2.68								
28				0.04								0.16
29		0.12	0.12	0.04								
30	0.04		0.04									
31												
Totals	0.04	2.80	2.28	3.36	0.60	1.16	0.40	0.60	0.16	0.00	0.16	0.16
										Water Year Total:		11.72

NOTE: All Values are in units of inches, unless otherwise specified.

LEGEND: A - Acculated Total
 E - Estimated
 T - Trace, unmeasurable amount of rain

Data Revised: March 2011

PRECIPITATION

DAILY RAINFALL SUMMARY

82F Table Mountain

Gage Type: Standard 8 inch diameter (DPW)

Observation Time: 800

Latitude 34-22-56

Longitude: 117-40-39

Elevation: 7420 Feet

Water Year from 10/01/2001 to 09/30/2002

Day	Oct	Nov	Dec	Jan	Feb	Mar	Apr	May	Jun	Jul	Aug	Sep
1												
2												
3			0.27									
4			0.34									
5												
6												
7												
8												
9												
10			0.17									
11												
12		0.38										
13												
14												
15												
16												
17					0.07							
18						0.29						
19												
20												
21			0.04					0.26				
22												
23												
24		0.54					0.08					
25												
26												
27												
28				2.47		0.12						
29		0.35		0.37								
30												
31	0.27											
Totals	0.27	1.27	0.82	2.84	0.07	0.41	0.08	0.26	0.00	0.00	0.00	0.00
												Water Year Total: 6.02

NOTE: All Values are in units of inches, unless otherwise specified.

LEGEND: A - Acculated Total
 E - Estimated
 T - Trace, unmeasurable amount of rain

Data Revised: March 2011

PRECIPITATION

DAILY RAINFALL SUMMARY

83B Big Pines Recreation Park

Gage Type: Daily Automatic (DPW)

Observation Time: 2400

Latitude 34-22-44

Longitude: 117-41-20

Elevation: 6860 Feet

Water Year from 10/01/2001 to 09/30/2002

Day	Oct	Nov	Dec	Jan	Feb	Mar	Apr	May	Jun	Jul	Aug	Sep
1												
2			0.12									
3			0.36									
4		0.04	0.28									
5			0.04									
6						0.12						
7						0.08						
8						0.04						
9												
10			0.16									
11		0.04	0.04									
12		0.52										
13												
14												
15			0.20									
16												
17					0.07E							
18						0.43						
19												
20								0.35				
21			0.32					0.04				
22			0.04									
23												
24		1.16					0.12					
25												
26												
27												
28				1.52E		0.12						
29			0.32	0.21E								
30	0.36	0.28										
31												
Totals	0.36	2.04	1.88	1.73	0.07	0.79	0.12	0.39	0.00	0.00	0.00	0.00
									Water Year Total:			7.38

NOTE: All Values are in units of inches, unless otherwise specified.

LEGEND: A - Acculated Total
 E - Estimated
 T - Trace, unmeasurable amount of rain

Data Revised: March 2011

PRECIPITATION

DAILY RAINFALL SUMMARY

89B San Dimas Dam

Gage Type: Standard 8 inch diameter (DPW)

Observation Time: 800

Latitude 34-09-10

Longitude: 117-46-17

Elevation: 1350 Feet

Water Year from 10/01/2001 to 09/30/2002

Day	Oct	Nov	Dec	Jan	Feb	Mar	Apr	May	Jun	Jul	Aug	Sep
1				T								
2												
3			0.29	0.03								
4		0.02	0.02									
5		0.02										
6							T					
7						0.34	0.03	T				
8						0.08	T					
9									0.01			
10			0.07									
11		0.04	0.07									
12		0.02										
13		0.37				0.10						
14												
15			0.54				0.07					
16							T					
17					0.20		T					
18					0.44	1.08						
19								T				
20								T				
21			1.18					0.42				
22			0.04									
23			0.03			0.10						
24						0.05						
25		1.98				0.06	0.11					
26												
27							0.26					
28				1.91			T					
29			0.02	0.02		0.02						
30		0.06	0.17	T								
31	0.04		0.02									
Totals	0.04	2.51	2.45	1.96	0.64	1.83	0.47	0.42	0.01	0.00	0.00	0.00
												Water Year Total: 10.33

NOTE: All Values are in units of inches, unless otherwise specified.

LEGEND: A - Acculated Total

E - Estimated

T - Trace, unmeasurable amount of rain

Data Revised: March 2011

PRECIPITATION

DAILY RAINFALL SUMMARY

93C Claremont-Police Station

Gage Type: 8.81 inch diameter (DPW)

Observation Time: 800

Latitude 34-05-45

Longitude: 117-43-18

Elevation: 1170 Feet

Water Year from 10/01/2001 to 09/30/2002

Day	Oct	Nov	Dec	Jan	Feb	Mar	Apr	May	Jun	Jul	Aug	Sep
1												
2												
3			0.17									
4		0.04										
5							0.03					0.01
6												
7						0.02						
8												
9												
10												
11												
12												
13		0.26										
14			0.50									
15							0.01					
16												
17					0.29	0.01						
18						0.60						
19												
20								0.33				
21			0.72						0.03			
22												
23						0.12						
24		1.73					0.12					
25												
26												
27				0.20			0.01					
28				0.72								
29		0.10	0.17	0.01								
30	0.04											
31												
Totals	0.04	2.13	1.56	0.93	0.29	0.75	0.17	0.33	0.03	0.00	0.00	0.01
										Water Year Total:		6.24

NOTE: All Values are in units of inches, unless otherwise specified.

LEGEND: A - Acculated Total
 E - Estimated
 T - Trace, unmeasurable amount of rain

Data Revised: March 2011

PRECIPITATION

DAILY RAINFALL SUMMARY

95 San Dimas-Fire Warden

Gage Type: Standard 8 inch diameter (DPW)

Observation Time: 800

Latitude 34-06-26

Longitude: 117-48-19

Elevation: 955 Feet

Water Year from 10/01/2001 to 09/30/2002

Day	Oct	Nov	Dec	Jan	Feb	Mar	Apr	May	Jun	Jul	Aug	Sep
1												
2												
3			0.18	0.11								
4												
5												
6												
7												
8												
9												
10												
11		0.01E										
12		0.36E										
13												
14												
15			0.38									
16												
17												
18					0.35	1.00						
19												
20								0.30				
21			0.48									
22												
23												
24		1.45E					0.04					
25												
26												
27												
28				1.20								
29		0.05E										
30												
31	0.05E											
Totals	0.05	1.87	1.04	1.31	0.35	1.00	0.04	0.30	0.00	0.00	0.00	0.00
												Water Year Total: 5.96

NOTE: All Values are in units of inches, unless otherwise specified.

LEGEND: A - Acculated Total
 E - Estimated
 T - Trace, unmeasurable amount of rain

Data Revised: March 2011

PRECIPITATION

DAILY RAINFALL SUMMARY

96C Puddingstone Dam

Gage Type: Daily Automatic (DPW)

Observation Time: 2400

Latitude 34-05-31

Longitude: 117-48-24

Elevation: 1030 Feet

Water Year from 10/01/2001 to 09/30/2002

Day	Oct	Nov	Dec	Jan	Feb	Mar	Apr	May	Jun	Jul	Aug	Sep
1												
2												
3			0.14	0.03								
4												
5		0.02										
6												
7						0.04						
8												
9												
10												
11		0.02										
12		0.03										
13		0.34										
14												
15			0.44									
16												
17					0.17							
18					0.25	0.37						
19								T				
20												
21			0.97					0.22				
22			0.05									
23					0.07							
24												
25		1.89					0.08					
26												
27							0.02					
28				1.13								
29			0.03	T								
30		0.07	0.15									
31	0.06		0.01									
Totals	0.06	2.37	1.79	1.16	0.42	0.48	0.10	0.22	0.00	0.00	0.00	0.00
												Water Year Total: 6.60

NOTE: All Values are in units of inches, unless otherwise specified.

LEGEND: A - Acculated Total

 E - Estimated

 T - Trace, unmeasurable amount of rain

Data Revised: March 2011

PRECIPITATION

DAILY RAINFALL SUMMARY

106F Whittier City Yard

Gage Type: Standard 8 inch diameter (DPW)

Observation Time: 800

Latitude 33-58-57

Longitude: 118-02-50

Elevation: 300 Feet

Water Year from 10/01/2001 to 09/30/2002

Day	Oct	Nov	Dec	Jan	Feb	Mar	Apr	May	Jun	Jul	Aug	Sep
1												
2			0.24									
3												
4												
5												
6												
7												
8												
9												
10												
11		0.03										
12		0.27										
13												
14												
15							0.14					
16												
17					0.24							
18												
19												
20			0.04					0.23				
21			0.45									
22												
23						0.09						
24		0.69					0.07					
25												
26							0.10					
27				0.60								
28												
29			0.19									
30	0.03		0.07									
31												
Totals	0.03	0.99	0.99	0.60	0.24	0.09	0.31	0.23	0.00	0.00	0.00	0.00
												Water Year Total: 3.48

NOTE: All Values are in units of inches, unless otherwise specified.

LEGEND: A - Acculated Total
 E - Estimated
 T - Trace, unmeasurable amount of rain

Data Revised: March 2011

PRECIPITATION

DAILY RAINFALL SUMMARY

107D Downey-Fire Department

Gage Type: Standard 8 inch diameter (DPW)

Observation Time: 800

Latitude 33-55-48

Longitude: 118-08-47

Elevation: 110 Feet

Water Year from 10/01/2001 to 09/30/2002

Day	Oct	Nov	Dec	Jan	Feb	Mar	Apr	May	Jun	Jul	Aug	Sep
1												
2												
3			0.40									
4												
5												
6												
7												
8												
9												
10												
11												
12												
13		0.33										
14												
15							0.01E					
16												
17					0.21E	0.32						
18												
19												
20												
21												
22												
23						0.14						
24		0.55					0.05E					
25												
26							0.01E					
27												
28				0.51								
29			0.27									
30												
31												
Totals	0.00	0.88	0.67	0.51	0.21	0.46	0.07	0.00	0.00	0.00	0.00	0.00
												Water Year Total: 2.80

NOTE: All Values are in units of inches, unless otherwise specified.

LEGEND: A - Acculated Total
 E - Estimated
 T - Trace, unmeasurable amount of rain

Data Revised: March 2011

PRECIPITATION

DAILY RAINFALL SUMMARY

108D El Monte Fire Station

Gage Type: Standard 8 inch diameter (DPW)

Observation Time: 800

Latitude 34-04-30

Longitude: 118-02-30

Elevation: 275 Feet

Water Year from 10/01/2001 to 09/30/2002

Day	Oct	Nov	Dec	Jan	Feb	Mar	Apr	May	Jun	Jul	Aug	Sep
1												
2			0.29E									
3												
4												
5												
6												
7												
8												
9			0.19E									
10												
11												
12		0.37										
13												
14			0.52E									
15												
16						A						
17					0.45A							
18						0.31	0.10					
19												
20			0.48E					0.19E				
21			0.08E									
22												
23												
24												
25		1.88										
26												
27												
28			0.03E									
29			0.26E	0.86								
30	0.01E	0.13										
31			0.07E									
Totals	0.01	2.38	1.92	0.86	0.45	0.31	0.10	0.19	0.00	0.00	0.00	0.00
												Water Year Total: 6.22

NOTE: All Values are in units of inches, unless otherwise specified.

LEGEND: A - Acculated Total
 E - Estimated
 T - Trace, unmeasurable amount of rain

Data Revised: March 2011

PRECIPITATION

DAILY RAINFALL SUMMARY

109D West Arcadia

Gage Type: Standard 8 inch diameter (DPW)

Observation Time: 800

Latitude 34-07-42

Longitude: 118-04-22

Elevation: 547 Feet

Water Year from 10/01/2001 to 09/30/2002

Day	Oct	Nov	Dec	Jan	Feb	Mar	Apr	May	Jun	Jul	Aug	Sep
1												
2												
3												
4												
5												
6												
7						0.55						
8												
9									0.02			
10												
11												
12												
13		0.62										
14			0.26									
15							0.05					
16												
17						0.26						
18		1.85			0.39							
19								0.03E				
20								0.18E				
21			0.83							0.04		
22						T						
23												
24						T	0.12					
25												
26												
27												
28				1.65								0.13
29		0.11	0.18									
30	0.05		0.04									
31												
Totals	0.05	2.58	1.31	1.65	0.39	0.81	0.17	0.21	0.06	0.00	0.00	0.13
												Water Year Total: 7.36

NOTE: All Values are in units of inches, unless otherwise specified.

LEGEND: A - Acculated Total
 E - Estimated
 T - Trace, unmeasurable amount of rain

Data Revised: March 2011

PRECIPITATION

DAILY RAINFALL SUMMARY

120 Vincent Patrol Station

Gage Type: Standard 8 inch diameter (DPW)

Observation Time: 800

Latitude 34-29-17

Longitude: 118-08-27

Elevation: 3135 Feet

Water Year from 10/01/2001 to 09/30/2002

Day	Oct	Nov	Dec	Jan	Feb	Mar	Apr	May	Jun	Jul	Aug	Sep
1												
2												
3				0.13								
4			0.21									
5												
6												
7						0.12						
8												
9												
10			0.20									
11												
12												
13												
14												
15			0.20									
16												
17			0.20		0.02							
18					0.03							
19												
20								0.03				
21												
22			0.50									
23												
24		0.22										
25							0.01					
26		0.67										
27												
28		0.68		0.60								
29		0.69	0.11									0.01
30												
31												
Totals	0.00	2.26	1.42	0.73	0.05	0.12	0.01	0.03	0.00	0.00	0.00	0.01
	Water Year Total:											4.63

NOTE: All Values are in units of inches, unless otherwise specified.

LEGEND: A - Acculated Total
 E - Estimated
 T - Trace, unmeasurable amount of rain

Data Revised: March 2011

PRECIPITATION

DAILY RAINFALL SUMMARY

125B San Francisquito Canyon Ph#1 - Saugus

Gage Type: Standard 8 inch diameter

Observation Time: 800

Latitude 34-35-25

Longitude: 118-27-15

Elevation: 2105 Feet

Water Year from 10/01/2001 to 09/30/2002

Day	Oct	Nov	Dec	Jan	Feb	Mar	Apr	May	Jun	Jul	Aug	Sep
1												
2												
3			0.46	0.02								
4			0.12									
5												
6							0.02					
7						0.40						
8						0.02						
9												
10			T									
11		0.27										
12		0.06										
13		0.50										
14			0.04									
15			0.01				0.12					
16												
17					0.46							
18					0.04	0.12						
19												
20			0.02					0.10				
21			0.53									
22			T									
23						0.06						
24		1.37				0.27						
25		0.08										
26							T					
27				0.08			T					
28				0.82								0.01
29		0.51	0.25	0.11								
30	0.12		0.03									
31	0.23		0.06									
Totals	0.35	2.79	1.52	1.03	0.50	0.87	0.14	0.10	0.00	0.00	0.00	0.01
												Water Year Total: 7.31

NOTE: All Values are in units of inches, unless otherwise specified.

LEGEND: A - Acculated Total
 E - Estimated
 T - Trace, unmeasurable amount of rain

Data Revised: March 2011

PRECIPITATION

DAILY RAINFALL SUMMARY

134C Puddingstone Diversion

Gage Type: 8.81 inch diameter (DPW)

Observation Time: 800

Latitude 34-07-52

Longitude: 117-46-55

Elevation: 1160 Feet

Water Year from 10/01/2001 to 09/30/2002

Day	Oct	Nov	Dec	Jan	Feb	Mar	Apr	May	Jun	Jul	Aug	Sep
1												
2												
3			0.11	0.03								
4		0.01	T									
5		0.02										
6												
7						0.15	0.02	T				
8							T					
9									0.03			
10			0.23									
11		0.03	T									
12		0.02										
13		0.27				0.03						
14												
15			0.50				0.06					
16							0.02					
17					0.20							
18					0.18	0.83						
19								0.03				
20								T				
21			0.95					0.29				
22			T									
23						0.06						
24						T						
25		1.77					0.10					
26												
27				1.38			0.07					
28				T			T					
29			T			T						
30		0.05	0.11									
31	0.06		0.02									
Totals	0.06	2.17	1.92	1.41	0.38	1.07	0.27	0.32	0.03	0.00	0.00	0.00
	Water Year Total:											7.63

NOTE: All Values are in units of inches, unless otherwise specified.

LEGEND: A - Acculated Total

E - Estimated

T - Trace, unmeasurable amount of rain

Data Revised: March 2011

PRECIPITATION

DAILY RAINFALL SUMMARY

144 Sierra Madre Dam

Gage Type: Standard 8 inch diameter (DPW)

Observation Time: 800

Latitude 34-10-34

Longitude: 118-02-32

Elevation: 1100 Feet

Water Year from 10/01/2001 to 09/30/2002

Day	Oct	Nov	Dec	Jan	Feb	Mar	Apr	May	Jun	Jul	Aug	Sep
1												
2												
3			0.33	0.07								
4												
5												
6												
7						0.35						
8												
9												
10												
11												
12		0.11										
13		0.72										
14												
15			0.35				0.17					
16				0.14			0.03					
17					0.17							
18					0.32	0.54						
19								A				
20							0.44A			0.05		
21			1.07						0.10			
22			0.05						0.12			
23												
24												
25		1.95					0.11					
26												
27												
28				2.00								
29			0.02	0.04								0.05
30		0.08	0.11									
31	0.04		0.10									
Totals	0.04	2.86	2.03	2.25	0.49	0.89	0.31	0.44	0.22	0.00	0.05	0.05
										Water Year Total:		9.63

NOTE: All Values are in units of inches, unless otherwise specified.

LEGEND: A - Acculated Total
 E - Estimated
 T - Trace, unmeasurable amount of rain

Data Revised: March 2011

PRECIPITATION

DAILY RAINFALL SUMMARY

156B La Mirada-Standard Oil Company

Gage Type: Daily Automatic (DPW)

Observation Time: 2400

Latitude 33-52-59

Longitude: 118-01-00

Elevation: 75 Feet

Water Year from 10/01/2001 to 09/30/2002

Day	Oct	Nov	Dec	Jan	Feb	Mar	Apr	May	Jun	Jul	Aug	Sep
1												
2			0.20E	0.04								
3												
4												
5												
6												
7						0.19						
8												
9												
10												
11												
12		0.28										
13												
14			0.18E									
15							0.08					
16												
17					0.12	0.08						
18												
19												
20								0.08				
21			0.31E									
22			0.02E									
23						0.08						
24		0.88					0.04					
25												
26							0.12					
27				0.28								
28				0.08								
29		0.12	0.19E									
30												
31			0.09E									
Totals	0.00	1.28	0.99	0.40	0.12	0.35	0.24	0.08	0.00	0.00	0.00	0.00
												Water Year Total: 3.46

NOTE: All Values are in units of inches, unless otherwise specified.

LEGEND: A - Acculated Total
 E - Estimated
 T - Trace, unmeasurable amount of rain

Data Revised: March 2011

PRECIPITATION

DAILY RAINFALL SUMMARY

167C Arcadia Pumping Plant #1

Gage Type: Standard 8 inch diameter (DPW)

Observation Time: 800

Latitude 34-09-31

Longitude: 118-02-02

Elevation: 611 Feet

Water Year from 10/01/2001 to 09/30/2002

Day	Oct	Nov	Dec	Jan	Feb	Mar	Apr	May	Jun	Jul	Aug	Sep
1												
2												
3				0.05								
4		0.05										
5												
6							T					
7						0.20						
8												
9												
10												
11		0.02										
12												
13		0.50										
14			0.30									
15							0.05					
16												
17				0.45	0.42							
18						0.45						
19								0.05				
20								0.20				
21			0.87							0.07		
22												
23						0.02						
24		1.70					0.10					
25		0.01					0.01					
26												
27												
28				1.65								
29		0.08	0.10	0.02								T
30												
31												
Totals	0.00	2.36	1.27	2.17	0.42	0.67	0.16	0.25	0.00	0.07	0.00	0.00
												Water Year Total: 7.37

NOTE: All Values are in units of inches, unless otherwise specified.

LEGEND: A - Acculated Total
 E - Estimated
 T - Trace, unmeasurable amount of rain

Data Revised: March 2011

PRECIPITATION

DAILY RAINFALL SUMMARY

169 Sierra Madre Pumping Plant

Gage Type: Standard 8 inch diameter

Observation Time: 800

Latitude 34-09-47

Longitude: 118-02-21

Elevation: 700 Feet

Water Year from 10/01/2001 to 09/30/2002

Day	Oct	Nov	Dec	Jan	Feb	Mar	Apr	May	Jun	Jul	Aug	Sep
1												
2												
3			0.30	0.04								
4												
5												
6												
7						0.22						
8												
9												
10												
11												
12		0.11										
13		0.60										
14												
15			0.28				0.06					
16				0.57			0.03					
17					0.21							
18					0.26	0.40						
19								0.03E				
20								0.27E			0.02	
21			0.80						0.10			
22			0.05						0.12			
23												
24												
25		1.78					0.11					
26												
27												
28				2.04								
29			0.02	T								0.05
30		0.05	0.09									
31	0.05		0.03									
Totals	0.05	2.54	1.57	2.65	0.47	0.62	0.20	0.30	0.22	0.00	0.02	0.05
										Water Year Total:		8.69

NOTE: All Values are in units of inches, unless otherwise specified.

LEGEND: A - Acculated Total
 E - Estimated
 T - Trace, unmeasurable amount of rain

Data Revised: March 2011

PRECIPITATION

DAILY RAINFALL SUMMARY**170F Potrero Heights**

Gage Type: Standard 8 inch diameter (DPW)

Observation Time: 800

Latitude 34-02-32

Longitude: 118-04-44

Elevation: 285 Feet

Water Year from 10/01/2001 to 09/30/2002

Day	Oct	Nov	Dec	Jan	Feb	Mar	Apr	May	Jun	Jul	Aug	Sep
1												
2												
3				0.04								
4												
5												
6												
7						0.12						
8												
9												
10			0.15									
11												
12												
13		0.36										
14			0.44									
15							0.09					
16												
17					0.38							
18						0.20						
19												
20								0.25				
21			0.58									
22												
23						0.02						
24		1.20										
25		0.05										
26												
27				0.30								
28				0.46								
29		0.14	0.26									0.01
30			0.06									
31	0.02		0.02									
Totals	0.02	1.75	1.51	0.80	0.38	0.34	0.09	0.25	0.00	0.00	0.00	0.01
												Water Year Total: 5.15

NOTE: All Values are in units of inches, unless otherwise specified.

LEGEND: A - Acculated Total

E - Estimated

T - Trace, unmeasurable amount of rain

Data Revised: March 2011

PRECIPITATION

DAILY RAINFALL SUMMARY**172B Duarte**

Gage Type: Standard 8 inch diameter (DPW)

Observation Time: 800

Latitude 34-08-26

Longitude: 117-58-02

Elevation: 548 Feet

Water Year from 10/01/2001 to 09/30/2002

Day	Oct	Nov	Dec	Jan	Feb	Mar	Apr	May	Jun	Jul	Aug	Sep
1												
2												
3			0.15									
4												
5		0.05										
6												
7												
8						0.30						
9												
10												
11												
12		0.53										
13												
14			0.28									
15												
16												
17												
18					0.40	0.50						
19												
20								0.45				
21			0.91									
22							0.14					
23												
24												
25		1.70				0.02						
26												
27												
28				1.40								
29		0.12		0.12								
30			0.13	0.10								
31												
Totals	0.00	2.40	1.47	1.62	0.40	0.82	0.14	0.45	0.00	0.00	0.00	0.00
												Water Year Total: 7.30

NOTE: All Values are in units of inches, unless otherwise specified.

LEGEND: A - Acculated Total

E - Estimated

T - Trace, unmeasurable amount of rain

Data Revised: March 2011

PRECIPITATION

DAILY RAINFALL SUMMARY

174B **Glendora**

Gage Type: Standard 8 inch diameter (DPW)

Observation Time: 800

Latitude 34-07-43

Longitude: 117-49-08

Elevation: 930 Feet

Water Year from 10/01/2001 to 09/30/2002

Day	Oct	Nov	Dec	Jan	Feb	Mar	Apr	May	Jun	Jul	Aug	Sep
1												
2												
3			0.20									
4												
5		0.02E										
6												
7						0.17						
8												
9									0.04			
10												
11		0.03E										
12		0.01E										
13		0.44E										
14												
15							0.05					
16												
17												
18												
19						0.84						
20								0.25				
21									0.05			
22												
23												
24		2.10E				0.10	0.10					
25												
26												
27				0.50			0.05					
28				0.97								
29		0.05	1.90									
30				0.10								
31						0.03						
Totals	0.00	2.65	2.10	1.57	0.00	1.14	0.20	0.25	0.09	0.00	0.00	0.00
												Water Year Total: 8.00

NOTE: All Values are in units of inches, unless otherwise specified.

LEGEND: A - Acculated Total
 E - Estimated
 T - Trace, unmeasurable amount of rain

Data Revised: March 2011

PRECIPITATION

DAILY RAINFALL SUMMARY

175B La Canada Irrigation District

Gage Type: Standard 8 inch diameter (DPW)

Observation Time: 800

Latitude 34-13-39

Longitude: 118-12-40

Elevation: 2020 Feet

Water Year from 10/01/2001 to 09/30/2002

Day	Oct	Nov	Dec	Jan	Feb	Mar	Apr	May	Jun	Jul	Aug	Sep
1												
2												
3			0.40	0.10								
4												
5												
6							0.01					0.01
7						0.42						
8						0.01						
9									0.02			
10			0.60									
11		0.14										
12		0.05										
13		0.63										
14												
15			0.20				0.19					
16				0.32			0.05					
17				0.01	0.48							
18					0.01	0.38						
19								0.04				
20								0.12				
21			0.71					0.35	0.01			
22			0.05						0.10			
23												
24												
25		1.44					0.05					
26												
27												
28				1.88								T
29			0.13			0.03						0.59
30		0.18	0.15									T
31	0.15		0.05									
Totals	0.15	2.44	2.29	2.31	0.49	0.84	0.30	0.51	0.13	0.00	0.00	0.60
Water Year Total:												10.06

NOTE: All Values are in units of inches, unless otherwise specified.

LEGEND: A - Acculated Total
 E - Estimated
 T - Trace, unmeasurable amount of rain

Data Revised: March 2011

PRECIPITATION

DAILY RAINFALL SUMMARY

176 Altadena-Rubio Canyon

Gage Type: Standard 8 inch diameter

Observation Time: 800

Latitude 34-10-55

Longitude: 118-08-15

Elevation: 1125 Feet

Water Year from 10/01/2001 to 09/30/2002

Day	Oct	Nov	Dec	Jan	Feb	Mar	Apr	May	Jun	Jul	Aug	Sep
1												
2												
3			0.28									
4												
5												
6												
7						0.28						
8												
9												
10												
11												
12		0.09										
13		0.54										
14												
15			0.20				0.12					
16												
17												
18					0.40	0.42						
19												
20								0.09				
21			0.76					0.28	0.13			
22												
23												
24							0.05					
25		1.68				0.01						
26												
27												
28				1.70								
29												0.50
30			0.27									
31	0.11											
Totals	0.11	2.31	1.51	1.70	0.40	0.71	0.17	0.37	0.13	0.00	0.00	0.50
												Water Year Total: 7.91

NOTE: All Values are in units of inches, unless otherwise specified.

LEGEND: A - Acculated Total
 E - Estimated
 T - Trace, unmeasurable amount of rain

Data Revised: March 2011

PRECIPITATION

DAILY RAINFALL SUMMARY

196C La Verne-Fire Station

Gage Type: Standard 8 inch diameter (DPW)

Observation Time: 800

Latitude 34-06-06

Longitude: 117-46-20

Elevation: 1050 Feet

Water Year from 10/01/2001 to 09/30/2002

Day	Oct	Nov	Dec	Jan	Feb	Mar	Apr	May	Jun	Jul	Aug	Sep
1												
2				0.02								
3			0.19									
4												
5							0.75					
6												
7												
8												
9												
10												
11												
12		0.35										
13		0.01										
14			0.42									
15												
16												
17					0.35	0.52						
18												
19												
20												
21												
22												
23												
24		1.10					0.01					
25		0.77										
26												
27												
28												
29												
30												
31			0.02									
Totals	0.00	2.23	0.63	0.02	0.35	0.52	0.76	0.00	0.00	0.00	0.00	0.00
												Water Year Total: 4.51

NOTE: All Values are in units of inches, unless otherwise specified.

LEGEND: A - Acculated Total
 E - Estimated
 T - Trace, unmeasurable amount of rain

Data Revised: March 2011

PRECIPITATION

DAILY RAINFALL SUMMARY

210C Brand Park

Gage Type: Daily Automatic (DPW)

Observation Time: 2400

Latitude 34-11-18

Longitude: 118-16-20

Elevation: 1250 Feet

Water Year from 10/01/2001 to 09/30/2002

Day	Oct	Nov	Dec	Jan	Feb	Mar	Apr	May	Jun	Jul	Aug	Sep
1												
2												
3			0.03									
4												
5												
6				0.08		0.08						
7						0.08						
8												
9			0.24									
10												
11		0.08										
12		0.72										
13												
14												
15							0.08					
16												
17					0.16							
18						0.07						
19								0.04			0.04	
20			0.59					0.20				
21			0.04						0.08			
22												
23												
24		1.12										
25												
26												
27				0.94								
28												0.43
29		0.12	0.20									0.04
30	0.08		0.04									
31												
Totals	0.08	2.04	1.14	1.02	0.16	0.23	0.08	0.24	0.08	0.00	0.04	0.47
										Water Year Total:		5.58

NOTE: All Values are in units of inches, unless otherwise specified.

LEGEND: A - Acculated Total
 E - Estimated
 T - Trace, unmeasurable amount of rain

Data Revised: March 2011

PRECIPITATION

DAILY RAINFALL SUMMARY

216D **Glendale - Jackson**

Gage Type: Standard 8 inch diameter (DPW)

Observation Time: 800

Latitude 34-09-54

Longitude: 118-15-01

Elevation: 615 Feet

Water Year from 10/01/2001 to 09/30/2002

Day	Oct	Nov	Dec	Jan	Feb	Mar	Apr	May	Jun	Jul	Aug	Sep
1												
2												
3			0.22	0.07								
4												
5												T
6							T					
7						0.12						
8												
9									T			
10			0.14									
11		0.07										
12		T										
13		0.63										
14			0.05									
15							0.06					
16				0.08								
17					0.31							
18						0.12						
19								0.01			0.02	
20			T					0.17			T	
21			0.71						0.07			
22												
23						T						
24		1.48						0.03				
25		0.26										
26							T					
27				0.74								
28				0.47								
29		0.15	0.30									0.35
30	0.08		0.02									
31	0.01											
Totals	0.09	2.59	1.44	1.36	0.31	0.24	0.09	0.18	0.07	0.00	0.02	0.35
										Water Year Total:		6.74

NOTE: All Values are in units of inches, unless otherwise specified.

LEGEND: A - Acculated Total
 E - Estimated
 T - Trace, unmeasurable amount of rain

Data Revised: March 2011

PRECIPITATION

DAILY RAINFALL SUMMARY

223C Big Dalton Dam

Gage Type: Standard 8 inch diameter (DPW)

Observation Time: 800

Latitude 34-10-06

Longitude: 117-48-36

Elevation: 1587 Feet

Water Year from 10/01/2001 to 09/30/2002

Day	Oct	Nov	Dec	Jan	Feb	Mar	Apr	May	Jun	Jul	Aug	Sep
1				0.01								
2		T										
3			0.31	0.02								
4		T										
5		0.04										
6							T					
7						0.46	T					
8						0.09	0.02	0.01				
9									0.04			
10			0.01						0.01			
11		T	T									
12		0.02										
13		0.48				0.01						
14		0.01				0.01						
15			0.59				0.09					
16			T	T			0.04					
17					0.25		0.01					
18					0.33	0.90						
19								0.03				
20								T				
21			0.93					0.42	0.02			
22			0.03					T	0.05			
23			0.01			0.08						
24						0.04						
25		1.97				0.10	0.12					
26						0.03						
27							0.14					
28				2.28								
29			0.02	0.09		0.02						0.14
30	T	0.08	0.12	0.02		T						
31	0.05		0.05			T						
Totals	0.05	2.60	2.07	2.42	0.58	1.74	0.42	0.46	0.12	0.00	0.00	0.14
	Water Year Total:											10.60

NOTE: All Values are in units of inches, unless otherwise specified.

LEGEND: A - Acculated Total

E - Estimated

T - Trace, unmeasurable amount of rain

Data Revised: March 2011

PRECIPITATION

DAILY RAINFALL SUMMARY

225 **Montana Ranch-Lakewood**

Gage Type: Standard 8 inch diameter (DPW)

Observation Time: 800

Latitude 33-50-35

Longitude: 118-07-09

Elevation: 47 Feet

Water Year from 10/01/2001 to 09/30/2002

Day	Oct	Nov	Dec	Jan	Feb	Mar	Apr	May	Jun	Jul	Aug	Sep
1												
2				0.10								
3												
4												
5												
6						0.10						
7												
8												
9												
10												
11												
12		0.50										
13												
14			0.20									
15												
16												
17												
18												
19												
20								0.21				
21												
22						0.15						
23												
24							0.05					
25												
26												
27												
28			0.09	0.10								
29		0.27	0.50									
30												
31												
Totals	0.00	0.77	0.79	0.20	0.00	0.25	0.05	0.21	0.00	0.00	0.00	0.00
	Water Year Total:											2.27

NOTE: All Values are in units of inches, unless otherwise specified.

LEGEND: A - Acculated Total
 E - Estimated
 T - Trace, unmeasurable amount of rain

Data Revised: March 2011

PRECIPITATION

DAILY RAINFALL SUMMARY

227D San Gabriel-Bruington-Orton

Gage Type: Standard 8 inch diameter (DPW)

Observation Time: 800

Latitude 34-06-18

Longitude: 118-06-32

Elevation: 472 Feet

Water Year from 10/01/2001 to 09/30/2002

Day	Oct	Nov	Dec	Jan	Feb	Mar	Apr	May	Jun	Jul	Aug	Sep
1												
2												
3				0.06								
4												
5												
6												
7						0.22						
8												
9												
10												
11		T										
12												
13		0.33										
14			0.22									
15							0.06					
16				0.04								
17					0.41	0.24						
18												
19												
20			0.88				0.09	0.02				
21												
22												
23												
24		2.04					0.07					
25												
26												
27				0.49								
28				0.81								0.04
29		0.11	0.19									0.24
30	0.03											
31												
Totals	0.03	2.48	1.29	1.40	0.41	0.46	0.13	0.09	0.02	0.00	0.00	0.28
										Water Year Total:		6.59

NOTE: All Values are in units of inches, unless otherwise specified.

LEGEND: A - Acculated Total

E - Estimated

T - Trace, unmeasurable amount of rain

Data Revised: March 2011

PRECIPITATION

DAILY RAINFALL SUMMARY

228C Beverly Hills City Hall

Gage Type: Standard 8 inch diameter (DPW)

Observation Time: 800

Latitude 34-06-00

Longitude: 118-23-40

Elevation: 245 Feet

Water Year from 10/01/2001 to 09/30/2002

Day	Oct	Nov	Dec	Jan	Feb	Mar	Apr	May	Jun	Jul	Aug	Sep
1												
2			0.45	0.10								
3												
4		0.01										
5												
6						1.10						
7												
8												
9			0.05									
10												
11		0.13										
12		0.30										
13												
14			0.10									
15							0.03					
16												
17					0.35	0.19						
18												
19												
20			0.55					0.07				
21												
22												
23												
24		1.47										
25												
26												
27				1.55								
28												
29		0.31										
30	0.08		0.29									
31												
Totals	0.08	2.22	1.44	1.65	0.35	1.29	0.03	0.07	0.00	0.00	0.00	0.00
											Water Year Total:	7.13

NOTE: All Values are in units of inches, unless otherwise specified.

LEGEND: A - Acculated Total
 E - Estimated
 T - Trace, unmeasurable amount of rain

Data Revised: March 2011

PRECIPITATION

DAILY RAINFALL SUMMARY

235C Henniger Flats

Gage Type: 8.81 inch diameter (DPW)

Observation Time: 800

Latitude 34-11-38

Longitude: 118-05-17

Elevation: 2550 Feet

Water Year from 10/01/2001 to 09/30/2002

Day	Oct	Nov	Dec	Jan	Feb	Mar	Apr	May	Jun	Jul	Aug	Sep
1						0.01						
2				0.01								
3			0.19	0.06								
4		0.02										
5			0.01									
6							0.02					
7						0.38		0.02				
8						0.09						
9									0.01			
10			0.04									
11		0.07										
12		0.05										
13		0.56										
14		0.01	0.30									
15						0.01	0.04					
16				0.13								
17				0.01	0.36	0.13						
18						0.34						
19								0.03			0.02	
20								0.09				
21			0.85						0.01			
22			0.01									
23						0.02						
24		1.45				0.04	0.02					
25		0.01	0.01									
26												
27				0.46			0.01					
28				1.49								0.01
29		0.11	0.21			0.01						
30	0.08		0.07									
31												
Totals	0.08	2.28	1.69	2.16	0.36	1.03	0.09	0.14	0.02	0.00	0.02	0.01
												Water Year Total: 7.88

NOTE: All Values are in units of inches, unless otherwise specified.

LEGEND: A - Acculated Total
 E - Estimated
 T - Trace, unmeasurable amount of rain

Data Revised: March 2011

PRECIPITATION

DAILY RAINFALL SUMMARY

237C Stone Canyon Reservoir

Gage Type: Standard 8 inch diameter

Observation Time: 800

Latitude 34-06-21

Longitude: 118-27-13

Elevation: 865 Feet

Water Year from 10/01/2001 to 09/30/2002

Day	Oct	Nov	Dec	Jan	Feb	Mar	Apr	May	Jun	Jul	Aug	Sep
1		0.02										
2		0.01										
3			0.38	0.19								
4		0.02										
5												
6												0.03
7						0.09						
8												
9												
10			0.41									
11		0.05										
12		0.15										
13		0.57										
14												
15			0.13				0.13					
16												
17					0.32						0.02	
18						0.11						
19												
20								0.08				
21			0.31						0.03			
22			0.02									
23												
24												
25		2.21										
26												
27												
28				1.38								
29		0.79	0.10									0.02
30		0.02	0.21									
31			0.07									
Totals	0.00	3.84	1.63	1.57	0.32	0.20	0.13	0.08	0.03	0.00	0.02	0.05
												Water Year Total: 7.87

NOTE: All Values are in units of inches, unless otherwise specified.

LEGEND: A - Acculated Total
 E - Estimated
 T - Trace, unmeasurable amount of rain

Data Revised: March 2011

PRECIPITATION

DAILY RAINFALL SUMMARY

238 Hollywood Dam

Gage Type: Standard 8 inch diameter

Observation Time: 800

Latitude 34-07-04

Longitude: 118-19-55

Elevation: 750 Feet

Water Year from 10/01/2001 to 09/30/2002

Day	Oct	Nov	Dec	Jan	Feb	Mar	Apr	May	Jun	Jul	Aug	Sep
1												
2												
3			0.25	0.10								
4		0.01										
5												
6												
7						0.13						
8												
9												
10			0.08									
11		0.08										
12		0.02										
13		0.43										
14												
15			0.07				0.06					
16												
17					0.15							
18						0.12						
19								0.01			0.02	
20								0.04				
21			0.53						0.02			
22			0.01									
23												
24												
25		2.19										
26												
27												
28				1.41								
29		0.08	0.05									0.10
30	0.11	0.17	0.25									
31			0.28									
Totals	0.11	2.98	1.52	1.51	0.15	0.25	0.06	0.05	0.02	0.00	0.02	0.10
												Water Year Total: 6.77

NOTE: All Values are in units of inches, unless otherwise specified.

LEGEND: A - Acculated Total
 E - Estimated
 T - Trace, unmeasurable amount of rain

Data Revised: March 2011

PRECIPITATION

DAILY RAINFALL SUMMARY

251C La Crescenta

Gage Type: Standard 8 inch diameter (DPW)

Observation Time: 800

Latitude 34-13-20

Longitude: 118-14-40

Elevation: 1440 Feet

Water Year from 10/01/2001 to 09/30/2002

Day	Oct	Nov	Dec	Jan	Feb	Mar	Apr	May	Jun	Jul	Aug	Sep
1												
2			0.40									
3				0.09								
4		T										
5												
6						T						T
7						0.30	0.02					
8						T						
9			0.42						0.10			
10			T									
11		A										
12		0.83A										
13												
14			0.16				0.09					
15							0.03					
16				0.18								
17					0.40	0.32						
18												
19												
20			0.02					0.41				
21			0.85					0.05	0.08			
22												
23						0.01						
24							0.02					
25		1.41					T					
26												
27				1.89								
28			T	T		T						0.38
29		0.14		T		T						
30	0.09											
31			0.26									
Totals	0.09	2.38	2.11	2.16	0.40	0.63	0.16	0.46	0.18	0.00	0.00	0.38
												Water Year Total: 8.95

NOTE: All Values are in units of inches, unless otherwise specified.

LEGEND: A - Acculated Total
 E - Estimated
 T - Trace, unmeasurable amount of rain

Data Revised: March 2011

PRECIPITATION

DAILY RAINFALL SUMMARY

252C Castaic Lake

Gage Type: Standard 8 inch diameter

Observation Time: 800

Latitude 34-29-53

Longitude: 118-36-53

Elevation: 1150 Feet

Water Year from 10/01/2001 to 09/30/2002

Day	Oct	Nov	Dec	Jan	Feb	Mar	Apr	May	Jun	Jul	Aug	Sep
1				T								
2			0.03				T					
3			0.31	0.08								
4		0.02	0.27									
5												
6						0.01E						
7		T				0.14E						
8												
9												
10												
11		0.25										
12		0.11										
13		0.58										
14												
15			0.03				0.03					
16												
17					0.51	0.10E						
18												
19												
20			0.01					0.02				
21			0.40					0.03				
22												
23												
24												
25		1.17										
26												
27				0.18								
28				0.77								
29		0.17	0.21	T								
30	0.04	0.45	0.05									E
31	0.38		0.05								E	
Totals	0.42	2.75	1.36	1.03	0.51	0.25	0.03	0.05	0.00	0.00	0.00	0.00
												Water Year Total: 6.40

NOTE: All Values are in units of inches, unless otherwise specified.

LEGEND: A - Acculated Total

E - Estimated

T - Trace, unmeasurable amount of rain

Data Revised: March 2011

PRECIPITATION

DAILY RAINFALL SUMMARY

255F Mount San Antonio College-Spadra

Gage Type: Standard 8 inch diameter (DPW)

Observation Time: 800

Latitude 34-02-41

Longitude: 117-50-19

Elevation: 720 Feet

Water Year from 10/01/2001 to 09/30/2002

Day	Oct	Nov	Dec	Jan	Feb	Mar	Apr	May	Jun	Jul	Aug	Sep
1												
2												
3			0.20	0.33								
4												
5		0.06										
6												
7												
8												
9												
10												
11						0.11						
12												
13												
14			0.35									
15												
16						A						
17						A						
18						A	0.33					
19					0.43A							
20								0.23				
21			0.52									
22												
23												
24												
25						0.25						
26		1.32					0.09					
27												
28				0.73								
29		0.10		0.02								
30				0.04								
31												
Totals	0.00	1.48	1.07	1.12	0.43	0.69	0.09	0.23	0.00	0.00	0.00	0.00
												Water Year Total: 5.11

NOTE: All Values are in units of inches, unless otherwise specified.

LEGEND: A - Acculated Total
 E - Estimated
 T - Trace, unmeasurable amount of rain

Data Revised: March 2011

PRECIPITATION

DAILY RAINFALL SUMMARY

261F Acton-Escondido Canyon

Gage Type: Daily Automatic (DPW)

Observation Time: 2400

Latitude 34-29-42

Longitude: 118-16-22

Elevation: 2960 Feet

Water Year from 10/01/2001 to 09/30/2002

Day	Oct	Nov	Dec	Jan	Feb	Mar	Apr	May	Jun	Jul	Aug	Sep
1												
2												
3			0.07									
4												
5												0.04
6				0.12		0.07						
7						0.04						
8												
9			0.04									
10												
11		0.04										
12		0.44	0.16									
13												
14			0.04									
15												
16												
17						0.16						
18					0.12							
19												
20			0.35					0.24				
21			0.04									
22												
23												
24		0.59										
25												
26												
27				0.67								
28												0.12
29		0.12	0.24									0.04
30	0.36		0.04									
31												
Totals	0.36	1.19	0.98	0.79	0.12	0.27	0.00	0.24	0.00	0.00	0.00	0.20
												Water Year Total: 4.15

NOTE: All Values are in units of inches, unless otherwise specified.

LEGEND: A - Acculated Total
 E - Estimated
 T - Trace, unmeasurable amount of rain

Data Revised: March 2011

PRECIPITATION

DAILY RAINFALL SUMMARY

269D Diamond Bar Fire Station

Gage Type: Standard 8 inch diameter

Observation Time: 800

Latitude 33-59-50

Longitude: 117-48-55

Elevation: 870 Feet

Water Year from 10/01/2001 to 09/30/2002

Day	Oct	Nov	Dec	Jan	Feb	Mar	Apr	May	Jun	Jul	Aug	Sep
1												
2												
3		0.01	0.19	0.02								
4		0.01		0.01								
5												
6												
7						0.07						
8												
9												
10										0.01		
11		0.05								0.01		
12		0.34										
13		0.01										
14			0.50									
15			0.01				0.02					
16												
17					0.34	0.47						
18												
19								0.01				
20			0.10					0.11				
21			0.45									
22												
23						0.19						
24		0.94					0.08					
25												
26							0.31					
27				0.79								
28				0.06		0.01						
29		0.11	0.21	0.01								
30	0.03		0.07									
31												
Totals	0.03	1.47	1.53	0.89	0.34	0.74	0.41	0.12	0.00	0.02	0.00	0.00
										Water Year Total:		5.55

NOTE: All Values are in units of inches, unless otherwise specified.

LEGEND: A - Acculated Total
 E - Estimated
 T - Trace, unmeasurable amount of rain

Data Revised: March 2011

PRECIPITATION

DAILY RAINFALL SUMMARY

277 Sawmill Mountain

Gage Type: Standard 8 inch diameter (DPW)

Observation Time: 800

Latitude 34-43-15

Longitude: 118-35-00

Elevation: 3700 Feet

Water Year from 10/01/2001 to 09/30/2002

Day	Oct	Nov	Dec	Jan	Feb	Mar	Apr	May	Jun	Jul	Aug	Sep
1												
2												
3			0.32	0.02								
4			0.11									
5			0.02									
6												
7							0.02					
8						0.11						
9						0.22						
10												
11												
12		0.21										
13		0.85										
14						0.03						
15												
16												
17					0.44							
18						0.02						
19												
20								0.10				
21			1.08					0.08				
22												
23												
24						0.43						
25		0.87	0.05									
26												
27												
28				1.24								
29				0.11								
30		0.42	0.17									
31	0.35		0.04									
Totals	0.35	2.35	1.79	1.37	0.44	0.81	0.02	0.18	0.00	0.00	0.00	0.00
												Water Year Total: 7.31

NOTE: All Values are in units of inches, unless otherwise specified.

LEGEND: A - Acculated Total
 E - Estimated
 T - Trace, unmeasurable amount of rain

Data Revised: March 2011

PRECIPITATION

DAILY RAINFALL SUMMARY

280C Flintridge-Sacred Heart

Gage Type: Daily Automatic (DPW)

Observation Time: 2400

Latitude 34-10-54

Longitude: 118-11-08

Elevation: 1600 Feet

Water Year from 10/01/2001 to 09/30/2002

Day	Oct	Nov	Dec	Jan	Feb	Mar	Apr	May	Jun	Jul	Aug	Sep
1												
2			0.04									
3			0.24									
4												
5												
6				0.08		0.16						
7						0.08						
8												
9			0.12						0.04			
10												
11		0.08										
12		0.60										
13												
14			0.12									
15							0.08					
16				0.12								
17					0.40	0.40						
18												
19			0.20					0.04			0.04	
20			0.68					0.20				
21			0.16						0.12			
22												
23												
24		1.60					0.04					
25												
26												
27				1.72								
28												0.08
29		0.08	0.16									0.08
30	0.08											
31												
Totals	0.08	2.36	1.72	1.92	0.40	0.64	0.12	0.24	0.16	0.00	0.04	0.16
										Water Year Total:		7.84

NOTE: All Values are in units of inches, unless otherwise specified.

LEGEND: A - Acculated Total
 E - Estimated
 T - Trace, unmeasurable amount of rain

Data Revised: March 2011

PRECIPITATION

DAILY RAINFALL SUMMARY

283C Crystal Lake-East Pine Flat

Gage Type: Daily Automatic (DPW)

Observation Time: 2400

Latitude 34-19-02

Longitude: 117-50-28

Elevation: 5370 Feet

Water Year from 10/01/2001 to 09/30/2002

Day	Oct	Nov	Dec	Jan	Feb	Mar	Apr	May	Jun	Jul	Aug	Sep
1												
2			0.16	0.04	0.12	0.12						
3			0.52	0.04		0.04						
4												
5												
6						0.28						
7						0.20						
8												
9												
10			0.16									
11												
12		0.69										
13		0.03										
14												
15			0.08									
16			0.12									
17					0.40E		0.04					
18						0.44						
19												
20								0.40E				
21			0.08									
22			0.28									
23			0.32			0.12						
24		1.24					0.16					
25												
26							0.24					
27				1.32								
28				0.16		0.36						0.08E
29		0.02	0.36									
30		0.10										
31				0.20								
Totals	0.00	2.08	2.08	1.76	0.52	1.56	0.44	0.40	0.00	0.00	0.00	0.08
												Water Year Total:
												8.92

NOTE: All Values are in units of inches, unless otherwise specified.

LEGEND: A - Acculated Total

E - Estimated

T - Trace, unmeasurable amount of rain

Data Revised: March 2011

PRECIPITATION

DAILY RAINFALL SUMMARY

287B **Glendora-City Hall**

Gage Type: 8.81 inch diameter (DPW)

Observation Time: 800

Latitude 34-08-09

Longitude: 117-51-52

Elevation: 785 Feet

Water Year from 10/01/2001 to 09/30/2002

Day	Oct	Nov	Dec	Jan	Feb	Mar	Apr	May	Jun	Jul	Aug	Sep
1												
2												
3			0.26	0.02								
4									T			
5		0.03										
6							0.01					T
7						0.53		T				
8						0.01	0.01					
9									0.05			
10			T									
11		0.04										
12												
13		0.49				0.01						
14												
15			0.59				0.07					
16				T			0.05	T				
17				T	0.46							
18						0.93						
19								0.03			T	
20								0.01			0.02	
21			1.03					0.25	0.03			
22									0.04			
23						0.10						
24												
25		2.15					0.13					
26												
27							0.03					
28				1.87								
29			0.05	T		0.02						
30	T	0.09		0.02								
31	0.05		0.09									
Totals	0.05	2.80	2.02	1.91	0.46	1.60	0.30	0.29	0.12	0.00	0.02	0.00
												Water Year Total: 9.57

NOTE: All Values are in units of inches, unless otherwise specified.

LEGEND: A - Acculated Total
 E - Estimated
 T - Trace, unmeasurable amount of rain

Data Revised: March 2011

PRECIPITATION

DAILY RAINFALL SUMMARY

291 Los Angeles-96th and Central

Gage Type: Daily Automatic (DPW)

Observation Time: 2400

Latitude 33-56-56

Longitude: 118-15-17

Elevation: 121 Feet

Water Year from 10/01/2001 to 09/30/2002

Day	Oct	Nov	Dec	Jan	Feb	Mar	Apr	May	Jun	Jul	Aug	Sep
1												
2			0.08									
3			0.08									
4		0.04										
5												
6				0.04		0.04						
7						0.12						
8												
9												
10												
11												
12		0.28										
13												
14			0.20									
15							0.08					
16												
17					0.20	0.28						
18												
19												
20			0.08					0.16				
21			0.28									
22												
23						0.04						
24		0.48					0.04					
25												
26												
27				0.64								
28												
29		0.20	0.20	0.04								
30			0.08									
31			0.04									
Totals	0.00	1.00	1.04	0.72	0.20	0.48	0.12	0.16	0.00	0.00	0.00	0.00
	Water Year Total:											3.72

NOTE: All Values are in units of inches, unless otherwise specified.

LEGEND: A - Acculated Total
 E - Estimated
 T - Trace, unmeasurable amount of rain

Data Revised: March 2011

PRECIPITATION

DAILY RAINFALL SUMMARY

292D Encino Reservoir

Gage Type: Standard 8 inch diameter (DPW)

Observation Time: 800

Latitude 34-08-56

Longitude: 118-30-57

Elevation: 1075 Feet

Water Year from 10/01/2001 to 09/30/2002

Day	Oct	Nov	Dec	Jan	Feb	Mar	Apr	May	Jun	Jul	Aug	Sep
1												
2												
3			0.18	0.21								
4												
5												
6												
7												
8												
9												
10												
11		0.01										
12		0.03										
13		0.50										
14			0.03									
15			0.06				0.07					
16												
17					0.12							
18						0.09						
19												
20								0.13				
21			0.44					0.04				
22												
23						0.05						
24												
25		1.31				0.01						
26												
27												
28				0.74								
29		0.33	0.20									0.02
30	A	0.06	0.36									
31	0.17A		0.10									
Totals	0.17	2.24	1.37	0.95	0.12	0.15	0.07	0.17	0.00	0.00	0.00	0.02
												Water Year Total: 5.26

NOTE: All Values are in units of inches, unless otherwise specified.

LEGEND: A - Acculated Total

E - Estimated

T - Trace, unmeasurable amount of rain

Data Revised: March 2011

PRECIPITATION

DAILY RAINFALL SUMMARY

293B Los Angeles Reservoir

Gage Type: Standard 8 inch diameter

Observation Time: 800

Latitude 34-17-18

Longitude: 118-28-54

Elevation: 1150 Feet

Water Year from 10/01/2001 to 09/30/2002

Day	Oct	Nov	Dec	Jan	Feb	Mar	Apr	May	Jun	Jul	Aug	Sep
1												
2												
3			0.25	0.17								
4		0.02										
5												
6												
7						0.47	0.07					
8							0.02					
9									0.02			
10			0.03									
11		0.13										
12		0.12										
13		0.55										
14												
15			0.17				0.09					
16				0.47								
17					0.51							
18					0.05	0.34						
19								0.01			0.03	
20								T				
21			0.52					0.26	0.02			
22			0.02									
23						0.09						
24												
25		1.07										
26												
27												
28				1.38								
29		0.30	0.17									0.10
30	0.11	0.15	0.12									
31			0.05									
Totals	0.11	2.34	1.33	2.02	0.56	0.90	0.18	0.27	0.04	0.00	0.03	0.10
										Water Year Total:		7.88

NOTE: All Values are in units of inches, unless otherwise specified.

LEGEND: A - Acculated Total
 E - Estimated
 T - Trace, unmeasurable amount of rain

Data Revised: March 2011

PRECIPITATION

DAILY RAINFALL SUMMARY

294B Sierra Madre-Mira Monte Pumping Plant

Gage Type: Standard 8 inch diameter

Observation Time: 800

Latitude 34-10-11

Longitude: 118-02-51

Elevation: 985 Feet

Water Year from 10/01/2001 to 09/30/2002

Day	Oct	Nov	Dec	Jan	Feb	Mar	Apr	May	Jun	Jul	Aug	Sep
1												
2												
3			0.22	0.05								
4												
5												
6												
7						0.23						
8												
9												
10												
11												
12		0.11										
13		0.63										
14												
15			0.29				0.17					
16				0.31			0.03					
17					0.24							
18					0.26	0.50						
19								0.05E				
20								0.39E			0.05	
21			0.82						0.10			
22			0.05						0.12			
23												
24												
25		1.82					0.12					
26												
27												
28				1.80								
29			0.05	T								0.11
30		0.13	0.11									
31	0.04		0.04									
Totals	0.04	2.69	1.58	2.16	0.50	0.73	0.32	0.44	0.22	0.00	0.05	0.11
										Water Year Total:		8.84

NOTE: All Values are in units of inches, unless otherwise specified.

LEGEND: A - Acculated Total
 E - Estimated
 T - Trace, unmeasurable amount of rain

Data Revised: March 2011

PRECIPITATION

DAILY RAINFALL SUMMARY

298C Gorman - Sheriff

Gage Type: Daily Automatic (DPW)

Observation Time: 2400

Latitude 34-47-47

Longitude: 118-51-27

Elevation: 3835 Feet

Water Year from 10/01/2001 to 09/30/2002

Day	Oct	Nov	Dec	Jan	Feb	Mar	Apr	May	Jun	Jul	Aug	Sep
1												0.16
2												
3			0.32									
4			0.08									
5												
6						0.12	0.08					
7												
8						0.04						
9			0.04									
10												
11												
12		1.08										
13		0.04										
14			0.04			0.12						
15												
16						0.04						
17					0.12	0.08						
18						0.08						
19												
20			0.28									
21												
22												
23						0.04						
24		0.36				0.03						
25												
26							0.04					
27				0.16								
28												
29		0.04	0.08									
30	0.20	0.04	0.04									
31			0.04									
Totals	0.20	1.56	0.92	0.16	0.12	0.55	0.12	0.00	0.00	0.00	0.00	0.16
											Water Year Total:	3.79

NOTE: All Values are in units of inches, unless otherwise specified.

LEGEND: A - Acculated Total
 E - Estimated
 T - Trace, unmeasurable amount of rain

Data Revised: March 2011

PRECIPITATION

DAILY RAINFALL SUMMARY

299F Little Rock - Schwab

Gage Type: Standard 8 inch diameter (DPW)

Observation Time: 800

Latitude 34-32-12

Longitude: 117-58-43

Elevation: 2800 Feet

Water Year from 10/01/2001 to 09/30/2002

Day	Oct	Nov	Dec	Jan	Feb	Mar	Apr	May	Jun	Jul	Aug	Sep
1												
2												
3												
4		T	0.25	0.07								
5												
6												
7						0.06						
8												
9			T									
10		0.04	T									
11												
12												
13		0.28										
14			0.02									
15												
16												
17					T							
18						0.07						
19												
20												
21			0.18									
22												
23												
24		0.34					0.04					
25												
26												
27												
28				0.33								
29		0.01	0.34			0.04						
30	0.14		0.04									
31	T											
Totals	0.14	0.67	0.83	0.40	0.00	0.17	0.04	0.00	0.00	0.00	0.00	0.00
												Water Year Total: 2.25

NOTE: All Values are in units of inches, unless otherwise specified.

LEGEND: A - Acculated Total
 E - Estimated
 T - Trace, unmeasurable amount of rain

Data Revised: March 2011

PRECIPITATION

DAILY RAINFALL SUMMARY

306H Zuma Beach

Gage Type: Standard 8 inch diameter (DPW)

Observation Time: 800

Latitude 34-01-15

Longitude: 118-49-42

Elevation: 15 Feet

Water Year from 10/01/2001 to 09/30/2002

Day	Oct	Nov	Dec	Jan	Feb	Mar	Apr	May	Jun	Jul	Aug	Sep
1												
2												
3				0.25								
4		0.20										
5												
6												
7						0.22						
8						0.08						
9												
10												
11		0.45										
12												
13		0.43										
14			0.27									
15												
16				0.02								
17					0.69							
18						0.48						
19											0.03	
20								0.31				
21												
22												
23												
24		0.65										
25												
26												
27				0.59								
28												
29		0.90	0.40	0.60								
30	0.14		0.60									
31												
Totals	0.14	2.63	1.27	1.46	0.69	0.78	0.00	0.31	0.00	0.00	0.03	0.00
												Water Year Total: 7.31

NOTE: All Values are in units of inches, unless otherwise specified.

LEGEND: A - Acculated Total
 E - Estimated
 T - Trace, unmeasurable amount of rain

Data Revised: March 2011

PRECIPITATION

DAILY RAINFALL SUMMARY

321 Pine Canyon Patrol Station

Gage Type: Daily Automatic (DPW)

Observation Time: 2400

Latitude 34-40-24

Longitude: 118-25-45

Elevation: 3286 Feet

Water Year from 10/01/2001 to 09/30/2002

Day	Oct	Nov	Dec	Jan	Feb	Mar	Apr	May	Jun	Jul	Aug	Sep
1												
2												
3			0.16									
4			0.08									
5												
6						0.04						
7						0.12						
8												
9												
10												
11												
12		0.38E										
13												
14			0.04									
15							T					
16												
17						0.08						
18												
19					0.40							
20			0.31					0.08				
21			0.08									
22			0.08									
23						0.19						
24		0.45E										
25												
26							T					
27				0.90			0.01E					
28												
29		0.12E	0.12	0.12								
30	0.05E											
31	0.17E		0.04									
Totals	0.22	0.95	0.91	1.02	0.40	0.43	0.01	0.08	0.00	0.00	0.00	0.00
												Water Year Total: 4.02

NOTE: All Values are in units of inches, unless otherwise specified.

LEGEND: A - Acculated Total
 E - Estimated
 T - Trace, unmeasurable amount of rain

Data Revised: March 2011

PRECIPITATION

DAILY RAINFALL SUMMARY

322 Munz Valley Ranch

Gage Type: Standard 8 inch diameter (DPW)

Observation Time: 800

Latitude 34-42-50

Longitude: 118-21-15

Elevation: 2600 Feet

Water Year from 10/01/2001 to 09/30/2002

Day	Oct	Nov	Dec	Jan	Feb	Mar	Apr	May	Jun	Jul	Aug	Sep
1												
2												
3			0.12									
4			0.04									
5												
6												
7												
8												
9												
10												
11		0.38										
12												
13												
14												
15							T					
16												
17					0.27	0.04						
18												
19												
20								0.04E				
21			0.27									
22												
23						0.31						
24		0.45										
25												
26							T					
27				0.15								
28				0.44								
29		0.12	0.46	0.08								
30	0.21		0.06									E
31												
Totals	0.21	0.95	0.95	0.67	0.27	0.35	0.00	0.04	0.00	0.00	0.00	0.00
												Water Year Total: 3.44

NOTE: All Values are in units of inches, unless otherwise specified.

LEGEND: A - Acculated Total
 E - Estimated
 T - Trace, unmeasurable amount of rain

Data Revised: March 2011

PRECIPITATION

DAILY RAINFALL SUMMARY

334B Cogswell Dam

Gage Type: Standard 8 inch diameter (DPW)

Observation Time: 800

Latitude 34-14-37

Longitude: 117-57-35

Elevation: 2300 Feet

Water Year from 10/01/2001 to 09/30/2002

Day	Oct	Nov	Dec	Jan	Feb	Mar	Apr	May	Jun	Jul	Aug	Sep
1				T								
2												
3			0.44	0.07								
4		0.02	0.03									
5		0.03										
6												
7						0.30						
8						0.03						
9												
10			0.35									
11		0.02										
12		0.03										
13		0.80										
14												
15			0.49									
16				0.02			0.01					
17					0.17							
18					0.22	0.43						
19												
20												
21			0.74					0.26				
22			0.02									
23												
24						0.08						
25		1.81				T	0.16					
26												
27												
28				2.61								
29			0.13			0.03						
30		0.19	0.17									
31	0.10		0.04									
Totals	0.10	2.90	2.41	2.70	0.39	0.87	0.17	0.26	0.00	0.00	0.00	0.00
												Water Year Total: 9.80

NOTE: All Values are in units of inches, unless otherwise specified.

LEGEND: A - Acculated Total

E - Estimated

T - Trace, unmeasurable amount of rain

Data Revised: March 2011

PRECIPITATION

DAILY RAINFALL SUMMARY

336 Silver Lake Reservoir

Gage Type: Standard 8 inch diameter

Observation Time: 800

Latitude 34-06-08

Longitude: 118-15-54

Elevation: 445 Feet

Water Year from 10/01/2001 to 09/30/2002

Day	Oct	Nov	Dec	Jan	Feb	Mar	Apr	May	Jun	Jul	Aug	Sep
1												
2												
3			0.21	0.07								
4				0.04								
5												
6												0.01
7						0.24						
8												
9												
10			0.20									
11		0.07										
12												
13		0.42										
14												
15			0.07				0.03					
16												
17					0.22							
18						0.18						
19												
20								0.08				
21			0.62					0.01	0.03			
22									0.01			
23												
24		0.09										
25		1.96					0.02					
26												
27												
28				1.07								
29		0.18	0.10			0.01						0.07
30			0.17									
31			0.05									
Totals	0.00	2.72	1.42	1.18	0.22	0.43	0.05	0.09	0.04	0.00	0.00	0.08
										Water Year Total:		6.23

NOTE: All Values are in units of inches, unless otherwise specified.

LEGEND: A - Acculated Total
 E - Estimated
 T - Trace, unmeasurable amount of rain

Data Revised: March 2011

PRECIPITATION

DAILY RAINFALL SUMMARY

338C Mt. Wilson-Observatory

Gage Type: Standard 8 inch diameter

Observation Time: 800

Latitude 34-14-07

Longitude: 118-04-28

Elevation: 5709 Feet

Water Year from 10/01/2001 to 09/30/2002

Day	Oct	Nov	Dec	Jan	Feb	Mar	Apr	May	Jun	Jul	Aug	Sep
1												
2												
3			0.77	0.08								
4		0.03	0.01									
5												
6							0.04					
7						0.72						
8						0.09						
9												
10			0.38									
11		0.21										
12		T										
13		0.53										
14			0.49									
15						0.01	0.01					
16				0.34			T					
17					0.39	T	T					
18					T	0.92						
19												
20			0.05					0.95				
21			0.99					0.03				
22												
23						0.30						
24		1.16				0.08	0.14					
25		0.23										
26							0.04					
27							0.04					
28				2.94			T					
29		0.11	0.32	0.01		0.01						
30	0.09		0.31	0.01								0.31
31	0.09		0.03									
Totals	0.18	2.27	3.35	3.38	0.39	2.13	0.27	0.98	0.00	0.00	0.00	0.31
												Water Year Total: 13.26

NOTE: All Values are in units of inches, unless otherwise specified.

LEGEND: A - Acculated Total
 E - Estimated
 T - Trace, unmeasurable amount of rain

Data Revised: March 2011

PRECIPITATION

DAILY RAINFALL SUMMARY

352B Lechuza Patrol Station

Gage Type: Daily Automatic (DPW)

Observation Time: 2400

Latitude 34-04-38

Longitude: 118-52-47

Elevation: 1620 Feet

Water Year from 10/01/2001 to 09/30/2002

Day	Oct	Nov	Dec	Jan	Feb	Mar	Apr	May	Jun	Jul	Aug	Sep
1												
2			0.36									
3		0.04	0.08				0.04					
4												
5												
6				0.44		0.15						
7						0.20						
8						0.04						
9												
10		0.04										
11		0.48										
12		0.88										
13												
14			0.12									
15							0.04					
16												
17					0.69E	0.35						
18												
19								0.04			0.04	
20			0.28				0.20					
21			0.56									
22												
23			0.04									
24		1.52										
25												
26												
27				1.84								
28												0.04
29		1.08	0.72									
30	0.16		0.16									
31			0.04									
Totals	0.16	4.04	2.36	2.28	0.69	0.74	0.08	0.24	0.00	0.00	0.04	0.04
											Water Year Total:	10.67

NOTE: All Values are in units of inches, unless otherwise specified.

LEGEND: A - Acculated Total
 E - Estimated
 T - Trace, unmeasurable amount of rain

Data Revised: March 2011

PRECIPITATION

DAILY RAINFALL SUMMARY

356C Spadra-Lanterman Hospital

Gage Type: Daily Automatic (DPW)

Observation Time: 2400

Latitude 34-02-31

Longitude: 117-48-35

Elevation: 690 Feet

Water Year from 10/01/2001 to 09/30/2002

Day	Oct	Nov	Dec	Jan	Feb	Mar	Apr	May	Jun	Jul	Aug	Sep
1												
2												
3			0.18									
4												
5												
6												
7						0.06						
8												
9												
10			T									
11		0.01										
12		0.40										
13												
14			0.47									
15												
16												
17			0.03		0.43	0.41						
18												
19												
20			0.01					0.24				
21			0.46									
22												
23						0.20						
24		1.30										
25							0.09					
26												
27												
28				0.75								
29		0.12		0.02								
30	0.02	0.01										
31	T		0.27									
Totals	0.02	1.84	1.42	0.77	0.43	0.67	0.09	0.24	0.00	0.00	0.00	0.00
												Water Year Total: 5.48

NOTE: All Values are in units of inches, unless otherwise specified.

LEGEND: A - Acculated Total
 E - Estimated
 T - Trace, unmeasurable amount of rain

Data Revised: March 2011

PRECIPITATION

DAILY RAINFALL SUMMARY

372 San Francisquito Power House No.2

Gage Type: Daily Automatic (DPW)

Observation Time: 2400

Latitude 34-32-02

Longitude: 118-31-27

Elevation: 1580 Feet

Water Year from 10/01/2001 to 09/30/2002

Day	Oct	Nov	Dec	Jan	Feb	Mar	Apr	May	Jun	Jul	Aug	Sep
1			0.01									
2			T									
3			0.38	0.12								
4			0.03									
5			T									T
6						T						
7						0.20						
8												
9									T			
10			T									
11		0.27										
12		0.06										
13		0.50										
14			0.01									
15							0.04					
16												
17					0.45							
18					0.10	0.10						
19												
20			0.04					0.14				
21			0.47									
22												
23			0.02			0.01						
24		1.37										
25		0.08										
26												
27												
28				0.90								0.01
29		0.51	0.25	T								T
30	0.30		0.10									
31	0.09		0.02									
Totals	0.39	2.79	1.33	1.02	0.55	0.31	0.04	0.14	0.00	0.00	0.00	0.01
												Water Year Total: 6.58

NOTE: All Values are in units of inches, unless otherwise specified.

LEGEND: A - Acculated Total
 E - Estimated
 T - Trace, unmeasurable amount of rain

Data Revised: March 2011

PRECIPITATION

DAILY RAINFALL SUMMARY

373C Briggs Terrace

Gage Type: Standard 8 inch diameter (DPW)

Observation Time: 800

Latitude 34-14-17

Longitude: 118-13-27

Elevation: 2200 Feet

Water Year from 10/01/2001 to 09/30/2002

Day	Oct	Nov	Dec	Jan	Feb	Mar	Apr	May	Jun	Jul	Aug	Sep
1												
2												
3			0.43	0.13								
4		0.02										
5												
6												0.05
7						0.75						
8						0.04	0.08					
9			0.58						0.13			
10			T									
11		0.24										
12		0.75										
13		0.02										
14			0.22									
15							0.28					
16				0.42								
17					0.49			0.08				
18						0.45						
19												
20								0.45				
21			0.84									
22												
23												
24		1.56					0.05					
25												
26												
27				1.05								
28				1.38								0.07
29		0.21	0.25			0.03						0.60
30	0.18		0.07									
31												
Totals	0.18	2.80	2.39	2.98	0.49	1.27	0.41	0.53	0.13	0.00	0.00	0.72
												Water Year Total: 11.90

NOTE: All Values are in units of inches, unless otherwise specified.

LEGEND: A - Acculated Total
 E - Estimated
 T - Trace, unmeasurable amount of rain

Data Revised: March 2011

PRECIPITATION

DAILY RAINFALL SUMMARY

379B San Gabriel-East Fork

Gage Type: Daily Automatic (DPW)

Observation Time: 2400

Latitude 34-14-09

Longitude: 117-48-18

Elevation: 1600 Feet

Water Year from 10/01/2001 to 09/30/2002

Day	Oct	Nov	Dec	Jan	Feb	Mar	Apr	May	Jun	Jul	Aug	Sep
1												
2												
3			0.04	0.04								
4												
5												
6				0.04		0.08						
7			0.04			0.19						
8												
9												
10	0.08											
11		0.04										
12		0.92	0.04									
13		0.28	0.08									
14		0.04										
15			0.44									
16		0.04	0.76									
17					0.44	0.48						
18												
19												
20		0.04	0.08					0.40				
21			0.56									
22			0.20									
23			0.04			0.11						
24		1.40					0.08					
25												
26	0.16	0.04										
27	0.12			2.21								
28	0.08			0.68		0.04						0.08
29	0.04	0.20	0.12	0.36								0.04
30	0.04		0.08	0.24								
31				0.36								
Totals	0.52	3.00	2.48	3.93	0.44	0.90	0.08	0.40	0.00	0.00	0.00	0.12
												Water Year Total: 11.87

NOTE: All Values are in units of inches, unless otherwise specified.

LEGEND: A - Acculated Total

E - Estimated

T - Trace, unmeasurable amount of rain

Data Revised: March 2011

PRECIPITATION

DAILY RAINFALL SUMMARY

387B Covina City Yard

Gage Type: Standard 8 inch diameter

Observation Time: 800

Latitude 34-05-02

Longitude: 117-53-57

Elevation: 508 Feet

Water Year from 10/01/2001 to 09/30/2002

Day	Oct	Nov	Dec	Jan	Feb	Mar	Apr	May	Jun	Jul	Aug	Sep
1												
2												
3			0.15									
4		0.05										
5												
6							T					
7					0.06							
8												
9												
10												
11		0.08										
12												
13		0.24										
14			0.30									
15			0.10				T					
16												
17					0.37							
18						0.29						
19												
20								0.31			T	
21			1.10									
22			0.01									
23												
24		1.64					0.10					
25		0.26										
26												
27							0.01					
28				0.95								
29		0.08	0.20									
30	0.01			0.08								
31	0.01		0.12									
Totals	0.02	2.35	1.98	1.03	0.37	0.35	0.11	0.31	0.00	0.00	0.00	0.00
												Water Year Total: 6.52

NOTE: All Values are in units of inches, unless otherwise specified.

LEGEND: A - Acculated Total

E - Estimated

T - Trace, unmeasurable amount of rain

Data Revised: March 2011

PRECIPITATION

DAILY RAINFALL SUMMARY

388D **Paramount-County Fire Department**

Gage Type: 8.81 inch diameter (DPW)

Observation Time: 800

Latitude 33-53-50

Longitude: 118-10-02

Elevation: 80 Feet

Water Year from 10/01/2001 to 09/30/2002

Day	Oct	Nov	Dec	Jan	Feb	Mar	Apr	May	Jun	Jul	Aug	Sep
1												
2												
3				0.07								
4			1.18									
5												
6												
7						0.24						
8						T						
9												
10												
11												
12												
13		0.51										
14												
15			0.38									
16												
17					0.04							
18						0.11						
19												
20												
21			0.35					0.34				
22												
23												
24							0.15					
25		0.69				0.31						
26												
27												
28				0.74								
29			A	0.11								
30		0.34	0.53A									
31												
Totals	0.00	1.54	2.44	0.92	0.04	0.66	0.15	0.34	0.00	0.00	0.00	0.00
												Water Year Total: 6.09

NOTE: All Values are in units of inches, unless otherwise specified.

LEGEND: A - Acculated Total
 E - Estimated
 T - Trace, unmeasurable amount of rain

Data Revised: March 2011

PRECIPITATION

DAILY RAINFALL SUMMARY

390B **Morris Dam**

Gage Type: Standard 8 inch diameter

Observation Time: 800

Latitude 34-10-53

Longitude: 117-52-43

Elevation: 1210 Feet

Water Year from 10/01/2001 to 09/30/2002

Day	Oct	Nov	Dec	Jan	Feb	Mar	Apr	May	Jun	Jul	Aug	Sep
1												
2												
3			0.32	0.03								
4		0.01	T									
5		0.03										
6								T				
7						0.56	0.03					
8						0.12						
9									0.03			
10			0.02									
11		0.03										
12												
13		0.58				T						
14												
15			0.30				0.08					
16							0.05					
17					0.40		0.01					
18					0.25	0.62						
19								0.04				
20								0.06				
21			0.84				0.34	0.02				
22			0.02					0.04				
23						0.05						
24						0.04						
25		1.52					0.13					
26												
27							0.13					
28				2.45								
29			0.03	0.05		0.03						0.11
30		0.06	0.07	0.04								
31	0.05		0.04									
Totals	0.05	2.23	1.64	2.57	0.65	1.42	0.43	0.44	0.09	0.00	0.00	0.11
										Water Year Total:		9.63

NOTE: All Values are in units of inches, unless otherwise specified.

LEGEND: A - Acculated Total

 E - Estimated

 T - Trace, unmeasurable amount of rain

Data Revised: March 2011

PRECIPITATION

DAILY RAINFALL SUMMARY

395C Olive View Sanitarium

Gage Type: Daily Automatic (DPW)

Observation Time: 2400

Latitude 34-19-29

Longitude: 118-26-55

Elevation: 1425 Feet

Water Year from 10/01/2001 to 09/30/2002

Day	Oct	Nov	Dec	Jan	Feb	Mar	Apr	May	Jun	Jul	Aug	Sep
1												
2			0.08									
3			0.16	0.16E								
4												
5												
6							0.04					
7						0.66E						
8						T						
9												
10												
11		0.32										
12		0.52										
13												
14			0.16									
15							0.04					
16				0.25E								
17					0.57E							
18					0.18E	0.34E						
19												
20			0.35					0.28				
21			0.04									
22												
23						0.13E						
24		1.08				T						
25												
26												
27							0.04					
28				1.32E								0.08
29		0.36	0.24									0.04
30	0.16		0.03									
31												
Totals	0.16	2.28	1.06	1.73	0.75	1.13	0.12	0.28	0.00	0.00	0.00	0.12
												Water Year Total: 7.63

NOTE: All Values are in units of inches, unless otherwise specified.

LEGEND: A - Acculated Total
 E - Estimated
 T - Trace, unmeasurable amount of rain

Data Revised: March 2011

PRECIPITATION

DAILY RAINFALL SUMMARY

402F Cedar Springs

Gage Type: Daily Automatic (DPW)

Observation Time: 2400

Latitude 34-21-21

Longitude: 117-52-34

Elevation: 6780 Feet

Water Year from 10/01/2001 to 09/30/2002

Day	Oct	Nov	Dec	Jan	Feb	Mar	Apr	May	Jun	Jul	Aug	Sep
1					0.23							0.28
2			0.24		0.36							
3			0.59		0.04							
4			0.12		0.04							
5												
6				0.04		0.51						
7						0.12						
8												
9												
10			0.11									
11		0.12										
12		0.83										
13												
14												
15			0.16									
16												
17												
18					0.43	0.12						
19						0.08						
20								0.39				
21			0.32					0.08				
22			0.19									
23			0.04			0.04						
24		1.65					0.20					
25												
26							0.12					
27												
28						0.23						
29		0.04	0.20									0.08
30		0.20										
31												
Totals	0.00	2.84	1.97	0.04	1.10	1.10	0.32	0.47	0.00	0.00	0.00	0.36
												Water Year Total: 8.20

NOTE: All Values are in units of inches, unless otherwise specified.

LEGEND: A - Acculated Total
 E - Estimated
 T - Trace, unmeasurable amount of rain

Data Revised: March 2011

PRECIPITATION

DAILY RAINFALL SUMMARY

405B Soledad Canyon

Gage Type: Standard 8 inch diameter (DPW)

Observation Time: 800

Latitude 34-26-23

Longitude: 118-17-33

Elevation: 2150 Feet

Water Year from 10/01/2001 to 09/30/2002

Day	Oct	Nov	Dec	Jan	Feb	Mar	Apr	May	Jun	Jul	Aug	Sep
1			A									
2			0.19A									
3			T	0.10								
4			0.02									
5												
6						0.08						
7						0.04						
8												
9			0.10									
10												
11												
12												
13		0.72										
14												
15												
16												
17					0.09	0.16						
18												
19												
20			0.27					0.23				
21			0.39									
22												
23												
24		0.80										
25												
26												
27												
28				0.94								
29		0.19	0.25									
30	0.25		0.04									
31												
Totals	0.25	1.71	1.26	1.04	0.09	0.28	0.00	0.23	0.00	0.00	0.00	0.00
												Water Year Total: 4.86

NOTE: All Values are in units of inches, unless otherwise specified.

LEGEND: A - Acculated Total
 E - Estimated
 T - Trace, unmeasurable amount of rain

Data Revised: March 2011

PRECIPITATION

DAILY RAINFALL SUMMARY

406C West Azusa

Gage Type: Standard 8 inch diameter (DPW)

Observation Time: 800

Latitude 34-06-53

Longitude: 117-54-56

Elevation: 505 Feet

Water Year from 10/01/2001 to 09/30/2002

Day	Oct	Nov	Dec	Jan	Feb	Mar	Apr	May	Jun	Jul	Aug	Sep
1												
2												
3			0.17									
4												
5		0.02										
6												
7						0.25						
8												
9												
10			0.03									
11												
12												
13		0.41										
14												
15			0.36									
16												
17					0.23							
18						0.35						
19												
20								0.02				
21			0.86					0.12				
22									0.12			
23					0.04							
24												
25		2.03					0.11					
26												
27							0.01					
28				1.23								
29			0.02			0.01						
30		0.10	0.11	0.11								
31	0.18		0.02									
Totals	0.18	2.56	1.57	1.34	0.23	0.65	0.12	0.14	0.12	0.00	0.00	0.00
										Water Year Total:		6.91

NOTE: All Values are in units of inches, unless otherwise specified.

LEGEND: A - Acculated Total
 E - Estimated
 T - Trace, unmeasurable amount of rain

Data Revised: March 2011

PRECIPITATION

DAILY RAINFALL SUMMARY

409B Pyramid Reservoir

Gage Type: Standard 8 inch diameter

Observation Time: 800

Latitude 34-40-34

Longitude: 118-46-47

Elevation: 2505 Feet

Water Year from 10/01/2001 to 09/30/2002

Day	Oct	Nov	Dec	Jan	Feb	Mar	Apr	May	Jun	Jul	Aug	Sep
1				T								
2			0.03									
3			0.11									
4			0.18									
5			T									
6												
7						0.05						
8						0.05						
9												
10												
11		0.04										
12		T										
13		1.03	0.04									
14						0.04						
15						0.02						
16												
17					0.13							
18						0.08						
19					0.03							
20			0.03					0.06				
21			0.32									
22												
23												
24												
25		0.51										
26												
27												
28				0.23								
29		0.15	0.05									
30	0.09	0.07	0.01									
31	0.08		0.06									
Totals	0.17	1.80	0.83	0.23	0.16	0.24	0.00	0.06	0.00	0.00	0.00	0.00
												Water Year Total: 3.49

NOTE: All Values are in units of inches, unless otherwise specified.

LEGEND: A - Acculated Total

E - Estimated

T - Trace, unmeasurable amount of rain

Data Revised: March 2011

PRECIPITATION

DAILY RAINFALL SUMMARY

415 Signal Hill-City Hall

Gage Type: Daily Automatic (DPW)

Observation Time: 2400

Latitude 33-47-49

Longitude: 118-10-03

Elevation: 140 Feet

Water Year from 10/01/2001 to 09/30/2002

Day	Oct	Nov	Dec	Jan	Feb	Mar	Apr	May	Jun	Jul	Aug	Sep
1												
2			0.04									
3			0.36									
4		0.04										
5												
6				0.08			0.04					
7						0.04						
8												
9												
10												
11												
12		0.44										
13												
14			0.08									
15							0.04					
16												
17												
18						0.04						
19			0.04									
20					0.12			0.12				
21			0.32									
22												
23						0.04						
24		0.32					0.04					
25												
26												
27				0.20								
28				0.20								
29		0.28	0.32	0.04								
30		0.04	0.16									
31												
Totals	0.00	1.12	1.32	0.52	0.12	0.12	0.12	0.12	0.00	0.00	0.00	0.00
												Water Year Total: 3.44

NOTE: All Values are in units of inches, unless otherwise specified.

LEGEND: A - Acculated Total
 E - Estimated
 T - Trace, unmeasurable amount of rain

Data Revised: March 2011

PRECIPITATION

DAILY RAINFALL SUMMARY

423C Angeles Forest-Aliso

Gage Type: Daily Automatic (DPW)

Observation Time: 2400

Latitude 34-24-57

Longitude: 118-05-26

Elevation: 3920 Feet

Water Year from 10/01/2001 to 09/30/2002

Day	Oct	Nov	Dec	Jan	Feb	Mar	Apr	May	Jun	Jul	Aug	Sep
1												
2			0.16									
3			0.28									
4			0.12									
5												
6				0.08		0.03						
7						0.04						
8												
9												
10			0.16									
11		0.04										
12		0.48										
13												
14			0.08									
15												
16												
17					0.48E	0.20						
18						0.12						
19												
20			0.44					0.23				
21			0.08									
22												
23												
24		0.80					0.04					
25												
26												
27				1.20								
28				0.08								
29		0.12	0.16	0.04								0.04
30	0.28		0.04			0.08						
31												
Totals	0.28	1.44	1.52	1.40	0.48	0.47	0.04	0.23	0.00	0.00	0.00	0.04
												Water Year Total: 5.90

NOTE: All Values are in units of inches, unless otherwise specified.

LEGEND: A - Acculated Total
 E - Estimated
 T - Trace, unmeasurable amount of rain

Data Revised: March 2011

PRECIPITATION

DAILY RAINFALL SUMMARY

425B San Gabriel Dam

Gage Type: Daily Automatic (DPW)

Observation Time: 2400

Latitude 34-12-19

Longitude: 117-51-38

Elevation: 1481 Feet

Water Year from 10/01/2001 to 09/30/2002

Day	Oct	Nov	Dec	Jan	Feb	Mar	Apr	May	Jun	Jul	Aug	Sep
1												
2												
3			0.47	0.04								
4		T	T									
5		0.02										
6												
7						0.46		T				
8						0.03						
9	T								0.02			
10			0.04									
11		0.02										
12		T										
13		0.72										
14			T									
15			0.51				0.05					
16							0.08					
17					0.32		T					
18					0.32	0.80						
19								T				
20								0.05				
21			1.10					0.51				
22			0.01									
23						0.06						
24						0.17						
25		1.72				0.02	0.14					
26												
27							0.05					
28				2.78								T
29			0.05	0.01		0.02						0.04
30		0.10	0.08	0.02								
31	0.06		0.04									
Totals	0.06	2.58	2.30	2.85	0.64	1.56	0.32	0.56	0.02	0.00	0.00	0.04
											Water Year Total:	10.93

NOTE: All Values are in units of inches, unless otherwise specified.

LEGEND: A - Acculated Total

E - Estimated

T - Trace, unmeasurable amount of rain

Data Revised: March 2011

PRECIPITATION

DAILY RAINFALL SUMMARY

435 **Monte Nido**

Gage Type: Daily Automatic (DPW)

Observation Time: 2400

Latitude 34-04-41

Longitude: 118-41-35

Elevation: 600 Feet

Water Year from 10/01/2001 to 09/30/2002

Day	Oct	Nov	Dec	Jan	Feb	Mar	Apr	May	Jun	Jul	Aug	Sep
1												
2			0.20									
3			0.08									
4												
5												
6												
7												
8												
9												
10												
11		0.20										
12		0.56										
13												
14			0.12									
15												
16												0.08
17						0.16						
18					0.52							
19												
20			0.28					0.16				
21			0.28					0.04				
22			0.04									
23				0.48								
24		2.16										
25												
26												
27				1.52								
28												
29		0.64	0.44									
30	0.16		0.08									
31												
Totals	0.16	3.56	1.52	2.00	0.52	0.16	0.00	0.20	0.00	0.00	0.00	0.08
												Water Year Total: 8.20

NOTE: All Values are in units of inches, unless otherwise specified.

LEGEND: A - Acculated Total

 E - Estimated

 T - Trace, unmeasurable amount of rain

Data Revised: March 2011

PRECIPITATION

DAILY RAINFALL SUMMARY

436C **Hansen Dam**

Gage Type: Daily Automatic (DPW)

Observation Time: 2400

Latitude 34-16-08

Longitude: 118-23-59

Elevation: 1110 Feet

Water Year from 10/01/2001 to 09/30/2002

Day	Oct	Nov	Dec	Jan	Feb	Mar	Apr	May	Jun	Jul	Aug	Sep
1												
2												
3			0.12	0.07								
4												
5												
6							0.03					0.01
7						0.09						
8												
9												
10			0.02									
11		0.03	0.01									
12												
13		0.39										
14			0.10									
15							0.03					
16				0.08								
17					0.20							
18						0.22						
19								0.01				
20								0.10				
21			0.33									
22												
23												
24		0.82										
25		0.01										
26												
27				0.39			0.01					
28				0.58								
29		0.10	0.13									0.13
30	0.12		0.02									
31	0.02											
Totals	0.14	1.35	0.73	1.12	0.20	0.31	0.07	0.11	0.00	0.00	0.00	0.14
												Water Year Total: 4.17

NOTE: All Values are in units of inches, unless otherwise specified.

LEGEND: A - Acculated Total

 E - Estimated

 T - Trace, unmeasurable amount of rain

Data Revised: March 2011

PRECIPITATION

DAILY RAINFALL SUMMARY

446 Aliso Canyon-Oat Mountain

Gage Type: Daily Automatic (DPW)

Observation Time: 2400

Latitude 34-18-53

Longitude: 118-33-25

Elevation: 2367 Feet

Water Year from 10/01/2001 to 09/30/2002

Day	Oct	Nov	Dec	Jan	Feb	Mar	Apr	May	Jun	Jul	Aug	Sep
1												
2			0.24									
3			0.44									
4												
5												
6				0.04		0.56	0.08					
7						0.24						
8												
9			0.04									
10												
11		0.80										
12		0.56										0.08
13												
14			0.24									
15				0.04			0.08					
16				0.08								
17						0.48						
18					0.44							
19								0.04				
20			0.28					0.44				
21			0.20									
22									0.04			
23			0.04			0.16						
24		1.68										
25												
26												
27				1.80								
28												0.08
29		0.44	0.32									0.12
30	0.16		0.04									
31			0.04									
Totals	0.16	3.48	1.88	1.96	0.44	1.44	0.16	0.48	0.04	0.00	0.00	0.28
Water Year Total:												10.32

NOTE: All Values are in units of inches, unless otherwise specified.

LEGEND: A - Acculated Total
 E - Estimated
 T - Trace, unmeasurable amount of rain

Data Revised: March 2011

PRECIPITATION

DAILY RAINFALL SUMMARY

447C Carbon Canyon

Gage Type: Standard 8 inch diameter (DPW)

Observation Time: 800

Latitude 34-02-18

Longitude: 118-38-56

Elevation: 50 Feet

Water Year from 10/01/2001 to 09/30/2002

Day	Oct	Nov	Dec	Jan	Feb	Mar	Apr	May	Jun	Jul	Aug	Sep
1												
2												
3			0.10	0.37			0.08					
4												
5												
6												0.03
7						0.13						
8												
9												
10												
11		0.14										
12		0.13										
13		0.20										
14												
15			0.13									
16				0.27								
17					0.44E							
18						0.33						
19												
20								0.28E				
21			0.45									
22			0.06									
23												
24												
25		0.89										
26												
27												
28				0.80								
29			0.04	T								0.22
30	0.15	0.65	0.25	T								
31			0.07									
Totals	0.15	2.01	1.10	1.44	0.44	0.46	0.08	0.28	0.00	0.00	0.00	0.25
												Water Year Total: 6.21

NOTE: All Values are in units of inches, unless otherwise specified.

LEGEND: A - Acculated Total
 E - Estimated
 T - Trace, unmeasurable amount of rain

Data Revised: March 2011

PRECIPITATION

DAILY RAINFALL SUMMARY

449B Eaton Wash Dam

Gage Type: Daily Automatic (DPW)

Observation Time: 2400

Latitude 34-10-06

Longitude: 118-05-33

Elevation: 880 Feet

Water Year from 10/01/2001 to 09/30/2002

Day	Oct	Nov	Dec	Jan	Feb	Mar	Apr	May	Jun	Jul	Aug	Sep
1												
2												
3			0.14	0.06								
4												
5												
6												
7						0.23						
8							0.01					
9												
10												
11		0.07										
12												
13		0.41										
14												
15							0.09					
16			A	0.09								
17			0.21A	0.02	A							
18					0.34A	0.46						
19								A			0.01	
20								0.05A				
21			0.58					0.18	0.10			
22			0.03						A			
23									0.10A			
24												
25		1.42				0.07	0.10					
26												
27												
28				0.78								
29				T		0.02						0.06
30		0.12										
31	0.05		0.17									
Totals	0.05	2.02	1.13	0.95	0.34	0.78	0.20	0.23	0.20	0.00	0.01	0.06
										Water Year Total:		5.97

NOTE: All Values are in units of inches, unless otherwise specified.

LEGEND: A - Acculated Total

E - Estimated

T - Trace, unmeasurable amount of rain

Data Revised: March 2011

PRECIPITATION

DAILY RAINFALL SUMMARY

453D Devil's Gate Dam

Gage Type: Daily Automatic (DPW)

Observation Time: 2400

Latitude 34-10-53

Longitude: 118-10-27

Elevation: 980 Feet

Water Year from 10/01/2001 to 09/30/2002

Day	Oct	Nov	Dec	Jan	Feb	Mar	Apr	May	Jun	Jul	Aug	Sep
1												
2												
3			0.20	0.08								
4												
5		0.02										
6												
7						0.23						
8							T					
9												
10			0.03									
11												
12		0.07										
13		0.18										
14												
15			0.12				0.05					
16				0.12								
17				0.01	A							
18					0.30A	0.38						
19												
20								0.12				
21			0.73					0.16	0.09			
22			0.03									
23												
24									0.02			
25		1.18					0.02					
26												
27												
28				1.29								0.24
29		0.01	A			0.02						
30		0.08	0.21A									
31	0.02											
Totals	0.02	1.54	1.32	1.50	0.30	0.63	0.07	0.28	0.11	0.00	0.00	0.24
										Water Year Total:		6.01

NOTE: All Values are in units of inches, unless otherwise specified.

LEGEND: A - Acculated Total

E - Estimated

T - Trace, unmeasurable amount of rain

Data Revised: March 2011

PRECIPITATION

DAILY RAINFALL SUMMARY

455B Lancaster-State Hwy Maintenance Sta.

Gage Type: Standard 8 inch diameter (DPW)

Observation Time: 800

Latitude 34-40-57

Longitude: 118-08-02

Elevation: 2395 Feet

Water Year from 10/01/2001 to 09/30/2002

Day	Oct	Nov	Dec	Jan	Feb	Mar	Apr	May	Jun	Jul	Aug	Sep
1												
2												
3			T	T								
4			0.10									
5												T
6												
7						0.03						
8												
9												
10												
11												
12												
13		0.26										
14												
15												
16												
17						T						
18												
19												
20								0.05				
21			0.38									
22												
23												
24		0.34					T					
25												
26												
27												
28				0.13								
29		T										
30												
31	0.19		0.38									
Totals	0.19	0.60	0.86	0.13	0.00	0.03	0.00	0.05	0.00	0.00	0.00	0.00
												Water Year Total: 1.86

NOTE: All Values are in units of inches, unless otherwise specified.

LEGEND: A - Acculated Total
 E - Estimated
 T - Trace, unmeasurable amount of rain

Data Revised: March 2011

PRECIPITATION

DAILY RAINFALL SUMMARY

462B Los AngelesHillcrest Country Club

Gage Type: Standard 8 inch diameter (DPW)

Observation Time: 800

Latitude 34-02-54

Longitude: 118-24-06

Elevation: 185 Feet

Water Year from 10/01/2001 to 09/30/2002

Day	Oct	Nov	Dec	Jan	Feb	Mar	Apr	May	Jun	Jul	Aug	Sep
1												
2												
3			0.37	0.08								
4												
5												
6												
7						0.14						
8												
9												
10												
11		0.11										
12		0.22										
13												
14			0.12									
15							0.07E					
16												
17					0.30							
18												
19												
20								0.08E				
21			0.16									
22												
23												
24												
25		0.78										
26		0.03										
27				0.75								
28												
29		0.28										
30			0.49									
31												
Totals	0.00	1.42	1.14	0.83	0.30	0.14	0.07	0.08	0.00	0.00	0.00	0.00
												Water Year Total: 3.98

NOTE: All Values are in units of inches, unless otherwise specified.

LEGEND: A - Acculated Total
 E - Estimated
 T - Trace, unmeasurable amount of rain

Data Revised: March 2011

PRECIPITATION

DAILY RAINFALL SUMMARY

465C Sepulveda Dam

Gage Type: Daily Automatic (DPW)

Observation Time: 2400

Latitude 34-10-06

Longitude: 118-28-11

Elevation: 683 Feet

Water Year from 10/01/2001 to 09/30/2002

Day	Oct	Nov	Dec	Jan	Feb	Mar	Apr	May	Jun	Jul	Aug	Sep
1												
2												
3			0.16	0.17								
4												
5												0.01
6												
7						0.10						
8												
9												
10			0.05									
11		0.01										
12		0.07										
13		0.37										
14			0.05									
15							0.03					
16												
17					0.13							
18						0.04						
19												
20								0.10				
21			0.49									
22												
23						0.01						
24		1.18										
25												
26												
27				0.28								
28				0.26								
29		0.23	0.43									
30	0.16		0.03									
31	0.01		0.01									
Totals	0.17	1.86	1.22	0.71	0.13	0.15	0.03	0.10	0.00	0.00	0.00	0.01
												Water Year Total: 4.38

NOTE: All Values are in units of inches, unless otherwise specified.

LEGEND: A - Acculated Total
 E - Estimated
 T - Trace, unmeasurable amount of rain

Data Revised: March 2011

PRECIPITATION

DAILY RAINFALL SUMMARY

482 Los Angeles-U.S.C.

Gage Type: Standard 8 inch diameter (DPW)

Observation Time: 800

Latitude 34-01-14

Longitude: 118-17-15

Elevation: 208 Feet

Water Year from 10/01/2001 to 09/30/2002

Day	Oct	Nov	Dec	Jan	Feb	Mar	Apr	May	Jun	Jul	Aug	Sep
1												
2												
3		0.02	0.24	0.06								
4		0.01										
5												
6												0.02
7						0.15						
8												
9												
10												
11		0.03										
12												
13		0.36										
14			0.16									
15												
16							0.08					
17					0.25	0.23						
18												
19												
20			0.01					0.06				
21			0.69						0.02			
22												
23						0.06						
24							0.04					
25		0.84										
26		0.02										
27				0.60								
28				0.05								0.03
29		0.18	0.35	0.06		0.02						
30	0.04											
31	0.02											
Totals	0.06	1.46	1.45	0.77	0.25	0.46	0.12	0.06	0.02	0.00	0.00	0.05
												Water Year Total: 4.70

NOTE: All Values are in units of inches, unless otherwise specified.

LEGEND: A - Acculated Total
 E - Estimated
 T - Trace, unmeasurable amount of rain

Data Revised: March 2011

PRECIPITATION

DAILY RAINFALL SUMMARY

488B Kagel Canyon Patrol Station

Gage Type: Standard 8 inch diameter (DPW)

Observation Time: 800

Latitude 34-17-45

Longitude: 118-22-30

Elevation: 1450 Feet

Water Year from 10/01/2001 to 09/30/2002

Day	Oct	Nov	Dec	Jan	Feb	Mar	Apr	May	Jun	Jul	Aug	Sep
1												
2												
3			0.39									
4												
5		0.01										0.02
6				0.16			0.25					
7						0.21						
8												
9												
10		0.10										
11												
12		0.66				0.05						
13												
14												
15				0.16			0.02					
16				0.28				0.20				
17					0.32			0.02				
18					0.03	0.45						
19							0.03					
20												
21												
22												
23						0.13						
24												
25		1.05										
26							0.05					
27				1.72								
28												0.03
29		0.06	0.22					0.03				
30			0.45									0.38
31	0.20											
Totals	0.20	1.88	1.06	2.32	0.35	0.84	0.35	0.25	0.00	0.00	0.00	0.43
												Water Year Total: 7.68

NOTE: All Values are in units of inches, unless otherwise specified.

LEGEND: A - Acculated Total
 E - Estimated
 T - Trace, unmeasurable amount of rain

Data Revised: March 2011

PRECIPITATION

DAILY RAINFALL SUMMARY

491D Pacific Palisades

Gage Type: Standard 8 inch diameter (DPW)

Observation Time: 800

Latitude 34-02-22

Longitude: 118-31-43

Elevation: 293 Feet

Water Year from 10/01/2001 to 09/30/2002

Day	Oct	Nov	Dec	Jan	Feb	Mar	Apr	May	Jun	Jul	Aug	Sep
1												
2												
3			0.30	0.17								
4		0.05										
5												0.04
6												
7						0.20						
8												
9												
10												
11												
12		0.38										
13		0.31										
14												
15			0.14				0.12					
16												
17					0.37	0.26						
18												
19												
20								0.17				
21												
22												
23												
24		1.25										
25												
26												
27												
28				1.20								0.02
29		0.59										
30	0.11											
31												
Totals	0.11	2.58	0.44	1.37	0.37	0.46	0.12	0.17	0.00	0.00	0.00	0.06
												Water Year Total: 5.68

NOTE: All Values are in units of inches, unless otherwise specified.

LEGEND: A - Acculated Total
 E - Estimated
 T - Trace, unmeasurable amount of rain

Data Revised: March 2011

PRECIPITATION

DAILY RAINFALL SUMMARY

497 **Claremont-Slaughter**

Gage Type: Standard 8 inch diameter (DPW)

Observation Time: 800

Latitude 34-07-35

Longitude: 117-43-55

Elevation: 1350 Feet

Water Year from 10/01/2001 to 09/30/2002

Day	Oct	Nov	Dec	Jan	Feb	Mar	Apr	May	Jun	Jul	Aug	Sep
1												
2												
3			0.16									
4				0.05								
5												
6												
7						0.10	0.01					
8												
9												
10												
11												
12		0.08										
13		0.28				0.03						
14			0.48									
15							0.02					
16												
17					0.36							
18						0.84						
19								0.03				
20								0.23				
21			1.08									
22												
23						0.04						
24		1.81				0.01	0.11					
25		0.04										
26							0.02					
27				0.15								
28				1.25		T						
29		0.05	0.15	0.01								
30	T											
31												
Totals	0.00	2.26	1.87	1.46	0.36	1.02	0.16	0.26	0.00	0.00	0.00	0.00
												Water Year Total: 7.39

NOTE: All Values are in units of inches, unless otherwise specified.

LEGEND: A - Acculated Total
 E - Estimated
 T - Trace, unmeasurable amount of rain

Data Revised: March 2011

PRECIPITATION

DAILY RAINFALL SUMMARY

564C Llano

Gage Type: Standard 8 inch diameter (DPW)

Observation Time: 800

Latitude 34-29-13

Longitude: 117-50-02

Elevation: 3390 Feet

Water Year from 10/01/2001 to 09/30/2002

Day	Oct	Nov	Dec	Jan	Feb	Mar	Apr	May	Jun	Jul	Aug	Sep
1												
2												
3				0.05								
4			0.02									
5		T										
6												
7												
8												
9												
10												
11												
12												
13												
14		0.20	0.08									
15										0.30		
16												
17												
18						0.07						
19												
20												
21			0.16					0.02				
22												
23												
24							0.09					
25		0.21										
26												
27												
28				0.15		0.09						
29		0.03										
30			0.40									
31	0.20		0.03								T	
Totals	0.20	0.44	0.69	0.20	0.00	0.16	0.09	0.02	0.00	0.30	0.00	0.00
												Water Year Total: 2.10

NOTE: All Values are in units of inches, unless otherwise specified.

LEGEND: A - Acculated Total

E - Estimated

T - Trace, unmeasurable amount of rain

Data Revised: March 2011

PRECIPITATION

DAILY RAINFALL SUMMARY

591B Santa Anita Reservoir

Gage Type: Standard 8 inch diameter

Observation Time: 800

Latitude 34-11-08

Longitude: 118-06-16

Elevation: 1205 Feet

Water Year from 10/01/2001 to 09/30/2002

Day	Oct	Nov	Dec	Jan	Feb	Mar	Apr	May	Jun	Jul	Aug	Sep
1												
2												
3			0.13	0.08								
4												
5		0.03										
6							0.01					
7						0.30						
8						0.13						
9									0.07			
10			0.02									
11		0.07										
12												
13		0.71										
14												
15							0.10					
16				0.31								
17					0.34							
18						0.51						
19								0.07			0.05	
20								0.30				
21			0.76									
22									0.12			
23						0.20						
24												
25		1.57				0.10	0.09					
26												
27												
28				1.90								
29			0.11			0.03						0.70
30		0.13		0.01								
31	0.09		0.04									
Totals	0.09	2.51	1.06	2.30	0.34	1.27	0.20	0.37	0.19	0.00	0.05	0.70
										Water Year Total:		9.08

NOTE: All Values are in units of inches, unless otherwise specified.

LEGEND: A - Acculated Total
 E - Estimated
 T - Trace, unmeasurable amount of rain

Data Revised: March 2011

PRECIPITATION

DAILY RAINFALL SUMMARY

598D Neenach-Check 43-California D.W.R.

Gage Type: Standard 8 inch diameter

Observation Time: 800

Latitude 34-47-40

Longitude: 118-37-15

Elevation: 2965 Feet

Water Year from 10/01/2001 to 09/30/2002

Day	Oct	Nov	Dec	Jan	Feb	Mar	Apr	May	Jun	Jul	Aug	Sep
1		T	T									
2												
3			0.05									
4			0.25									
5												
6						0.02						
7						0.02						
8						0.08						
9												
10												
11		T										
12		T										
13		0.80										
14			T			T						
15			0.10			T						
16			T			0.01						
17					0.03E	T						
18					0.01E	0.23						
19						T						
20												
21			0.11									
22			T									
23			0.04									
24						0.04						
25		0.25										
26							T					
27												
28			0.08	0.10E								
29		0.25	0.01	0.01E								
30	0.46	0.02	0.01									
31	0.22											
Totals	0.68	1.32	0.65	0.11	0.04	0.40	0.00	0.00	0.00	0.00	0.00	0.00
												Water Year Total: 3.20

NOTE: All Values are in units of inches, unless otherwise specified.

LEGEND: A - Acculated Total
 E - Estimated
 T - Trace, unmeasurable amount of rain

Data Revised: March 2011

PRECIPITATION

DAILY RAINFALL SUMMARY

610B Pasadena-City Hall

Gage Type: Standard 8 inch diameter

Observation Time: 800

Latitude 34-08-54

Longitude: 118-08-36

Elevation: 864 Feet

Water Year from 10/01/2001 to 09/30/2002

Day	Oct	Nov	Dec	Jan	Feb	Mar	Apr	May	Jun	Jul	Aug	Sep
1												
2				0.03								
3			0.15	0.07			T					
4												
5		T										
6												
7						0.18						
8						0.01						
9												
10			0.01						0.02			
11												
12		T										
13		0.65										
14			0.17									
15							0.05					
16				0.13								
17					0.41							
18						0.24						
19								0.05			0.03	
20								0.20			T	
21			0.65						0.10			
22												
23						T						
24		1.80					0.10					
25												
26												
27				0.35								0.06
28				1.30								0.57
29		0.15	0.23									
30	0.06											
31			0.05									
Totals	0.06	2.60	1.26	1.88	0.41	0.43	0.15	0.25	0.12	0.00	0.03	0.63
										Water Year Total:		7.82

NOTE: All Values are in units of inches, unless otherwise specified.

LEGEND: A - Acculated Total
 E - Estimated
 T - Trace, unmeasurable amount of rain

Data Revised: March 2011

PRECIPITATION

DAILY RAINFALL SUMMARY

612B Pasadena-Chlorine Plant

Gage Type: Standard 8 inch diameter

Observation Time: 800

Latitude 34-12-04

Longitude: 118-09-49

Elevation: 1160 Feet

Water Year from 10/01/2001 to 09/30/2002

Day	Oct	Nov	Dec	Jan	Feb	Mar	Apr	May	Jun	Jul	Aug	Sep
1												
2												
3			0.20	0.10								
4												
5		0.02										
6							0.01					
7						0.38						
8						0.04						
9									0.10			
10												
11		0.05										
12												
13		0.58										
14												
15			0.17				0.11					
16				0.16								
17					0.35							
18						0.40						
19								0.06			0.02	
20								0.19				
21			0.77						0.06			
22									0.02			
23						0.25						
24												
25		1.33					0.05					
26												
27												
28				1.75								
29			0.10									0.41
30		0.13										
31	0.15		0.06									
Totals	0.15	2.11	1.30	2.01	0.35	1.07	0.17	0.25	0.18	0.00	0.02	0.41
												Water Year Total: 8.02

NOTE: All Values are in units of inches, unless otherwise specified.

LEGEND: A - Acculated Total
 E - Estimated
 T - Trace, unmeasurable amount of rain

Data Revised: March 2011

PRECIPITATION

DAILY RAINFALL SUMMARY

613C Pasadena Fire Station

Gage Type: Standard 8 inch diameter

Observation Time: 800

Latitude 34-07-15

Longitude: 118-08-05

Elevation: 779 Feet

Water Year from 10/01/2001 to 09/30/2002

Day	Oct	Nov	Dec	Jan	Feb	Mar	Apr	May	Jun	Jul	Aug	Sep
1												
2												
3			0.17	0.07								
4												
5		0.01										
6												
7						0.18						
8												
9									0.02			
10												
11		0.05										
12												
13		0.63										
14												
15							0.06					
16				0.22								
17					0.45							
18						0.20						
19								0.03			0.02	
20								0.18				
21			0.71									
22												
23						0.20						
24												
25		1.91					0.08					
26												
27												
28				1.68								
29			0.08			0.02						0.39
30		0.14		0.03								
31	0.07		0.03									
Totals	0.07	2.74	0.99	2.00	0.45	0.60	0.14	0.21	0.02	0.00	0.02	0.39
												Water Year Total: 7.63

NOTE: All Values are in units of inches, unless otherwise specified.

LEGEND: A - Acculated Total
 E - Estimated
 T - Trace, unmeasurable amount of rain

Data Revised: March 2011

PRECIPITATION

DAILY RAINFALL SUMMARY

627 San Gabriel Canyon-Power House

Gage Type: Daily Automatic (DPW)

Observation Time: 2400

Latitude 34-09-20

Longitude: 117-54-28

Elevation: 744 Feet

Water Year from 10/01/2001 to 09/30/2002

Day	Oct	Nov	Dec	Jan	Feb	Mar	Apr	May	Jun	Jul	Aug	Sep
1												
2												
3			0.28	0.01								
4		0.01										
5		0.02										
6												
7						0.58	0.01					
8						0.03						
9									0.05			
10			0.20									
11		0.03										
12												
13		0.53										
14												
15							0.06					
16												
17					0.49							
18						0.64						
19								0.01				
20								0.06			0.01	
21			1.19					0.18				
22			0.01						0.09			
23						0.04						
24						0.03						
25		2.00					0.10					
26												
27							0.02					
28				1.78								
29				0.04								0.09
30		0.06	0.08	0.02								
31	0.02		0.01									
Totals	0.02	2.65	1.77	1.85	0.49	1.32	0.19	0.25	0.14	0.00	0.01	0.09
										Water Year Total:		8.78

NOTE: All Values are in units of inches, unless otherwise specified.

LEGEND: A - Acculated Total
 E - Estimated
 T - Trace, unmeasurable amount of rain

Data Revised: March 2011

PRECIPITATION

DAILY RAINFALL SUMMARY

634C Santa Monica

Gage Type: Standard 8 inch diameter (DPW)

Observation Time: 800

Latitude 34-00-43

Longitude: 118-29-27

Elevation: 94 Feet

Water Year from 10/01/2001 to 09/30/2002

Day	Oct	Nov	Dec	Jan	Feb	Mar	Apr	May	Jun	Jul	Aug	Sep
1												
2												
3			0.22	0.12								
4		0.03										
5												
6												
7						0.13						
8						0.01						
9												
10												
11		0.18										
12												
13		0.09										
14			0.10									
15							0.05					
16												
17					0.30	0.17						
18												
19												
20			0.02					0.10				
21			0.30									
22												
23						0.01						
24		0.79										
25												
26												
27				0.03								
28				0.25								
29		0.41	0.26									
30	0.07											
31	0.02		0.05									
Totals	0.09	1.50	0.95	0.40	0.30	0.32	0.05	0.10	0.00	0.00	0.00	0.00
												Water Year Total: 3.71

NOTE: All Values are in units of inches, unless otherwise specified.

LEGEND: A - Acculated Total
 E - Estimated
 T - Trace, unmeasurable amount of rain

Data Revised: March 2011

PRECIPITATION

DAILY RAINFALL SUMMARY

662D Long Beach Airport

Gage Type: Standard 8 inch diameter

Observation Time: 800

Latitude 33-49-00

Longitude: 118-09-00

Elevation: 34 Feet

Water Year from 10/01/2001 to 09/30/2002

Day	Oct	Nov	Dec	Jan	Feb	Mar	Apr	May	Jun	Jul	Aug	Sep
1												
2				T							T	
3		T	0.08	0.01								
4		0.01										
5												T
6						T	0.07					T
7						T			T			
8												
9			T									
10			T							T		
11		0.01								T		
12		0.36										
13		T										
14			0.02				T					
15							T					
16												
17					0.07	0.03						
18								T				
19								T	T			
20			0.02					0.09				
21			0.11						T			
22						T						
23						0.02						
24		0.53					0.01					
25												
26							0.06					
27				0.23								
28			T	0.01		T						T
29		0.11	0.32	T								
30	T		0.04									
31												
Totals	0.00	1.02	0.59	0.25	0.07	0.05	0.14	0.09	0.00	0.00	0.00	0.00
												Water Year Total: 2.21

NOTE: All Values are in units of inches, unless otherwise specified.

LEGEND: A - Acculated Total

E - Estimated

T - Trace, unmeasurable amount of rain

Data Revised: March 2011

PRECIPITATION

DAILY RAINFALL SUMMARY

680B Westwood (U.C.L.A.)

Gage Type: Standard 8 inch diameter

Observation Time: 800

Latitude 34-04-10

Longitude: 118-26-30

Elevation: 430 Feet

Water Year from 10/01/2001 to 09/30/2002

Day	Oct	Nov	Dec	Jan	Feb	Mar	Apr	May	Jun	Jul	Aug	Sep
1												
2												
3			0.46	0.11								
4		0.01										
5												T
6												0.03
7						0.09						
8												
9												
10			0.01									
11		0.17										
12												
13		0.32	0.13									
14												
15							0.10					
16				T								
17					0.31							
18						0.22						
19											T	
20								0.09			T	
21			0.55						0.01			
22												
23						T						
24		1.72					T					
25												
26												
27				0.65								
28				0.71								T
29		0.41	0.25			T						
30	0.08		0.03									
31	0.01		0.02									
Totals	0.09	2.63	1.45	1.47	0.31	0.31	0.10	0.09	0.01	0.00	0.00	0.03
										Water Year Total:		6.49

NOTE: All Values are in units of inches, unless otherwise specified.

LEGEND: A - Acculated Total

E - Estimated

T - Trace, unmeasurable amount of rain

Data Revised: March 2011

PRECIPITATION

DAILY RAINFALL SUMMARY

683B **Sunset Ridge**

Gage Type: Standard 8 inch diameter (DPW)

Observation Time: 800

Latitude 34-12-53

Longitude: 118-08-47

Elevation: 2110 Feet

Water Year from 10/01/2001 to 09/30/2002

Day	Oct	Nov	Dec	Jan	Feb	Mar	Apr	May	Jun	Jul	Aug	Sep
1				0.02								
2			0.04									
3			0.24	0.09								
4												
5												
6												
7						0.42	0.05					
8						0.02	0.02					
9									0.13			
10			0.13						0.02			
11		0.10	T									
12		0.03										
13		0.71										
14												
15			0.19				0.15					
16				0.24			0.01					
17					0.29							
18					0.10	0.44						
19								0.05			0.04	
20								0.23				
21			0.87					0.15	0.14			
22			0.02					0.01	0.06			
23						0.01						
24						0.06						
25		1.45				0.02	0.04					
26												
27												0.02
28				1.76			T					0.35
29		0.50	0.11			0.05	0.02					
30	T		0.12	0.02								
31	0.18		0.06									
Totals	0.18	2.79	1.78	2.13	0.39	1.02	0.29	0.44	0.35	0.00	0.04	0.37
										Water Year Total:		9.78

NOTE: All Values are in units of inches, unless otherwise specified.

LEGEND: A - Acculated Total

 E - Estimated

 T - Trace, unmeasurable amount of rain

Data Revised: March 2011

PRECIPITATION

DAILY RAINFALL SUMMARY

694G Big Tujunga Canyon-Cmp

Gage Type: Daily Automatic (DPW)

Observation Time: 2400

Latitude 34-17-22

Longitude: 118-17-17

Elevation: 1525 Feet

Water Year from 10/01/2001 to 09/30/2002

Day	Oct	Nov	Dec	Jan	Feb	Mar	Apr	May	Jun	Jul	Aug	Sep
1												
2			0.04									
3			0.12	0.10E								
4												
5												
6							0.04					
7												
8												
9												
10												
11		0.08										
12		0.68										
13												
14			0.08									
15												
16				0.44E								
17					0.12	0.08						
18						0.04						
19												
20			0.24					0.36				
21			0.04									
22												
23												
24		0.80										
25												
26												0.28
27												0.44
28				1.66E								
29		0.16	0.16	0.01E								
30	0.16		0.04									
31												
Totals	0.16	1.72	0.72	2.21	0.12	0.12	0.04	0.36	0.00	0.00	0.00	0.72
												Water Year Total: 6.17

NOTE: All Values are in units of inches, unless otherwise specified.

LEGEND: A - Acculated Total
 E - Estimated
 T - Trace, unmeasurable amount of rain

Data Revised: March 2011

PRECIPITATION

DAILY RAINFALL SUMMARY

695B Tujunga Canyon-Vogel Flat

Gage Type: Standard 8 inch diameter (DPW)

Observation Time: 800

Latitude 34-17-12

Longitude: 118-13-32

Elevation: 1850 Feet

Water Year from 10/01/2001 to 09/30/2002

Day	Oct	Nov	Dec	Jan	Feb	Mar	Apr	May	Jun	Jul	Aug	Sep
1												
2												
3			0.38									
4		T	0.04									T
5		0.01										
6							0.03					0.02
7						0.19						
8						0.14						
9												
10			0.21									
11		0.08										
12		0.02										
13		0.89										
14												
15			0.16				T					
16				0.50								
17					0.18							
18					0.16	0.31						
19								T				
20								0.11				
21			0.96					0.61				
22												
23						0.02						
24						0.05						
25		1.33					T					
26												
27												
28				2.28								
29		0.06				0.01						0.23
30	T	0.15										
31	0.19		0.31									
Totals	0.19	2.54	2.06	2.78	0.34	0.72	0.03	0.72	0.00	0.00	0.00	0.25
												Water Year Total: 9.63

NOTE: All Values are in units of inches, unless otherwise specified.

LEGEND: A - Acculated Total
 E - Estimated
 T - Trace, unmeasurable amount of rain

Data Revised: March 2011

PRECIPITATION

DAILY RAINFALL SUMMARY

716 Los Angeles-Ducommun St.

Gage Type: Standard 8 inch diameter

Observation Time: 800

Latitude 34-03-09

Longitude: 118-14-13

Elevation: 306 Feet

Water Year from 10/01/2001 to 09/30/2002

Day	Oct	Nov	Dec	Jan	Feb	Mar	Apr	May	Jun	Jul	Aug	Sep
1												
2												
3			0.23	0.15								
4												
5												
6												
7						0.22						
8												
9												
10			0.05									
11												
12		0.03										
13		0.41										
14												
15			0.21				0.06					
16												
17												
18					0.32	0.24						
19												
20												
21			0.83					0.04				
22			0.07									
23						0.05						
24												
25		1.09					0.04					
26												
27												
28				0.82								
29		0.21				0.01						0.02
30			0.27									
31	0.04		0.05									
Totals	0.04	1.74	1.71	0.97	0.32	0.52	0.10	0.04	0.00	0.00	0.00	0.02
												Water Year Total: 5.46

NOTE: All Values are in units of inches, unless otherwise specified.

LEGEND: A - Acculated Total
 E - Estimated
 T - Trace, unmeasurable amount of rain

Data Revised: March 2011

PRECIPITATION

DAILY RAINFALL SUMMARY

734C Los Angeles International Airport

Gage Type: Standard 8 inch diameter

Observation Time: 800

Latitude 33-56-25

Longitude: 118-23-44

Elevation: 105 Feet

Water Year from 10/01/2001 to 09/30/2002

Day	Oct	Nov	Dec	Jan	Feb	Mar	Apr	May	Jun	Jul	Aug	Sep
1												
2			0.10	0.10							T	
3			0.13	0.05								
4		0.03										
5												T
6						T	T					
7						0.11						
8							T					
9			T									
10		0.02										
11		0.04										
12		0.35										
13												
14			0.23									
15							0.02				T	
16				T								
17					0.35	0.11					T	
18								T			T	
19								T				
20			0.16					0.11			T	
21			0.21						0.05			
22						0.01						
23						0.03						
24		0.60					T					
25												
26							T					
27				0.49			T					
28			T	0.09		0.01						0.08
29		0.30	0.32									
30	0.04		0.10									
31												
Totals	0.04	1.34	1.25	0.73	0.35	0.27	0.02	0.11	0.05	0.00	0.00	0.08
										Water Year Total:		4.24

NOTE: All Values are in units of inches, unless otherwise specified.

LEGEND: A - Acculated Total
 E - Estimated
 T - Trace, unmeasurable amount of rain

Data Revised: March 2011

PRECIPITATION

DAILY RAINFALL SUMMARY

735H Bell Canyon

Gage Type: Daily Automatic (DPW)

Observation Time: 2400

Latitude 34-11-40

Longitude: 118-39-23

Elevation: 895 Feet

Water Year from 10/01/2001 to 09/30/2002

Day	Oct	Nov	Dec	Jan	Feb	Mar	Apr	May	Jun	Jul	Aug	Sep
1												
2			0.08									
3			0.08									
4												
5												
6				0.12		0.04						
7						0.08						
8												
9												
10												
11		0.16										0.32
12		0.40										
13												
14			0.04									
15												
16												
17					0.20	0.04						
18												
19												
20			0.28					0.08				
21			0.08									
22												
23												
24		0.72										
25												
26												
27				0.44								
28												
29		0.24	0.40	0.08								
30	0.08		0.04									
31												
Totals	0.08	1.52	1.00	0.64	0.20	0.16	0.00	0.08	0.00	0.00	0.00	0.32
												Water Year Total: 4.00

NOTE: All Values are in units of inches, unless otherwise specified.

LEGEND: A - Acculated Total
 E - Estimated
 T - Trace, unmeasurable amount of rain

Data Revised: March 2011

PRECIPITATION

DAILY RAINFALL SUMMARY

742C San Gabriel Fire Department

Gage Type: Standard 8 inch diameter

Observation Time: 800

Latitude 34-06-11

Longitude: 118-05-56

Elevation: 445 Feet

Water Year from 10/01/2001 to 09/30/2002

Day	Oct	Nov	Dec	Jan	Feb	Mar	Apr	May	Jun	Jul	Aug	Sep
1												
2			T									
3				0.07E								
4												
5												
6												
7						0.21E						
8												
9												
10												
11												
12												
13		0.50										
14			0.24									
15							0.05					
16				0.03E								
17					0.40E	0.26E						
18												
19												
20												
21			0.95					0.02				
22												
23												
24		2.08					0.05					
25												
26												
27				0.10								
28				1.12								0.18E
29		0.15										T
30	0.03		0.03									
31	T											
Totals	0.03	2.73	1.22	1.32	0.40	0.47	0.10	0.02	0.00	0.00	0.00	0.18
												Water Year Total: 6.47

NOTE: All Values are in units of inches, unless otherwise specified.

LEGEND: A - Acculated Total
 E - Estimated
 T - Trace, unmeasurable amount of rain

Data Revised: March 2011

PRECIPITATION

DAILY RAINFALL SUMMARY

749B **Burbank Valley Pump Plant**

Gage Type: Standard 8 inch diameter

Observation Time: 800

Latitude 34-11-11

Longitude: 118-20-54

Elevation: 655 Feet

Water Year from 10/01/2001 to 09/30/2002

Day	Oct	Nov	Dec	Jan	Feb	Mar	Apr	May	Jun	Jul	Aug	Sep
1		0.01										
2												
3			0.04									
4		T										
5							T					
6						0.30						
7												
8									0.01			
9												
10			0.21									
11		0.04										
12		0.03										
13		0.66										
14							T					
15			0.05									
16				0.15								
17					0.05	0.04						
18					0.06			0.02				
19								0.03				
20								0.31				
21			0.56						0.04			
22			0.05									
23												
24							T					
25		0.96					T					
26							T					
27												
28				0.85								0.12
29		T	0.01	0.02								
30		0.18	0.30									
31	0.14											
Totals	0.14	1.88	1.22	1.02	0.11	0.34	0.00	0.36	0.05	0.00	0.00	0.12
												Water Year Total: 5.24

NOTE: All Values are in units of inches, unless otherwise specified.

LEGEND: A - Acculated Total
 E - Estimated
 T - Trace, unmeasurable amount of rain

Data Revised: March 2011

PRECIPITATION

DAILY RAINFALL SUMMARY

750B Palmdale-F.A.A. Airport

Gage Type: Standard 8 inch diameter (DPW)

Observation Time: 800

Latitude 34-37-20

Longitude: 118-05-00

Elevation: 2528 Feet

Water Year from 10/01/2001 to 09/30/2002

Day	Oct	Nov	Dec	Jan	Feb	Mar	Apr	May	Jun	Jul	Aug	Sep
1												T
2												
3			T	T								
4			0.07									T
5												
6												T
7						T						
8												
9												
10			T									
11			T									
12												
13		0.24										
14												
15												
16												
17			0.06									
18						T						
19					0.13							
20								T				
21												
22												
23												
24		0.53					T					
25												
26												
27												
28				0.30								
29		T				T						
30												
31	0.18		0.36									
Totals	0.18	0.77	0.49	0.30	0.13	0.00	0.00	0.00	0.00	0.00	0.00	0.00
												Water Year Total: 1.87

NOTE: All Values are in units of inches, unless otherwise specified.

LEGEND: A - Acculated Total
 E - Estimated
 T - Trace, unmeasurable amount of rain

Data Revised: March 2011

PRECIPITATION

DAILY RAINFALL SUMMARY

794 Lower Franklin Reservoir

Gage Type: Standard 8 inch diameter

Observation Time: 800

Latitude 34-05-43

Longitude: 118-24-40

Elevation: 585 Feet

Water Year from 10/01/2001 to 09/30/2002

Day	Oct	Nov	Dec	Jan	Feb	Mar	Apr	May	Jun	Jul	Aug	Sep
1												
2												
3			0.35	0.16								
4		0.02										
5												
6												0.03
7						0.03						
8												
9												
10			0.13									
11		0.04										
12		0.08										
13		0.33										
14												
15			0.07				0.08					
16												
17					0.31						0.02	
18						0.11						
19												
20								0.09				
21			0.32						0.03			
22			0.02									
23												
24												
25		1.83										
26												
27												
28				1.26								
29		0.04	0.03									0.01
30		0.27	0.29									
31	0.09		0.05									
Totals	0.09	2.61	1.26	1.42	0.31	0.14	0.08	0.09	0.03	0.00	0.02	0.04
												Water Year Total: 6.09

NOTE: All Values are in units of inches, unless otherwise specified.

LEGEND: A - Acculated Total
 E - Estimated
 T - Trace, unmeasurable amount of rain

Data Revised: March 2011

PRECIPITATION

DAILY RAINFALL SUMMARY

795 Pasadena-Jourdan

Gage Type: Standard 8 inch diameter

Observation Time: 800

Latitude 34-08-52

Longitude: 118-05-14

Elevation: 705 Feet

Water Year from 10/01/2001 to 09/30/2002

Day	Oct	Nov	Dec	Jan	Feb	Mar	Apr	May	Jun	Jul	Aug	Sep
1												
2												
3			0.15	0.06								
4												
5		0.03										
6												
7						0.18						
8												
9									0.03			
10												
11		0.05										
12												
13		0.64										
14												
15							0.05					
16				0.40								
17					0.37							
18						0.20						
19								0.03			0.02	
20								0.18				
21			0.84									
22									0.02			
23						0.20						
24												
25		1.80				0.03	0.09					
26												
27							0.01					
28				1.43								
29			0.08			0.01						0.12
30		0.13										
31	0.05		0.02									
Totals	0.05	2.65	1.09	1.89	0.37	0.62	0.15	0.21	0.05	0.00	0.02	0.12
												Water Year Total: 7.22

NOTE: All Values are in units of inches, unless otherwise specified.

LEGEND: A - Acculated Total
 E - Estimated
 T - Trace, unmeasurable amount of rain

Data Revised: March 2011

PRECIPITATION

DAILY RAINFALL SUMMARY

797 De Soto Reservoir

Gage Type: Standard 8 inch diameter

Observation Time: 800

Latitude 34-16-17

Longitude: 118-35-12

Elevation: 1127 Feet

Water Year from 10/01/2001 to 09/30/2002

Day	Oct	Nov	Dec	Jan	Feb	Mar	Apr	May	Jun	Jul	Aug	Sep
1												
2			0.07	0.15								
3			0.22									
4												
5												
6						0.17	0.06					
7						0.30						
8												
9			0.02									
10												
11		0.30										
12		0.40										
13												
14			0.11									
15				0.01			0.07					
16				0.37								
17					0.27	0.09						
18												
19								0.02				
20			0.49					0.31				
21			0.09									
22												
23						0.04						
24		1.07				0.02						
25												
26												
27				1.05								
28												
29		0.43	0.35									0.14
30			0.05									
31	0.23											
Totals	0.23	2.20	1.40	1.58	0.27	0.62	0.13	0.33	0.00	0.00	0.00	0.14
												Water Year Total: 6.90

NOTE: All Values are in units of inches, unless otherwise specified.

LEGEND: A - Acculated Total
 E - Estimated
 T - Trace, unmeasurable amount of rain

Data Revised: March 2011

PRECIPITATION

DAILY RAINFALL SUMMARY

801B Magic Mountain

Gage Type: Standard 8 inch diameter (DPW)

Observation Time: 800

Latitude 34-23-18

Longitude: 118-19-27

Elevation: 4720 Feet

Water Year from 10/01/2001 to 09/30/2002

Day	Oct	Nov	Dec	Jan	Feb	Mar	Apr	May	Jun	Jul	Aug	Sep
1												0.04
2												
3			0.69	0.15								
4												
5												0.01
6							0.06					
7						0.28						
8												
9												
10			0.05									
11		0.30										
12		0.03										
13		0.91										
14			0.11									
15												
16												
17					0.55							
18						0.30						
19												
20								0.39				
21			0.66									
22												
23						0.13						
24		1.20										
25												
26												
27				1.10E								
28				1.70E								0.11
29		0.18	0.30									0.41
30	0.18		0.05									
31	0.03											
Totals	0.21	2.62	1.86	2.95	0.55	0.71	0.06	0.39	0.00	0.00	0.00	0.57
												Water Year Total: 9.92

NOTE: All Values are in units of inches, unless otherwise specified.

LEGEND: A - Acculated Total
 E - Estimated
 T - Trace, unmeasurable amount of rain

Data Revised: March 2011

PRECIPITATION

DAILY RAINFALL SUMMARY

802C Eagle Rock Reservoir

Gage Type: Standard 8 inch diameter

Observation Time: 800

Latitude 34-08-47

Longitude: 118-11-20

Elevation: 970 Feet

Water Year from 10/01/2001 to 09/30/2002

Day	Oct	Nov	Dec	Jan	Feb	Mar	Apr	May	Jun	Jul	Aug	Sep
1												
2												
3			0.21	0.05								
4												
5												
6												
7						0.21						
8												
9												
10			0.22									
11		0.03										
12		0.10										
13		0.57										
14												
15			0.07				0.10					
16				0.24								
17					0.34							
18						0.13						
19								0.05			0.01	
20								0.03			0.02	
21			0.80					0.09	0.08			
22			0.05									
23												
24												
25		1.57					0.04					
26												
27												
28				1.25								
29		0.12	0.05	0.03		0.04						0.19
30	A		0.16									
31	0.09A		0.04									
Totals	0.09	2.39	1.60	1.57	0.34	0.38	0.14	0.17	0.08	0.00	0.03	0.19
										Water Year Total:		6.98

NOTE: All Values are in units of inches, unless otherwise specified.

LEGEND: A - Acculated Total

E - Estimated

T - Trace, unmeasurable amount of rain

Data Revised: March 2011

PRECIPITATION

DAILY RAINFALL SUMMARY

807 Ascot Reservoir

Gage Type: Standard 8 inch diameter

Observation Time: 800

Latitude 34-04-46

Longitude: 118-11-14

Elevation: 620 Feet

Water Year from 10/01/2001 to 09/30/2002

Day	Oct	Nov	Dec	Jan	Feb	Mar	Apr	May	Jun	Jul	Aug	Sep
1												
2												
3			0.26	0.09								
4												
5		0.01										
6												
7						0.22						
8												
9												
10			0.19									
11												
12		0.12										
13		0.45										
14												
15			0.17				0.03					
16												
17					0.31							
18						0.28						
19								0.03				
20								0.14				
21			0.76						0.02			
22			0.03									
23						0.02						
24							0.02					
25		1.56										
26												
27												
28				1.13								0.03
29		0.16	0.05			0.02						
30			0.19									
31	0.07		0.06									
Totals	0.07	2.30	1.71	1.22	0.31	0.54	0.05	0.17	0.02	0.00	0.00	0.03
										Water Year Total:		6.42

NOTE: All Values are in units of inches, unless otherwise specified.

LEGEND: A - Acculated Total
 E - Estimated
 T - Trace, unmeasurable amount of rain

Data Revised: March 2011

PRECIPITATION

DAILY RAINFALL SUMMARY

1006 San Pedro-City Reservoir

Gage Type: Standard 8 inch diameter

Observation Time: 800

Latitude 33-44-37

Longitude: 118-17-47

Elevation: 150 Feet

Water Year from 10/01/2001 to 09/30/2002

Day	Oct	Nov	Dec	Jan	Feb	Mar	Apr	May	Jun	Jul	Aug	Sep
1												
2												
3			0.30	0.05								
4		0.01										
5		0.05										
6												
7						0.06						
8												
9												
10												
11		0.02										
12		0.07										
13		0.29										
14												
15			0.16				0.05					
16												
17					0.22							
18						0.15					0.02	
19												
20								0.02				
21			0.14					0.12				
22			0.13									
23						0.06						
24												
25		0.54					0.02					
26							0.01					
27												
28				0.28								
29			0.01	0.02								
30	0.01	0.65	0.41									
31			0.18									
Totals	0.01	1.63	1.33	0.35	0.22	0.27	0.08	0.14	0.00	0.00	0.02	0.00
											Water Year Total:	4.05

NOTE: All Values are in units of inches, unless otherwise specified.

LEGEND: A - Acculated Total
 E - Estimated
 T - Trace, unmeasurable amount of rain

Data Revised: March 2011

PRECIPITATION

DAILY RAINFALL SUMMARY

1011B Palos Verdes Fire Station

Gage Type: Standard 8 inch diameter (DPW)

Observation Time: 800

Latitude 33-45-25

Longitude: 118-21-11

Elevation: 1275 Feet

Water Year from 10/01/2001 to 09/30/2002

Day	Oct	Nov	Dec	Jan	Feb	Mar	Apr	May	Jun	Jul	Aug	Sep
1				0.03								
2												
3			0.20	0.10								
4		0.01										
5					0.36							
6						0.09	0.03					
7												
8												
9												
10												
11		0.07										
12		0.40										
13												
14												
15							0.10					
16						0.08						
17												
18												
19											0.11	0.10
20								0.42			0.04	
21			0.45									
22												
23						0.24						
24		0.65					0.01					
25												
26							0.08					
27				0.40								
28				0.10								
29		0.60	0.43									
30	0.03		0.24	0.07								
31	0.03											
Totals	0.06	1.73	1.32	0.70	0.36	0.41	0.22	0.42	0.00	0.00	0.15	0.10
												Water Year Total: 5.47

NOTE: All Values are in units of inches, unless otherwise specified.

LEGEND: A - Acculated Total
 E - Estimated
 T - Trace, unmeasurable amount of rain

Data Revised: March 2011

PRECIPITATION

DAILY RAINFALL SUMMARY

1012B Castaic Junction

Gage Type: Standard 8 inch diameter (DPW)

Observation Time: 800

Latitude 34-26-18

Longitude: 118-36-43

Elevation: 1005 Feet

Water Year from 10/01/2001 to 09/30/2002

Day	Oct	Nov	Dec	Jan	Feb	Mar	Apr	May	Jun	Jul	Aug	Sep
1												
2			0.10E									
3				0.13E								
4			0.08E									
5												
6						0.04						
7						0.04						
8												
9												
10												
11		0.04										
12		0.28										
13												
14			0.01E									
15												
16												
17					0.30E	0.08						
18												
19												
20												
21												
22												
23												
24		1.04										
25												
26			0.24E									
27				0.36								
28												
29		0.28	0.18E									
30	0.12		0.01E									
31			0.04E									
Totals	0.12	1.64	0.66	0.49	0.30	0.16	0.00	0.00	0.00	0.00	0.00	0.00
												Water Year Total: 3.37

NOTE: All Values are in units of inches, unless otherwise specified.

LEGEND: A - Acculated Total
 E - Estimated
 T - Trace, unmeasurable amount of rain

Data Revised: March 2011

PRECIPITATION

DAILY RAINFALL SUMMARY

1029C Tujunga-Mill Creek Summit ranger station

Gage Type: Standard recording gage (DPW)

Observation Time: 800

Latitude 34-23-22

Longitude: 118-04-49

Elevation: 4990 Feet

Water Year from 10/01/2001 to 09/30/2002

Day	Oct	Nov	Dec	Jan	Feb	Mar	Apr	May	Jun	Jul	Aug	Sep
1				A								
2				A								
3			0.35	1.07A								
4		0.02										
5		0.02										
6						0.12						
7						0.11						
8												
9												
10			0.31									
11		0.03										
12		0.01										
13		0.47										
14												
15												
16												
17												
18					0.04	0.28						
19												
20								0.19				
21								0.04				
22												
23						0.04						
24							0.08					
25		0.67										
26												
27												
28						0.04						
29		0.04	A									
30	T	0.15	A	1.28								
31	0.34		A									
Totals	0.34	1.41	0.66	2.35	0.04	0.59	0.08	0.23	0.00	0.00	0.00	0.00
												Water Year Total: 5.70

NOTE: All Values are in units of inches, unless otherwise specified.

LEGEND: A - Acculated Total
 E - Estimated
 T - Trace, unmeasurable amount of rain

Data Revised: March 2011

PRECIPITATION

DAILY RAINFALL SUMMARY

1037 Arcadia-Arboretum

Gage Type: Standard 8 inch diameter (DPW)

Observation Time: 800

Latitude 34-08-48

Longitude: 118-02-59

Elevation: 565 Feet

Water Year from 10/01/2001 to 09/30/2002

Day	Oct	Nov	Dec	Jan	Feb	Mar	Apr	May	Jun	Jul	Aug	Sep
1												T
2												
3			0.14	0.05								
4												
5		T										
6							0.02					
7						0.23						
8							T					
9												
10			T									
11												
12												
13		0.60										
14			0.26									
15							0.03					
16				0.45				T				
17						0.33						
18					0.37							
19												
20			0.02					0.21			0.01	
21			0.78						0.05			
22												
23						0.03						
24		1.31					0.11					
25		0.31				0.04						
26							0.02					
27												
28				1.50								
29		0.09	0.14	0.02		0.01						0.09
30	0.04	T										
31	0.02		0.02									
Totals	0.06	2.31	1.36	2.02	0.37	0.64	0.18	0.21	0.05	0.00	0.01	0.09
										Water Year Total:		7.30

NOTE: All Values are in units of inches, unless otherwise specified.

LEGEND: A - Acculated Total
 E - Estimated
 T - Trace, unmeasurable amount of rain

Data Revised: March 2011

PRECIPITATION

DAILY RAINFALL SUMMARY

1041B Santa Fe Dam

Gage Type: Standard 8 inch diameter (DPW)

Observation Time: 800

Latitude 34-07-04

Longitude: 117-58-24

Elevation: 427 Feet

Water Year from 10/01/2001 to 09/30/2002

Day	Oct	Nov	Dec	Jan	Feb	Mar	Apr	May	Jun	Jul	Aug	Sep
1												
2												
3			0.19	0.02								
4												
5												
6												
7						0.25						
8												
9												
10												
11		0.02										
12												
13		0.44										
14			0.44									
15							0.01					
16												
17					0.36							
18						0.25						
19												
20												
21			1.24									
22												
23						0.06						
24		2.30					0.10					
25		0.01										
26												
27				0.34			0.01					
28				0.88								0.01
29		0.09	0.12									
30			0.01	0.01								
31												
Totals	0.00	2.86	2.00	1.25	0.36	0.56	0.12	0.00	0.00	0.00	0.00	0.01
												Water Year Total: 7.16

NOTE: All Values are in units of inches, unless otherwise specified.

LEGEND: A - Acculated Total
 E - Estimated
 T - Trace, unmeasurable amount of rain

Data Revised: March 2011

PRECIPITATION

DAILY RAINFALL SUMMARY

1051B Canoga Park-Pierce College

Gage Type: Standard 8 inch diameter

Observation Time: 800

Latitude 34-10-51

Longitude: 118-34-23

Elevation: 800 Feet

Water Year from 10/01/2001 to 09/30/2002

Day	Oct	Nov	Dec	Jan	Feb	Mar	Apr	May	Jun	Jul	Aug	Sep
1												
2			0.02									
3			0.17	0.22								
4												
5												0.01
6												0.04
7						0.08						
8												
9												
10												
11		0.05										
12		0.03										
13		0.50										
14			0.90									
15												
16				0.02								
17					0.11							
18						0.04						
19												
20								0.13				
21			0.51									
22												
23												
24		0.87										
25												
26												
27				0.09								
28				0.39								
29		0.29	0.45									
30	0.13		0.02									
31	0.02		0.05									
Totals	0.15	1.74	2.12	0.72	0.11	0.12	0.00	0.13	0.00	0.00	0.00	0.05
												Water Year Total: 5.14

NOTE: All Values are in units of inches, unless otherwise specified.

LEGEND: A - Acculated Total
 E - Estimated
 T - Trace, unmeasurable amount of rain

Data Revised: March 2011

PRECIPITATION

DAILY RAINFALL SUMMARY

1058B Palmdale

Gage Type: Standard 8 inch diameter

Observation Time: 800

Latitude 34-35-17

Longitude: 118-05-31

Elevation: 2595 Feet

Water Year from 10/01/2001 to 09/30/2002

Day	Oct	Nov	Dec	Jan	Feb	Mar	Apr	May	Jun	Jul	Aug	Sep
1												
2				0.01								
3			T	0.08								
4			0.10									
5												
6												0.01
7						0.01						
8												
9			0.08									
10												
11												
12												
13		0.22										
14			0.07									
15												
16												
17					0.05							
18						0.13						
19												
20								0.02				
21			0.21									
22												
23												
24		0.52					0.04					
25		0.01										
26												
27												
28				0.40								
29			0.08	T								
30	0.10		0.02									
31	0.07											
Totals	0.17	0.75	0.56	0.49	0.05	0.14	0.04	0.02	0.00	0.00	0.00	0.01
												Water Year Total: 2.23

NOTE: All Values are in units of inches, unless otherwise specified.

LEGEND: A - Acculated Total
 E - Estimated
 T - Trace, unmeasurable amount of rain

Data Revised: March 2011

PRECIPITATION

DAILY RAINFALL SUMMARY

1070 Manhattan Beach

Gage Type: Standard 8 inch diameter (DPW)

Observation Time: 800

Latitude 33-53-00

Longitude: 118-23-19

Elevation: 182 Feet

Water Year from 10/01/2001 to 09/30/2002

Day	Oct	Nov	Dec	Jan	Feb	Mar	Apr	May	Jun	Jul	Aug	Sep
1												
2												
3			0.17	0.12								
4		0.05										
5												
6												
7						0.09						
8						0.04						
9												
10												
11		0.06										
12												
13		0.36										
14												
15			0.22									
16												
17					0.37							
18						0.05						
19												
20												
21			0.37					0.15				
22												
23						0.09						
24		0.41										
25												
26												
27												
28				0.52								
29		0.16	0.01	0.13								0.10
30		0.31	0.39									
31	0.05		0.14									
Totals	0.05	1.35	1.30	0.77	0.37	0.27	0.00	0.15	0.00	0.00	0.00	0.10
												Water Year Total: 4.36

NOTE: All Values are in units of inches, unless otherwise specified.

LEGEND: A - Acculated Total
 E - Estimated
 T - Trace, unmeasurable amount of rain

Data Revised: March 2011

PRECIPITATION

DAILY RAINFALL SUMMARY

1071B Descanso Gardens

Gage Type: Standard 8 inch diameter (DPW)

Observation Time: 800

Latitude 34-12-07

Longitude: 118-12-46

Elevation: 1325 Feet

Water Year from 10/01/2001 to 09/30/2002

Day	Oct	Nov	Dec	Jan	Feb	Mar	Apr	May	Jun	Jul	Aug	Sep
1												
2				0.02								
3			0.28	0.07								
4												
5												
6												
7						0.43						
8												
9									0.07			
10			0.76									
11		0.09	0.19									
12		0.02										
13		0.70										
14												
15							0.12					
16				0.08								
17					0.35							
18						0.26						
19								0.06				
20								0.38				
21			0.78						0.11			
22												
23												
24		1.35					0.07					
25		0.13										
26												
27				0.40								
28				1.11								
29		0.17	0.19									0.50
30	0.10		0.03									
31	0.05		0.05									
Totals	0.15	2.46	2.28	1.68	0.35	0.69	0.19	0.44	0.18	0.00	0.00	0.50
										Water Year Total:		8.92

NOTE: All Values are in units of inches, unless otherwise specified.

LEGEND: A - Acculated Total
 E - Estimated
 T - Trace, unmeasurable amount of rain

Data Revised: March 2011

PRECIPITATION

DAILY RAINFALL SUMMARY

1074 Little Gleason

Gage Type: Daily Automatic (DPW)

Observation Time: 2400

Latitude 34-22-43

Longitude: 118-08-57

Elevation: 5600 Feet

Water Year from 10/01/2001 to 09/30/2002

Day	Oct	Nov	Dec	Jan	Feb	Mar	Apr	May	Jun	Jul	Aug	Sep
1												
2			0.40									
3			0.28									
4			0.12									
5												0.04
6				0.16		0.32						
7						0.12						
8												
9												
10			0.16									
11		0.20										
12		0.60										
13												
14												
15			0.08									
16			0.04									
17					0.48							
18						0.40						
19												
20								0.56				
21			0.08									
22			0.44									
23						0.08						
24		1.08					0.08					
25												
26												
27				0.96								
28				0.04								0.04
29		0.16	0.24	0.08								0.12
30	0.28	0.04	0.04									
31	0.04											
Totals	0.32	2.08	1.88	1.24	0.48	0.92	0.08	0.56	0.00	0.00	0.00	0.20
												Water Year Total: 7.76

NOTE: All Values are in units of inches, unless otherwise specified.

LEGEND: A - Acculated Total
 E - Estimated
 T - Trace, unmeasurable amount of rain

Data Revised: March 2011

PRECIPITATION

DAILY RAINFALL SUMMARY

1076B Monte Cristo Ranger Station

Gage Type: Standard 8 inch diameter

Observation Time: 800

Latitude 34-19-42

Longitude: 118-07-20

Elevation: 3360 Feet

Water Year from 10/01/2001 to 09/30/2002

Day	Oct	Nov	Dec	Jan	Feb	Mar	Apr	May	Jun	Jul	Aug	Sep
1												
2												
3			0.21									
4		T	0.05									
5												
6							0.01					0.02
7						0.25	T					
8						0.04						
9												
10			0.10									
11		0.05										
12		0.04										
13		0.64		0.07								
14												
15			0.24									
16												
17				0.04	0.21							
18						0.31						
19												
20								0.01				
21								0.21				
22												
23						0.06						
24						0.07	0.05					
25		1.07										
26			0.62									
27							T					
28				1.25								
29		0.02				0.03						0.07
30		0.13	0.33	0.08								
31	0.23		0.05									
Totals	0.23	1.95	1.60	1.44	0.21	0.76	0.06	0.22	0.00	0.00	0.00	0.09
												Water Year Total: 6.56

NOTE: All Values are in units of inches, unless otherwise specified.

LEGEND: A - Acculated Total
 E - Estimated
 T - Trace, unmeasurable amount of rain

Data Revised: March 2011

PRECIPITATION

DAILY RAINFALL SUMMARY

1081B Glendale-Gregg

Gage Type: Standard 8 inch diameter

Observation Time: 800

Latitude 34-11-45

Longitude: 118-14-30

Elevation: 1350 Feet

Water Year from 10/01/2001 to 09/30/2002

Day	Oct	Nov	Dec	Jan	Feb	Mar	Apr	May	Jun	Jul	Aug	Sep
1												T
2												
3			0.39	0.07								
4		T										
5												
6							0.05					T
7						0.43						T
8						0.06						
9									0.06			
10			0.81									
11		0.20										
12		T										
13		0.71										
14			0.14									
15							0.08					
16				0.08								
17					0.46	T						
18						0.30						
19								0.05			0.03	
20			0.01					0.44			T	
21			0.61					0.02	0.05			
22												
23						T						
24		1.30				T	0.04					
25		0.23										
26							T					
27				0.63								
28	T			1.01		T						0.14
29		0.13	0.24									0.29
30	0.09		0.05									T
31	0.01		0.01									
Totals	0.10	2.57	2.26	1.79	0.46	0.79	0.17	0.51	0.11	0.00	0.03	0.43
												Water Year Total: 9.22

NOTE: All Values are in units of inches, unless otherwise specified.

LEGEND: A - Acculated Total

E - Estimated

T - Trace, unmeasurable amount of rain

Data Revised: March 2011

PRECIPITATION

DAILY RAINFALL SUMMARY

1087 Green-Verdugo Pumping Plant

Gage Type: Standard 8 inch diameter (DPW)

Observation Time: 800

Latitude 34-15-25

Longitude: 118-20-11

Elevation: 1340 Feet

Water Year from 10/01/2001 to 09/30/2002

Day	Oct	Nov	Dec	Jan	Feb	Mar	Apr	May	Jun	Jul	Aug	Sep
1												
2												
3			0.16	0.12								
4		0.01										
5												
6							0.03					0.03
7						0.15	0.02					
8						0.02						
9									0.04			
10			0.12									
11		0.08										
12		0.02										
13		0.62										
14												
15			0.12				0.04					
16				0.15			0.01					
17					0.18							
18					0.03	0.50						
19								0.03				
20								0.03				
21			0.41					0.10	0.03			
22			0.02						0.01			
23												
24												
25		1.14										
26												
27												
28				1.32								
29		0.07	0.12	0.03								0.27
30	0.22	0.10	0.12									
31			0.17									
Totals	0.22	2.04	1.24	1.62	0.21	0.67	0.10	0.16	0.08	0.00	0.00	0.30
												Water Year Total: 6.64

NOTE: All Values are in units of inches, unless otherwise specified.

LEGEND: A - Acculated Total
 E - Estimated
 T - Trace, unmeasurable amount of rain

Data Revised: March 2011

PRECIPITATION

DAILY RAINFALL SUMMARY

1088B La Habra Heights-Mutual Water Co.

Gage Type: Standard 8 inch diameter (DPW)

Observation Time: 800

Latitude 33-56-55

Longitude: 117-57-51

Elevation: 445 Feet

Water Year from 10/01/2001 to 09/30/2002

Day	Oct	Nov	Dec	Jan	Feb	Mar	Apr	May	Jun	Jul	Aug	Sep
1				0.01								
2												
3			0.31	0.05								
4												
5												
6												
7						0.03						
8												
9												
10												
11		0.04										
12												
13		0.30										
14			0.53									
15			0.02				0.13					
16												
17						0.35						
18												
19					0.23							
20								0.21			0.03	
21			0.25									
22												
23						0.17						
24			0.01			0.05						
25		0.64					0.09					
26							0.03					
27												
28				0.57								
29			0.03	0.50								
30		0.19	0.19									
31	0.01		0.09									
Totals	0.01	1.17	1.43	1.13	0.23	0.60	0.25	0.21	0.00	0.00	0.03	0.00
												Water Year Total: 5.06

NOTE: All Values are in units of inches, unless otherwise specified.

LEGEND: A - Acculated Total
 E - Estimated
 T - Trace, unmeasurable amount of rain

Data Revised: March 2011

PRECIPITATION

DAILY RAINFALL SUMMARY

1095 Orange County Reservoir

Gage Type: Standard 8 inch diameter

Observation Time: 800

Latitude 33-56-07

Longitude: 117-52-58

Elevation: 660 Feet

Water Year from 10/01/2001 to 09/30/2002

Day	Oct	Nov	Dec	Jan	Feb	Mar	Apr	May	Jun	Jul	Aug	Sep
1												
2												
3			0.25	0.03								
4		0.01										
5												
6												
7						0.13						
8						0.04						
9												
10										0.01		
11												
12												
13		0.36										
14			0.38									
15			0.02				0.12					
16												
17					0.24							
18						0.21						
19												
20											0.01	
21			0.47									
22												
23						0.11						
24		0.93					0.06					
25		0.01										
26							0.08					
27				0.65								
28				0.08								
29		0.14	0.17	0.01		0.01						
30			0.07									
31	0.02		0.01									
Totals	0.02	1.45	1.37	0.77	0.24	0.50	0.26	0.00	0.00	0.01	0.01	0.00
										Water Year Total:		4.63

NOTE: All Values are in units of inches, unless otherwise specified.

LEGEND: A - Acculated Total
 E - Estimated
 T - Trace, unmeasurable amount of rain

Data Revised: March 2011

PRECIPITATION

DAILY RAINFALL SUMMARY

1107D La Tuna Debris Basin

Gage Type: Daily Automatic (DPW)

Observation Time: 2400

Latitude 34-14-13

Longitude: 118-19-37

Elevation: 1160 Feet

Water Year from 10/01/2001 to 09/30/2002

Day	Oct	Nov	Dec	Jan	Feb	Mar	Apr	May	Jun	Jul	Aug	Sep
1												
2			0.04									
3			0.12									
4												0.35
5												
6				0.08		0.08						
7						0.04						
8												
9			0.16									
10			0.04									
11		0.08										
12		0.76										
13												
14			0.04				0.04					
15												
16												
17					0.16	0.08						
18						0.04						
19												
20			0.68					0.28				
21			0.08									
22												
23												
24		0.84	0.04									
25												
26												
27				1.40								
28				0.04								0.12
29		0.08	0.20									0.16
30	0.16		0.04									
31												
Totals	0.16	1.76	1.44	1.52	0.16	0.24	0.04	0.28	0.00	0.00	0.00	0.63
												Water Year Total: 6.23

NOTE: All Values are in units of inches, unless otherwise specified.

LEGEND: A - Acculated Total
 E - Estimated
 T - Trace, unmeasurable amount of rain

Data Revised: March 2011

PRECIPITATION

DAILY RAINFALL SUMMARY

1113 Dominguez Water Co.

Gage Type: Daily Automatic (DPW)

Observation Time: 2400

Latitude 33-49-54

Longitude: 118-13-30

Elevation: 30 Feet

Water Year from 10/01/2001 to 09/30/2002

Day	Oct	Nov	Dec	Jan	Feb	Mar	Apr	May	Jun	Jul	Aug	Sep
1												
2			0.08									
3			0.12									
4		0.04										
5												
6				0.04								
7												
8												
9												
10												
11												
12		0.32										
13											0.12	
14			0.04									
15			0.04				0.04					
16												
17					0.16	0.04						
18												
19												
20								0.16				
21			0.16					0.04				
22												
23						0.04						
24		0.52										
25												
26												
27				0.28								
28				0.04								
29		0.24	0.20									
30			0.08									
31			0.04									
Totals	0.00	1.12	0.76	0.36	0.16	0.08	0.04	0.20	0.00	0.00	0.12	0.00
												Water Year Total: 2.84

NOTE: All Values are in units of inches, unless otherwise specified.

LEGEND: A - Acculated Total
 E - Estimated
 T - Trace, unmeasurable amount of rain

Data Revised: March 2011

PRECIPITATION

DAILY RAINFALL SUMMARY

1114B Whittier Narrows Dam

Gage Type: Standard 8 inch diameter

Observation Time: 800

Latitude 34-01-29

Longitude: 118-05-02

Elevation: 239 Feet

Water Year from 10/01/2001 to 09/30/2002

Day	Oct	Nov	Dec	Jan	Feb	Mar	Apr	May	Jun	Jul	Aug	Sep
1												
2												
3			0.29	0.07								
4												
5												
6												
7						0.07						
8												
9												
10			0.30									
11		0.03										
12												
13		0.31										
14			0.43									
15			0.01				0.07					
16												
17					0.33							
18						0.25						
19												
20								0.08				
21			0.49									
22												
23						0.03						
24		0.89					0.06					
25												
26												
27				0.13								
28				0.32								
29		0.15	0.24	0.03								
30	0.01		0.05									
31			0.01									
Totals	0.01	1.38	1.82	0.55	0.33	0.35	0.13	0.08	0.00	0.00	0.00	0.00
												Water Year Total: 4.65

NOTE: All Values are in units of inches, unless otherwise specified.

LEGEND: A - Acculated Total
 E - Estimated
 T - Trace, unmeasurable amount of rain

Data Revised: March 2011

PRECIPITATION

DAILY RAINFALL SUMMARY

1115 San Antonio Dam

Gage Type: Standard 8 inch diameter

Observation Time: 800

Latitude 34-09-24

Longitude: 117-40-20

Elevation: 2120 Feet

Water Year from 10/01/2001 to 09/30/2002

Day	Oct	Nov	Dec	Jan	Feb	Mar	Apr	May	Jun	Jul	Aug	Sep
1												
2			0.01									
3			0.29	0.02								
4												
5												0.02
6							0.03					
7						0.21						
8						0.14						
9												
10												
11		0.01										
12		0.37										
13												
14			0.38									
15							0.03					
16												
17					0.43							
18						0.74						
19												
20			0.58					0.34				
21			0.44									
22												
23						0.05						
24		1.65				0.07	0.12					
25												
26							0.51					
27				2.31			0.02					
28				0.11		0.04						
29		0.04	0.13									
30	0.02		0.01									
31	0.01											
Totals	0.03	2.07	1.84	2.44	0.43	1.25	0.71	0.34	0.00	0.00	0.00	0.02
												Water Year Total: 9.13

NOTE: All Values are in units of inches, unless otherwise specified.

LEGEND: A - Acculated Total
 E - Estimated
 T - Trace, unmeasurable amount of rain

Data Revised: March 2011

PRECIPITATION

DAILY RAINFALL SUMMARY

1126A Los Angeles-East Valley

Gage Type: 8.81 inch diameter (DPW)

Observation Time: 800

Latitude 34-12-30

Longitude: 118-24-35

Elevation: 780 Feet

Water Year from 10/01/2001 to 09/30/2002

Day	Oct	Nov	Dec	Jan	Feb	Mar	Apr	May	Jun	Jul	Aug	Sep
1												
2			0.02									
3			0.12	0.13								
4												
5												0.05
6						0.07	0.03					
7						0.07						
8												
9									0.02			
10												
11		0.03										
12		0.43										
13		0.01										
14			0.08									
15				0.02			0.06					
16				0.01								
17					0.24	0.04						
18												
19								0.02				
20			0.32					0.13				
21			0.11						0.01			
22												
23												
24		1.04										
25												
26												
27				0.77								
28				0.04								
29		0.14	0.26									0.04
30	A		0.02									
31	0.15A		0.01									
Totals	0.15	1.65	0.94	0.97	0.24	0.18	0.09	0.15	0.03	0.00	0.00	0.09
												Water Year Total: 4.49

NOTE: All Values are in units of inches, unless otherwise specified.

LEGEND: A - Acculated Total
 E - Estimated
 T - Trace, unmeasurable amount of rain

Data Revised: March 2011

PRECIPITATION

DAILY RAINFALL SUMMARY

1129B Nicholas Canyon

Gage Type: Standard 8 inch diameter (DPW)

Observation Time: 800

Latitude 34-02-52

Longitude: 118-54-57

Elevation: 340 Feet

Water Year from 10/01/2001 to 09/30/2002

Day	Oct	Nov	Dec	Jan	Feb	Mar	Apr	May	Jun	Jul	Aug	Sep
1							0.04					
2												
3			0.11	0.24			0.02					
4		0.01										
5												0.01
6												
7						0.19						
8												
9												
10												
11		0.38										
12		0.68										
13		0.01										
14			0.16									
15							0.08				0.01	
16											0.01	
17					0.65	0.01					0.02	
18						0.31				0.01	0.04	
19												
20								0.24				
21			0.54									
22												
23			0.01									
24		0.72										
25												
26							0.01					
27				0.85								
28				0.23								0.05
29		0.81	0.43	0.04								
30	0.15		0.14									
31			0.02									
Totals	0.15	2.61	1.41	1.36	0.65	0.51	0.15	0.24	0.00	0.01	0.08	0.06
										Water Year Total:		7.23

NOTE: All Values are in units of inches, unless otherwise specified.

LEGEND: A - Acculated Total
 E - Estimated
 T - Trace, unmeasurable amount of rain

Data Revised: March 2011

PRECIPITATION

DAILY RAINFALL SUMMARY

1158 Torrance Municipal Airport

Gage Type: Standard 8 inch diameter (DPW)

Observation Time: 800

Latitude 33-47-59

Longitude: 118-20-08

Elevation: 102 Feet

Water Year from 10/01/2001 to 09/30/2002

Day	Oct	Nov	Dec	Jan	Feb	Mar	Apr	May	Jun	Jul	Aug	Sep
1												
2												
3			0.12	0.05								
4		0.03										
5												
6							0.02					
7						0.02						
8												
9												
10												
11		0.06										
12												
13		0.56										
14			0.05									
15							0.02					
16												
17					0.33							
18					T	0.08						
19												
20								0.10				
21			0.34									
22												
23						0.04						
24		0.80										
25		0.01										
26							0.05					
27				0.04								
28				0.54								
29		0.42	0.28	0.22		T						
30	0.02	T	0.12									
31			0.17									
Totals	0.02	1.88	1.08	0.85	0.33	0.14	0.09	0.10	0.00	0.00	0.00	0.00
												Water Year Total: 4.49

NOTE: All Values are in units of inches, unless otherwise specified.

LEGEND: A - Acculated Total
 E - Estimated
 T - Trace, unmeasurable amount of rain

Data Revised: March 2011

PRECIPITATION

DAILY RAINFALL SUMMARY

1166B Mile High Ranch

Gage Type: Standard 8 inch diameter (DPW)

Observation Time: 800

Latitude 34-24-40

Longitude: 117-46-15

Elevation: 5280 Feet

Water Year from 10/01/2001 to 09/30/2002

Day	Oct	Nov	Dec	Jan	Feb	Mar	Apr	May	Jun	Jul	Aug	Sep
1												
2												
3												
4			0.17									
5												
6												
7												
8												
9												
10												
11												
12		0.45										
13												
14												
15												
16												
17						0.27						
18												
19												
20												
21			0.26					0.18E				
22												
23												
24		0.40										
25												
26												
27												
28				0.56								
29						0.16						
30				0.05								
31	0.36											
Totals	0.36	0.85	0.43	0.61	0.00	0.43	0.00	0.18	0.00	0.00	0.00	0.00
												Water Year Total: 2.86

NOTE: All Values are in units of inches, unless otherwise specified.

LEGEND: A - Acculated Total
 E - Estimated
 T - Trace, unmeasurable amount of rain

Data Revised: March 2011

PRECIPITATION

DAILY RAINFALL SUMMARY

1191 **Bear Divide**

Gage Type: Standard 8 inch diameter (DPW)

Observation Time: 800

Latitude 34-21-35

Longitude: 118-23-37

Elevation: 2700 Feet

Water Year from 10/01/2001 to 09/30/2002

Day	Oct	Nov	Dec	Jan	Feb	Mar	Apr	May	Jun	Jul	Aug	Sep
1												
2												
3			0.52	0.14								
4												
5												
6												0.04
7						0.85						
8						0.02						
9												
10			0.16									
11		0.24										
12		0.21										
13		0.88										
14												
15			0.18				0.06					
16				0.04								
17						A						
18					0.88A	0.40						
19												
20								0.81				
21			0.95									
22												
23						0.07						
24						0.02						
25		1.21										
26												
27												
28			0.40	1.80								
29		0.19										0.49
30	0.01	0.25										
31	0.22											
Totals	0.23	2.98	2.21	1.98	0.88	1.36	0.06	0.81	0.00	0.00	0.00	0.53
												Water Year Total: 11.04

NOTE: All Values are in units of inches, unless otherwise specified.

LEGEND: A - Acculated Total

 E - Estimated

 T - Trace, unmeasurable amount of rain

Data Revised: March 2011

PRECIPITATION

DAILY RAINFALL SUMMARY

1194 Santa Ynez Reservoir

Gage Type: Standard 8 inch diameter (DPW)

Observation Time: 800

Latitude 34-04-23

Longitude: 118-33-59

Elevation: 735 Feet

Water Year from 10/01/2001 to 09/30/2002

Day	Oct	Nov	Dec	Jan	Feb	Mar	Apr	May	Jun	Jul	Aug	Sep
1												
2												
3			0.45	0.40								
4		0.08		0.12								
5												0.02
6												
7						0.27						
8												
9												
10												
11		0.08										
12		0.18										
13		0.34										
14												
15			0.15				0.11					
16												
17					0.73							
18					0.21	0.77						
19											0.03	
20								0.55				
21			0.63						0.01			
22			0.05									
23						0.01						
24												
25		2.26										
26												
27												
28				1.71								0.01
29		0.46	0.31	0.01		0.01						
30	A	0.18	0.02									0.01
31	0.27A		0.16									
Totals	0.27	3.58	1.77	2.24	0.94	1.06	0.11	0.55	0.01	0.00	0.03	0.04
										Water Year Total:		10.60

NOTE: All Values are in units of inches, unless otherwise specified.

LEGEND: A - Acculated Total
 E - Estimated
 T - Trace, unmeasurable amount of rain

Data Revised: March 2011

PRECIPITATION

DAILY RAINFALL SUMMARY

1212 Lancaster FSS/FAA

Gage Type: Standard 8 inch diameter

Observation Time: 800

Latitude 34-44-00

Longitude: 118-13-00

Elevation: 2340 Feet

Water Year from 10/01/2001 to 09/30/2002

Day	Oct	Nov	Dec	Jan	Feb	Mar	Apr	May	Jun	Jul	Aug	Sep
1			T	T								
2			T	0.01								
3			0.10									
4		T	0.03									T
5												0.01
6						T						
7					T	0.12						
8												
9												
10												
11												
12		0.34										
13												
14			0.02									
15							T					
16												
17					0.06	0.02						
18						T						
19												
20			0.01					0.02				
21			0.13	T								
22												
23						0.15						
24		0.24					T					
25												
26							T					
27				0.14								
28			0.01	0.05	T	0.01						
29		0.02	0.30									
30	0.24		0.03									
31												
Totals	0.24	0.60	0.63	0.20	0.06	0.30	0.00	0.02	0.00	0.00	0.00	0.01
												Water Year Total: 2.06

NOTE: All Values are in units of inches, unless otherwise specified.

LEGEND: A - Acculated Total
 E - Estimated
 T - Trace, unmeasurable amount of rain

Data Revised: March 2011

PRECIPITATION

DAILY RAINFALL SUMMARY

1216 Rancho Palos Verdes

Gage Type: Standard 8 inch diameter (DPW)

Observation Time: 800

Latitude 33-45-10

Longitude: 118-23-32

Elevation: 780 Feet

Water Year from 10/01/2001 to 09/30/2002

Day	Oct	Nov	Dec	Jan	Feb	Mar	Apr	May	Jun	Jul	Aug	Sep
1				0.03								
2			0.08									
3		0.02										
4		0.01										
5							0.01					
6												
7												
8												
9												
10		0.08										
11		0.03										
12		0.72										
13												
14							0.06					
15												
16					0.17							
17					0.01	0.03						
18								0.25				
19								0.04			0.02	
20			0.20					0.35	0.04			
21												
22						0.07						
23												
24		0.37										
25							0.17					
26												
27				0.36								
28		0.01	0.02	0.02								0.01
29		0.32	0.45	0.03								
30	0.04		0.17									
31												
Totals	0.04	1.56	0.92	0.44	0.18	0.10	0.24	0.64	0.04	0.00	0.02	0.01
												Water Year Total: 4.19

NOTE: All Values are in units of inches, unless otherwise specified.

LEGEND: A - Acculated Total
 E - Estimated
 T - Trace, unmeasurable amount of rain

Data Revised: March 2011

PRECIPITATION

DAILY RAINFALL SUMMARY

1217 Los Angeles Country Club

Gage Type: Standard 8 inch diameter (DPW)

Observation Time: 800

Latitude 34-04-10

Longitude: 118-25-17

Elevation: 380 Feet

Water Year from 10/01/2001 to 09/30/2002

Day	Oct	Nov	Dec	Jan	Feb	Mar	Apr	May	Jun	Jul	Aug	Sep
1												
2												
3			0.50	0.10								
4												
5												
6												0.10
7						0.15						
8												
9												
10												
11												
12		0.20										
13		0.36										
14												
15			0.14				0.04					
16				0.02	0.17							
17					0.15							
18						0.27						
19												
20												
21			0.50						0.01			
22			0.09									
23						0.01						
24												
25		1.56										
26												
27												
28				1.18								
29				0.02								
30		0.38	0.27									
31	0.23		0.05									
Totals	0.23	2.50	1.55	1.32	0.32	0.43	0.04	0.00	0.01	0.00	0.00	0.10
												Water Year Total: 6.50

NOTE: All Values are in units of inches, unless otherwise specified.

LEGEND: A - Acculated Total
 E - Estimated
 T - Trace, unmeasurable amount of rain

Data Revised: March 2011

PRECIPITATION

DAILY RAINFALL SUMMARY

1222 Northridge-Garland

Gage Type: 8.81 inch diameter (DPW)

Observation Time: 800

Latitude 34-14-17

Longitude: 118-30-59

Elevation: 911 Feet

Water Year from 10/01/2001 to 09/30/2002

Day	Oct	Nov	Dec	Jan	Feb	Mar	Apr	May	Jun	Jul	Aug	Sep
1												
2												
3			0.20	0.20								
4		0.02										
5												
6						0.17	0.04					0.02
7												
8												
9			0.03									
10												
11		0.12										
12		0.48										
13												
14			0.17									
15												
16				0.41			0.06					
17					0.27	0.10						
18											0.02	
19											0.01	
20			0.02				0.07					
21			0.62									
22												
23												
24		1.02										
25												
26												
27				0.95								
28				0.23								
29		0.43	0.39									
30	0.18		0.06									
31												
Totals	0.18	2.07	1.49	1.79	0.27	0.27	0.10	0.07	0.00	0.00	0.03	0.02
												Water Year Total: 6.29

NOTE: All Values are in units of inches, unless otherwise specified.

LEGEND: A - Acculated Total
 E - Estimated
 T - Trace, unmeasurable amount of rain

Data Revised: March 2011

PRECIPITATION

DAILY RAINFALL SUMMARY

1223 Woodland Hills-Sherman

Gage Type: 8.81 inch diameter (DPW)

Observation Time: 800

Latitude 34-10-06

Longitude: 118-38-57

Elevation: 1035 Feet

Water Year from 10/01/2001 to 09/30/2002

Day	Oct	Nov	Dec	Jan	Feb	Mar	Apr	May	Jun	Jul	Aug	Sep
1												
2			T									
3			0.15	0.24								
4		0.03										
5												A
6						0.01						0.02A
7						0.07						
8												
9												
10			T									
11		0.10										
12		0.43										
13		0.11										
14			0.07									
15							0.03					
16				0.01								
17					0.20							
18						0.06						
19												
20			0.01					0.14				
21			0.50									
22												
23			0.02									
24		0.91										
25												
26							T	T				
27				0.20								
28			T	0.39								T
29		0.30	0.49	0.01								
30	0.15		0.07									
31			0.02									
Totals	0.15	1.88	1.33	0.85	0.20	0.14	0.03	0.14	0.00	0.00	0.00	0.02
												Water Year Total: 4.74

NOTE: All Values are in units of inches, unless otherwise specified.

LEGEND: A - Acculated Total
 E - Estimated
 T - Trace, unmeasurable amount of rain

Data Revised: March 2011

PRECIPITATION

DAILY RAINFALL SUMMARY

1240 Pearblossom-Calif.D.W.R. Booster Sta.

Gage Type: Standard 8 inch diameter

Observation Time: 800

Latitude 34-30-32

Longitude: 117-55-15

Elevation: 3050 Feet

Water Year from 10/01/2001 to 09/30/2002

Day	Oct	Nov	Dec	Jan	Feb	Mar	Apr	May	Jun	Jul	Aug	Sep
1												
2												
3												
4			0.15	0.07								
5												
6												
7						0.03						
8												
9												
10			T									
11			T									
12												
13		0.28										
14												
15			0.10									
16			T									
17					T							
18						0.06						
19						T						
20												
21			0.15					T				
22			T									
23												
24												
25		0.32					0.12					
26												
27												
28				0.33								
29			0.11			0.05						
30		T	0.12									
31	0.22		0.02									
Totals	0.22	0.60	0.65	0.40	0.00	0.14	0.12	0.00	0.00	0.00	0.00	0.00
												Water Year Total: 2.13

NOTE: All Values are in units of inches, unless otherwise specified.

LEGEND: A - Acculated Total
 E - Estimated
 T - Trace, unmeasurable amount of rain

Data Revised: March 2011

PRECIPITATION

DAILY RAINFALL SUMMARY

1243 Redman

Gage Type: Daily Automatic (DPW)

Observation Time: 2400

Latitude 34-45-52

Longitude: 117-55-30

Elevation: 2360 Feet

Water Year from 10/01/2001 to 09/30/2002

Day	Oct	Nov	Dec	Jan	Feb	Mar	Apr	May	Jun	Jul	Aug	Sep
1												
2												
3												
4												
5			0.04									
6												
7												
8												
9												
10												
11												
12		0.31	0.04									
13												
14												
15												
16												
17												
18												
19												
20												
21			0.31									
22												
23												
24		0.24					0.04					
25												
26												
27				0.16								
28												
29			0.24									
30	0.17E											
31			0.04									
Totals	0.17	0.55	0.67	0.16	0.00	0.00	0.04	0.00	0.00	0.00	0.00	0.00
	Water Year Total:											1.59

NOTE: All Values are in units of inches, unless otherwise specified.

LEGEND: A - Acculated Total
 E - Estimated
 T - Trace, unmeasurable amount of rain

Data Revised: March 2011

PRECIPITATION

DAILY RAINFALL SUMMARY

1244 Lancaster-Roper

Gage Type: Daily Automatic (DPW)

Observation Time: 2400

Latitude 34-40-27

Longitude: 118-00-37

Elevation: 2450 Feet

Water Year from 10/01/2001 to 09/30/2002

Day	Oct	Nov	Dec	Jan	Feb	Mar	Apr	May	Jun	Jul	Aug	Sep
1												
2												
3												
4												
5												
6												
7												
8												
9												
10												
11												
12		0.36										
13												
14			0.04									
15												
16												
17												
18												
19												
20			0.16					0.12				
21			0.04					1.00				
22												
23												
24		0.28										
25												
26												
27				0.12								
28						0.23						
29			0.28									
30												
31	0.18E											
Totals	0.18	0.64	0.52	0.12	0.00	0.23	0.00	1.12	0.00	0.00	0.00	0.00
												Water Year Total: 2.81

NOTE: All Values are in units of inches, unless otherwise specified.

LEGEND: A - Acculated Total
 E - Estimated
 T - Trace, unmeasurable amount of rain

Data Revised: March 2011

PRECIPITATION

DAILY RAINFALL SUMMARY

1247 North Lancaster

Gage Type: Daily Automatic (DPW)

Observation Time: 2400

Latitude 34-45-41

Longitude: 118-07-30

Elevation: 2310 Feet

Water Year from 10/01/2001 to 09/30/2002

Day	Oct	Nov	Dec	Jan	Feb	Mar	Apr	May	Jun	Jul	Aug	Sep
1												
2												
3												
4			0.04									
5												
6												
7						0.04						
8												
9												
10												
11												
12		0.40										
13												
14		0.04										
15												
16												
17												
18												
19												
20			0.12					0.04				
21			0.04									
22												
23						0.04						
24		0.20										
25												
26												
27				0.20								
28				0.04								
29			0.24									
30	0.32											
31	0.12											
Totals	0.44	0.64	0.44	0.24	0.00	0.08	0.00	0.04	0.00	0.00	0.00	0.00
												Water Year Total: 1.88

NOTE: All Values are in units of inches, unless otherwise specified.

LEGEND: A - Acculated Total
 E - Estimated
 T - Trace, unmeasurable amount of rain

Data Revised: March 2011

PRECIPITATION

DAILY RAINFALL SUMMARY

1249 Relay

Gage Type: Daily Automatic (DPW)

Observation Time: 2400

Latitude 34-45-43

Longitude: 117-47-55

Elevation: 3140 Feet

Water Year from 10/01/2001 to 09/30/2002

Day	Oct	Nov	Dec	Jan	Feb	Mar	Apr	May	Jun	Jul	Aug	Sep
1												
2												
3												
4												
5												
6												
7												
8												
9												
10												
11												
12		0.31										
13												
14												
15												
16												
17												
18												
19												
20			0.04									
21			0.12									
22												
23												
24		0.28					0.16					
25												
26												
27				0.12E								
28						0.08						
29			0.48									
30	0.20											
31	0.04		0.04									
Totals	0.24	0.59	0.68	0.12	0.00	0.08	0.16	0.00	0.00	0.00	0.00	0.00
												Water Year Total: 1.87

NOTE: All Values are in units of inches, unless otherwise specified.

LEGEND: A - Acculated Total
 E - Estimated
 T - Trace, unmeasurable amount of rain

Data Revised: March 2011

PRECIPITATION

DAILY RAINFALL SUMMARY

1250 Avek

Gage Type: Daily Automatic (DPW)

Observation Time: 2400

Latitude 34-32-21

Longitude: 117-55-23

Elevation: 2825 Feet

Water Year from 10/01/2001 to 09/30/2002

Day	Oct	Nov	Dec	Jan	Feb	Mar	Apr	May	Jun	Jul	Aug	Sep
1												
2												
3			0.12									
4			0.04									
5												
6												
7												
8												
9												
10												
11												
12		0.23										
13												
14												
15												
16												
17												
18												
19												
20			0.04									
21			0.07									
22												
23												
24		0.32					0.08					
25												
26												0.04
27				0.16								0.08
28			0.08	0.04								
29			0.28									
30												
31	0.15E											
Totals	0.15	0.55	0.63	0.20	0.00	0.00	0.08	0.00	0.00	0.00	0.00	0.12
												Water Year Total: 1.73

NOTE: All Values are in units of inches, unless otherwise specified.

LEGEND: A - Acculated Total
 E - Estimated
 T - Trace, unmeasurable amount of rain

Data Revised: March 2011

PRECIPITATION

DAILY RAINFALL SUMMARY

1251 Palos Verdes-Whites Point

Gage Type: Standard 8 inch diameter

Observation Time: 800

Latitude 33-42-50

Longitude: 118-19-02

Elevation: 100 Feet

Water Year from 10/01/2001 to 09/30/2002

Day	Oct	Nov	Dec	Jan	Feb	Mar	Apr	May	Jun	Jul	Aug	Sep
1				T								
2												
3			0.08	0.04								
4		0.01										
5		0.01										
6							0.01					
7						0.03						
8						T						
9												
10												
11		0.05										
12												
13		0.12										
14												
15			0.12				0.01					
16												
17					0.17						T	
18						0.11						
19											0.02	
20								0.08				
21			0.13									
22			0.07									
23						0.02						
24												
25		0.36					0.02					
26							0.01					
27							0.02					
28				0.16								
29		0.29	0.02	0.05								T
30			0.33									
31	0.02		0.17									
Totals	0.02	0.84	0.92	0.25	0.17	0.16	0.07	0.08	0.00	0.00	0.02	0.00
												Water Year Total: 2.53

NOTE: All Values are in units of inches, unless otherwise specified.

LEGEND: A - Acculated Total
 E - Estimated
 T - Trace, unmeasurable amount of rain

Data Revised: March 2011

PRECIPITATION

DAILY RAINFALL SUMMARY

1252 Palos Verdes Landfill

Gage Type: Standard 8 inch diameter

Observation Time: 800

Latitude 33-45-40

Longitude: 118-20-03

Elevation: 400 Feet

Water Year from 10/01/2001 to 09/30/2002

Day	Oct	Nov	Dec	Jan	Feb	Mar	Apr	May	Jun	Jul	Aug	Sep
1												
2				0.06								
3			0.16									
4												
5		0.09										
6							0.02					
7						0.03						
8												
9												
10												
11												
12												
13		0.70										
14												
15							0.02					
16												
17												
18												
19					0.41							
20								0.11				
21			0.28									
22												
23		0.75										
24			0.29									
25						0.08	0.01					
26												
27							0.01					
28				0.72								
29		0.04		0.41		T						
30		0.56		0.11								
31	0.06		0.65									
Totals	0.06	2.14	1.38	1.30	0.41	0.11	0.06	0.11	0.00	0.00	0.00	0.00
												Water Year Total: 5.57

NOTE: All Values are in units of inches, unless otherwise specified.

LEGEND: A - Acculated Total
 E - Estimated
 T - Trace, unmeasurable amount of rain

Data Revised: March 2011

PRECIPITATION

DAILY RAINFALL SUMMARY

1253 Carson-County Sanitation

Gage Type: Standard 8 inch diameter

Observation Time: 800

Latitude 33-48-07

Longitude: 118-16-58

Elevation: 40 Feet

Water Year from 10/01/2001 to 09/30/2002

Day	Oct	Nov	Dec	Jan	Feb	Mar	Apr	May	Jun	Jul	Aug	Sep
1												
2			T									
3			0.14	0.05								
4		0.05										
5												
6						T	T					
7						T						
8												
9												
10												
11		0.06										
12		0.39										
13												
14			0.09									
15							0.02					
16												
17					0.26	T						
18												
19												
20			T					0.11				
21			0.32									
22												
23						T						
24		0.70					0.03					
25												
26												
27				0.01								
28			T	0.09		T						
29		0.45	0.36	0.04								
30			0.19									
31												
Totals	0.00	1.65	1.10	0.19	0.26	0.00	0.05	0.11	0.00	0.00	0.00	0.00
												Water Year Total: 3.36

NOTE: All Values are in units of inches, unless otherwise specified.

LEGEND: A - Acculated Total
 E - Estimated
 T - Trace, unmeasurable amount of rain

Data Revised: March 2011

PRECIPITATION

DAILY RAINFALL SUMMARY

1254 Long Beach Reclamation Plant

Gage Type: Standard 8 inch diameter

Observation Time: 800

Latitude 33-48-11

Longitude: 118-05-20

Elevation: 20 Feet

Water Year from 10/01/2001 to 09/30/2002

Day	Oct	Nov	Dec	Jan	Feb	Mar	Apr	May	Jun	Jul	Aug	Sep
1												
2			0.33	0.05								
3												
4												
5							0.02					
6						0.08						
7												
8												
9												
10												
11		0.02										
12		0.40										
13												
14			0.15				0.06					
15												
16					0.20							
17					0.14	0.07						
18												
19												
20			0.35					0.14				
21			0.07									
22						0.15						
23												
24		0.50					0.09					
25												
26												
27				0.39								
28			T	0.12		T						
29		0.25	0.34									
30												
31			0.16									
Totals	0.00	1.17	1.40	0.56	0.34	0.30	0.17	0.14	0.00	0.00	0.00	0.00
												Water Year Total: 4.08

NOTE: All Values are in units of inches, unless otherwise specified.

LEGEND: A - Acculated Total
 E - Estimated
 T - Trace, unmeasurable amount of rain

Data Revised: March 2011

PRECIPITATION

DAILY RAINFALL SUMMARY

1255 Los Coyotes Reclamation Plant

Gage Type: Standard 8 inch diameter

Observation Time: 800

Latitude 33-53-05

Longitude: 118-06-24

Elevation: 70 Feet

Water Year from 10/01/2001 to 09/30/2002

Day	Oct	Nov	Dec	Jan	Feb	Mar	Apr	May	Jun	Jul	Aug	Sep
1												
2			0.20	0.07								
3												
4												
5												
6						0.06						
7						T						
8												
9			0.01									
10		0.03										
11												
12		0.28										
13												
14			0.18				0.07					
15												
16					0.09							
17					0.06	0.08						
18												
19												
20			0.27					0.29				
21			0.02									
22						0.23						
23						0.02						
24		0.88					0.05					
25												
26							0.11					
27				0.41								
28			T	0.06								
29		0.21	0.26									
30	0.01											
31			0.12									
Totals	0.01	1.40	1.06	0.54	0.15	0.39	0.23	0.29	0.00	0.00	0.00	0.00
												Water Year Total: 4.07

NOTE: All Values are in units of inches, unless otherwise specified.

LEGEND: A - Acculated Total

E - Estimated

T - Trace, unmeasurable amount of rain

Data Revised: March 2011

PRECIPITATION

DAILY RAINFALL SUMMARY

1256 South Gate Transfer Station

Gage Type: Standard 8 inch diameter

Observation Time: 800

Latitude 33-56-40

Longitude: 118-09-56

Elevation: 100 Feet

Water Year from 10/01/2001 to 09/30/2002

Day	Oct	Nov	Dec	Jan	Feb	Mar	Apr	May	Jun	Jul	Aug	Sep
1												
2												
3			0.19									
4			0.01									
5												
6												
7												
8						0.28						
9												
10			0.04									
11												
12		0.07										
13		0.42										
14												
15							T					
16												
17												
18												
19					0.28							
20								0.01				
21			0.29									
22												
23		0.39										
24			0.06									
25						0.20	0.01					
26												
27												
28												
29			T	0.10								
30		0.20										
31	0.01		0.40									
Totals	0.01	1.08	0.99	0.10	0.28	0.48	0.01	0.01	0.00	0.00	0.00	0.00
												Water Year Total: 2.96

NOTE: All Values are in units of inches, unless otherwise specified.

LEGEND: A - Acculated Total
 E - Estimated
 T - Trace, unmeasurable amount of rain

Data Revised: March 2011

PRECIPITATION

DAILY RAINFALL SUMMARY

1257 San Jose Creek Reclamation Plant

Gage Type: Standard 8 inch diameter

Observation Time: 800

Latitude 34-01-55

Longitude: 118-01-16

Elevation: 275 Feet

Water Year from 10/01/2001 to 09/30/2002

Day	Oct	Nov	Dec	Jan	Feb	Mar	Apr	May	Jun	Jul	Aug	Sep
1												
2			0.25	0.07								
3			T									
4												
5												
6						0.07						
7												
8												
9												
10		0.01										
11												
12		0.37										
13												
14			0.42				0.02					
15												
16					0.25							
17					0.19	0.27						
18												
19												
20			0.48					0.28				
21			0.08									
22						0.04						
23												
24		1.15					0.09					
25												
26												
27				0.71								
28			0.03	T								
29		0.12	0.24									
30	0.02											
31			0.60									
Totals	0.02	1.65	2.10	0.78	0.44	0.38	0.11	0.28	0.00	0.00	0.00	0.00
												Water Year Total: 5.76

NOTE: All Values are in units of inches, unless otherwise specified.

LEGEND: A - Acculated Total
 E - Estimated
 T - Trace, unmeasurable amount of rain

Data Revised: March 2011

PRECIPITATION

DAILY RAINFALL SUMMARY

1258 Puente Hills Landfill

Gage Type: Standard 8 inch diameter

Observation Time: 800

Latitude 34-01-35

Longitude: 118-01-49

Elevation: 300 Feet

Water Year from 10/01/2001 to 09/30/2002

Day	Oct	Nov	Dec	Jan	Feb	Mar	Apr	May	Jun	Jul	Aug	Sep
1												
2												
3			0.32									
4												
5		0.02										
6												
7						0.08						
8												
9												
10												
11												
12												
13		0.38										
14												
15							0.08					
16							0.02					
17						0.27E						
18												
19					0.40							
20								0.34				
21			0.41									
22												
23		1.19										
24			0.13									
25						0.05	0.10					
26												
27							0.01					
28				0.70E								
29			0.04	0.02								
30		0.15										
31	0.04		0.31									
Totals	0.04	1.74	1.21	0.72	0.40	0.40	0.21	0.34	0.00	0.00	0.00	0.00
												Water Year Total: 5.06

NOTE: All Values are in units of inches, unless otherwise specified.

LEGEND: A - Acculated Total
 E - Estimated
 T - Trace, unmeasurable amount of rain

Data Revised: March 2011

PRECIPITATION

DAILY RAINFALL SUMMARY

1259 Whittier Narrows Reclamation Plant

Gage Type: Standard 8 inch diameter

Observation Time: 800

Latitude 34-03-59

Longitude: 118-03-54

Elevation: 225 Feet

Water Year from 10/01/2001 to 09/30/2002

Day	Oct	Nov	Dec	Jan	Feb	Mar	Apr	May	Jun	Jul	Aug	Sep
1												
2			0.29	0.08								
3												
4												
5												
6						0.10						
7						0.01						
8												
9			0.19									
10		0.04										
11		0.02										
12		0.33										
13												
14			0.52				0.07					
15												
16					0.18							
17					0.17	0.21						
18												
19												
20			0.48					0.10				
21			0.08									
22						0.04						
23						0.05						
24		0.90					0.10					
25												
26												
27				0.76								
28			0.03	0.02								
29		0.14	0.26									
30	0.01											
31			0.07									
Totals	0.01	1.43	1.92	0.86	0.35	0.41	0.17	0.10	0.00	0.00	0.00	0.00
											Water Year Total:	5.25

NOTE: All Values are in units of inches, unless otherwise specified.

LEGEND: A - Acculated Total
 E - Estimated
 T - Trace, unmeasurable amount of rain

Data Revised: March 2011

PRECIPITATION

DAILY RAINFALL SUMMARY

1260 Spadra Landfill

Gage Type: Standard 8 inch diameter

Observation Time: 800

Latitude 34-02-36

Longitude: 117-49-50

Elevation: 700 Feet

Water Year from 10/01/2001 to 09/30/2002

Day	Oct	Nov	Dec	Jan	Feb	Mar	Apr	May	Jun	Jul	Aug	Sep
1												
2												
3			0.31									
4												
5		0.02										
6												
7						0.08						
8						0.01						
9												
10												
11												
12												
13		0.36										
14			0.42E									
15												
16												
17						0.38E						
18												
19					0.42							
20								0.26				
21			0.43									
22												
23		1.25										
24			0.03									
25						0.25	0.08					
26												
27												
28				0.74E								
29				0.02E		0.01						
30		0.11		0.05								
31	0.02		0.29									
Totals	0.02	1.74	1.48	0.81	0.42	0.73	0.08	0.26	0.00	0.00	0.00	0.00
												Water Year Total: 5.54

NOTE: All Values are in units of inches, unless otherwise specified.

LEGEND: A - Acculated Total
 E - Estimated
 T - Trace, unmeasurable amount of rain

Data Revised: March 2011

PRECIPITATION

DAILY RAINFALL SUMMARY

1261 La Canada Reclamation Plant

Gage Type: Standard 8 inch diameter

Observation Time: 800

Latitude 34-13-00

Longitude: 118-11-14

Elevation: 1800 Feet

Water Year from 10/01/2001 to 09/30/2002

Day	Oct	Nov	Dec	Jan	Feb	Mar	Apr	May	Jun	Jul	Aug	Sep
1												
2			0.27	0.12								
3												
4												
5							0.04					
6						0.47						
7												
8												
9			0.26									
10		0.06										
11		0.03										
12		0.57										
13												
14			0.18				0.16					
15				0.14								
16				0.03	0.31							
17					0.07	0.30						
18												
19												
20			0.67				0.29	0.06				
21			0.08					0.06				
22												
23						0.03						
24		1.55					0.06					
25												
26												
27				1.73								
28		0.07	0.11			0.04						0.45
29		0.11	0.11									
30	0.13											
31			0.05									
Totals	0.13	2.39	1.73	2.02	0.38	0.84	0.26	0.29	0.12	0.00	0.00	0.45
												Water Year Total: 8.61

NOTE: All Values are in units of inches, unless otherwise specified.

LEGEND: A - Acculated Total
 E - Estimated
 T - Trace, unmeasurable amount of rain

Data Revised: March 2011

PRECIPITATION

DAILY RAINFALL SUMMARY

1262 Saugus Reclamation Plant

Gage Type: Standard 8 inch diameter

Observation Time: 800

Latitude 34-24-48

Longitude: 118-32-23

Elevation: 1150 Feet

Water Year from 10/01/2001 to 09/30/2002

Day	Oct	Nov	Dec	Jan	Feb	Mar	Apr	May	Jun	Jul	Aug	Sep
1												
2												
3			0.46	0.02								
4			0.12									
5												
6						0.13	0.02					
7						0.40						
8						0.02						
9												
10			T									
11		0.26										
12		0.02										
13		0.71	0.04									
14			0.01				T					
15							0.12					
16												
17					0.46	0.10						
18					0.04	0.12						
19												
20			0.02					0.10				
21			0.53									
22			T									
23						0.06						
24		1.36				0.27						
25		0.10										
26		T					T					
27				0.08			T					
28				0.82								0.05
29		0.31	0.25	0.11								0.03
30	0.12	0.01	0.03									0.02
31	0.23		0.06									
Totals	0.35	2.77	1.52	1.03	0.50	1.10	0.14	0.10	0.00	0.00	0.00	0.10
												Water Year Total: 7.61

NOTE: All Values are in units of inches, unless otherwise specified.

LEGEND: A - Acculated Total

E - Estimated

T - Trace, unmeasurable amount of rain

Data Revised: March 2011

PRECIPITATION

DAILY RAINFALL SUMMARY

1263 **Valencia Reclamation Plant**

Gage Type: Standard 8 inch diameter

Observation Time: 800

Latitude 34-25-55

Longitude: 118-37-13

Elevation: 1000 Feet

Water Year from 10/01/2001 to 09/30/2002

Day	Oct	Nov	Dec	Jan	Feb	Mar	Apr	May	Jun	Jul	Aug	Sep
1												
2			0.11	0.18								
3												
4												
5							T					
6						0.17						
7												
8												
9												
10		0.04										
11		T										
12		0.32										
13												
14			0.02									
15												
16					0.27							
17					T	0.13						
18												
19												
20			0.25					0.02				
21												
22												
23												
24		1.10										
25												
26												
27				0.50								
28		0.06	0.06									
29	T	0.29	0.13									
30	0.15											
31			0.03									
Totals	0.15	1.81	0.60	0.68	0.27	0.30	0.00	0.02	0.00	0.00	0.00	0.00
												Water Year Total: 3.83

NOTE: All Values are in units of inches, unless otherwise specified.

LEGEND: A - Acculated Total
 E - Estimated
 T - Trace, unmeasurable amount of rain

Data Revised: March 2011

PRECIPITATION

DAILY RAINFALL SUMMARY

1264 Calabasas Landfill

Gage Type: Standard 8 inch diameter

Observation Time: 800

Latitude 34-08-25

Longitude: 118-42-35

Elevation: 800 Feet

Water Year from 10/01/2001 to 09/30/2002

Day	Oct	Nov	Dec	Jan	Feb	Mar	Apr	May	Jun	Jul	Aug	Sep
1												
2												
3			0.16	0.21E								
4												
5												
6												
7						0.09						
8						0.04						
9												
10												
11												
12		0.12										
13		0.72										
14												
15							0.03					
16				0.01E								
17												
18												
19					0.43							
20								0.16				
21			0.34									
22												
23		1.18										
24												
25												
26												
27				0.34E								
28				0.19E								
29		0.06	0.16									
30		0.40										
31	0.13		0.49									
Totals	0.13	2.48	1.15	0.75	0.43	0.13	0.03	0.16	0.00	0.00	0.00	0.00
												Water Year Total: 5.26

NOTE: All Values are in units of inches, unless otherwise specified.

LEGEND: A - Acculated Total
 E - Estimated
 T - Trace, unmeasurable amount of rain

Data Revised: March 2011

PRECIPITATION

DAILY RAINFALL SUMMARY

1265 Scholl Canyon Landfill

Gage Type: Standard 8 inch diameter

Observation Time: 800

Latitude 34-08-38

Longitude: 118-11-07

Elevation: 1000 Feet

Water Year from 10/01/2001 to 09/30/2002

Day	Oct	Nov	Dec	Jan	Feb	Mar	Apr	May	Jun	Jul	Aug	Sep
1												
2												
3			0.19									
4												
5		T										
6							0.02					
7						0.19						
8						0.01	0.01					
9												
10			0.28									
11												
12		0.05										
13		0.65										
14												
15							0.09					
16				0.17			0.03					
17				0.09								
18												
19					0.33						0.01	
20								0.13			0.06	
21			0.71						0.11			
22									0.04			
23		1.82										
24			0.03									
25						0.03	0.05					
26												
27												
28				0.09								
29			0.05	0.01		0.02						
30		0.14										0.28
31	0.10		0.21									
Totals	0.10	2.66	1.47	0.36	0.33	0.25	0.20	0.13	0.15	0.00	0.07	0.28
										Water Year Total:		6.00

NOTE: All Values are in units of inches, unless otherwise specified.

LEGEND: A - Acculated Total
 E - Estimated
 T - Trace, unmeasurable amount of rain

Data Revised: March 2011

PRECIPITATION

DAILY RAINFALL SUMMARY

1266 Mission Canyon Landfill

Gage Type: Standard 8 inch diameter

Observation Time: 800

Latitude 34-08-40

Longitude: 118-28-45

Elevation: 1150 Feet

Water Year from 10/01/2001 to 09/30/2002

Day	Oct	Nov	Dec	Jan	Feb	Mar	Apr	May	Jun	Jul	Aug	Sep
1												
2												
3			0.25	0.22E								
4												
5												
6												0.06
7						0.08						
8												
9												
10			0.03									
11												
12												
13		0.56										
14												
15							0.18					
16												
17												
18												
19					0.33							
20								0.19				
21			0.31									
22												
23		1.25										
24			0.02									
25												
26												
27												
28				1.06E								
29		0.09										
30	0.01	0.24		0.07E								0.03
31	0.15		0.35									
Totals	0.16	2.14	0.96	1.35	0.33	0.08	0.18	0.19	0.00	0.00	0.00	0.09
												Water Year Total: 5.48

NOTE: All Values are in units of inches, unless otherwise specified.

LEGEND: A - Acculated Total
 E - Estimated
 T - Trace, unmeasurable amount of rain

Data Revised: March 2011

PRECIPITATION

DAILY RAINFALL SUMMARY

1267 Lancaster Reclamation Plant

Gage Type: Standard 8 inch diameter

Observation Time: 800

Latitude 34-46-38

Longitude: 118-09-11

Elevation: 2302 Feet

Water Year from 10/01/2001 to 09/30/2002

Day	Oct	Nov	Dec	Jan	Feb	Mar	Apr	May	Jun	Jul	Aug	Sep
1												
2												
3			0.13									
4												
5												
6												
7						0.10						
8												
9												
10												
11												
12		0.32										
13												
14												
15												
16												
17					0.04	0.05						
18												
19												
20			0.19					0.04E				
21												
22												
23												
24		0.17										
25												
26												
27				0.16								
28			0.22	0.03								
29												
30	0.25											
31			0.05									
Totals	0.25	0.49	0.59	0.19	0.04	0.15	0.00	0.04	0.00	0.00	0.00	0.00
												Water Year Total: 1.75

NOTE: All Values are in units of inches, unless otherwise specified.

LEGEND: A - Acculated Total
 E - Estimated
 T - Trace, unmeasurable amount of rain

Data Revised: March 2011

PRECIPITATION

DAILY RAINFALL SUMMARY

1268 Palmdale Reclamation Plant

Gage Type: Standard 8 inch diameter

Observation Time: 800

Latitude 34-35-30

Longitude: 118-05-10

Elevation: 2565 Feet

Water Year from 10/01/2001 to 09/30/2002

Day	Oct	Nov	Dec	Jan	Feb	Mar	Apr	May	Jun	Jul	Aug	Sep
1												
2				0.09								
3			0.06									
4												
5												
6						0.01						
7												
8												
9												
10												
11		T										
12		0.26										
13												
14			0.06									
15												
16					0.18							
17					0.06	0.10						
18												
19												
20			0.20				T					
21												
22												
23						0.01						
24		0.55					0.04					
25												
26												
27				0.29								
28			0.34			0.02						
29	0.01		0.02									
30	0.17											
31			0.02									
Totals	0.18	0.81	0.70	0.38	0.24	0.14	0.04	0.00	0.00	0.00	0.00	0.00
												Water Year Total: 2.49

NOTE: All Values are in units of inches, unless otherwise specified.

LEGEND: A - Acculated Total
 E - Estimated
 T - Trace, unmeasurable amount of rain

Data Revised: March 2011

PRECIPITATION

DAILY RAINFALL SUMMARY

1271 Pomona Waste Reclamation Plant

Gage Type: Standard 8 inch diameter

Observation Time: 800

Latitude 34-03-18

Longitude: 117-47-34

Elevation: 786 Feet

Water Year from 10/01/2001 to 09/30/2002

Day	Oct	Nov	Dec	Jan	Feb	Mar	Apr	May	Jun	Jul	Aug	Sep
1												
2			0.16	0.02								
3												
4												
5												
6						0.05						
7												
8												
9												
10		0.02										
11		0.01										
12		0.26										
13												
14			0.46									
15												
16					0.12							
17					0.08	0.32						
18												
19												
20			0.52					0.26				
21			0.01									
22						0.18						
23												
24		1.43					0.09					
25												
26							0.01					
27				0.84								
28						0.01						
29		0.09	0.15									
30	0.02											
31			0.04									
Totals	0.02	1.81	1.34	0.86	0.20	0.56	0.10	0.26	0.00	0.00	0.00	0.00
												Water Year Total: 5.15

NOTE: All Values are in units of inches, unless otherwise specified.

LEGEND: A - Acculated Total
 E - Estimated
 T - Trace, unmeasurable amount of rain

Data Revised: March 2011

PRECIPITATION

DAILY RAINFALL SUMMARY

1274 Whittier - Valna Drive

Gage Type: Standard 8 inch diameter (DPW)

Observation Time: 800

Latitude 33-57-39

Longitude: 118-01-10

Elevation: 255 Feet

Water Year from 10/01/2001 to 09/30/2002

Day	Oct	Nov	Dec	Jan	Feb	Mar	Apr	May	Jun	Jul	Aug	Sep
1												
2												
3			0.23	0.08								
4		T										
5												
6							0.01					
7						0.04						
8						0.16						
9												
10												
11		0.03										
12												
13		0.30										
14												
15			0.38				0.14					
16												
17					0.31							
18						0.43						
19								0.01			0.01	
20												
21			0.38					0.29				
22			0.04									
23						0.13						
24						0.01						
25		0.81						0.01				
26												
27								0.30				
28			0.01	0.73								
29				0.05		0.01						
30		0.23	0.24									
31	0.04		0.08									
Totals	0.04	1.37	1.36	0.86	0.31	0.78	0.46	0.30	0.00	0.00	0.01	0.00
												Water Year Total: 5.49

NOTE: All Values are in units of inches, unless otherwise specified.

LEGEND: A - Acculated Total
 E - Estimated
 T - Trace, unmeasurable amount of rain

Data Revised: March 2011

PRECIPITATION

DAILY RAINFALL SUMMARY

1277 DPW Headquarters, Fremont

Gage Type: Daily Automatic (DPW)

Observation Time: 2400

Latitude 34-05-12

Longitude: 118-09-01

Elevation: 450 Feet

Water Year from 10/01/2001 to 09/30/2002

Day	Oct	Nov	Dec	Jan	Feb	Mar	Apr	May	Jun	Jul	Aug	Sep
1												
2			0.04									
3			0.20									
4												
5												
6				0.08		0.04						
7						0.16						
8												
9												
10												
11												
12		0.40										
13		0.08										
14			0.20									
15							0.08					
16												
17						0.23						
18												
19												
20			0.56					0.04				
21			0.12									
22					0.36							
23												
24		1.68					0.04					
25												
26												
27				0.96								
28												0.04
29		0.08	0.16									
30	0.04	0.08	0.04									
31												
Totals	0.04	2.32	1.32	1.04	0.36	0.43	0.12	0.04	0.00	0.00	0.00	0.04
												Water Year Total: 5.71

NOTE: All Values are in units of inches, unless otherwise specified.

LEGEND: A - Acculated Total
 E - Estimated
 T - Trace, unmeasurable amount of rain

Data Revised: March 2011

APPENDIX B

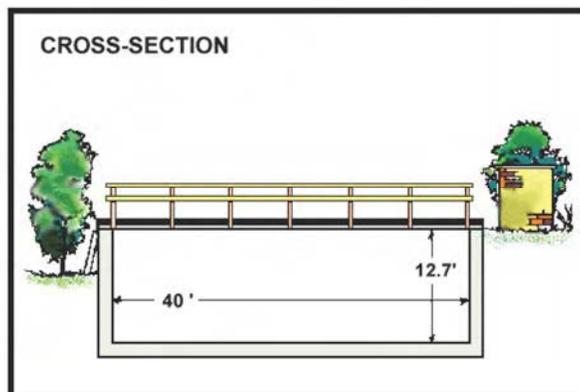
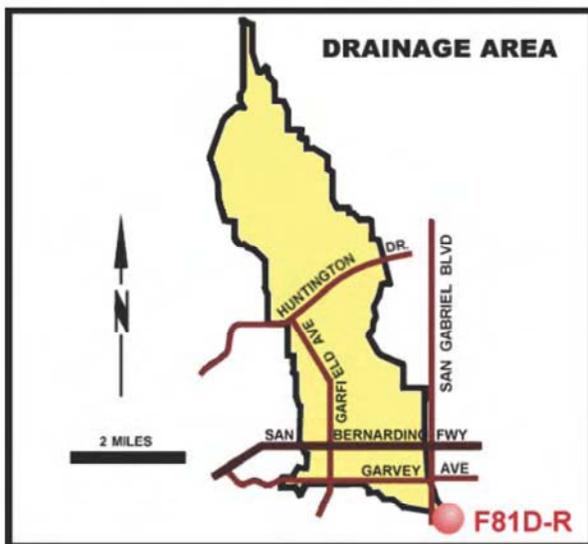
HYDROLOGIC REPORT 2001 – 2002

RUNOFF - STREAM GAGING STATION INFORMATION

RUNOFF - STREAM GAGING STATION INFORMATION

ALHAMBRA WASH

above Klingerman Street
STATION NO. F81D-R



RECORDER 5 min. interval data logger.

METHOD OF MEASUREMENT wading or from footbridge.

DRAINAGE AREA 15.20 square miles.

LOCATION 250 feet *above* Klingerman Street and 2650 feet *below* Garvey Avenue, South San Gabriel

REGULATION none.

DIVERSION none.

CHANNEL concrete, rectangular in section, 40.0 feet wide by 12.7 feet deep.

CONTROL channel forms control.

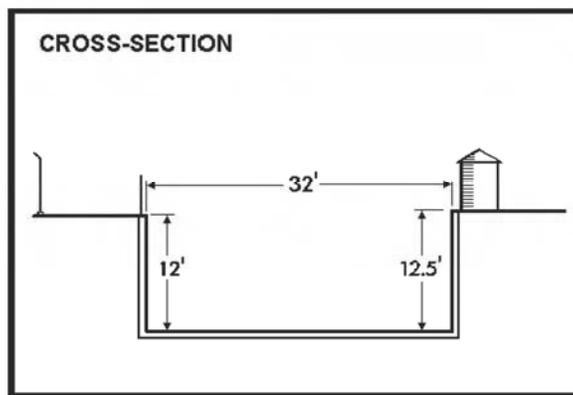
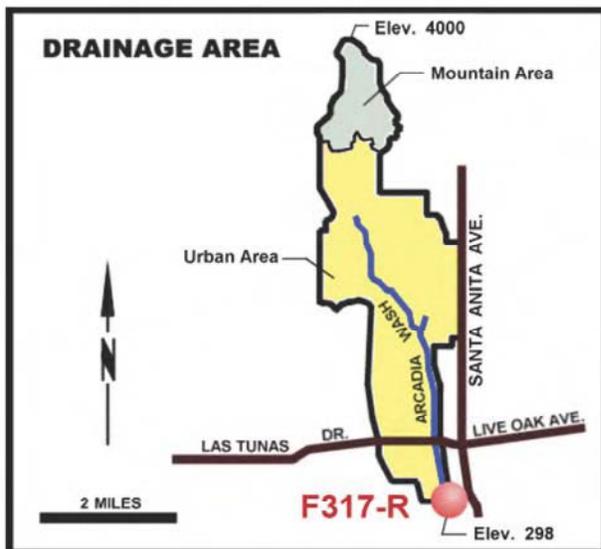
LENGTH OF RECORD at Station F81-R, January 14, 1930 to September 30, 1934; at Station F81B-R, October 1, 1934 to February 25, 1935; at Station F81C-R February 25, 1935 to April 27, 1936; at Station F81B-R April 27, 1936 to May 22, 1936; at Station F81D-R, September 2, 1936 to date.

RUNOFF - STREAM GAGING STATION INFORMATION

ARCADIA WASH

below Grand Avenue

STATION NO. F317-R



RECORDER 5 min. interval data logger.

METHOD OF MEASUREMENT low flows measured by wading. High flows measured from upstream side of Grand Avenue bridge.

DRAINAGE AREA 8.50 square miles.

LOCATION on the west wall of Arcadia Wash about 75 feet downstream from centerline of Grand Avenue.

REGULATION several debris basins located upstream.

DIVERSION none.

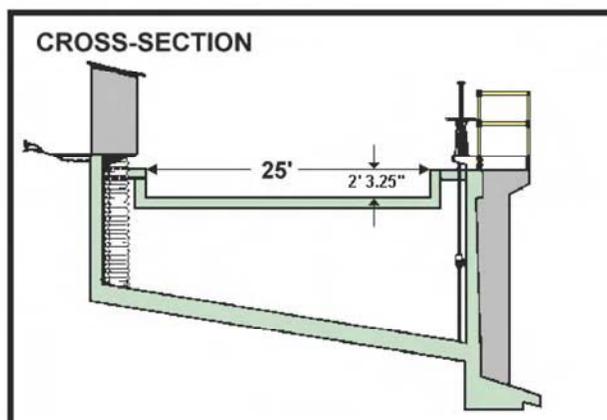
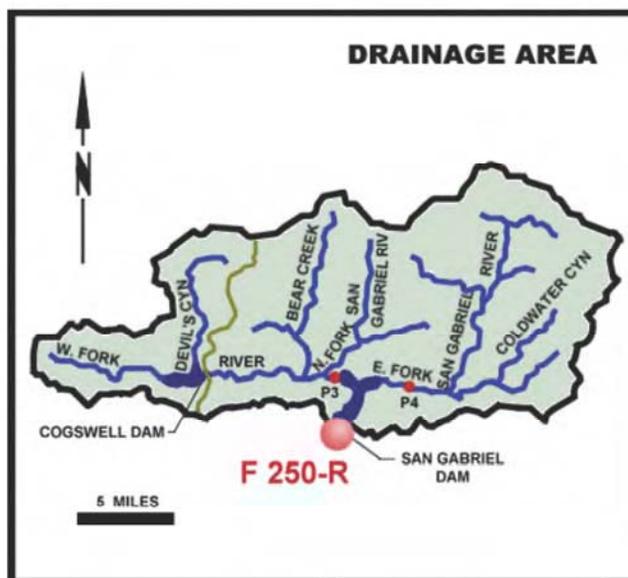
CHANNEL concrete, rectangular section.

CONTROL LENGTH OF RECORD December 12, 1955 to date.

RUNOFF - STREAM GAGING STATION INFORMATION

AZUSA CONDUIT

(Sandbox 20' weir)
STATION NO. F250-R



RECORDER 5 min. interval data logger.

METHOD OF MEASUREMENT weir formula with gage height observation.

DRAINAGE AREA 202.70 square miles.

LOCATION on the concrete conduit which diverts from San Gabriel Dam, 160 feet below the dam.

REGULATION regulated in section.

DIVERSION none.

CHANNEL 25-foot concrete weir.

CONTROL channel forms control.

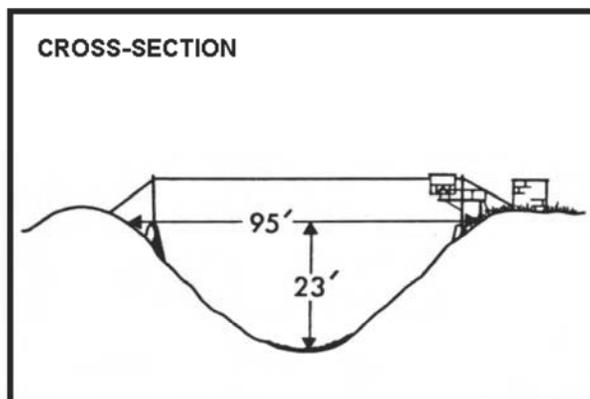
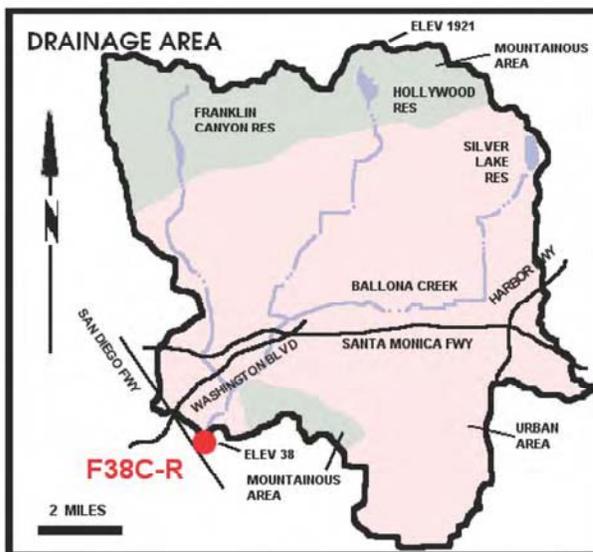
LENGTH OF RECORD February 26, 1933 to date.

REMARKS approximate capacity 95 second-feet.

RUNOFF - STREAM GAGING STATION INFORMATION

BALLONA CREEK

above Sawtelle Blvd.
STATION NO. F38C-R



RECORDER continuous water stage.

METHOD OF MEASUREMENT wading or from cable car.

DRAINAGE AREA 88.60 square miles.

LOCATION 530.0 feet above Sawtelle Boulevard, 1.5 miles southwest of Culver City.

REGULATION Stone Canyon Reservoir prior to January, 1951. Upper and Lower Franklin Canyon Reservoir, Hollywood Reservoir, and Silverlake Reservoir.

DIVERSION none.

CHANNEL concrete rubble, trapezoidal in section.

CONTROL channel forms control.

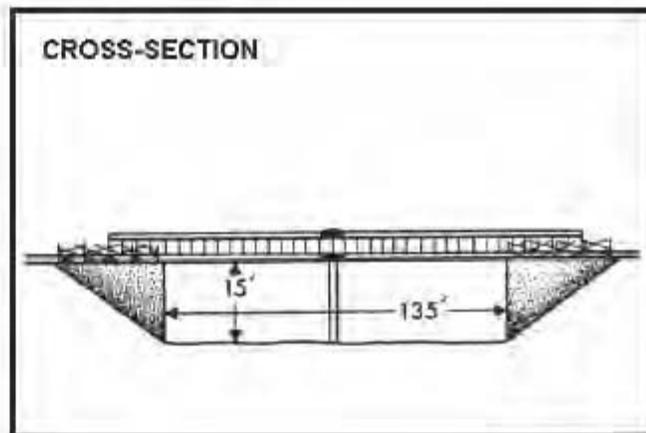
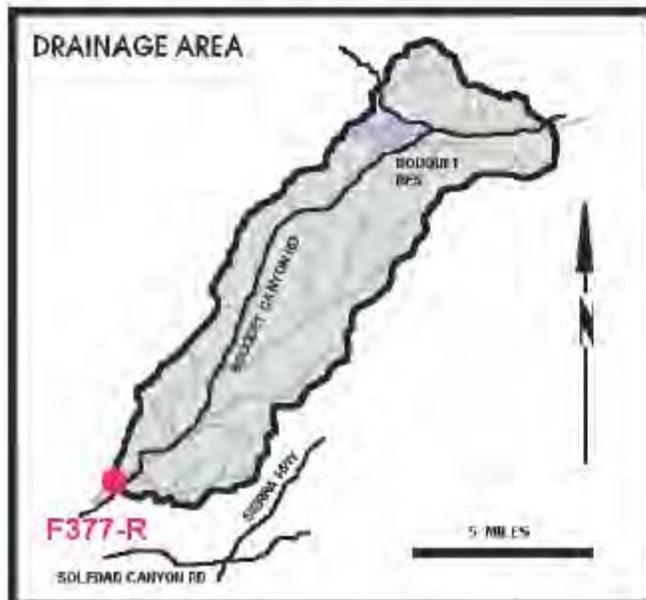
LENGTH OF RECORD at station F38-R, February 27, 1928 to April 27, 1936; at Station F38B-R, May 14, 1936 to August 10, 1967; at Station F38C-R, August 10, 1967 to date.

RUNOFF - STREAM GAGING STATION INFORMATION

BOUQUET CANYON CREEK

@ Urbandale Avenue

STATION NO. F377-R



RECORDER continuous water stage.

METHOD OF MEASUREMENT wading or from bridge.

DRAINAGE AREA 51.90 square miles.

LOCATION Bouquet Canyon Creek @ Urbandale Avenue, 3.5 miles northeast of Saugus.

REGULATION Bouquet Reservoir.

DIVERSION none.

CHANNEL concrete sides with natural bottom, trapezoidal in section.

CONTROL concrete stabilizer.

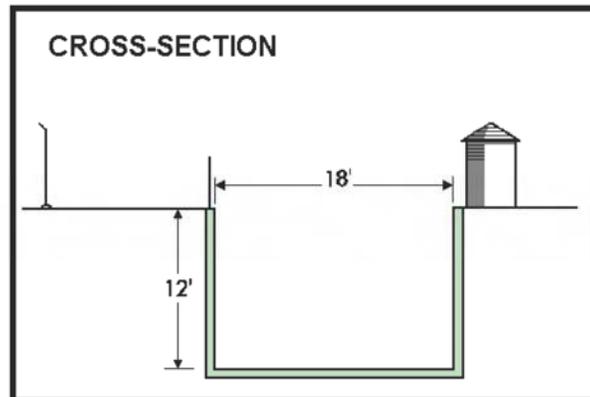
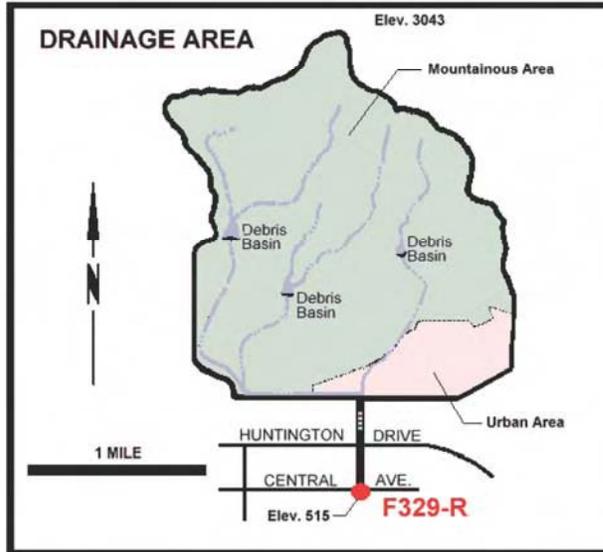
LENGTH OF RECORD October 11, 1967 to date.

RUNOFF - STREAM GAGING STATION INFORMATION

BRADBURY CHANNEL

below Central Avenue

STATION NO. F329-R



RECORDER 5 min. interval data logger.

METHOD OF MEASUREMENT low flows measured by wading. High flows measured from footbridge four feet downstream from recorder.

DRAINAGE AREA 3.30 square miles.

LOCATION on the east wall of Bradbury Channel, 200 feet downstream from the centerline of Central Avenue, one mile east of Duarte.

REGULATION two debris basins located upstream.

DIVERSION none.

CHANNEL rectangular concrete, 18 feet wide, 12 feet deep.

CONTROL channel forms control.

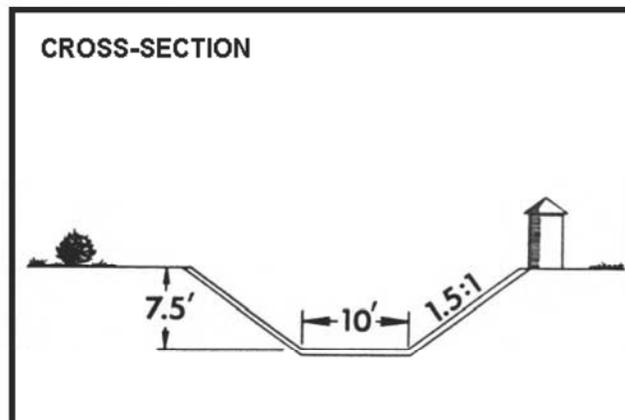
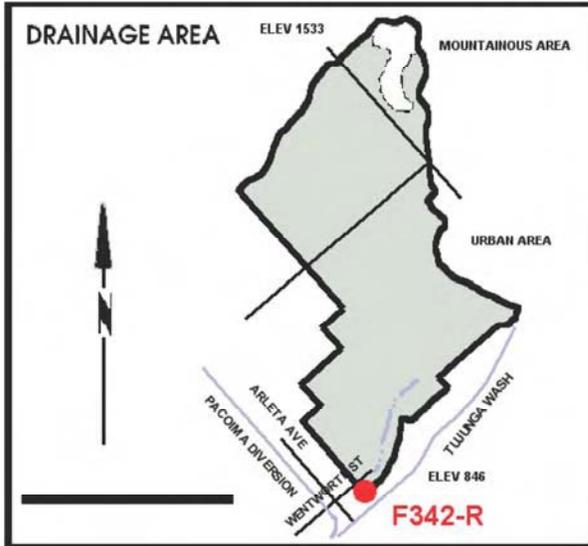
LENGTH OF RECORD June 14, 1957 to date.

RUNOFF - STREAM GAGING STATION INFORMATION

BRANFORD STREET CHANNEL

below Sharp Avenue

STATION NO. F342-R



RECORDER 15 min. punch tape.

METHOD OF MEASUREMENT low flows measured by wading. High flows measured by floats.

DRAINAGE AREA 5.01 square miles.

LOCATION on the south bank of channel, 125 feet downstream from Sharp Avenue, about 3.6 miles south of San Fernando.

REGULATION flow from Lopez Creek is diverted to Hansen Dam at the mouth of Lopez Canyon.

DIVERSION none.

CHANNEL trapezoidal, 10 feet wide at bottom and 7.5 feet deep with 1.5 to 1 side slopes.

CONTROL channel forms control.

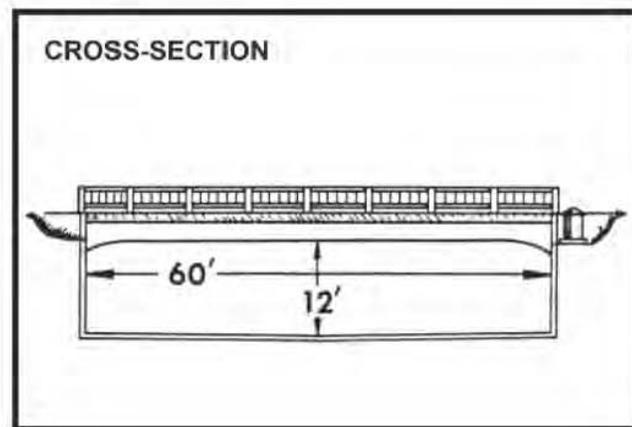
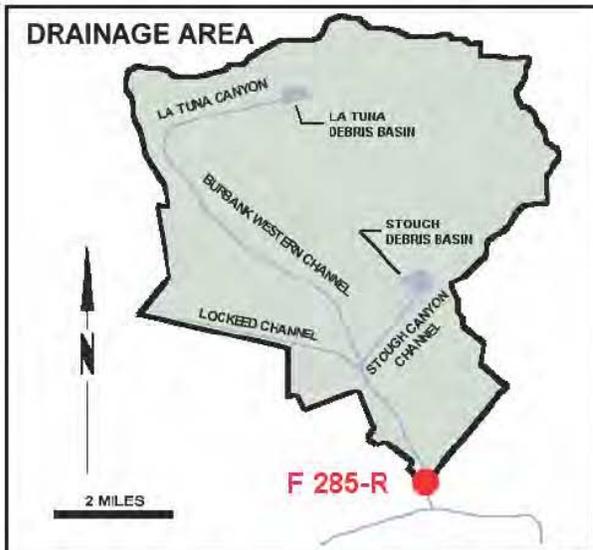
LENGTH OF RECORD January 12, 1962 to date.

RUNOFF - STREAM GAGING STATION INFORMATION

BURBANK WESTERN STORM DRAIN

@ Riverside Drive

STATION NO. E285-R



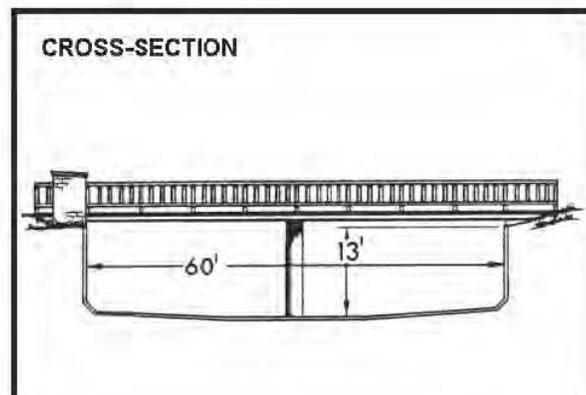
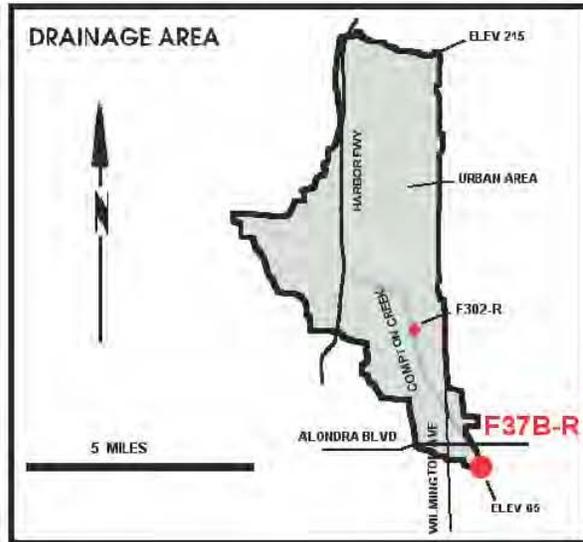
RECORDER continuous water stage.
METHOD OF MEASUREMENT wading or from bridge.
DRAINAGE AREA 25 square miles.
LOCATION 20 feet upstream from Riverside Drive, Glendale.
REGULATION several debris basins on tributaries.
DIVERSION none.
CHANNEL concrete, rectangular section.
CONTROL channel forms control.
LENGTH OF RECORD October 1, 1949 to date.
REMARKS operated in cooperation with the USCE.

RUNOFF - STREAM GAGING STATION INFORMATION

COMPTON CREEK

near Greenleaf Drive

STATION NO. F37B-R



RECORDER continuous water stage.

METHOD OF MEASUREMENT wading or from bridge.

DRAINAGE AREA 22.60 square miles.

LOCATION 120.0 feet above Greenleaf Boulevard, 1.5 miles south west of Compton.

REGULATION none.

DIVERSION none.

CHANNEL concrete, rectangular in section, 60 feet wide by 13 feet deep.

CONTROL channel forms control.

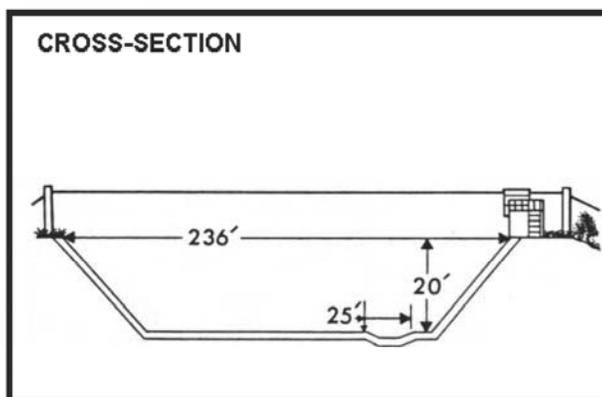
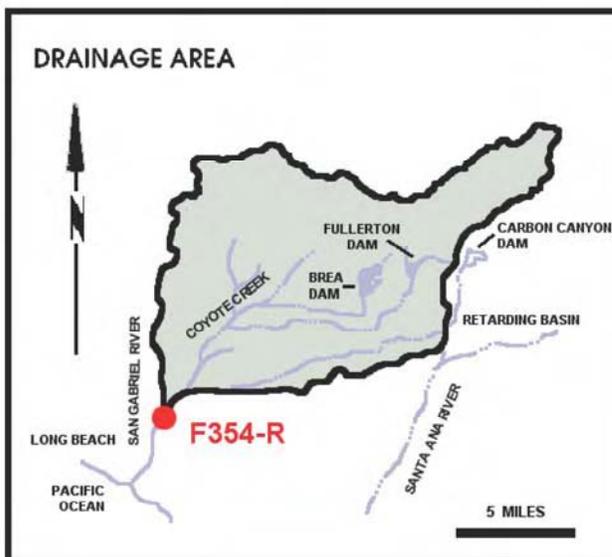
LENGTH OF RECORD at Station F37-R, January 22, 1928 to June 9, 1938; at Station F37B-R, October 3, 1938 to date.

RUNOFF - STREAM GAGING STATION INFORMATION

COYOTE CREEK

below Spring Street

STATION NO. F354-R



RECORDER continuous water stage.

METHOD OF MEASUREMENT wading or from cable car.

DRAINAGE AREA 185 square miles.

LOCATION 241 feet below Spring Street, 5.7 miles northeast of Long Beach.

REGULATION partially regulated by Fullerton Dam, Brea Dam, and Carbon Canyon Dam.

DIVERSION none.

CHANNEL concrete, trapezoidal in section.

CONTROL channel forms control.

LENGTH OF RECORD December 19, 1936 to date.

REMARKS previous gaging station for record correlation: Station F41-S, December 1, 1928 to January 14, 1930;

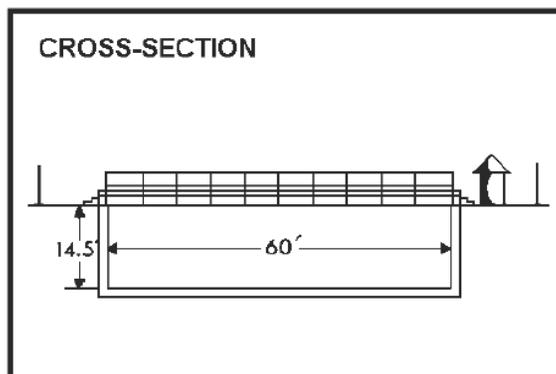
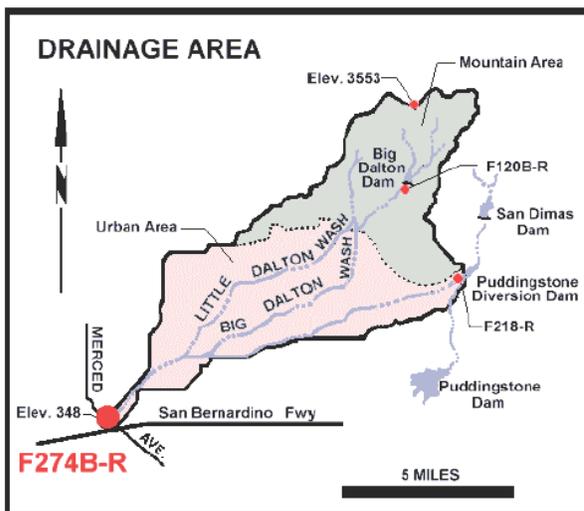
Station F41-R, January 14, 1930 to October 30, 1936; Station F41B-R, October 30, 1936 to February 17, 1937;

Station F41C-R, February 18, 1937 to February 8, 1956; Station F320-R, February 9, 1956 to July 2, 1965.

RUNOFF - STREAM GAGING STATION INFORMATION

DALTON WASH

@ Merced Avenue
STATION NO. F274B-R



RECORDER 5 min. interval data logger.

METHOD OF MEASUREMENT low flows measured by wading. High flows measured from footbridge 100 feet from station.

DRAINAGE AREA 35.95 square miles.

LOCATION on the west bank and upstream of Merced Avenue about 150 feet, about one-half miles above the junction with Walnut Wash and about one mile south of Baldwin Park.

REGULATION partly regulated by Big Dalton Dam, San Dimas Dam, Puddingstone Diversion Dam, Big Dalton Spreading Grounds, Little Dalton Spreading Grounds, Big Dalton Debris Basin, Little Debris Basin and Irwindale Spreading Grounds.

DIVERSION none.

CHANNEL concrete, rectangular section.

CONTROL channel forms control.

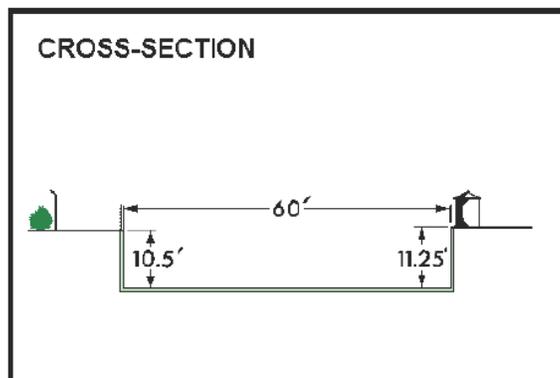
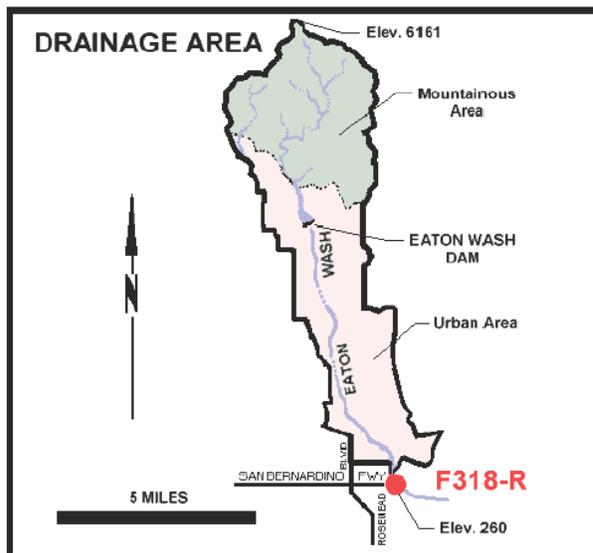
LENGTH OF RECORD REMARKS flow may include imported water originating at San Dimas.

RUNOFF - STREAM GAGING STATION INFORMATION

EATON WASH

@ Loftus Drive

STATION NO. F318-R



RECORDER 5 min. interval data logger.

METHOD OF MEASUREMENT low flows measured by wading. High flows measured from upstream side of East Loftus Drive bridge.

DRAINAGE AREA 22.80 square miles.

LOCATION on the west wall of the channel 52 feet above the centerline of East Loftus Drive bridge, 1.3 miles west of El Monte.

REGULATION partly regulated by Eaton Dam.

DIVERSION the Pasadena Water Department diverts some water just above the mouth of Eaton Canyon. The Flood Control District Diverts water to spreading grounds below Eaton Dam and below Huntington Drive.

CHANNEL rectangular concrete, 60 feet wide, 11.3 feet.

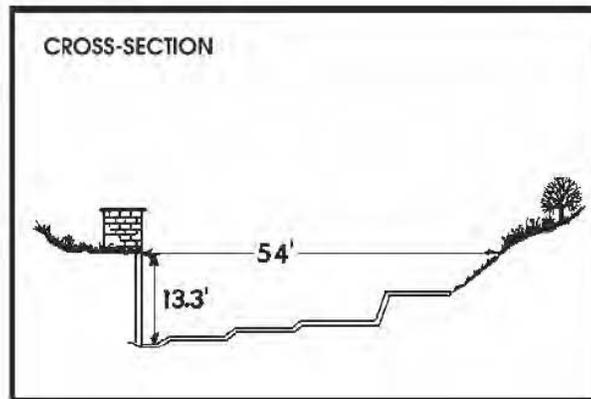
CONTROL channel forms control.

LENGTH OF RECORD 1956 to date.

RUNOFF - STREAM GAGING STATION INFORMATION

FISH CREEK

above Mouth of Canyon
STATION NO. U7-R



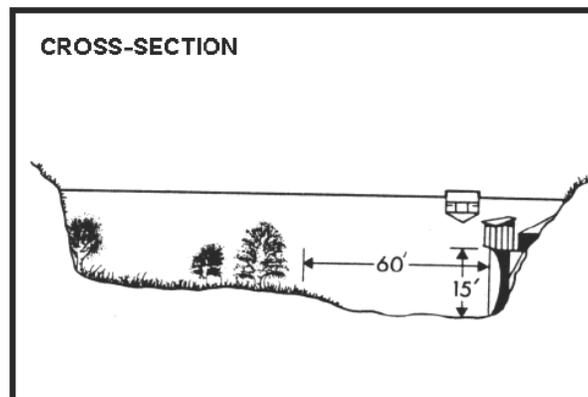
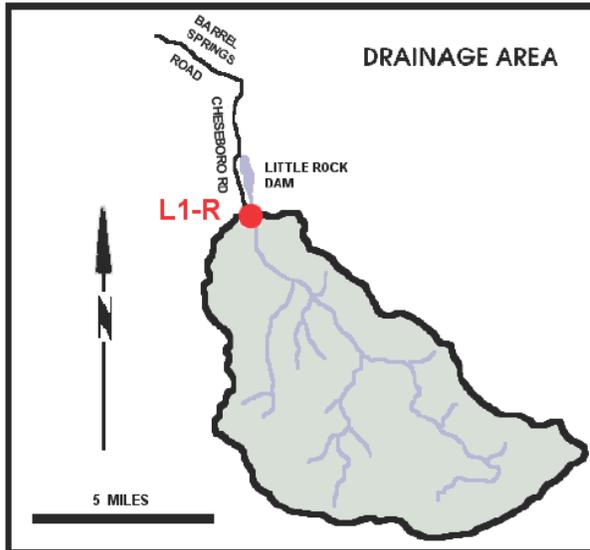
RECORDER 5 min. interval data logger.
METHOD OF MEASUREMENT wading.
DRAINAGE AREA 6.36 square miles.
LOCATION 0.8 miles upstream of Mouth of Canyon and 3.0 miles northeast of Duarte.
REGULATION none.
DIVERSION none.
CHANNEL natural, rock and gravel.
CONTROL concrete control.
LENGTH OF RECORD July to September 1916; July 1917 to date.
REMARKS operated and maintained by USGS until October 1, 1971.

RUNOFF - STREAM GAGING STATION INFORMATION

LITTLE ROCK CREEK

above Little Rock Dam

STATION NO. L1-R



RECORDER continuous water stage.

METHOD OF MEASUREMENT wading or from cable car.

DRAINAGE AREA 49.20 square miles.

LOCATION 2.0 miles above Little Rock Dam, 5.0 miles south of Little Rock.

REGULATION none.

DIVERSION none.

CHANNEL Sand, gravel, and boulder, natural in section.

CONTROL channel forms control.

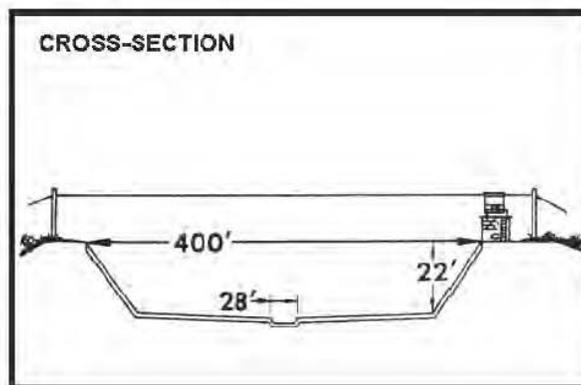
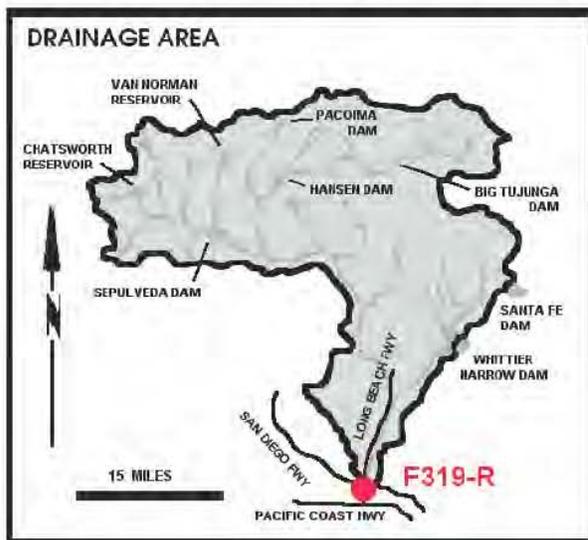
LENGTH OF RECORD October 1, 1930 to date.

RUNOFF - STREAM GAGING STATION INFORMATION

LOS ANGELES RIVER

below Wardlow River Road

STATION NO. F319-R



RECORDER continuous water stage.

METHOD OF MEASUREMENT wading or from cable car.

DRAINAGE AREA 815.00 square miles.

LOCATION 900.0 feet below Wardlow Road, Long Beach.

REGULATION flow is subject to the same regulation as Station F34D-R and P45B-R.

DIVERSION flows diverted to Dominguez Gap Spreading Grounds.

CHANNEL trapezoidal, concrete, 302.0 feet wide at bottom with 2.25:1 side slopes. Low flow channel 28.0 feet wide by 1.0 foot deep in center of channel.

CONTROL channel forms control.

LENGTH OF RECORD at Station F180-R, October 31, 1931 to January 13, 1956; at Station F319-R, January 13, 1956 to date.

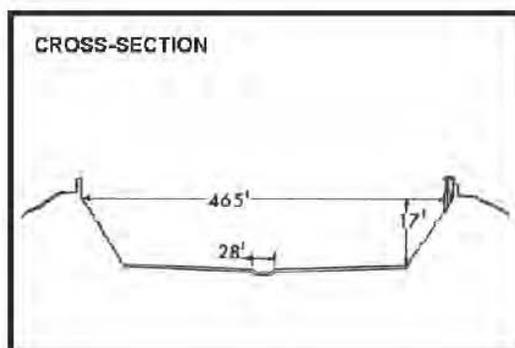
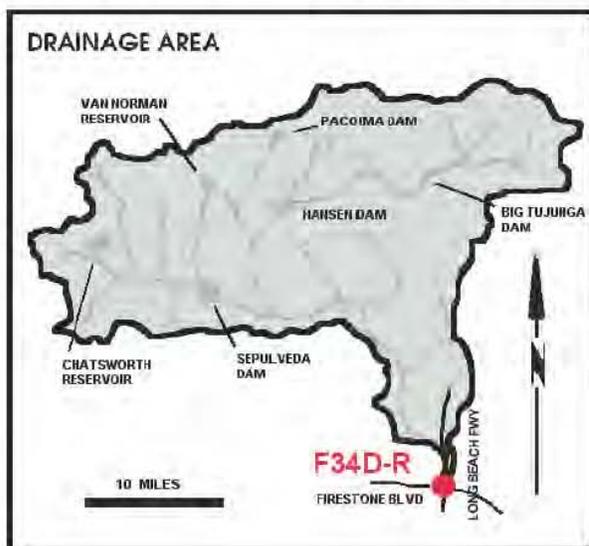
REMARKS prior to 1931, see Station F36-R.

RUNOFF - STREAM GAGING STATION INFORMATION

LOS ANGELES RIVER

below Firestone Blvd.

STATION NO. F34D-R



RECORDER continuous water stage.

METHOD OF MEASUREMENT wading or from bridge.

DRAINAGE AREA 596.00 square miles.

LOCATION 472.0 feet downstream of Firestone Boulevard, 3.0 miles west of Downey.

REGULATION partially regulated by Sepulveda, Pacoima, Big Tujunga, Hansen, and Devil's Gate Dam; and by several spreading grounds, reservoirs, and debris basins.

DIVERSION none.

CHANNEL concrete, with rip-rap side slopes, trapezoidal in section, with trapezoidal low flow channel.

CONTROL channel forms control.

LENGTH OF RECORD at Station F34-R, March 1, 1928 to April 11, 1938; at Station F34B-r, April 11, 1938 to November 3, 1949; at Station F34C-R, November 4, 1949 to December 11, 1956; at Station F34D-R, December 11, 1956 to date.

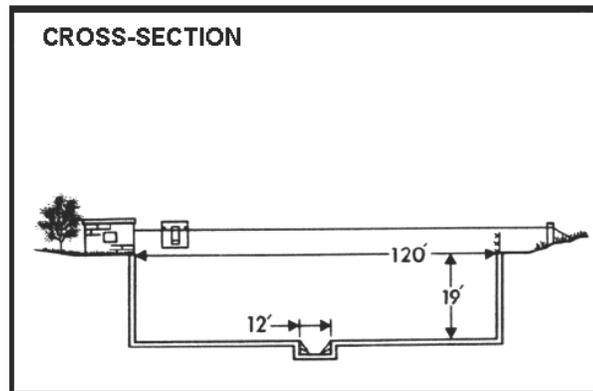
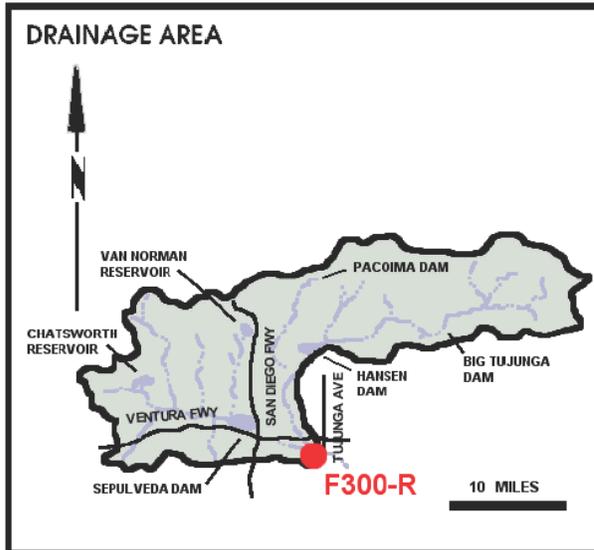
REMARKS subject to diversion from Big Tujunga Creek, Arroyo Seco, and other domestic irrigation diversions.

RUNOFF - STREAM GAGING STATION INFORMATION

LOS ANGELES RIVER

@ Tujunga Avenue

STATION NO. F300-R



RECORDER continuous water stage.

METHOD OF MEASUREMENT wading or from cable car.

DRAINAGE AREA 401 square miles.

LOCATION 200 feet above Tujunga Avenue bridge, Studio City.

REGULATION flow regulated by Sepulveda, Big Tujunga, Hansen, Pacoima Dams, Lopez Debris Dam, and Project No. 85 Diversion.

DIVERSION none.

CHANNEL concrete, rectangular section, 120 feet wide by 19 feet deep.

CONTROL channel forms control.

LENGTH OF RECORD from May 8, 1950 to date.

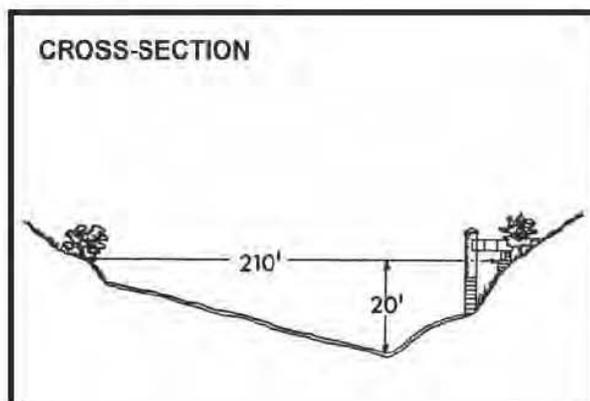
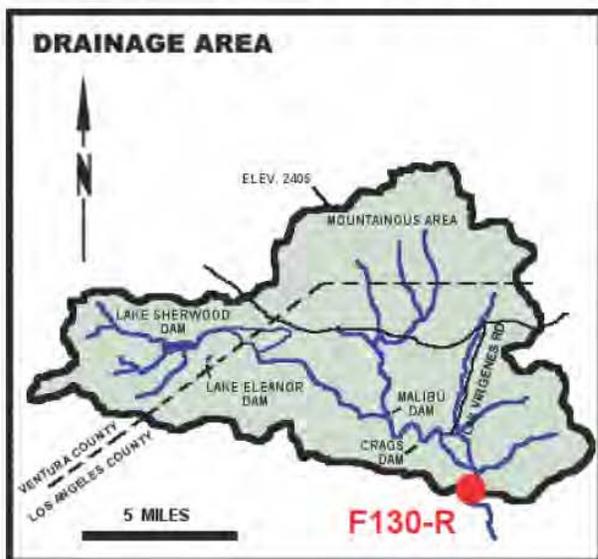
REMARKS subject to diversions at mouth of Big Tujunga and Pacoima Canyons for irrigation, at Big Tujunga, Branford, Hansen, and Pacoima Spreading Grounds.

RUNOFF - STREAM GAGING STATION INFORMATION

MALIBU CREEK

below Cold Creek

STATION NO. F130-R



RECORDER continuous water stage.

METHOD OF MEASUREMENT wading or from cable car.

DRAINAGE AREA 104.96 square miles.

LOCATION 0.2 mile downstream of Cold Creek, 6.0 miles southwest of Calabasas.

REGULATION Lake Sherwood Dam, Lake Eleanor Dam, Malibu Lake Dam and Crag's Dam. Other small recreational dams affect low summer flows.

DIVERSION none.

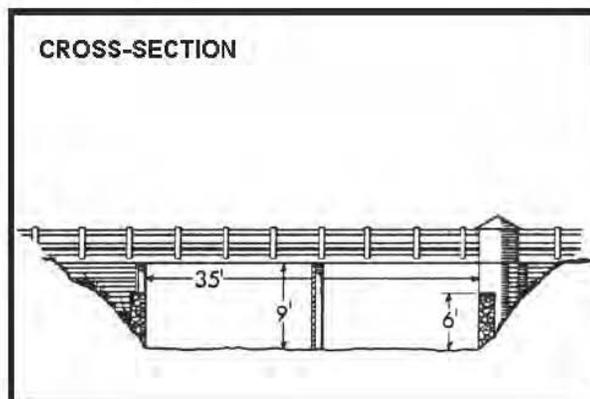
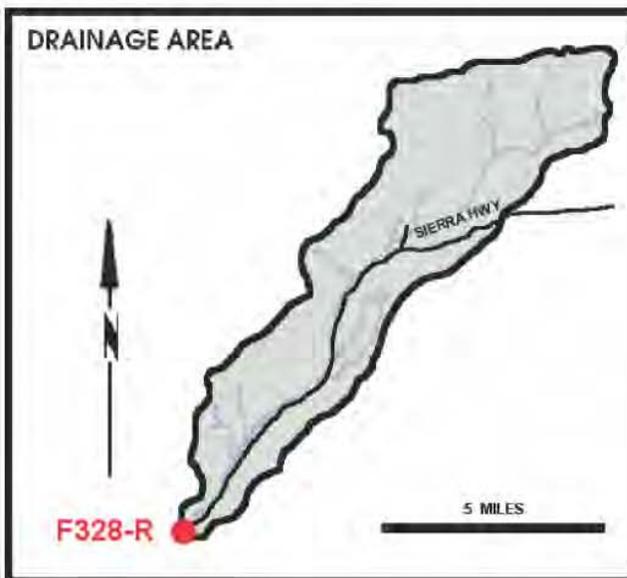
CHANNEL coarse sand and gravel, lined with trees and brush, natural in section.

CONTROL concrete stabilizer.

LENGTH OF RECORD January 17, 1931 to date.

REMARKS cableway washed out on January 25, 1969; no high flow measurements since that date.

RUNOFF - STREAM GAGING STATION INFORMATION

MINT CANYON CREEK**@ Fitch Avenue****STATION NO. F328-R**

RECORDER continuous water stage.

METHOD OF MEASUREMENT wading or from cable car.

DRAINAGE AREA 26.90 square miles.

LOCATION 8.5 miles northeast of Saugus on west end of Fitch Avenue bridge.

REGULATION none.

DIVERSION none.

CHANNEL natural, sand and gravel.

CONTROL concrete control at downstream end of bridge.

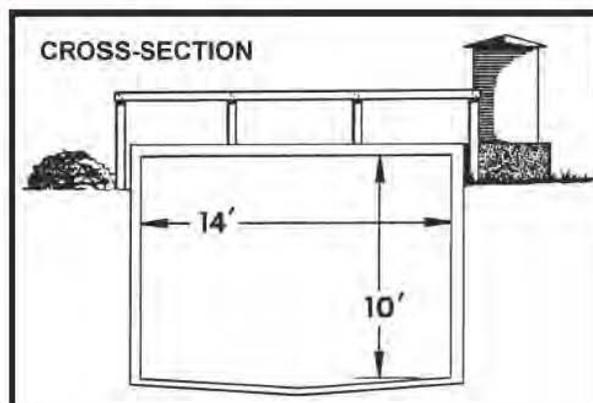
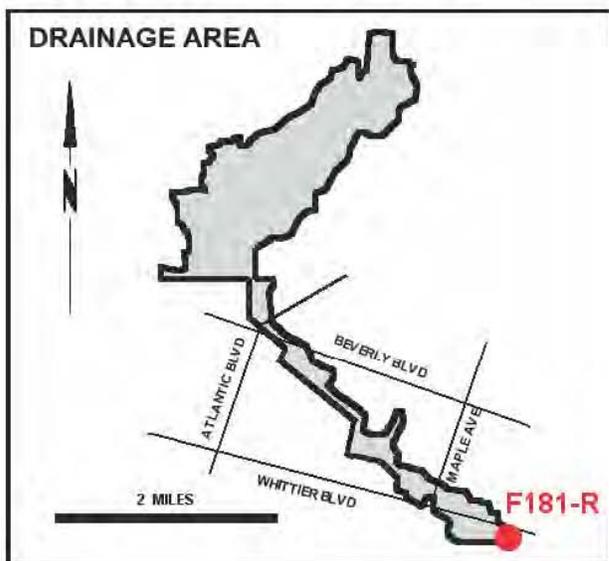
LENGTH OF RECORD October 26, 1956 to date.

RUNOFF - STREAM GAGING STATION INFORMATION

MONTEBELLO STORM DRAIN

outlet to Rio Hondo

STATION NO. F181-R



RECORDER continuous water stage.

METHOD OF MEASUREMENT wading or from footbridge.

DRAINAGE AREA 9.60 square miles.

LOCATION 150.0 feet east of Mines Avenue and 500.0 feet west of Rio Hondo.

REGULATION none.

DIVERSION none.

CHANNEL 14.0 foot by 10.0 foot concrete, box section.

CONTROL channel forms control.

LENGTH OF RECORD January 12, 1932 to date.

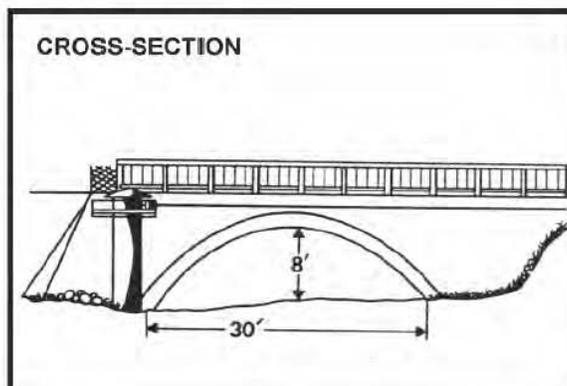
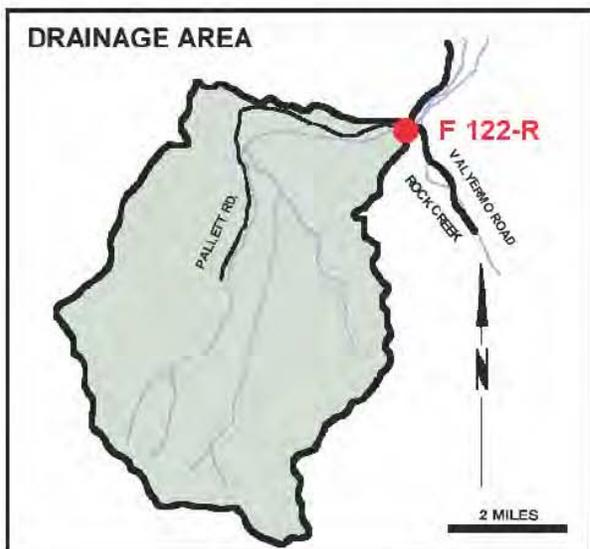
REMARKS may be affected by backwater during flood flows.

RUNOFF - STREAM GAGING STATION INFORMATION

PALLETT CREEK

@ Valyermo Highway

STATION NO. F122-R



RECORDER continuous water stage.

METHOD OF MEASUREMENT wading or from bridge.

DRAINAGE AREA 15.80 square miles.

LOCATION upstream side of Valyermo Highway bridge, 5.0 miles southeast of Pearblossom.

REGULATION none.

DIVERSION none.

CHANNEL sand and gravel, natural section.

CONTROL channel forms control for low flows; bridge form control for high flows.

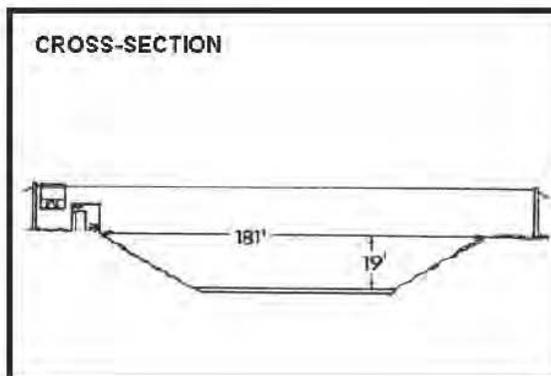
LENGTH OF RECORD at Station F122-S, December 29, 1930 to October 31, 1961; at Station F122-R, October 31, 1961 to date.

RUNOFF - STREAM GAGING STATION INFORMATION

RIO HONDO

above Stuart and Gray Road

STATION NO. F45B-R



RECORDER continuous water stage.

METHOD OF MEASUREMENT wading or from cable car.

DRAINAGE AREA 140 square miles.

LOCATION 0.6 mile upstream of the confluence of Rio Hondo and Los Angeles River, 1.5 miles west of Downey.

REGULATION partially regulated by Sierra Madre, Santa Anita, Sawpit, Eaton, Santa Fe, and Whittier Narrows Dams, several debris basins, and spreading grounds.

DIVERSION none.

CHANNEL concrete with rip-rap side slopes, trapezoidal in section.

CONTROL channel forms control.

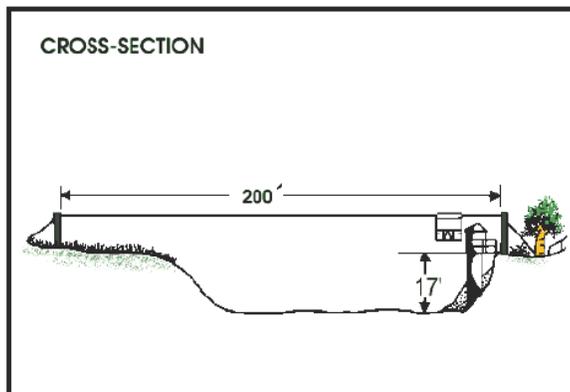
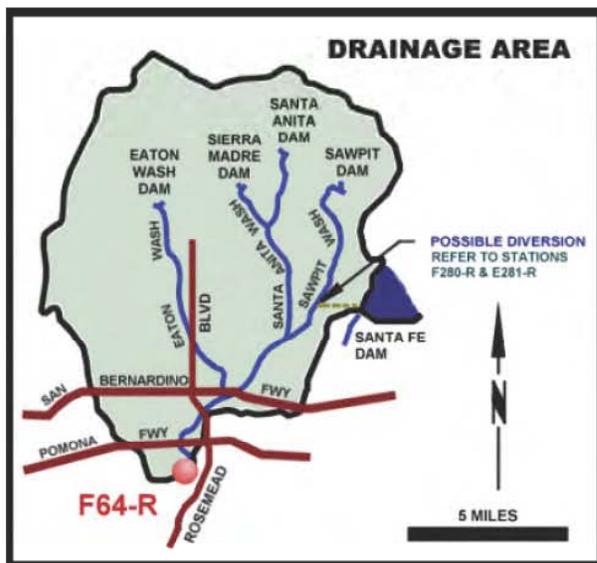
LENGTH OF RECORD at Station F45-R, March 1, 1928 to April 18, 1951; at Station F45B-R, October 31, 1951 to date.

REMARKS subject to diversions from Eaton Creek, Monrovia Creek, Sawpit Creek, Little Santa Anita Canyon, and other locations for irrigation and spreading. High flows from San Gabriel River may flow into Rio Hondo above Whittier Narrows Dam.

RUNOFF - STREAM GAGING STATION INFORMATION

RIO HONDO

above Mission Bridge
STATION NO. F64-R



RECORDER 5 min. interval data logger.

METHOD OF MEASUREMENT wading or from cable car.

DRAINAGE AREA 115 square miles.

LOCATION 1,000 feet above San Gabriel Boulevard, west of Rosemead Boulevard, 2.0 miles northeast of Montebello.

REGULATION partially regulated by Sierra Madre, Santa Anita, Sawpit, Eaton, and Santa Fe Dams and several debris basins.

DIVERSION none.

CHANNEL sand and silt, natural in section.

CONTROL none.

LENGTH OF RECORD July 1, 1928 to date.

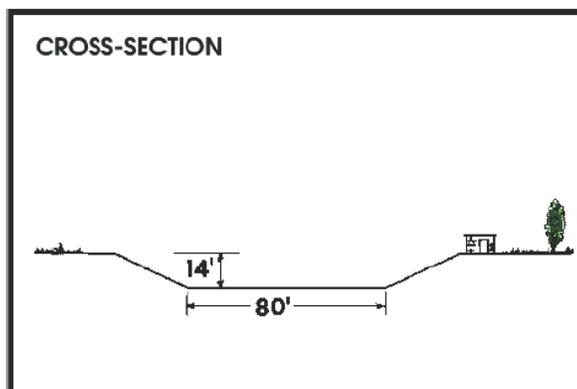
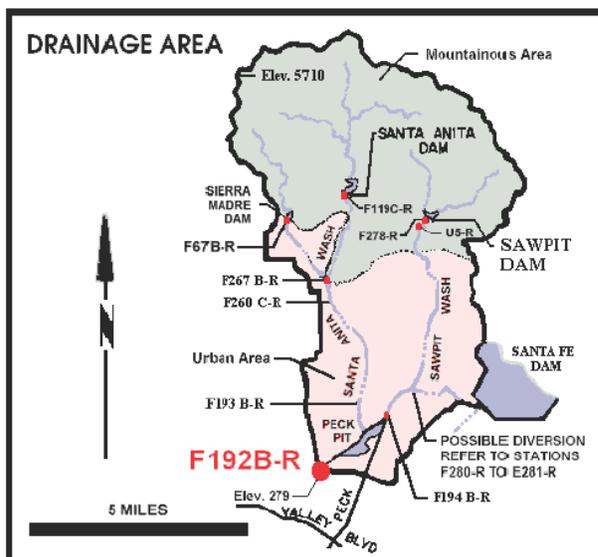
REMARKS subject to diversion; water purchased from the MWD passes this station for spreading in the coastal basin.

RUNOFF - STREAM GAGING STATION INFORMATION

RIO HONDO

below Lower Azusa Avenue

STATION NO. F192B-R



RECORDER 5 min. interval data logger.

METHOD OF MEASUREMENT wading.

DRAINAGE AREA 40.90 square miles.

LOCATION 300 feet downstream from Lower Azusa Road, 1.5 miles north of El Monte.

REGULATION partially regulated by Sierra Madre Dam, Santa Anita Dam, Sawpit Dam, Santa Fe Dam, Peck Pit, Buena Vista Pit, and several debris basins.

DIVERSION none.

CHANNEL concrete, trapezoidal section.

CONTROL channel forms control.

LENGTH OF RECORD at Station F192-R, February 22, 1932 to May 7, 1958; at Station F192B-R, May 7, 1958 to date.

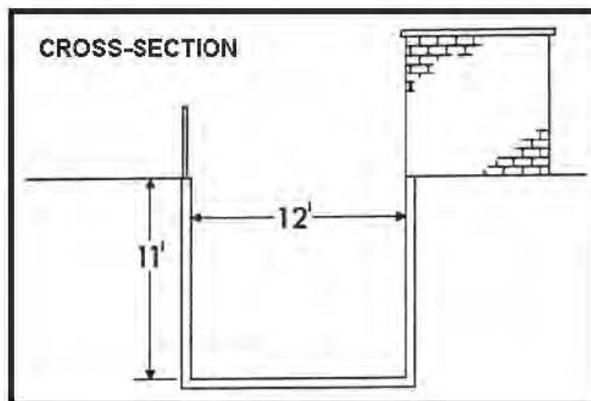
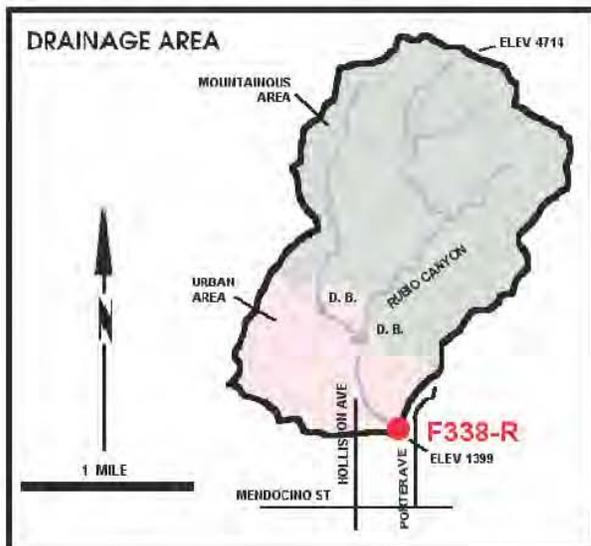
REMARKS subject to diversions from Monrovia, Sawpit, and Little Santa Anita Creeks. Also from the San Gabriel River below Santa Fe Dam; and from irrigation and spreading.

RUNOFF - STREAM GAGING STATION INFORMATION

RUBIO DIVERSION CHANNEL

below Gooseberry Inlet

STATION NO. F338-R



RECORDER 15 min. punch tape.

METHOD OF MEASUREMENT low flows measured by wading. High flows measured from steel footbridge 27 feet above station.

DRAINAGE AREA 2.10 square miles.

LOCATION on the north bank, 375 feet upstream of Crest Drive, 3.5 miles northeast of Pasadena.

REGULATION flow partially regulated by Rubio and Goosebury Debris Basins.

DIVERSION none.

CHANNEL rectangular concrete, 12 feet wide and 11 feet deep.

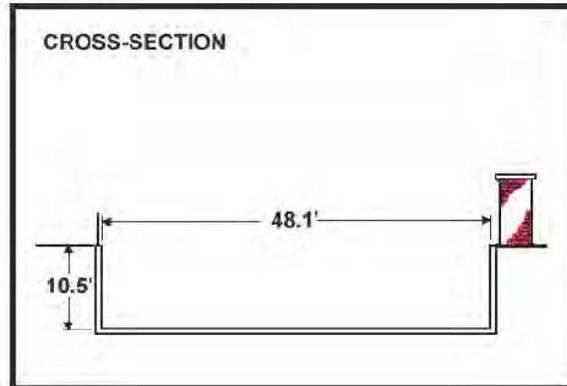
CONTROL channel forms control.

LENGTH OF RECORD December 16, 1959 to date.

RUNOFF - STREAM GAGING STATION INFORMATION

RUBIO WASH

@ Glendon Way
STATION NO. F82C-R



RECORDER 5 min. interval data logger.

METHOD OF MEASUREMENT low flows measured by wading. High flows measured from footbridge at station.

DRAINAGE AREA 10.90 square miles.

LOCATION on the east side of channel, 10 feet south of the westerly extension of Glendon Way, Rosemead.

REGULATION partly regulated by Las Flores and Rubio debris basins.

DIVERSION none.

CHANNEL rectangular concrete.

CONTROL channel forms control.

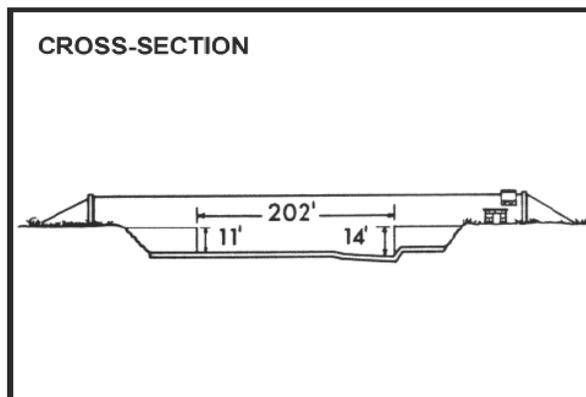
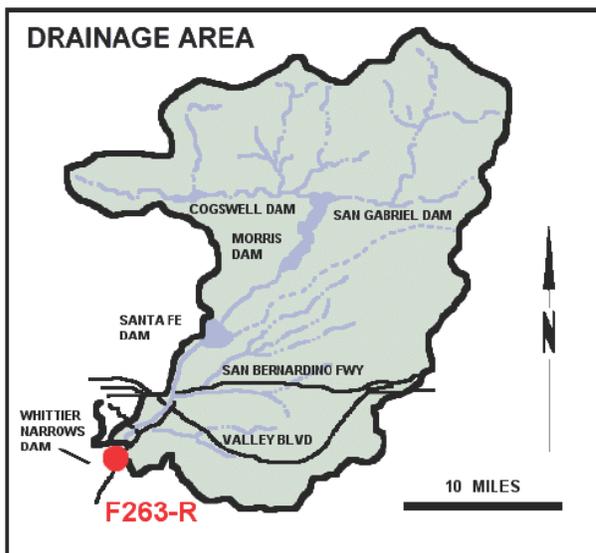
LENGTH OF RECORD see station summary.

RUNOFF - STREAM GAGING STATION INFORMATION

SAN GABRIEL RIVER

below San Gabriel River Parkway

STATION NO. F263C-R



RECORDER continuous water stage.

METHOD OF MEASUREMENT wading or from cable car.

DRAINAGE AREA 206.30 square miles.

LOCATION 462 feet below San Gabriel River Parkway, 1.4 miles northeast of Pico Rivera.

REGULATION partially regulated by Santa Fe, Big Dalton, Puddingstone Diversion, Puddingstone, and Thompson Creek Dams. Flows may include imported water from several Metropolitan Water District outlets. Waters at times diverted to the Zone one ditch, upstream of Whittier Narrows Dam.

DIVERSION none.

CHANNEL rip-rap slopes with sand bottom trapezoidal section.

CONTROL concrete stabilizer.

LENGTH OF RECORD at Station F263-R, February 4, 1937 to March 6, 1952; at Station F263B-R, March 6, 1952 to August 9, 1968; at Station F263C-R, August 9, 1968 to date.

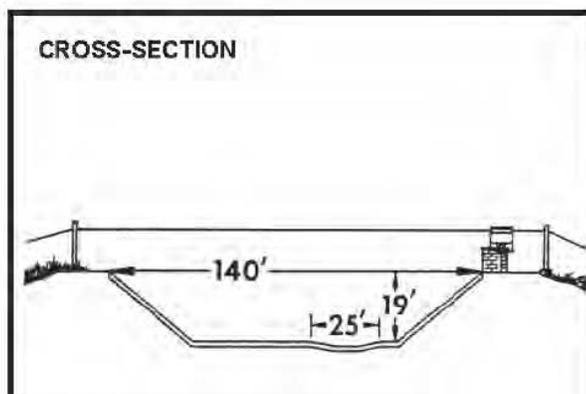
REMARKS

RUNOFF - STREAM GAGING STATION INFORMATION

SAN GABRIEL RIVER

above Spring Street

STATION NO. F42B-R



RECORDER continuous water stage.

METHOD OF MEASUREMENT wading or from cable car.

DRAINAGE AREA 231 square miles.

LOCATION 455 feet north of Spring Street, 4.0 miles east of Signal Hill, Long Beach.

REGULATION partially regulated by Cogswell, San Gabriel, Morris, Santa Fe, Big Dalton, San Dimas, Puddingstone Diversion, Puddingstone, Live Oak, Thompson Creek, and Whittier Narrows Dams, Several debris basins, MWD outlet, and several spreading grounds.

DIVERSION none.

CHANNEL concrete, trapezoidal section with low flow channel.

CONTROL channel forms control.

LENGTH OF RECORD at Station F42-R, February 6, 1928 to May 26, 1964; at Station F42B-R, November 16, 1964 to date.

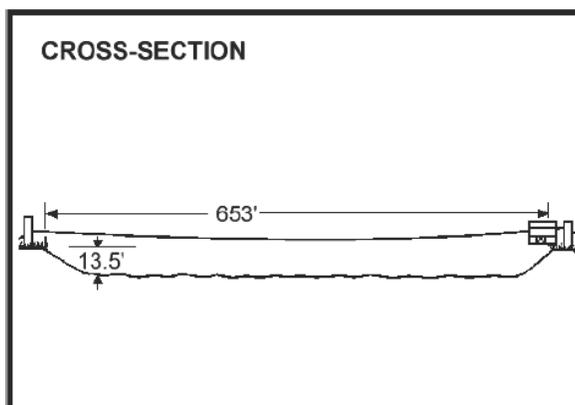
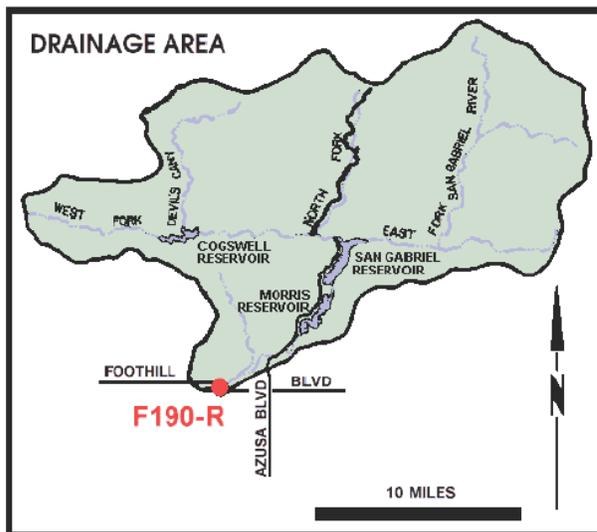
REMARKS high flows into Whittier Narrows Reservoir are partially diverted to the Rio Hondo.

RUNOFF - STREAM GAGING STATION INFORMATION

SAN GABRIEL RIVER

@ Foothill Blvd.

STATION NO. F190-R



RECORDER 5 min. interval data logger.

METHOD OF MEASUREMENT wading or from cable car.

DRAINAGE AREA 230 square miles.

LOCATION downstream side of Foothill Boulevard bridge, 2 miles west of Azusa.

REGULATION partially regulated by Cogswell, San Gabriel, and Morris Dams.

DIVERSION none.

CHANNEL sand, gravel and rock, trapezoidal section with soft bottom.

CONTROL gunited rock stabilizers.

LENGTH OF RECORD February 22, 1932 to date.

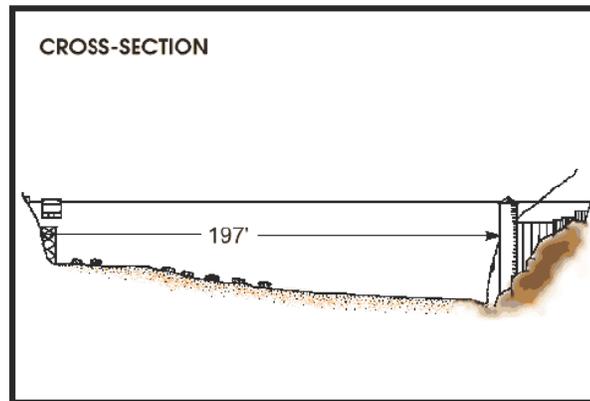
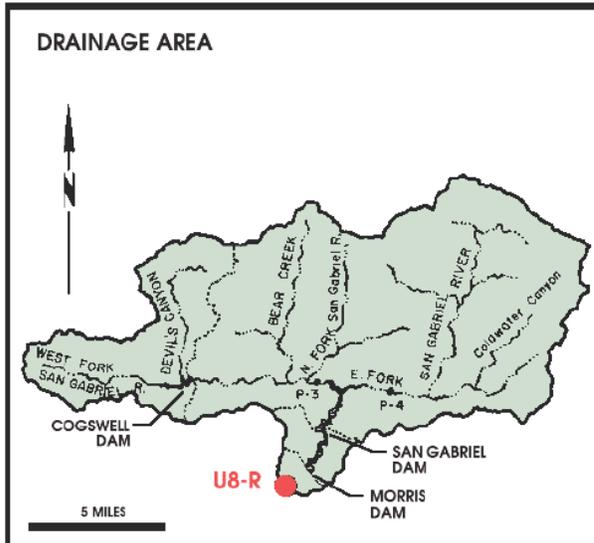
REMARKS flows may include imported originating at the Metropolitan Water District outlet below Morris Dam.

RUNOFF - STREAM GAGING STATION INFORMATION

SAN GABRIEL RIVER

below Morris Dam

STATION NO. U8-R



RECORDER 5 min. interval data logger.

METHOD OF MEASUREMENT wading or from cable car.

DRAINAGE AREA 212.4 square miles.

LOCATION 1.1 miles downstream of Morris Dam, 27 miles northeast of Azusa.

REGULATION all flows regulated by Cogswell Dam, 27 miles northeast of Azusa.

DIVERSION none.

CHANNEL gravel and boulder, natural section.

CONTROL concrete control.

LENGTH OF RECORD May 1894 to date.

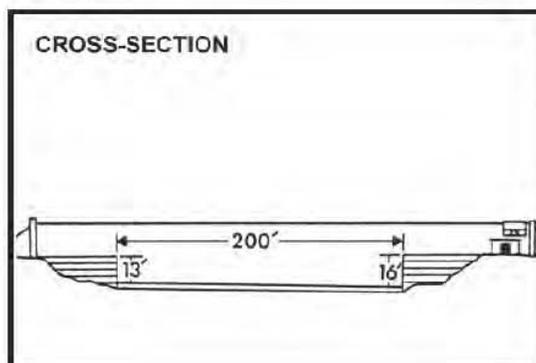
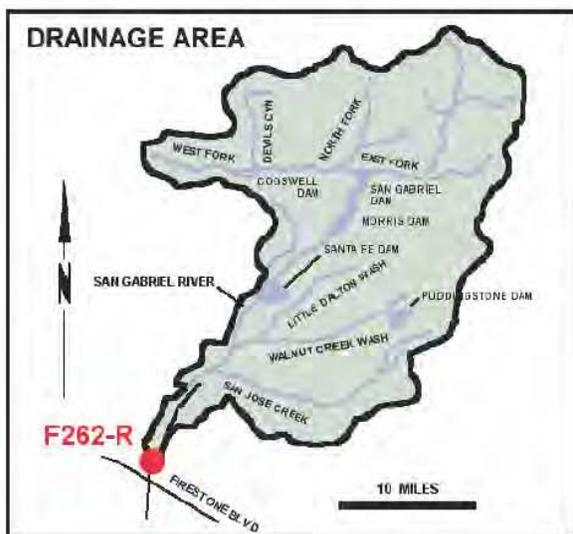
REMARKS flows up to 90 cfs are at times diverted past the station through the Azusa Conduit, flows at station may include imported water from the MWD outlet below Morris Dam.

RUNOFF - STREAM GAGING STATION INFORMATION

SAN GABRIEL RIVER

above Florence Avenue

STATION NO. F262C-R



RECORDER continuous water stage.

METHOD OF MEASUREMENT wading or from cable car.

DRAINAGE AREA 215.80 square miles.

LOCATION 1,400 feet above Florence Avenue, 2 miles east of Downey.

REGULATION partially regulated by Cogswell, San Gabriel, Morris, Santa Fe, Big Dalton, San Dimas, Puddingstone Diversion, Puddingstone, Live Oak, Thompson Creek, and Whittier Narrows Dams, Several debris basin, MWD outlets, and several spreading grounds.

DIVERSION none.

CHANNEL sand bottom with rip-rap slopes, trapezoidal section.

CONTROL concrete stabilizer.

LENGTH OF RECORD at Station F267-R, February 27, 1937 to September 30, 1967; at Station F262B-R, August 6, 1968 to date.

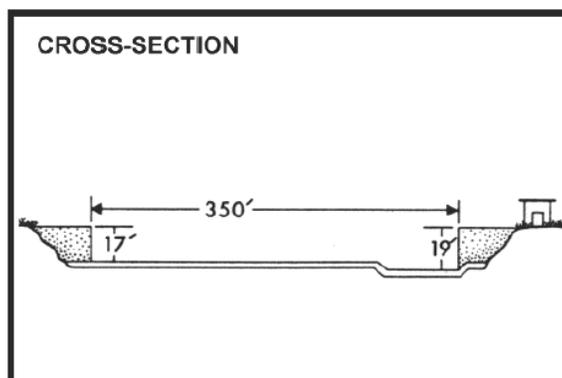
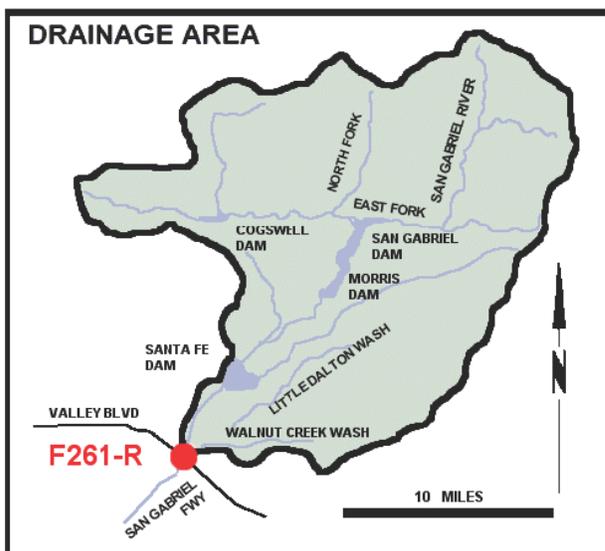
REMARKS no recording during 1967-1968 season due to channel construction.

RUNOFF - STREAM GAGING STATION INFORMATION

SAN GABRIEL RIVER

below Valley Blvd.

STATION NO. F261C-R



RECORDER continuous water stage.

METHOD OF MEASUREMENT wading.

DRAINAGE AREA 118.00 square miles.

LOCATION 1,150.0 feet below Valley Boulevard, 2.5 miles east of El Monte.

REGULATION partially regulated by Santa Fe, Big Dalton, Puddingstone Diversion, and Puddingstone Dams.

DIVERSION none.

CHANNEL sand and gravel bottom with rip-rap side slopes; trapezoidal section.

CONTROL concrete stabilizer with low-flow notch.

LENGTH OF RECORD at Station F261-R, March 11, 1937 to September 30, 1941; at Station F361B-R, October 1, 1941 to April 23, 1946; at Station F261C-R, November 29, 1960 to date.

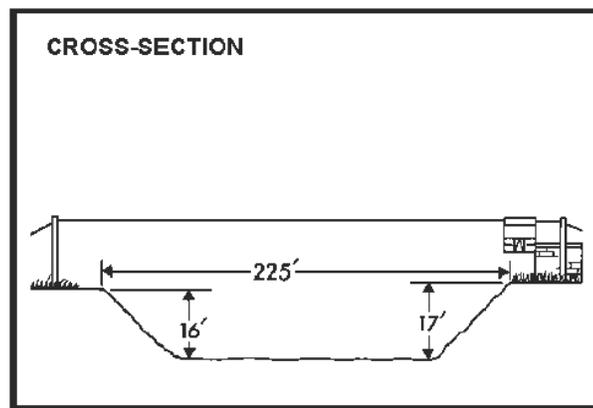
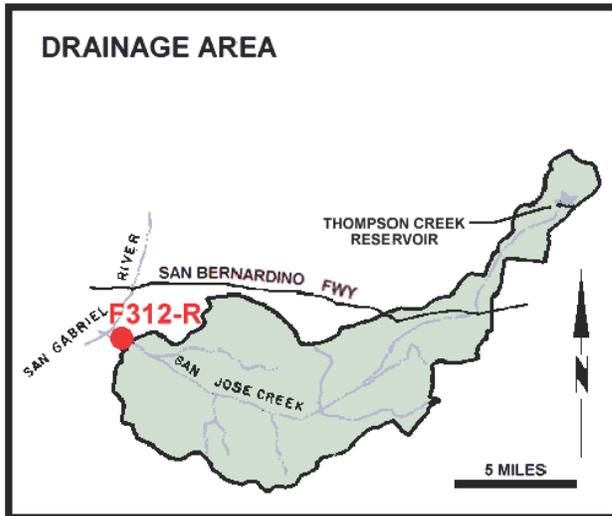
REMARKS flows may include imported water originating at Metropolitan Water District outlets at San Dimas Canyon and below San Bernardino Road.

RUNOFF - STREAM GAGING STATION INFORMATION

SAN JOSE CHANNEL

below Seventh Avenue

STATION NO. F312B-R



RECORDER 5 min. interval data logger.

METHOD OF MEASUREMENT wading or from cable car.

DRAINAGE AREA 83.4 square miles.

LOCATION 1,650 feet above Workman Mill Road, 3 miles southeast of El Monte.

REGULATION partially regulated by Thompson Creek Dam and Pomona Sewage Treatment Plant.

DIVERSION none.

CHANNEL grouted rip-rap side slopes with natural bottom, trapezoidal section.

CONTROL rock stabilizer.

LENGTH OF RECORD September 13, 1955 to date.

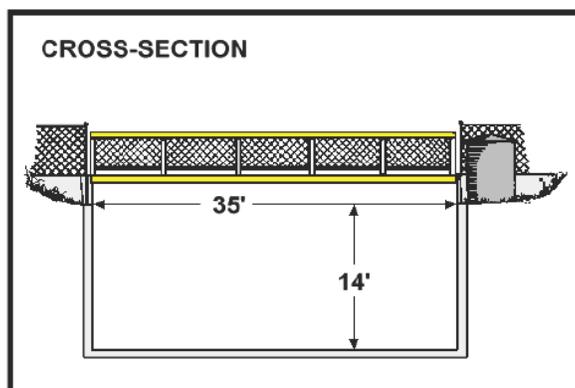
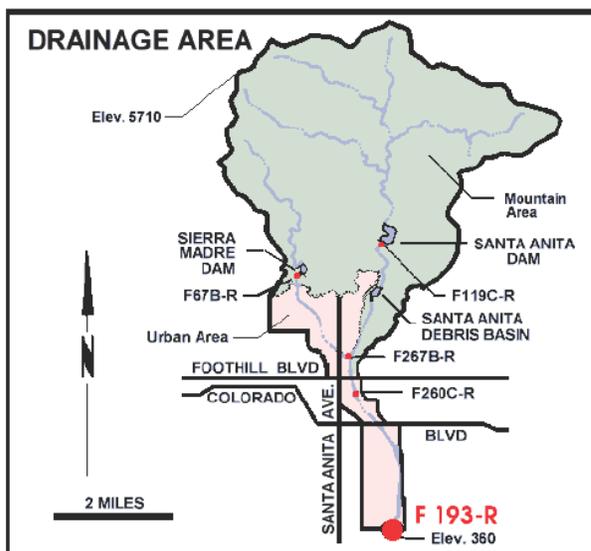
REMARKS

RUNOFF - STREAM GAGING STATION INFORMATION

SANTA ANITA WASH

@ Longden Avenue

STATION NO. F193B-R



RECORDER 5 min. interval data logger.

METHOD OF MEASUREMENT wading or from bridge.

DRAINAGE AREA 18.80 square miles.

LOCATION 30.0 feet above Longden Avenue, 1.5 miles south of Arcadia.

REGULATION regulated by Santa Anita and Sierra Madre Dams, and Santa Anita Debris Basin.

DIVERSION none.

CHANNEL concrete, rectangular section.

CONTROL channel forms control.

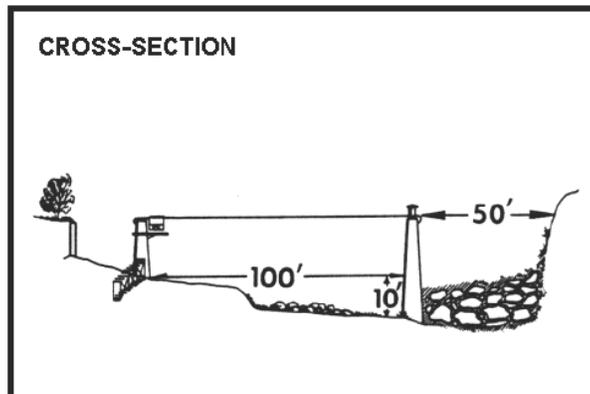
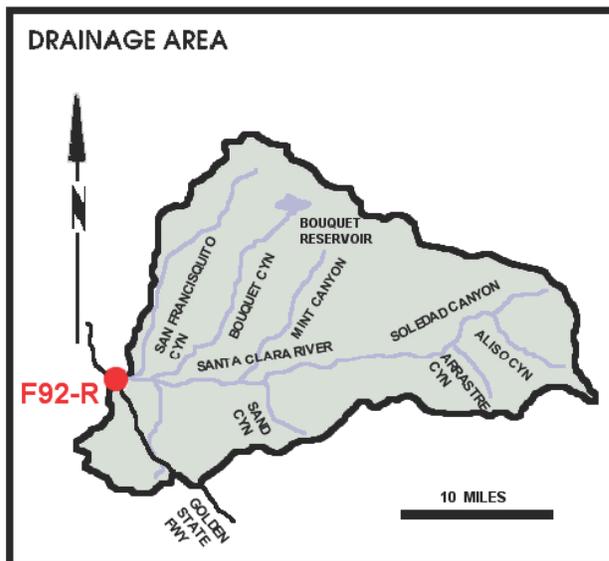
LENGTH OF RECORD at Station F193-R, April 25, 1932 to March 1, 1938; at Station F193B-R, January 5, 1960 to date.

RUNOFF - STREAM GAGING STATION INFORMATION

SANTA CLARA RIVER

@ Old Road Bridge

STATION NO. F92C-R



RECORDER continuous water stage.

METHOD OF MEASUREMENT wading or from cable car.

DRAINAGE AREA 410.40 square miles.

LOCATION downstream side of Old Highway bridge, 3 miles west of Saugus.

REGULATION partially regulated by Bouquet Canyon and Dry Canyon Reservoirs.

DIVERSION none.

CHANNEL sand and gravel with brush, natural section.

CONTROL none.

LENGTH OF RECORD at Station F92-R, January 18, 1930 to March 28, 1938, and September 24, 1956 to date; at Station F92B-R, October 1, 1938 to September 24, 1956.

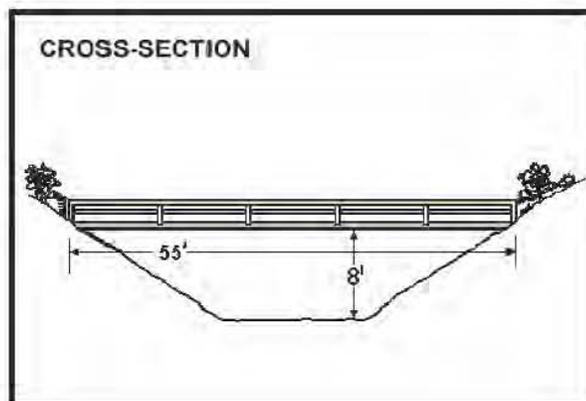
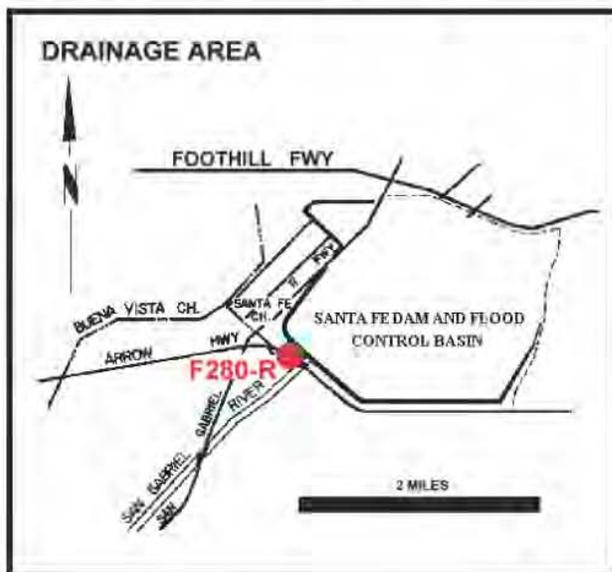
REMARKS subject to diversions for irrigation.

RUNOFF - STREAM GAGING STATION INFORMATION

SANTA FE DIVERSION CHANNEL

below Santa Fe Dam

STATION NO. F280-R



RECORDER 5 min. interval data logger.

METHOD OF MEASUREMENT wading or from footbridge.

DRAINAGE AREA Controlled square miles.

LOCATION 400 feet downstream of Santa Fe Dam outlet and 1.5 miles north of Baldwin Park.

REGULATION flow regulated by five gates of stilling basin outlet of Santa Fe Dam.

DIVERSION none.

CHANNEL sand and gravel, natural section.

CONTROL concrete stabilizer.

LENGTH OF RECORD at Station F280-S, October 1, 1942 to May 12, 1944; at Station F280-R, May 12, 1944 to date.

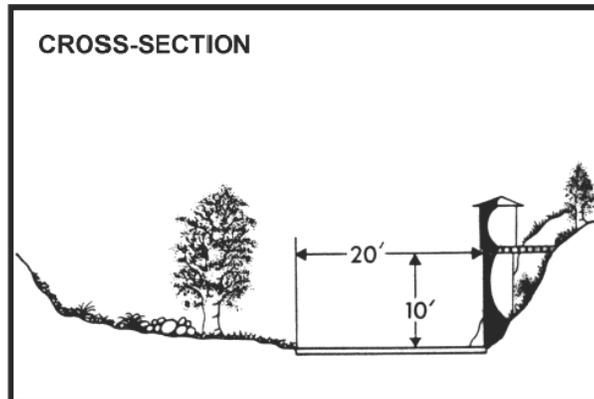
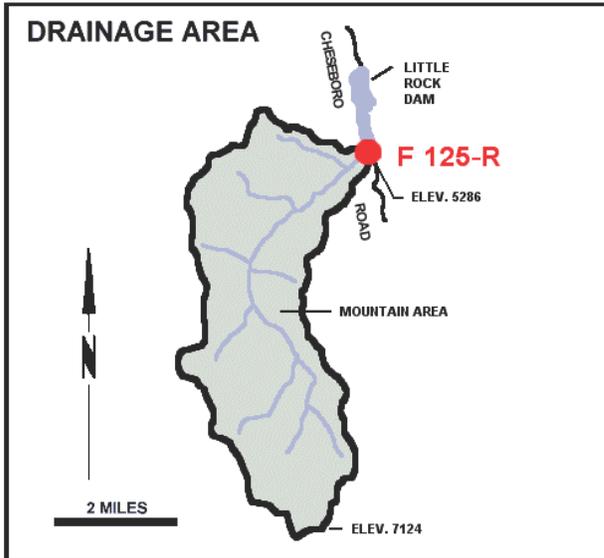
REMARKS

RUNOFF - STREAM GAGING STATION INFORMATION

SANTIAGO CREEK

above Little Rock Creek

STATION NO. F125-R



RECORDER continuous water stage.

METHOD OF MEASUREMENT wading.

DRAINAGE AREA 11.20 square miles.

LOCATION 1,000 feet above Little Creek and 4.5 miles south of Little Rock.

REGULATION none.

DIVERSION none.

CHANNEL sand, gravel and boulders.

CONTROL concrete and rubble wall.

LENGTH OF RECORD September 29, 1953 to date.

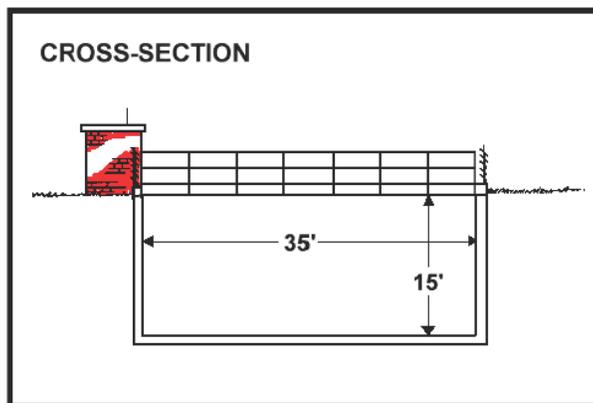
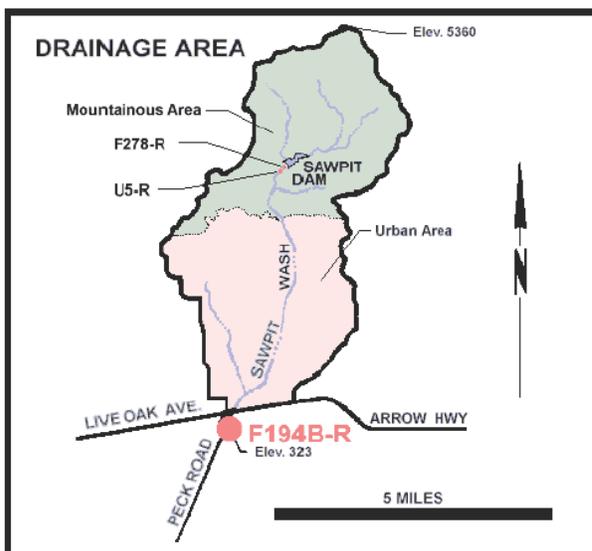
REMARKS no high flow measurements.

RUNOFF - STREAM GAGING STATION INFORMATION

SAWPIT WASH

below Live Oak Avenue

STATION NO. F194B-R



RECORDER 5 min. interval data logger.

METHOD OF MEASUREMENT wading from footbridge.

DRAINAGE AREA 16.10 square miles.

LOCATION 1,500 feet below Arrow Highway, 3.0 miles south of Monrovia.

REGULATION partially regulated by Sawpit and Santa Fe Dams, and several debris basins.

DIVERSION none.

CHANNEL concrete, rectangular section.

CONTROL channel forms control.

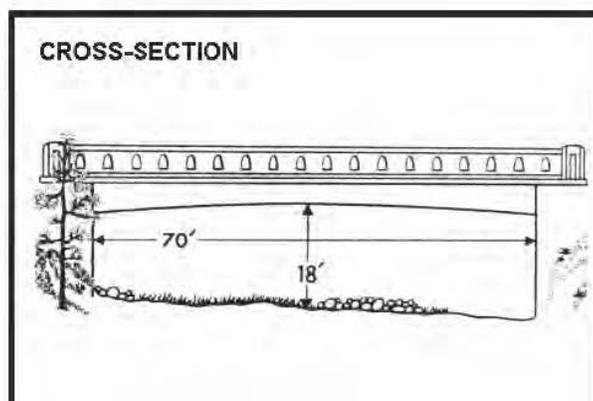
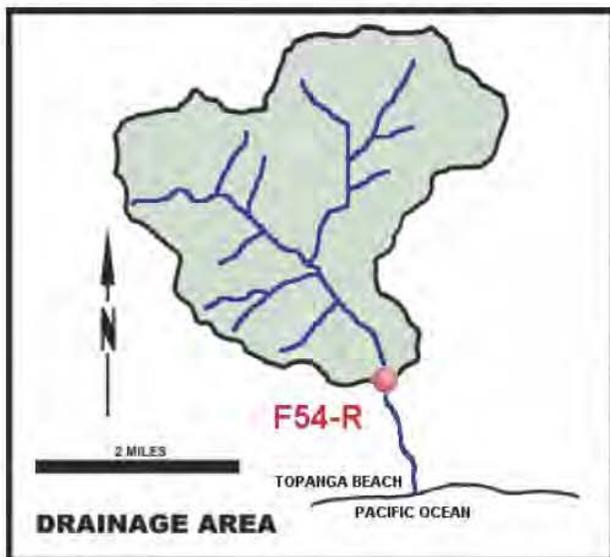
LENGTH OF RECORD at Station F194-R, February 22, 1932 to September 1, 1935; at Station F194B-R, December 5, 1960 to date.

RUNOFF - STREAM GAGING STATION INFORMATION

TOPANGA CREEK

above Mouth of Canyon

STATION NO. F54C-R



RECORDER continuous water stage.

METHOD OF MEASUREMENT wading.

DRAINAGE AREA 18.00 square miles.

LOCATION downstream side to Topanga Canyon Road bridge, 2.0 miles north of Topanga Beach.

REGULATION none.

DIVERSION none.

CHANNEL rock and gravel, natural section.

CONTROL none.

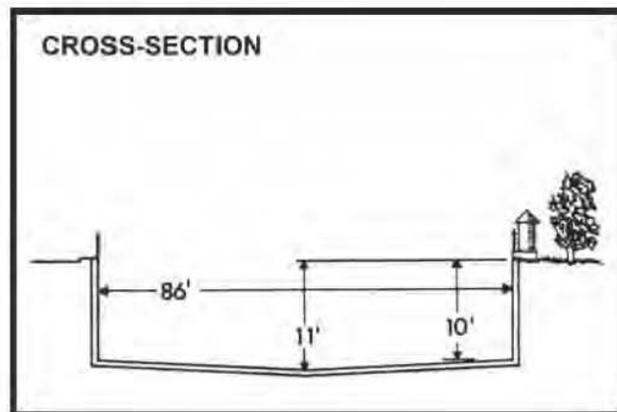
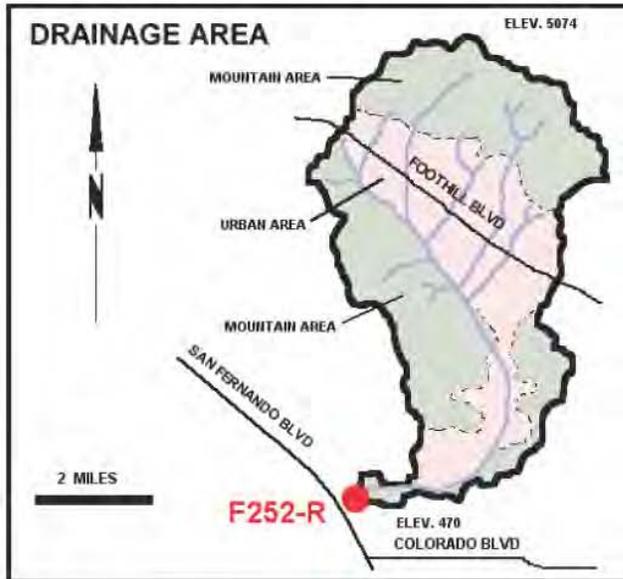
LENGTH OF RECORD at Station F54-R, January 1, 1930 to June 4, 1940; at Station F54B-R, June 5, 1940 to January 31, 1990; at Station 54C-R, October 1, 1997 to date.

RUNOFF - STREAM GAGING STATION INFORMATION

VERDUGO WASH

@ Estelle Avenue

STATION NO. F252-R



RECORDER continuous water stage.

METHOD OF MEASUREMENT wading or from Concord Street bridge.

DRAINAGE AREA 26.80 square miles.

LOCATION 800 feet east of San Fernando Road, 2.0 miles northwest of Glendale.

REGULATION partially regulated by several debris basins.

DIVERSION none.

CHANNEL concrete, rectangular section.

CONTROL channel forms control.

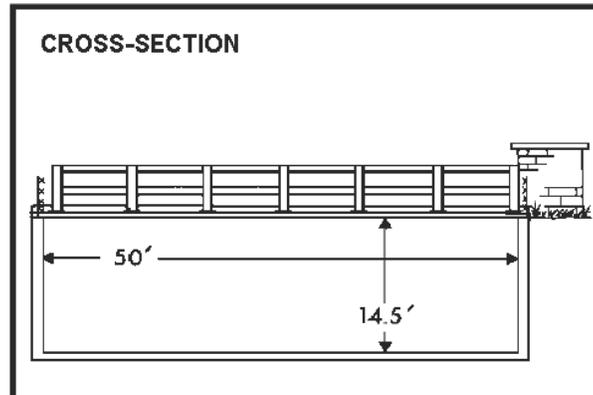
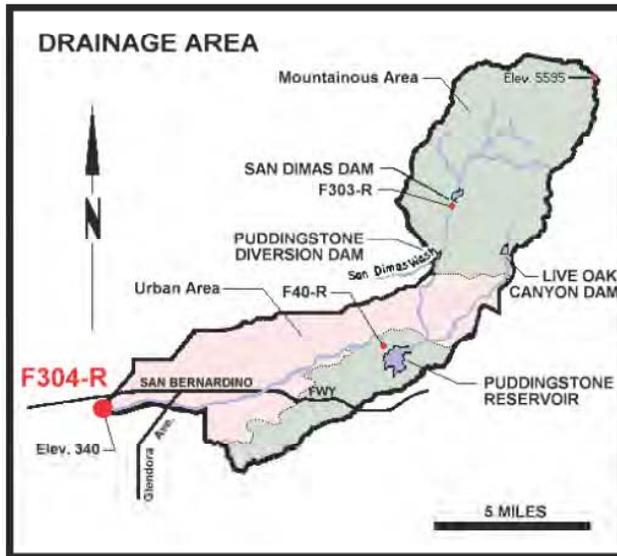
LENGTH OF RECORD December 2, 1935 to date.

RUNOFF - STREAM GAGING STATION INFORMATION

WALNUT CREEK

above Puente Avenue

STATION NO. F304-R



RECORDER 5 min. interval data logger.

METHOD OF MEASUREMENT wading or from footbridge.

DRAINAGE AREA 57.60 square miles.

LOCATION 845.0 feet upstream of Puente Avenue bridge, Baldwin park.

REGULATION partially regulated by San Dimas, Puddingstone Diversion, Puddingstone, and Live Oak Dams.

DIVERSION none.

CHANNEL concrete, rectangular section.

CONTROL channel forms control.

LENGTH OF RECORD October 14, 1952 to April 11, 1961, January 3, 1962 to date.

REMARKS no record during April 11, 1961 to January 3, 1962 due to channel construction.

APPENDIX C

HYDROLOGIC REPORT 2001 – 2002

RUNOFF – DAILY DISCHARGE

RUNOFF - DAILY DISCHARGE

Los Angeles County Dept of Public Works

USDAY V30 Output 07/17/2003

Summary Report

Station: F81D Alhambra Wash Near Klingerman Street
 USGS #:
 Beginning Date: 10/01/2001
 Ending Date: 09/30/2002

Daily Mean Discharge in Cubic feet/second Water Year Oct 2001 to Sep 2002

Day	OCT	NOV	DEC	JAN	FEB	MAR	APR	MAY	JUN	JUL	AUG	SEP
1	3.7	2.7	3.9	1.7	1.9	8.8	2.0	19	1.0	4.4	3.3	4.1
2	3.3	2.1	3.7	1.6	1.9	8.8	2.1	19	.94	5.2	2.4	4.2
3	3.4	1.8	3.2	9.2	1.8	8.8	2.2	19	.89	5.4	2.3	4.2
4	3.3	1.8	3.2	1.9	1.7	8.8	2.1	19	.84	4.7	2.8	4.4
5	3.2	1.6	1.7	1.5	1.8	8.8	2.5	19	.95	4.0	2.7	4.5
6	3.2	1.6	1.7	1.5	1.8	11	2.5	20	1.1	2.6	2.4	4.5
7	3.0	1.7	1.6	1.5	2.0	34	2.7	21	1.1	1.9	2.1	4.7
8	2.9	1.8	1.5	1.6	2.6	10	2.8	18	1.2	1.8	2.1	4.7
9	3.1	1.7	1.6	1.8	2.3	8.9	3.0	14	1.1	1.8	2.2	5.2
10	3.2	1.7	1.8	1.5	2.0	8.8	3.2	13	1.2	1.8	2.0	5.3
11	2.8	2.0	1.9	1.8	1.8	8.8	3.7	14	1.3	1.8	1.8	5.6
12	2.5	.71	1.6	2.0	1.8	8.8	7.9	14	1.3	1.8	2.0	6.3
13	2.1	7.2	1.5	1.7	2.0	9.3	14	17	1.3	1.8	2.1	6.9
14	2.1	2.6	.26	1.8	2.0	9.4	15	17	1.4	1.8	2.3	7.8
15	2.1	2.1	3.7	1.8	2.0	10	17	16	1.4	1.8	2.5	8.0
16	2.1	1.8	1.8	.18	2.0	11	13	18	1.3	1.8	2.4	8.6
17	2.1	1.8	1.6	3.3	.53	39	14	16	1.4	1.9	2.3	8.3
18	2.1	1.7	1.7	2.1	3.8	15	15	14	1.5	2.5	1.9	8.5
19	2.1	9.4	1.8	1.8	2.2	11	12	5.3	1.6	5.2	2.2	9.1
20	2.1	4.5	.73	1.7	3.2	10	8.9	28	1.6	7.4	2.4	9.9
21	2.1	3.6	.41	1.9	8.4	10	8.5	6.7	1.9	4.9	2.3	10
22	2.1	3.1	2.6	1.8	8.8	4.1	10	5.7	1.9	6.2	4.1	11
23	2.2	2.7	2.0	1.5	8.8	3.3	18	2.3	1.7	3.2	5.5	11
24	2.4	326	1.9	1.5	8.8	2.7	21	1.3	1.9	2.4	6.5	12
25	2.4	.14	6.0	1.5	8.8	2.6	15	1.2	1.9	2.4	6.5	13
26	2.4	4.4	2.8	1.5	8.5	2.5	15	1.1	2.1	2.1	6.7	15
27	2.4	3.7	2.0	161	8.5	2.2	16	1.1	4.0	2.2	5.0	20
28	2.4	3.7	1.9	.25	8.5	2.2	17	1.1	3.7	2.3	3.9	21
29	2.3	.21	.25	3.2	-----	2.1	17	1.1	3.5	2.1	3.3	33
30	2.6	5.1	3.9	2.0	-----	2.3	18	1.2	3.7	2.3	3.2	7.4
31	3.5	-----	2.7	1.7	-----	2.1	-----	1.2	-----	5.2	3.5	-----
Total	81.2	509.9	259.1	262.4	162.7	285.1	301.1	364.3	50.72	96.7	96.7	278.2
Mean	2.62	17.0	8.36	8.46	5.81	9.20	10.0	11.8	1.69	3.12	3.12	9.27
Max	3.7	326	73	161	53	39	21	28	4.0	7.4	6.7	33
Min	2.1	1.6	1.5	1.5	1.7	2.1	2.0	1.1	.84	1.8	1.8	4.1
Acre-Ft	161	1010	515	521	322	562	600	724	101	191	192	554
Wtr Year 2002	Total	2748.12	Mean	7.53	Max	326	Min	.84	Acre-Ft	5450		
Cal Year 2001	Total	4223.76	Mean	11.6	Max	404	Min	.80	Acre-Ft	8370		

RUNOFF - DAILY DISCHARGE

Los Angeles County Dept of Public Works

USDAY V30 Output 04/29/2003

Summary Report

Station: F317 Arcadia Wash Below Grand Avenue
 USGS #:
 Beginning Date: 10/01/2001
 Ending Date: 09/30/2002

Daily Mean Discharge in Cubic feet/second Water Year Oct 2001 to Sep 2002

Day	OCT	NOV	DEC	JAN	FEB	MAR	APR	MAY	JUN	JUL	AUG	SEP
1	2.5	2.4	.97	.76	.71	.81	.77	.99	.99	.99	1.2	.86
2	2.3	2.3	1.2	.79	.64	.78	.72	.97	.85	.87	1.1	1.5
3	2.3	2.2	.23	1.9	.68	.76	.73	.96	.92	.97	.93	1.7
4	2.4	2.1	.84	.77	.63	.75	.71	.95	.94	.98	.85	1.5
5	2.4	2.0	.76	.74	.71	.72	.77	.93	.84	1.0	.98	1.4
6	2.2	2.0	.71	.74	.80	2.4	.75	.92	.88	.84	.89	1.2
7	2.0	2.1	.73	.74	.71	.22	.78	.91	.84	.89	.89	.95
8	1.8	1.8	.72	.75	.69	1.2	.85	.84	.80	1.0	.90	.88
9	2.0	1.7	.74	.83	.67	1.0	.61	.79	.90	1.0	.82	1.0
10	2.1	1.7	.74	.75	.63	1.0	.91	.81	.98	1.0	.96	.95
11	2.0	6.4	.81	1.3	.65	1.1	.82	.81	.78	.84	.93	.88
12	1.8	.42	.80	7.5	.63	1.1	.81	.79	.87	1.0	1.1	.97
13	1.7	1.3	3.1	.77	.83	1.0	.70	.84	.95	.98	1.1	.87
14	1.6	.82	.34	.81	.89	.90	.79	.93	1.2	.92	1.1	.80
15	1.5	.79	.75	.75	.81	.90	1.0	.98	.97	1.1	1.2	.79
16	1.4	.81	.64	.22	.78	.86	.66	.75	.85	1.0	1.2	.87
17	1.0	.85	.72	.76	.34	.25	.69	.84	1.0	.96	1.2	.87
18	.94	.84	.65	.75	.69	1.6	.66	.87	.83	1.1	1.1	.79
19	1.4	.87	.66	.73	.62	.56	.70	1.1	1.1	1.0	1.2	.94
20	1.2	.86	.36	.69	.67	.59	.77	.20	.96	1.0	1.2	.90
21	1.3	1.0	.24	.73	.68	.60	.77	.67	1.5	1.2	1.0	.73
22	1.3	.88	.68	.75	.75	.63	1.1	.66	.88	1.1	1.0	.78
23	1.2	.83	.61	.81	.78	.94	1.0	.92	.81	.98	1.1	.86
24	1.3	161	.60	.83	.77	.80	.90	.81	.93	.89	1.0	.85
25	1.3	3.1	.57	.96	.76	.73	.90	.71	.87	.98	1.0	.86
26	1.5	1.0	.59	1.3	.72	.76	.86	.73	.94	.95	1.1	.86
27	1.8	.90	.65	102	.79	.77	.81	.76	.92	.93	1.1	.91
28	1.3	.89	.74	.18	.77	.78	.81	.84	.90	.99	1.2	.98
29	1.3	.10	.15	.74	-----	.76	.77	1.0	1.0	1.3	.88	3.3
30	2.5	.95	.87	.59	-----	.68	.73	.82	.93	2.6	.96	2.3
31	1.9	-----	.76	.65	-----	.79	-----	.82	-----	2.1	.96	-----
Total	53.24	256.39	153.61	172.19	53.46	73.27	23.85	45.72	28.13	33.46	32.15	33.05
Mean	1.72	8.55	4.96	5.55	1.91	2.36	.80	1.47	.94	1.08	1.04	1.10
Max	2.5	161	.36	102	.34	.25	1.1	.20	1.5	2.6	1.2	3.3
Min	.94	.79	.57	.59	.62	.56	.61	.66	.78	.84	.82	.73
Acre-Ft	105	511	305	342	105	144	47	90	56	67	64	66
Wtr Year 2002	Total	958.52	Mean	2.63	Max	161	Min	.56	Acre-Ft	1900		
Cal Year 2001	Total	2464.06	Mean	6.75	Max	240	Min	.57	Acre-Ft	4890		

RUNOFF - DAILY DISCHARGE

Los Angeles County Dept of Public Works

USDAY V30 Output 04/29/2003

Summary Report

Station: F220 San Gabriel - Azusa Conduit 10 Ft. Weir Below S.G. Dam
 USGS #:
 Beginning Date: 10/01/2001
 Ending Date: 09/30/2002

Daily Mean Discharge in Cubic feet/second Water Year Oct 2001 to Sep 2002

Day	OCT	NOV	DEC	JAN	FEB	MAR	APR	MAY	JUN	JUL	AUG	SEP
1	.14F	49F	45	47	33	12	24	17	12F	.63	.33	.14
2	.07	48	45	45F	37	.42	24	16F	11	.62	.32	.14
3	.07	48	44	45	37	.42	24	17	9.8	.61	.31	.14
4	.07	48	42	45	38F	.42	22	18	8.9	.60	.30	.14
5	.07	48	43F	45	41	.42	19	18	8.4	.59	.29	.17
6	.07	48	44	45	40	.42	18	18	8.8	.58	.28	5.0
7	.07	50	47	45	35	.42	18	18	11	.57	.27	.14
8	.07	50	48	45	35	.42	18F	18	12	.60F	.26	.14
9	.07	50	48	46	35	.42	18	18	12	.76	.25	.14
10	.07	50	49	48	35	.42	18	18	10	.76	.24	.14
11	.07	50	49	48	35	.42	19	18	3.4	.76	.23	.14
12	.07	50	45	48	35	.42	20	18	.82	.76	.22	.12
13	.07	50	44	48	35	.42	20	17	.56	.76	.21F	4.7
14	.07	51	44	47	35	.42	20	17	.43	.76	.21	.14
15	.07	52	43	47	35	.42	21	14	.46	.76	.21	.14
16	.07	52	43	47	35	.42	19	13	.49	.76	.21	.14
17	.07	53	42	35	36	.42	17	14	.52	.75	.21	.14
18	.07	54	43	30	36	.42	16	13	.39	.74	.21	.14
19	.07	54	43	30	37	.42	16	12	.21	.73	.21	.14
20	.07	53	43	30	37	.42	16	12	.21	.72	.16	.14
21	.07	53	43	30	37	.42	16	12	.21	.71	.15	.14
22	.07	53	43	30	36	.42	16	12	.21	.70	.14	.14
23	.07	53	43	30	36	.34	16	12	.21	.69	.14	.13
24	.07	53	42	30	36	.07	16	12	.21	.56	.14	3.2
25	.07	52	41	30	36	.07	16	12	7.5	.39	.14	13
26	.07	52	42	30	36	.07	16	12	.60	.39	.14	4.9
27	.07	52	46	30	36	6.8	17	12	.66	.38	.14	1.2
28	.07	52	47	30	36	22*	17	12	.67	.37	.14	3.3
29	.32	52	48	30	-----	24	17	12	.66	.36	.14	3.3
30	.49	47	48	30	-----	24	17	12	.65	.35	.14	3.3
31	.49	-----	48	30	-----	24	-----	12F	-----	.34	.14	-----
Total	132.03	1527	1385	1196	1011	122.17	551	456	122.97	19.06	6.48	87.41
Mean	4.26	50.9	44.7	38.6	36.1	3.94	18.4	14.7	4.10	.61	.21	2.91
Max	.49	54	49	48	41	24	24	18	12	.76	.33	.17
Min	.07	47	41	30	33	.07	16	12	.21	.34	.14	.13
Acre-Ft	260	3030	2750	2380	2010	240	1090	909	248	38	13	174
Wtr Year 2002	Total	6616.12	Mean	18.1	Max	54	Min	.07	Acre-Ft	13140		
Cal Year 2001	Total	16708.93	Mean	45.8	Max	73	Min	0	Acre-Ft	33150		

RUNOFF - DAILY DISCHARGE

Los Angeles County Dept of Public Works

USDAY V30 Output 04/29/2003

Summary Report

Station: F250 San Gabriel River - Azusa Cond. 25 Ft. Weir Below Dam
 USGS #:
 Beginning Date: 10/01/2001
 Ending Date: 09/30/2002

Daily Mean Discharge in Cubic feet/second Water Year Oct 2001 to Sep 2002

Day	OCT	NOV	DEC	JAN	FEB	MAR	APR	MAY	JUN	JUL	AUG	SEP
1	.20F	49F	46	49	32	11	23F	16	12	.47	1.0	.40
2	.20	49	45	47F	37	.26	25	16F	12	.97	1.0	.40
3	.20F	50	44	42	37	.30	24	18	13	.88	1.0	.40F
4	.20	50	43	41	37F	.35	23	19	11	.69	1.0	.16
5	.20	50	44F	42	38	.63F	20	19	9.1F	.60	1.0	.21
6	.20	50	45	42	36	.88	18	18	8.9	.61	1.0	6.7
7	.20	49	48	41	30	.74	17	17	11	.61	1.0	.81
8	.20	49	49	41	30	.60	17	18	12	.80F	1.0	.81
9	.20	50	50	46	31	.46	16	19	12	1.0	1.0	.44
10	.20	52	52	45	32	.31	16	19	9.9	1.0	1.0	.20
11	.20	52	52	45	34	.21	16	19	3.0	1.0	1.0	.20
12	.20	52	46	46	35	.56	16	19	.32	1.0	1.0	.13
13	.20	53	45	44	35	.51	16	18	.11	1.0	1.0F	5.5
14	.20	52	45	44	35	.40	16	17	.10	1.0	1.0	.40
15	.20	52	44	45	35	.40	17	14	.20	1.0	1.0	.40
16	.20	52	44	46	37	.40	15	13	.20	1.0	1.0	.40
17	.20	51	43	35	38	.40	15	14	.20	1.0	1.0	.40
18	.20	50	43	30	39	.40	16	13	.20	1.0	.95	.40
19	.20	50	43	30	35	.40	16	13	.20	1.0	.81	.40
20	.20	53	42	29	34	.40	16	13	.30	1.0	.81	.40
21	.20	54	42	29	34	.27	15	13	.20	1.0	.65	.40
22	.20	53	41	29	35	.20	15	13	.20	1.0	.40	.40
23	.20	52	41	29	34	.20	15	12	.20	1.0	.40	.98
24	.20	55	43	30	34	.20	15	13	.20	1.0	.47	.12
25	.20	54	41	30	33	.20	16	12	8.9	1.0	.61	.21
26	.20	54	42	30	34	.20	16	13	.78	1.0	.35	5.8
27	.20	54	46	32	33	9.4	16	13	.74	1.0	.20	1.1
28	.20	53	49	30	32	.22	17	13	.64	1.0	.20	2.6
29	.33	53	49	29	-----	.23	16	12	.39	1.0	.20	2.6
30	50\$	50	49	30	-----	.23	16	12	.26	1.0	.29	2.6
31	48	-----	48	30	-----	22F	-----	12	-----	1.0	.40	-----
Total	136.60	1547	1404	1158	966	120.28	515	470	128.24	28.63	23.74	118.14
Mean	4.41	51.6	45.3	37.4	34.5	3.88	17.2	15.2	4.27	.92	.77	3.94
Max	50	55	52	49	39	23	25	19	13	1.0	1.0	.21
Min	.20	49	41	29	30	.20	15	12	.10	.47	.20	.20
Acre-Ft	270	3060	2780	2300	1920	239	1010	938	260	57	47	235
Wtr Year 2002	Total	6615.63	Mean	18.1	Max	55	Min	.10	Acre-Ft	13130		
Cal Year 2001	Total	17444.40	Mean	47.8	Max	87	Min	0	Acre-Ft	34590		

RUNOFF - DAILY DISCHARGE

Los Angeles County Dept of Public Works

USDAY V30 Output 04/29/2003

Summary Report

Station: F38 Ballona Creek Above Sawtelle
 USGS #:
 Beginning Date: 10/01/2001
 Ending Date: 09/30/2002

Daily Mean Discharge in Cubic feet/second Water Year Oct 2001 to Sep 2002

Day	OCT	NOV	DEC	JAN	FEB	MAR	APR	MAY	JUN	JUL	AUG	SEP
1	32	16	27	32	22	17	22	25	17	78	11	21
2	35	16	27	36	22	11	25	30	16	65	12	21
3	29	17	192	91	23	12	22	25	18	55	12	22
4	20	17	24	35	26	12	20	25	19	48	11	22
5	19	19	23	35	25	12	19	27	19	45	11	22
6	19	34	23	35	26	13	18	27	20	46	13	21
7	21	55	23	36	26	92	19	24	20	42	12	42
8	26	57	23	35	24	12	20	22	19	29	11	21
9	34	53	33	31	26	13	22	23	20	43	13	22
10	34	56	29	26	23	14	20	25	20	24	12	22
11	36	78	23	15	24	15	22	25	19	9.9	13	25
12	38	369	23	15	23	17	23	25	21	9.8	14	33
13	37	52	22	16	23	18	25	28	21	12	18	40
14	32	42	79	17	23	16	24	28	21	10	20	34
15	32	43	25	18	24	14	59	27	21	11	22	33
16	34	45	24	18	24	9.9	13	24	22	10	22	29
17	36	49	25	18	299	209	14	27	27	11	23	27
18	34	49	23	18	31	22	14	27	29	11	38	25
19	33	49	34	19	29	11	15	26	31	13	41	24
20	29	48	336	20	28	16	16	77	29	12	34	25
21	16	35	277	19	45	21	15	23	38	11	24	24
22	15	27	36	29	28	21	16	23	40	12	22	22
23	15	28	34	37	29	22	16	24	48	11	21	16
24	16	1130	35	34	30	20	18	20	45	11	20	11
25	17	58	33	30	30	21	16	20	50	13	20	17
26	19	46	34	29	27	22	15	20	55	10	18	25
27	16	44	32	836	27	21	20	22	65	10	16	20
28	15	41	30	70	26	20	22	21	75	11	17	20
29	16	232	214	24	-----	20	20	21	80	11	16	38
30	41	43	53	22	-----	21	21	19	79	12	19	18
31	17	-----	35	22	-----	19	-----	16	-----	12	21	-----
Total	813	2848	1851	1718	1013	783.9	611	796	1004	708.7	577	742
Mean	26.2	94.9	59.7	55.4	36.2	25.3	20.4	25.7	33.5	22.9	18.6	24.7
Max	41	1130	336	836	299	209	59	77	80	78	41	42
Min	15	16	22	15	22	9.9	13	16	16	9.8	11	11
Acre-Ft	1610	5650	3670	3410	2010	1560	1210	1580	1990	1410	1150	1470
Wtr Year 2002	Total	13465.6	Mean	36.9	Max	1130	Min	9.8	Acre-Ft	26710		
Cal Year 2001	Total	32360.6	Mean	88.7	Max	2540	Min	7.9	Acre-Ft	64130		

RUNOFF - DAILY DISCHARGE

Los Angeles County Dept of Public Works

USDAY V30 Output 04/30/2003

Summary Report

Station: F120 Big Dalton Creek Below Big Dalton Dam
 USGS #:
 Beginning Date: 10/01/2001
 Ending Date: 09/30/2002

Daily Mean Discharge in Cubic feet/second Water Year Oct 2001 to Sep 2002

Day	OCT	NOV	DEC	JAN	FEB	MAR	APR	MAY	JUN	JUL	AUG	SEP
1	0	0	.48	0	0	0	0	0	0	0	0	0
2	0	0	.40	0	0	0	0	0	0	0	0	0
3	0	0	.40	0	0	0	0	0	0	0	0	0
4	0	0	.40	0	0	0	0	0	0	0	0	0
5	0	0	.35	0	0	0	0	0	0	0	0	0
6	0	0	.30	0	0	0	0	0	0	0	OF	0
7	0	0	.30	0	0	0	0	0	0	0	0	0
8	0	0	.30	0	0	0	0	0	0	0	0	0
9	0	0	.30	0	0	0	0	0	0	0	0	0
10	0	0	.20	0	0	0	0	0	0	0	0	0
11	0	0	.20	0	0	0	0	0	0	0	0	0
12	0	0	.14	0	0	0	0	0	0	0	0	0
13	0	0	.10	0	0	0	0	0	0	0	0	0
14	0	0	.31	0	0	0	0	0	0	0	0	0
15	0	0	.50	0	0	0	0	0	0	0	0	0
16	0	0	.50	0	0	0	0	0	0	0	0	0
17	0	0	.47	0	0	0	0	0	0	0	0	0
18	0	0	.40	0	0	0	0	0	0	0	0	0
19	0	0	.40	0	0	0	0	0	0	0	0	0
20	0	0	.43	0	0	0	0	0	0	0	0	0
21	0	0	.55	0	0	0	0	0	0	0	0	0
22	0	0	.50	0	0	0	0	0	0	0	0	0
23	0	0	.50	0	0	0	0	0	0	0	0	0
24	0	0	.50	0	0	0	0	0	0	0	0	0
25	0	0	.50	0	0	0	0	0	0	0	0	0
26	0	0	.40	0	0	0	0	0	0	0	0	0
27	0	.27	.40	0	0	0	0	0	0	0	0	0
28	0	.50	.40	0	0	0	0	0	0	0	0	0
29	0	.50	.40	0	-----	0	0	0	0	0	0	0
30	0	.50	.40	0	-----	0	0	0	0	0	0	0
31	0	-----	.40	0	-----	0	-----	0	-----	0	0	-----
Total	0	1.77	11.83	0	0	0	0	0	0	0	0	0
Mean	0	.059	.38	0	0	0	0	0	0	0	0	0
Max	0	.50	.55	0	0	0	0	0	0	0	0	0
Min	0	0	.10	0	0	0	0	0	0	0	0	0
Acre-Ft	0	3.5	24	0	0	0	0	0	0	0	0	0
Wtr Year 2002	Total	13.60	Mean	.037	Max	.55	Min	0	Acre-Ft	27		
Cal Year 2001	Total	174.85	Mean	.48	Max	10	Min	0	Acre-Ft	348		

RUNOFF - DAILY DISCHARGE

Los Angeles County Dept of Public Works

USDAY V30 Output 02/04/2004

Summary Report

Station: F394 Big Rock Creek Upstream from Pallett Creek
 USGS #:
 Beginning Date: 10/01/2001
 Ending Date: 09/30/2002

Daily Mean Discharge in Cubic feet/second Water Year Oct 2001 to Sep 2002

Day	OCT	NOV	DEC	JAN	FEB	MAR	APR	MAY	JUN	JUL	AUG	SEP
1	3.1	3.2	2.6	4.1	2.1	2.5	2.1	1.5	1.8			4.5
2	3.0	3.2	2.3	4.1	2.1	2.3	2.1	1.4	1.7			9.5
3	3.0	3.2	2.3	4.1	2.5	2.5	2.0	1.4	1.8			16
4	3.0	3.2	2.2	4.1	2.4	2.5	1.9	1.4	1.8			13
5	3.0	3.2	2.1	4.3	2.4	2.5	1.9	1.3	1.8			9.3
6	3.0	3.2	1.9	4.1	2.4	2.5	1.9	1.2	1.8			6.1
7	3.0	3.2	1.9	3.3	2.5	2.5	2.0	1.3	1.8			5.2
8	3.0	3.2	1.7	2.1	2.5	2.5	2.1	1.3	1.8			3.7
9	3.0	3.2	1.6	2.1	2.5	2.5	2.1	1.3	1.9			4.5
10	3.0	3.2	1.6	2.1	2.5	2.5	2.0	1.3				3.9
11	3.0	3.2	2.1	2.1	2.5	2.5	2.1	1.3				2.6
12	3.0	3.2	2.5	2.1	2.5	2.7	2.0	1.6				2.9
13	3.0	3.3	2.5	2.1	2.4	2.7	2.0	1.6				3.3
14	3.0	3.4	2.6	2.1	2.5	2.7	1.9	1.6				2.8
15	3.0	3.3	2.7	2.1	2.5	2.7	1.9	1.7				2.4
16	3.0	3.1	2.7	2.1	2.7	2.7	1.9	1.7				2.0
17	3.0	2.9	2.8	2.2	2.7	2.8	1.9	1.6				4.8
18	3.0	2.8	3.0	2.1	2.9	2.8	1.8	1.6				3.5
19	3.0	2.7	3.0	2.2	2.9	2.8	1.6	1.6				2.7
20	3.0	2.5	3.0	2.2	2.8	2.8	1.4	1.6				3.4
21	3.0	2.5	3.1	2.1	2.8	2.5	1.2	1.5				3.8
22	3.0	2.3	3.2	2.2	2.7	2.5	1.3	1.7			5.0	4.5
23	3.2	2.3	3.5	2.1	2.8	2.3	1.5	1.8			3.9	12
24	3.2	2.4	3.6	2.1	2.6	2.2	1.5	1.8			2.1	10
25	3.2	2.5	3.4	2.1	2.6	2.1	1.5	1.8			1.7	8.2
26	3.2	2.3	3.4	2.1	2.6	2.1	1.5	1.8			2.2	4.9
27	3.2	2.5	3.7	2.2	2.5	2.1	1.5	1.9			8.2	4.6
28	3.2	2.6	3.9	2.1	2.5	2.1	1.5	1.9			2.5	2.0
29	3.2	2.8	3.9	2.1	-----	2.1	1.5	1.8			2.0	2.6
30	3.2	2.6	3.9	2.1	-----	2.1	1.5	1.7			2.2	
31	3.3	-----	3.9	2.1	-----	2.1	-----	1.7	-----		2.9	-----
Total	95.0	87.2	86.6	79.0	71.4	76.2	53.1	48.7	16.2		32.7	158.7
Mean	3.06	2.91	2.79	2.55	2.55	2.46	1.77	1.57	1.80		3.27	5.47
Max	3.3	3.4	3.9	4.3	2.9	2.8	2.1	1.9	1.9		8.2	16
Min	3.0	2.3	1.6	2.1	2.1	2.1	1.2	1.2	1.7		1.7	2.0
Acre-Ft	190	173	172	157	142	151	105	97	32		65	314
Wtr Year 2002	Total	804.8	Mean	2.77	Max	16	Min	1.2	Acre-Ft	1600		
Cal Year 2001	Total	3463.0	Mean	9.49	Max	36	Min	1.0	Acre-Ft	6870		

RUNOFF - DAILY DISCHARGE

Los Angeles County Dept of Public Works

USDAY V30 Output 07/30/2003

Summary Report

Station: F168 Big Tujunga Creek Below Big Tujunga Dam
 USGS #:
 Beginning Date: 10/01/2001
 Ending Date: 09/30/2002

Daily Mean Discharge in Cubic feet/second Water Year Oct 2001 to Sep 2002

Day	OCT	NOV	DEC	JAN	FEB	MAR	APR	MAY	JUN	JUL	AUG	SEP
1	0	.04	0	.04	.03	.03	.03	.05	4.5	1.6	0	0
2	0	.04	0	.04	.03	.03	.03	.05	4.4	.04	0	0
3	0	.03	13	.05	.03	.03	.02	.05	20	.01	0	0
4	0	.04	27	.04	.03	.03	.02	.04	29	.01	0	0
5	0	.03	11	.04	.03	.03	.03	.02	29	.02	0	0
6	0	.03	.06	.04	.03	.04	.04	.02	14	.02	0	0
7	0	.02	.02	.04	.03	.06	.04	2.5	5.1	.01	0	0
8	0	0	.01	16	.03	.05	.04	1.1	5.0	0	0	0
9	0	0	0	30	.02	.05	.03	5.2	5.0	0	0	0
10	0	0	.02	22	.02	.05	.03	5.4	5.0	0	0	0
11	0	0	.01	.17	.03	.05	.03	5.2	5.0	0	0	0
12	.01	.03	.01	.01	.03	.04	.03	5.2	5.0	0	0	0
13	.01	.02	.01	0	.03	.04	.03	5.3	5.0	0	0	0
14	.01	0	.02	0	.03	.04	.02	5.4	5.0	0	0	0
15	.01	0	.03	0	.03	.05	.03	5.3	5.0	0	0	0
16	.02	0	.03	0	.03	.06	.03	5.2	5.0	0	0	0
17	.02	0	.03	0	.06	.08	.03	5.2	5.0	0	0	0
18	.02	0	.03	0	.05	.08	.04	5.2	5.0	0	0	0
19	.03	0	.03	0	.04	.07	.04	5.3	5.0	0	0	0
20	.03	0	.03	0	.04	.06	.04	5.3	4.9	0	0	0
21	.03	0	.11	0	.04	.05	.03	5.2	4.9	0	0	0
22	.04	0	.03	0	.04	.05	.03	5.2	4.9	0	0	0
23	4.5	0	.02	0	.04	.06	.02	5.1	4.8	0	0	0
24	.01	.11	.02	0	.04	.06	.03	5.0	4.8	0	0	0
25	.02	.03	.02	0	.04	.06	.03	4.9	4.8	0	0	0
26	.03	0	.02	0	.03	.03	.04	4.9	4.8	0	0	0
27	.03	0	.02	.34	.03	.03	.06	4.9	4.8	0	0	0
28	.04	0	.02	.29	.03	.03	.05	4.7	4.8	0	0	0
29	.04	0	.03	.06	-----	.03	.05	4.6	4.8	0	0	0
30	.04	0	.04	.04	-----	.03	.04	4.6	4.7	0	0	0
31	.04	-----	.04	.03	-----	.03	-----	4.6	-----	0	-----	0
Total	4.98	0.42	51.71	69.23	0.94	1.43	1.01	120.73	219.0	1.71	0	0
Mean	.16	.014	1.67	2.23	.034	.046	.034	3.89	7.30	.055	0	0
Max	4.5	.11	27	30	.06	.08	.06	5.4	29	1.6	0	0
Min	0	0	0	0	.02	.03	.02	.02	4.4	0	0	0
Acre-Ft	9.8	.8	102	136	1.9	2.8	2.0	236	434	3.5	0	0
Wtr Year 2002	Total	471.16	Mean	1.29	Max	30	Min	0	Acre-Ft	929		
Cal Year 2001	Total	3447.17	Mean	9.44	Max	175	Min	0	Acre-Ft	6840		

RUNOFF - DAILY DISCHARGE

Los Angeles County Dept of Public Works

USDAY V30 Output 02/04/2004

Summary Report

Station: F377 Bouquet Creek Near Saugus
 USGS #:
 Beginning Date: 10/01/2001
 Ending Date: 09/30/2002

Daily Mean Discharge in Cubic feet/second Water Year Oct 2001 to Sep 2002

Day	OCT	NOV	DEC	JAN	FEB	MAR	APR	MAY	JUN	JUL	AUG	SEP
1	0	0	0	0	.02	.12	0	.01	.13	.05	.02	.05
2	0	0	0	0	.01	.10	0	.01	.10	.10	.03	.09
3	0	0	0	0	.02	.18	0	.01	.05	.05	.06	.05
4	0	0	0	0	.08	.23	0	.01	.12	.06	.04	.04
5	0	0	0	0	.05	.21	0	.01	.16	.05	.10	.04
6	0	0	0	.01	.04	.45	0	.02	.06	.11	.05	.02
7	0	0	0	.01	.06	.21	0	.01	.02	.11	.03	.04
8	0	0	0	.01	.07	.07	.10	.16	.07	.06	.06	.05
9	0	0	0	.03	.10	.15	.06	0	.14	.06	.04	.02
10	0	0	0	.02	.11	.18	0	0	.08	.01	.12	.02
11	0	0	0	.02	.19	.14	0	0	.11	.02	.10	.03
12	0	0	0	.06	.13	.09	.04	0	.12	0	.05	.03
13	0	0	0	.04	.11	.10	0	0	.08	.06	.06	.06
14	0	0	0	.03	.13	.11	0	0	.11	.08	.03	.08
15	0	0	0	.02	.17	.20	.09	0	.13	.10	.03	.11
16	0	0	0	.03	.22	.24	.01	0	.09	.08	.04	.08
17	0	0	0	.01	.53	.41	0	0	.10	.07	.18	.05
18	0	0	0	.10	0	.04	0	0	.10	.05	.04	.08
19	0	0	0	.09	0	0	0	0	.07	.06	.04	.03
20	0	0	0	.14	0	.06	0	0	.05	.16	.05	.08
21	0	0	0	.14	0	0	.01	0	.11	.08	.14	.11
22	0	0	0	.13	0	.03	0	0	.25	.06	.11	.33
23	0	0	0	.15	.04	0	0	0	.09	.27	.03	.30
24	0	0	0	.07	.16	.05	0	0	.04	.09	.03	.09
25	0	0	0	.10	.10	.13	0	0	.04	.08	.05	.10
26	0	0	0	.12	.05	.18	.02	0	.01	.07	.02	.09
27	0	0	0	1.3	.07	.10	.01	0	.02	.06	.04	.12
28	0	0	0	.02	.10	0	.02	.04	.03	.03	.02	.17
29	0	0	0	0	-----	.02	.01	.10	.08	.05	.02	.28
30	0	0	0	0	-----	0	.01	.16	.10	.07	.01	
31	0	-----	0	0	-----	0	-----	.16	-----	.06	.05	-----
Total	0	0	0	2.65	2.56	3.80	0.38	0.70	2.66	2.26	1.69	2.64
Mean	0	0	0	.085	.091	.12	.013	.023	.089	.073	.055	.091
Max	0	0	0	1.3	.53	.45	.10	.16	.25	.27	.18	.33
Min	0	0	0	0	0	0	0	0	.01	0	.01	.02
Acre-Ft	0	0	0	5.2	4.9	7.4	.8	1.3	5.1	4.3	3.3	5.4
Wtr Year 2002	Total	19.34	Mean	.053	Max	1.3	Min	0	Acre-Ft	38		
Cal Year 2001	Total	4.21	Mean	.012	Max	.20	Min	0	Acre-Ft	7.6		

RUNOFF - DAILY DISCHARGE

Los Angeles County Dept of Public Works

USDAY V30 Output 07/30/2003

Summary Report

Station: F329 Bradbury Channel Below Central Avenue
 USGS #:
 Beginning Date: 10/01/2001
 Ending Date: 09/30/2002

Daily Mean Discharge in Cubic feet/second Water Year Oct 2001 to Sep 2002

Day	OCT	NOV	DEC	JAN	FEB	MAR	APR	MAY	JUN	JUL	AUG	SEP
1	.14*	.37	.08	.08	.07	.27	.16	.05*	.08	.67*	.70	.13
2	.17*	.29	.13	.06	.07	.25	.30	.06*	.06	.91*	.18	.07
3	.12	.32	.45	.08	.07	.33	.31	.08*	.10	.82*	.05	.04F
4	.14	.30	.14	.05	.08	.39	.30	.13*	.09	.73*	.07	.20
5	.17	.15	.04	.07	.11	.41	.31	.23*	.09	.66*	.05	.05
6	.03	.02	.07	.04	.10	.78	.31	.29*	.09	.58*	.08	.07
7	.03	.02	.15	.06	.13	3.2	.31	.32*	.13	.51*	.09	.05
8	.23	.05	.10	.07	.11	.47	.36	.09	.07	.45*	.09	.04
9	.14	.02	.09	.08	.10	.49	.30	.07	.05	.39*	.10	.08
10	.06	.05	.13	.18	.10	.51	.39	.10	.09	.34*	.10	.06
11	.06	.08	.11	.25	.09	.56	.42	.05	.09	.28*	.10	.08
12	.07	3.3	.12	.22	.08	.15	.44	.32	.10	.23*	.10	.07
13	.06	.09	.14	.24	.06	.51	.43	.26	.10	.19*	.10F	.08
14	.07\$.14	1.1	.30	.07	.31	.37	.16	.07	.15*	.15	.12
15	.05\$.10	.20	.19	0	.37	1.2	.18	.07	.12*	.10	.09
16	.05	.12	.17	.10	.03	.10	.39	.13	.06?	.10*	.07	.15
17	.03	.10	.06	.01	1.5	5.7	.12	.12	.10?	.10*	.11	.09
18	.17	.10	.14	0	.08	.53	.08	.09	.11?	.12	.11	.11
19	.03	.10	.08	0	.12	.16	.20	.14	.10?	.13	.13	.10
20	.06	.12	5.8	0	.12	.13	.21	2.6	.10?	.12	.12	.21
21	.05	.11	2.5	0	.11	.04	.22	.04	.26?	.13	.14	.12
22	.05	.10	.08	.01	.09	.05	.33	.05	.10?	.13	.05	.10
23	.05	.08	.07	.03	.07	.05	.20	.02	.12?	.11	.04	.11
24	1.6	.18	.08	.08	.08	.04	.92	.04	.12?	.09	.04	.15
25	.13	.06	.07	.09	.10	.08	.06	.03	.14?	.08	.03	.12
26	.28	.04	.07	.10	.07	.04	.10	.01	.15?	.09	.03	.15
27	.36	.11	.03	.11	.20	.15	.06	.04	.15?	.07	.05	.11
28	.40	.04	.03	.50	.16	.10	.05	.05	.14?	.06	.05	.13
29	.49	.16	.20	.53	-----	.17	.06*	.06	.17?	.07	.07	.11
30	.46	.04	.07	.08	-----	.10	.05*	.06	.24?	.04	.07	.11F
31	.50	-----	.07	.07	-----	.11	-----	.05	-----	.01	.08	-----
Total	6.25	24.58	12.57	14.57	3.97	16.55	8.96	5.92	3.34	8.48	3.25	3.10
Mean	.20	.82	.41	.47	.14	.53	.30	.19	.11	.27	.10	.10
Max	1.6	.18	5.8	.11	1.5	5.7	1.2	2.6	.26	.91	.70	.21
Min	.03	.02	.03	0	0	.04	.05	.01	.05	.01	.03	.04
Acre-Ft	12	50	24	28	7.6	32	18	12	6.6	17	6.3	5.9
Wtr Year 2002	Total	111.54	Mean	.31	Max	18	Min	0	Acre-Ft	220		
Cal Year 2001	Total	493.85	Mean	1.35	Max	36	Min	.02	Acre-Ft	980		

RUNOFF - DAILY DISCHARGE

Los Angeles County Dept of Public Works

USDAY V30 Output 04/30/2003

Summary Report

Station: F342 Branford Street Channel Below Sharp Avenue
 USGS #:
 Beginning Date: 10/01/2001
 Ending Date: 09/30/2002

Daily Mean Discharge in Cubic feet/second Water Year Oct 2001 to Sep 2002

Day	OCT	NOV	DEC	JAN	FEB	MAR	APR	MAY	JUN	JUL	AUG	SEP
1	.35	.28	.32	.29	.36	.30	.34	.32	.30	.28	.24	.26
2	.35	.34	.61	2.1	.28	.28	.27	.32	.28	.27	.26	.28
3	.35	.33	4.9	1.2	.27	.26	.27	.32	.30	.29	.24	.28
4	.35	.33	.28	.30	.30	.26	.30	.30	.31	.25	.23	.39
5	.35	.27	.22	.30	.27	.28	.28	.28	.34	.30	.27	.39
6	.35	.29	.21	.29	.32	.71	.75	.30	.32	.28	.24	.39
7	.35	.28	.23	.35	.30	1.9	.26	.30	.32	.25	.23	.35
8	.35	.29	.22	.33	.31	.32	.30	.42	.31	.29	.25	.30
9	.35	.29	.29	.32	.26	.27	.29	.33	.52	.26	.26	.27
10	.34	.29	.24	.27	.25	.29	.28	.49	.34	.28	.25	.28
11	.34	1.0	.42	.31	.29	.29	.27	.25	.30	.28	.25	.27
12	.34	.19	.29	.30	.31	.29	.29	.23	.29	.31	.28	.28
13	.33	.45	.26	.30	.36	.32	.26	.28	.31	.26	.26	.30
14	.32	.29	3.0	.30	.33	.23	.26	.28	.30	.23	.28	.29
15	.33	.26	.27	.30	.33	.32	.45	.28	.28	.25	.26	.27
16	.33	.33	.32	7.9	.33	.29	.24	.28	.28	.24	.30	.28
17	.32	.34	.35	.38	8.3	2.2	.27	.31	.31	.23	.26	.30
18	.30	.34	.27	.32	.39	.47	.25	.29	.30	.26	.25	.28
19	.30	.31	.30	.31	.31	.26	.24	.61	.32	.28	.25	.30
20	.30	.30	9.1	.28	.33	.28	.25	2.1	.30	.25	.23	.30
21	.31	.32	3.7	.30	.34	.27	.22	.28	.40	.28	.35	.24
22	.30	.34	.33	.28	.36	.26	.26	.30	.32	.33	.39	.19
23	.30	.34	.31	.26	.32	.70	.25	.30	.30	.44	.35	.29
24	.29	.39	.29	.40	.30	.28	.27	.32	.32	.27	.32	.30
25	.29	.43	.35	.46	.28	.28	.29	.31	.31	.24	.30	.46
26	.31	.35	.28	.31	.26	.28	.30	.27	.30	.27	.27	.56
27	.32	.28	.30	.32	.26	.31	.27	.30	.30	.25	.31	.48
28	.30	.27	.30	.98	.27	.27	.26	.31	.33	.25	.30	.92
29	.30	4.9	5.5	.30	-----	.30	.32	.31	.30	.26	.30	4.2
30	3.0	.35	.71	.29	-----	.28	.31	.30	.29	.25	.27	.32
31	.34	-----	.34	.25	-----	.28	-----	.31	-----	.28	.29	-----
Total	12.76	72.19	34.51	52.28	16.59	13.33	8.87	11.60	9.50	8.46	8.54	14.02
Mean	.41	2.41	1.11	1.69	.59	.43	.30	.37	.32	.27	.28	.47
Max	3.0	.39	9.1	.32	8.3	2.2	.75	2.1	.52	.44	.39	4.2
Min	.29	.26	.21	.25	.25	.23	.22	.23	.28	.23	.23	.19
Acre-Ft	26	143	69	105	33	27	18	23	19	17	17	28
Wtr Year 2002	Total	262.65	Mean	.72	Max	39	Min	.19	Acre-Ft	522		
Cal Year 2001	Total	786.62	Mean	2.16	Max	95	Min	.20	Acre-Ft	1570		

RUNOFF - DAILY DISCHARGE

Los Angeles County Dept of Public Works

USDAY V30 Output 07/02/2003

Summary Report

Station: E285 Burbank-Western Storm Drain
 USGS #:
 Beginning Date: 10/01/2001
 Ending Date: 09/30/2002

Daily Mean Discharge in Cubic feet/second Water Year Oct 2001 to Sep 2002

Day	OCT	NOV	DEC	JAN	FEB	MAR	APR	MAY	JUN	JUL	AUG	SEP
1	12	12	13	11	9.8	12	9.8	9.5	9.3	10	9.5	9.9
2	11	11	11	12	9.8	13	10	9.7	9.2	11	10	9.6
3	12	11	10	18	9.7	8.5	9.6	9.0	9.0	10	9.9	10
4	12	11	8.7	16	9.8	8.3	9.8	9.0	9.8	10	9.9	10
5	11	9.9	7.9	14	9.8	9.3	9.9	9.2	10	9.9	11	11
6	13	10	7.6	12	9.8	13	10	9.2	11	9.2	11	10
7	12	10	7.5	10	10	16	8.5	9.1	10	9.4	10	11
8	11	11	7.6	8.7	10	9.0	9.4	9.3	10	11	11	9.6
9	11	11	56	7.5	10	9.8	10	9.3	11	11	9.9	11
10	12	10	75	7.0	9.7	9.0	9.7	10	11	10	10	14
11	10	10	30	6.3	9.8	9.0	10	8.8	11	10	10	16
12	11	99	18	5.4	9.9	9.2	10	8.4	10	12	10	16
13	11	8.9	14	4.6	9.7	8.9	9.9	8.8	11	11	10	15
14	12	8.9	12	6.7	10	10	10	10	10	11	10	15
15	12	8.9	12	10	10	9.1	10	11	9.3	12	11	15
16	11	10	11	12	9.9	9.6	10	10	10	11	10	13
17	12	11	11	11	18	13	10	9.6	9.7	10	9.7	15
18	12	12	11	11	9.9	10	11	8.9	10	11	9.8	12
19	11	11	11	11	9.6	10	9.9	9.1	9.8	11	11	12
20	12	12	92	10	9.4	9.7	9.2	28	10	10	11	13
21	10	11	61	11	9.9	11	9.2	9.8	11	10	10	13
22	9.1	11	12	11	9.7	10	9.1	9.6	9.2	10	11	13
23	5.8	9.9	11	10	9.9	10	9.1	10	9.2	10	11	12
24	11	175	11	9.5	9.3	9.5	9.3	9.9	11	10	10	13
25	11	83	11	8.9	9.6	9.8	8.9	10	11	10	10	13
26	12	41	11	8.9	8.9	9.9	9.2	9.0	10	11	11	13
27	12	26	18	115	8.9	11	9.1	9.4	10	11	10	13
28	12	19	11	10	10	10	8.6	10	10	11	10	21
29	11	16	75	8.8	-----	10	8.6	9.6	9.7	11	10	19
30	18	15	13	9.4	-----	9.9	8.7	9.6	9.7	10	12	13
31	11	-----	11	10	-----	9.6	-----	9.7	-----	9.3	10	-----
Total	353.9	705.5	671.3	416.7	280.8	317.1	286.5	312.5	301.9	323.8	319.7	391.1
Mean	11.4	23.5	21.7	13.4	10.0	10.2	9.55	10.1	10.1	10.4	10.3	13.0
Max	18	175	92	115	18	16	11	28	11	12	12	21
Min	5.8	8.9	7.5	4.6	8.9	8.3	8.5	8.4	9.0	9.2	9.5	9.6
Acre-Ft	701	1400	1330	827	558	628	571	620	595	642	637	777
Wtr Year 2002	Total	4680.8	Mean	12.8	Max	175	Min	4.6	Acre-Ft	9290		
Cal Year 2001	Total	8258.1	Mean	22.6	Max	417	Min	5.8	Acre-Ft	16380		

RUNOFF - DAILY DISCHARGE

Los Angeles County Dept of Public Works

USDAY V30 Output 04/30/2003

Summary Report

Station: F37 Compton Creek Near Greenleaf Drive
 USGS #:
 Beginning Date: 10/01/2001
 Ending Date: 09/30/2002

Daily Mean Discharge in Cubic feet/second Water Year Oct 2001 to Sep 2002

Day	OCT	NOV	DEC	JAN	FEB	MAR	APR	MAY	JUN	JUL	AUG	SEP
1	.76	.54	.37	1.5	1.3	.90	1.3	1.2	1.5	1.6	1.4	.72
2	.70	.54	.86	1.3	1.2	.90	1.2	1.1	1.5	1.9	1.3	.72
3	.72	.54	.32	6.7	1.1	.92	1.1	.90	1.5	2.0	1.3	.70
4	.72	.54	1.5	1.3	.90	1.1	1.3	.90	1.3	2.4	1.2	.81
5	.72	.50	1.3	1.3	.90	1.1	1.3	.90	1.2	2.8	1.1	1.1
6	.74	.34	1.0	1.2	.77	.98	1.1	.90	1.4	3.2	1.0	.99
7	.72	.18	.90	1.1	.72	.32	1.1	.90	1.6	3.6	1.1	.91
8	.72	.18	.84	.94	.59	8.8	1.1	.79	1.7	4.1	1.0	.85
9	.72	.18	.72	.90	.54	2.6	1.1	.72	1.8	4.3	1.1	.79
10	.72	.18	.58	.84	.37	2.4	1.1	.72	1.8	1.2	1.0	.73
11	.72	.18	.44	.72	.23	2.4	1.1	.72	2.0	1.0	.96	.72
12	.72	.61	.29	.65	.18	2.1	1.3	.72	2.1	.90	1.6	.72
13	.72	4.5	.18	.54	.08	2.0	1.3	.54	.23	.90	2.3	.72
14	.72	.10	.39	.54	0	1.7	1.3	.54	.38	.90	2.0	.72
15	.72	.16	1.7	.37	0	1.5	5.0	.54	.52	.90	1.8	.72
16	.63	.10	1.4	.31	0	1.5	4.9	.54	.66	.90	1.7	.72
17	.54	.20	1.3	.18	.45	43	4.6	.54	.70	.90	1.7	1.3
18	.55	.22	1.1	.07	1.3	15	4.3	.54	.06	.90	1.6	1.5
19	.54	.19	.97	0	.84	4.3	3.7	.49	.04	.90	1.5	.22
20	.54	.15	4.5	0	.72	4.1	3.0	30	.14	.90	1.5	336
21	.54	.18	.91	0	.65	3.7	2.6	6.7	.29	.90	1.4	403
22	.54	.22	1.8	0	.72	3.5	2.4	1.4	.43	.90	1.5	402
23	.54	.27	1.6	0	.67	3.2	2.2	1.6	.52	.96	1.4	221
24	.54	149	1.5	0	.54	2.9	1.8	1.6	.53	1.2	.90	2.3
25	.54	.19	1.3	0	.54	2.7	1.5	1.7	.67	1.1	.88	2.4
26	.54	.12	1.2	0	.54	2.4	1.5	1.7	.78	1.3	.90	1.2
27	.54	5.3	.96	122	.71	2.4	1.3	1.4	.77	1.5	.90	1.2
28	.54	1.7	.90	20	.72	2.4	1.2	1.6	.93	1.5	.90	1.3
29	.54	.42	.45	2.3	-----	1.9	1.1	1.8	1.1	1.5	.90	1.5
30	.54	.13	4.4	1.8	-----	1.5	1.1	1.9	1.3	1.5	.90	2.1
31	.54	-----	1.5	1.5	-----	1.4	-----	1.8	-----	1.5	.87	-----
Total	19.58	300.32	242.11	168.06	61.83	157.30	58.9	67.40	29.45	50.06	39.61	1411.44
Mean	.63	10.0	7.81	5.42	2.21	5.07	1.96	2.17	.98	1.61	1.28	47.0
Max	.76	149	.91	122	.45	43	5.0	30	2.1	4.3	2.3	403
Min	.54	.10	.18	0	0	.90	1.1	.49	.04	.90	.87	.70
Acre-Ft	39	593	482	331	121	312	115	134	58	99	79	2800
Wtr Year 2002	Total	2606.06	Mean	7.14	Max	403	Min	0	Acre-Ft	5160		
Cal Year 2001	Total	4160.33	Mean	11.4	Max	525	Min	.01	Acre-Ft	8250		

RUNOFF - DAILY DISCHARGE

Los Angeles County Dept of Public Works

USDAY V30 Output 04/30/2003

Summary Report

Station: F354 Coyote Creek Below Spring Street
 USGS #:
 Beginning Date: 10/01/2001
 Ending Date: 09/30/2002

Daily Mean Discharge in Cubic feet/second Water Year Oct 2001 to Sep 2002

Day	OCT	NOV	DEC	JAN	FEB	MAR	APR	MAY	JUN	JUL	AUG	SEP
1	35	6.6	5.9	7.6	13	13	23	16	75	31?	7.9	13
2	134	6.6	5.0	11	9.9	13	27	19	58	18	8.9	13
3	104	6.6	192	50	9.0	16	30	28	42	22	7.2	17
4	21	6.6	6.1	11	12	12	33	8.6	20	24	7.0	13B
5	18	6.6	4.1	7.5	11	17	43	8.6	33?	27	9.7	15B
6	18	6.6	4.0	6.7	12	20	48	28	42?	30	10	14B
7	19	6.4	3.8	17	9.4	62	45	37	42?	21	9.1	15B
8	18	6.0	3.3	9.4	10	24	60	41	42?	28	9.6	15B
9	22	6.0	2.4	8.7	12	6.1	81	48	42?	26	11	17B
10	25	6.0	5.1	8.8	11	6.4	97	49	42?	29	9.5	18
11	38	6.0	3.6	8.4	12	6.7	73	44	42?	35	9.0	17
12	43	6.0	4.9	8.7	11	5.3	75	42	42?	37	13	16
13	48	44	5.8	9.0	12	6.0	68	46	42?	38	14	17
14	51	17	172	14	13	6.9	64	58	42?	38	15	17
15	51	34	13	14	13	6.2	106	86	42?	33	14	18
16	59	6.6	2.0	15	27	9.3	13	76	42?	24	13	17
17	63	6.6	3.3	17	169	32	8.8	73	42?	26	13	21
18	66	6.6	4.1	15	22	76	8.9	74	42?	17	13	20
19	64	6.9	6.5	14	10	6.9	8.6	80	42?	19	15	20
20	67	5.8	8.4	15	6.9	5.8	13	197	42?	13	17	24
21	65	5.2	355	20	9.5	6.3	10	42	42?	13	17	22
22	68	5.6	47	21	18	6.7	19	6.8	42?	20	13	22
23	73	5.9	29	19	10	114	21	4.7	42?	13	13	24
24	75	921	23	19	9.3	24	69	3.6	42?	7.7	16	22
25	80	52	16	18	16	8.5	23	2.3	42?	8.6	14	26
26	84	8.6	11	19	17	8.4	78	2.0	42?	9.5F	16	27
27	79	7.6	7.0	210	22	10	24	21	42?	10	12	27
28	88	7.3	9.1	314	16	11	16	60	42?	8.2	13	28
29	89	130	187	51	-----	14	28	39	42?	7.1	13	30
30	94	9.1	101	14	-----	14	21	47	42?	11	15	32
31	94	-----	31	13	-----	19	-----	63	-----	9.1	13	-----
Total	1853	1355.8	1271.4	985.8	523.0	586.5	1234.3	1350.6	1278	653.2	380.9	597
Mean	59.8	45.2	41.0	31.8	18.7	18.9	41.1	43.6	42.6	21.1	12.3	19.9
Max	134	921	355	314	169	114	106	197	75	38	17	32
Min	18	5.2	2.0	6.7	6.9	5.3	8.6	2.0	20	7.1	7.0	13
Acre-Ft	3680	2690	2520	1950	1040	1160	2450	2680	2530	1290	754	1180
Wtr Year 2002	Total	12069.5	Mean	33.1	Max	921	Min	2.0	Acre-Ft	23930		
Cal Year 2001	Total	28916.8	Mean	79.2	Max	3030	Min	2.0	Acre-Ft	57350		

RUNOFF - DAILY DISCHARGE

Los Angeles County Dept of Public Works

USDAY V30 Output 04/30/2003

Summary Report

Station: F274 Dalton Wash At Merced Avenue
 USGS #:
 Beginning Date: 10/01/2001
 Ending Date: 09/30/2002

Daily Mean Discharge in Cubic feet/second Water Year Oct 2001 to Sep 2002

Day	OCT	NOV	DEC	JAN	FEB	MAR	APR	MAY	JUN	JUL	AUG	SEP
1	1.2	1.5	.59	.55	.18	.69	.71	.74	.15	.08	.31	.57
2	1.2	1.5	.95	115	.44	.80	.61	.78	.15	.08	.33	.58
3	1.3	1.5	90	274	.37	1.1	.69	.70	.15	.08	.35	.55
4	.93	1.5	258	271	.43	.58	.89	.60	.15	.08	.37	.56
5	.93	16	255	273	.33	.67	.63	.55	.14	.08	.40	.54
6	1.2	164	253	275	1.0	1.3	.86	.55	.13	.08	.42	.57
7	1.2	255	256	282	.27	.27	1.4	.55	.13	.08	.43	.60
8	1.2	255	254	282	.49	3.7	1.2	.47	.13	.08	.44	.63
9	1.2	255	258	133	.66	2.9	1.1	.28	.13	.07	.45	.67
10	1.2	255	208	.66	.13	2.6	1.0	.28	.13	.06	.46	.70
11	1.5	98	139	.64	.11	2.0	1.0	.26	.13	.06	.47	.74
12	1.5	1.5	140	.80	.10	1.8	1.2	.22	.12	.06	.48	.78
13	1.5	1.5	146	.90	.33	1.8	.86	.22	.12	.05	.49	.82
14	1.5	148	135	1.1	1.3	1.8	.72	.22	.12	.05	2.7	.86
15	1.5	255	3.8	1.3	1.7	1.8	1.3	.22	.12	.05	1.3	.90
16	2.7	255	3.7	1.5	.90	1.8	.82	.19	.12	.21	.98	1.5
17	2.7	255	91	1.4	.36	.68	.72	.15	.11	.14	.80	1.6
18	2.7	255	147	.69	2.2	.19	.64	.15	.11	.17	.64	6.1
19	2.7	255	145	.67	2.0	.66	.72	.15	.10	.21	.56	.92
20	2.7	248	174	.91	.62	.51	.72	2.7	.14	.23	.51	.76
21	3.2	248	45	.65	.61	.62	.72	.16	.13	.28	.44	.69
22	1.2	248	104	.86	1.2	.42	.70	.14	.12	.38	.40	.40
23	1.2	248	149	.62	1.2	1.6	.59	.23	.11	.40	.34	1.3
24	1.2	127	150	.60	1.9	.88	.13	.20	.11	.32	.35	1.3
25	1.2	1.5	155	.79	1.6	.77	9.7	.15	.11	.34	.36	.78
26	1.2	1.5	156	.83	1.3	.45	9.1	.15	.11	.35	.36	.35
27	1.2	106	145	183	1.7	.22	8.1	.15	.11	.32	.37	.69
28	1.2	240	137	31	1.2	1.6	7.2	.14	.10	.31	.32	.91
29	.93	48	13	5.2	-----	1.2	7.2	.13	.09	.28	.29	.80
30	.93	1.0	4.2	.28	-----	1.1	7.2	.18	.08	.29	.29	2.1
31	.93	-----	4.1	.15	-----	.98	-----	.18	-----	.30	.42	-----
Total	46.95	4247.0	4020.34	2140.10	60.27	150.35	81.30	11.79	3.65	5.57	16.83	30.27
Mean	1.51	142	130	69.0	2.15	4.85	2.71	.38	.12	.18	.54	1.01
Max	3.2	255	258	282	.36	.68	.13	2.7	.15	.40	2.7	6.1
Min	.93	1.0	.59	.15	.10	.22	.59	.13	.08	.05	.29	.35
Acre-Ft	91	8420	7980	4240	120	297	159	24	7.2	11	33	60
Wtr Year 2002	Total	10814.42	Mean	29.6	Max	282	Min	.05	Acre-Ft	21440		
Cal Year 2001	Total	13408.81	Mean	36.7	Max	408	Min	.30	Acre-Ft	26590		

RUNOFF - DAILY DISCHARGE

Los Angeles County Dept of Public Works

USDAY V30 Output 07/30/2003

Summary Report

Station: F271 Eaton Wash Below Eaton Wash Dam
 USGS #:
 Beginning Date: 10/01/2001
 Ending Date: 09/30/2002

Daily Mean Discharge in Cubic feet/second Water Year Oct 2001 to Sep 2002

Day	OCT	NOV	DEC	JAN	FEB	MAR	APR	MAY	JUN	JUL	AUG	SEP
1	0	0	0	1.3	.72	0	0	0	0	0F	0	0
2	0	0	0	1.2	.70	0	0	0	0	0	0	0
3	0	0	.36	1.5	.73	0	0	0	0	0	0	0
4	0	0	.64	1.2	.74	0	0	0	0	0	0	0
5	0	0	.68	1.2	.55	0	0	0	0	0	0	0
6	0	0	.73	1.3	.72	.02	0	0	0	0	0	0
7	0	0	.87	1.4	.72	.33	0	0	0	0	0	0
8	0	0	.84	1.4	.72	.01	0	0	0	0	0	0
9	0	0	.83	.63	.72	0	0	0	0	0	0	0
10	0	0	.87	.09	.72	0	0	0	0	0	0	0
11	0	0	.93	.01	.72	0	0	0	0	0	0	0
12	0	.02	5.1	0	7.8	0	0	0	0	0	0	0
13	0	0	.28	0	4.3	0	0	0	0	0	0	0
14	0	0	.17	0	.18	0	0	0	0	0	0	0
15	0	.01	.19	0	.07	0	0	0	0	0	0	0
16	0	.11	.03	.09	.06	0	0	0	0	0	0	0
17	0	.13	0	.03	.14	.28	0	0	0	0	0	0
18	0	.20	0	0	.20	.83	0	0	0	0	0	0
19	0	.07	0	0	.20	.06	0	0	0	0	0	0
20	0	0	.02	0	.21	.01	0	0	0	0	0	0
21	0	0	.24	0	.20	0	0	0	0	0	0	0
22	0	0	.26	0	.18	0	0	0	0	0	0	0
23	0	0	.29	0	.15	0	0	0	0	0	0	0
24	0	.17	.37	0	.04	0	0	0	0	0	0	0
25	0	.26	.45	0	.01	0	0	0	0	0	0	0
26	0	.29	.54	0	0	0	0	0	0	0	0	0
27	0	.42	.54	.10	.01	0	0	0	0	0	0	0
28	0	.55	.55	.34	0	0	0	0	0	0	0	0
29	0	.67	.73	.39	-----	0	0	0	0	0	0	0
30	0	.43	.94	.41	-----	0	0	0	0	0	0	0
31	0	-----	1.2	.48	-----	0	-----	0	-----	0	0	-----
Total	0	3.33	18.65	13.07	21.51	1.54	0	0	0	0	0	0
Mean	0	.11	.60	.42	.77	.050	0	0	0	0	0	0
Max	0	.67	5.1	1.5	7.8	.83	0	0	0	0	0	0
Min	0	0	0	0	0	0	0	0	0	0	0	0
Acre-Ft	0	6.6	37	26	42	3.1	0	0	0	0	0	0
Wtr Year 2002	Total	58.10	Mean	.16	Max	7.8	Min	0	Acre-Ft	115		
Cal Year 2001	Total	422.84	Mean	1.16	Max	32	Min	0	Acre-Ft	841		

RUNOFF - DAILY DISCHARGE

Los Angeles County Dept of Public Works

USDAY V30 Output 04/30/2003

Summary Report

Station: F318 Eaton Wash At Loftus Drive
 USGS #:
 Beginning Date: 10/01/2001
 Ending Date: 09/30/2002

Daily Mean Discharge in Cubic feet/second Water Year Oct 2001 to Sep 2002

Day	OCT	NOV	DEC	JAN	FEB	MAR	APR	MAY	JUN	JUL	AUG	SEP
1	.36	.25	.29	1.2	.93	.27	.27	.25	.24	1.4	.32	.34
2	.34	.27	.29	1.2	.78	.24	.24	.29	.23	2.3	.36	.33
3	.31	.33	9.1	2.7	.82	.25	.25	.26	.28	2.0	.33	.30
4	.30	.33	.24	.98	.94	.31	.27	.23	.24	.41	.31	.35
5	.31	.34	.27	1.0	.84	.23	.32	.22	.28	.45	.31	.36
6	.33	.32	.27	.97	.85	.71	.31	.27	.56	.48	.29	.38
7	.34	.31	.26	1.1	1.0	.11	.31	.35	.62	.50	.30	.39
8	.34	.26	.29	.84	1.0	.36	.28	.24	.46	.54	.30	.33
9	.32	.27	.25	.90	.90	.30	.30	.26	.28	.56	.30	.52
10	.27	.27	.29	.90	1.0	.26	.25	.37	.30	.59	.36	1.2
11	.28	.39	.27	.86	.84	.33	.31	.40	.37	.55	.32	1.5
12	.35	.55	.31	.77	.75	.33	.31	.24	.29	.85	.32	1.5
13	.38	.45	.27	.73	.61	.20	.30	.35	.27	.53	.30	1.5
14	.33	.29	.19	.85	.32	.25	.26	.27	.30	.51	.32	1.4
15	.33	.32	.36	.92	.32	.21	.90	.29	.30	.78	.29	1.4
16	.34	.33	.31	.17	.30	.25	.25	.34	.29	.47	.32	1.4
17	.36	.34	.32	.82	.38	.21	.27	.25	.35	.46	.37	1.4
18	.41	.34	.30	.77	.23	.86	.24	.26	.30	.44	.34	2.1
19	.32	.40	.29	.69	.24	.22	.26	.31	.26	.43	.68	.72
20	.35	.32	.67	.72	.24	.21	.30	.10	.26	.41	.62	.41
21	.36	.34	.30	.66	.35	.24	.29	.30	1.3	.39	.30	.43
22	.37	.34	.75	.67	.22	.26	.28	.29	.30	.38	.34	.44
23	.31	.34	.66	.66	.23	.31	.25	.29	.27	.37	.29	.46
24	.41	236	.68	.25	.20	.32	4.2	.26	.77	.33	.30	.50
25	.36	.47	.63	.33	.25	.30	.35	.29	.29	.36	.27	.40
26	.35	.36	.63	.29	.25	.23	.28	.28	.57	.34	.28	.32
27	.34	.31	.99	132	.24	.33	.27	.26	2.3	.37	.29	.27
28	.31	.30	.93	.14	.23	.29	.26	.27	1.8	.30	.33	.50
29	.30	5.2	.14	.34	-----	.27	.23	.26	.35	.31	.37	4.7
30	.53	.31	1.5	.29	-----	.32	.28	.26	.29	.33	.33	.69
31	.29	-----	1.2	.43	-----	.25	-----	.27	-----	.44	.37	-----
Total	10.60	305.10	151.95	185.84	52.88	40.91	12.89	18.48	14.72	18.58	10.53	26.54
Mean	.34	10.2	4.90	5.99	1.89	1.32	.43	.60	.49	.60	.34	.88
Max	.53	236	.67	132	.38	.21	4.2	.10	2.3	2.3	.68	4.7
Min	.27	.25	.24	.25	.20	.20	.23	.22	.23	.30	.27	.27
Acre-Ft	21	606	299	368	106	83	26	37	29	37	21	52
Wtr Year 2002	Total	849.02	Mean	2.33	Max	236	Min	.20	Acre-Ft	1680		
Cal Year 2001	Total	2628.25	Mean	7.20	Max	352	Min	.20	Acre-Ft	5210		

RUNOFF - DAILY DISCHARGE

Los Angeles County Dept of Public Works

USDAY V30 Output 04/30/2003

Summary Report

Station: U7 Fish Creek
 USGS #:
 Beginning Date: 10/01/2001
 Ending Date: 09/30/2002

Daily Mean Discharge in Cubic feet/second Water Year Oct 2001 to Sep 2002

Day	OCT	NOV	DEC	JAN	FEB	MAR	APR	MAY	JUN	JUL	AUG	SEP
1	.10F	.02	.51	.56	.81	.78	.47	.47	.17	.03	0	0
2	.10	.02	.56	.54	.74	.95	.40	.53	.15	.01	0	0
3	.10	.02	1.2	.53	.64	.82	.41	.60	.14	.01	0	0F
4	.10	.02	1.1	.51	.61	.65	.41	.54	.14	.01	0	0
5	.10	.01	.96	.48	.59	.56	.46	.48	.11	.01	0	0
6	.10	0	1.0	.49	.59	.56	.60	.41	.11	0	0	.01
7	.10	0	1.0	.52	.55	1.4	.55	.47	.11	0	0	.01
8	.09	0	1.0	.55	.56	1.5	.45	.67	.10	0	0	.01
9	.08	0	1.6	.59	.53	.98	.41	.56	.09	0	0	0
10	.08	0	6.6	.70	.52	.58	.38	.46	.09	0	0	0
11	.08	0	5.8	.81	.50	1.1	.36	.39	.09	0	0	0
12	.08	.31	4.3	.85	.50	1.4	.34	.33	.08	0	0	0
13	.08	.95	4.3	.87	.50	.73	.34	.29	.08	0	0F	0
14	.07	.75	7.4	.82	.50	.31*	.34	.26	.07	0	0	0
15	.07	.71	7.7	.88	.50		.34	.25	.06	0	0	0
16	.07	.68	3.9	.97	.50		.39	.23	.06	0	0	0
17	.05	.68	2.0	1.0	1.3	.39*	.37	.22	.06	0	0	0
18	.05	2.5	1.2	1.1	.89	.45*	.35	.21	.05	0	0	0
19	.05	1.9*	1.1	1.1	.68	.48*	.35	.20	.05	0	0	0
20	.04	.75	1.2	1.1	.67	.51*	.36	1.6	.05	0	0	0
21	.03	1.9*	4.5	1.1	.62	.52*	.34	1.2	.05	0	0	0
22	.03	1.9*	2.3	1.2	.62	.53*	.32	.56	.05	0	0	0
23	.03	1.9*	1.4	1.2	.62	.55*	.32	.43	.05	0	0	0
24	.03	1.9*	1.0	1.2	.62	.56*	.32	.33	.04	0	0	0
25	.03	1.9*	.86	1.3	.61	.56*	.38	.33	.04	0	0	0
26	.03	1.9*	.75	1.3	.61	.53*	.53	.24	.04	0	0	0
27	.04	1.9*	.71	5.8	.56	.48	.79	.27	.04	0	0	0
28	.04	1.8*	.59	.13	.56	.48	.74	.29	.04	0	0	0
29	.03	2.0*	.64	2.8	-----	.71	.51	.25	.04	0	0	0
30	.02	2.0*	.67	1.5	-----	.74	.43	.19	.03	0	0	.01F
31	.02	-----	.58	1.0	-----	.63	-----	.18	-----	0	0	-----
Total	1.92	28.42	68.43	46.37	17.50	20.44	12.76	13.44	2.28	0.07	0	0.04
Mean	.062	.95	2.21	1.50	.63	.70	.43	.43	.076	.002	0	.001
Max	.10	2.5	7.7	13	1.3	1.5	.79	1.6	.17	.03	0	.01
Min	.02	0	.51	.48	.50	.31	.32	.18	.03	0	0	0
Acre-Ft	4.0	56	137	92	35	41	25	27	4.5	.1	0	.05
Wtr Year 2002	Total	211.67	Mean	.58	Max	13	Min	0	Acre-Ft	420		
Cal Year 2001	Total	482.84	Mean	1.32	Max	25	Min	0	Acre-Ft	957		

RUNOFF - DAILY DISCHARGE

Los Angeles County Dept of Public Works

USDAY V30 Output 07/30/2003

Summary Report

Station: F251 San Gabriel River - West Fork At Toe Of San Gabriel Dam
 USGS #:
 Beginning Date: 10/01/2001
 Ending Date: 09/30/2002

Daily Mean Discharge in Cubic feet/second Water Year Oct 2001 to Sep 2002

Day	OCT	NOV	DEC	JAN	FEB	MAR	APR	MAY	JUN	JUL	AUG	SEP
1	8.2F	8.1*	7.0	2.7	3.8	3.0	2.1	2.1	1.7	1.1	1.3	.88
2	8.1	8.0*	6.7	2.5F	3.7	2.9	2.1	2.1	1.7	1.3	1.3	.86
3	9.0*	7.9*	6.7	2.5	3.7	2.9	2.1F	2.0	1.7F	1.3	1.3	1.1
4	9.0*	7.9*	5.6F	2.4	3.6	2.8	2.2	2.0	1.7	1.4	1.3	1.2
5	9.0*	7.8*	4.7	2.4	3.6	2.8F	2.2	2.0	1.7	1.4	1.3	1.2
6	9.0*	6.1	4.4	2.3	3.3	2.7	2.2	2.0	1.7	1.4	1.3	1.2
7	9.0*	5.7	4.2	2.3	3.1	2.7	2.2	2.0	1.6	1.4	1.3	1.1
8	9.0*	5.8	4.1	2.2	3.0	2.7	2.2	2.0F	1.6	1.4	1.3	.77
9	9.0*	5.7	4.1	2.5	3.0	2.7	2.2	2.0	1.5	1.3	1.3	.62
10	9.1*	5.7	4.2	3.0	3.0	2.6	2.1	2.0	1.5	1.3	1.3	.62
11	9.1*	5.7	3.9	2.9	3.0F	2.6	2.1	2.0	1.5	1.2	1.2	.61
12	9.1*	5.9	3.8	2.8	3.0	2.5	2.1	2.0	1.5	1.2	1.2	.59
13	9.1*	6.4	3.7	2.8	3.1	2.5	2.1	1.9	1.5	1.1	1.3	.59
14	9.1*	6.4	3.7	2.8	3.1	2.4	2.1	1.9	1.5	1.1	1.3	.59
15	9.1*	6.4	3.8	2.8	2.9	2.4	2.1	1.9	1.5	1.3	1.3	.59
16	9.0*	6.4	3.6	2.7	2.9	2.4	2.2	1.8	1.5	1.4	1.3	.59
17	9.0*	6.5	3.6	2.7	3.0	2.4	2.1	1.8	1.5	1.4	1.2	.58
18	8.9*	6.4	3.6	2.7	3.0	2.5	2.1	1.8	1.5	1.4	1.2	.58
19	8.9*	6.4	3.6	2.7	3.0	2.4	2.1	1.8	1.5	1.4	1.2	.58
20	8.8*	6.4	3.6	2.5	3.1	2.4	2.1	1.8	1.6	1.4	1.2	.58
21	8.8*	6.3	3.9	2.5	3.0	2.3	2.1	1.8	1.6	1.4	1.1	.58
22	8.7*	6.2	3.7	2.5	3.0	2.3	2.1	1.8	1.6	1.4	1.1	.60
23	8.7*	6.2	3.5	2.5	3.0	2.3	2.1	1.9	1.6	1.4	1.1	.58
24	8.6*	7.1	3.4	2.6	3.0	2.3	2.1	1.9	1.5	1.4	1.1	.57
25	8.6*	8.4	3.3	2.6	2.9	2.3	2.1	1.9	1.5	1.4	1.1	.56
26	8.5*	8.1	3.2	2.6	2.8	2.2	2.0	1.9	.91	1.4	1.0	.55
27	8.5*	7.8	3.1	2.9	3.0	2.2	2.0	1.8	.09	1.4	1.0	.54
28	8.4*	7.6	2.9	4.3	3.0	2.2	2.0	1.8	.01	1.4	1.0	.53
29	8.3*	7.4	2.9	4.1	-----	2.1	2.0	1.7	.01	1.4	.97	.52
30	8.2*	7.3	2.8	4.0	-----	2.1	2.0	1.7	.04	1.3	.93	.51
31	8.1*	-----	2.8	3.8	-----	2.1	-----	1.7	-----	1.3	.92	-----
Total	271.9	204.0	124.1	86.6	87.6	76.7	63.2	58.8	40.36	41.4	36.72	20.97
Mean	8.77	6.80	4.00	2.79	3.13	2.47	2.11	1.90	1.35	1.34	1.18	.70
Max	9.1	8.4	7.0	4.3	3.8	3.0	2.2	2.1	1.7	1.4	1.3	1.2
Min	8.1	5.7	2.8	2.2	2.8	2.1	2.0	1.7	.01	1.1	.92	.51
Acre-Ft	540	406	245	172	174	152	126	117	81	81	72	42
Wtr Year 2002	Total	1112.35	Mean	3.05	Max	9.1	Min	.01	Acre-Ft	2210		
Cal Year 2001	Total	3106.7	Mean	8.51	Max	14	Min	1.8	Acre-Ft	6170		

RUNOFF - DAILY DISCHARGE

Los Angeles County Dept of Public Works

USDAY V30 Output 02/04/2004

Summary Report

Station: L1 Little Rock Creek Above Little Rock Dam
 USGS #:
 Beginning Date: 10/01/2001
 Ending Date: 09/30/2002

Daily Mean Discharge in Cubic feet/second Water Year Oct 2001 to Sep 2002

Day	OCT	NOV	DEC	JAN	FEB	MAR	APR	MAY	JUN	JUL	AUG	SEP
1	0	0	0	1070	2.0	1.6	.38	.74	.12	6.7	6.5	6.8
2	0	0	0	1070	1.9	1.5	.35	.71	.10	6.6	6.5	6.5
3	0	0	0	1070	1.9	1.5	.32	.69	.08	6.6	6.7	6.3
4	0	0	0	1070	1.9	1.5	.51	.67	.05	6.7	6.7	6.8
5	0	0	0	1070	1.9	1.5	.95	.66	.36	6.7	6.7	6.8
6	0	0	0	1070	1.9	1.5	.94	.64	3.1	6.6	6.8	6.8
7	0	0	0	1080	1.9	1.5	.94	.62	2.7	6.3	6.4	6.8
8	0	0	0	1080	2.0	1.7	.93	.62	3.4	6.4	6.6	6.8
9	0	0	0	1080	2.0	1.7	.90	.62	3.0	6.3	6.1	6.7
10	0	0	1.7	1080	2.0	1.6	.88	.60	2.6	6.1	6.3	6.8
11	0	0	1.5	1090	2.0	1.5	.86	.57	5.2	6.7	6.1	6.6
12	0	0	1.4	1100	2.0	1.5	.82	.54	6.6	6.4	6.2	6.7
13	0	0	1.4	1100	2.0	1.4	.79	.51	6.7	6.5	6.1	6.7
14	0	0	1.4	1100	2.0	1.4	.75	.49	6.5	6.3	6.4	6.6
15	0	0	1.4	1110	2.0	1.3	.71	.46	6.5	6.7	6.3	6.8
16	0	0	1.4	1110	2.0	1.3	.69	.43	6.5	6.4	6.4	6.6
17	0	0	1.4	1110	2.2	1.4	.69	.41	6.3	6.6	6.5	6.8
18	0	0	1.4		2.2	1.5	.69	.38	6.5	6.6	6.6	6.8
19	0	0	1.4		2.2	1.5	.69	.35	6.8	6.5	6.7	6.5
20	0	0	1.5		2.1	1.5	.71	.35	6.7	6.6	6.6	6.7
21	0	0	1.6		2.1	.96	.75	.33	6.7	6.7	6.8	6.6
22	0	0	1.6		2.1	.50	.77	.32	6.6	6.7	6.7	6.7
23	0	0	1.6		2.2	.46	.75	.31	6.5	6.4	6.6	6.8
24	0	0	1.7		2.0	.45	.75	.30	6.7	6.2	6.5	6.5
25	0	0	1.6	1.2	1.9	.45	.75	.28	6.8	6.5	6.5	6.8
26	0	0	1.7	1.2	1.8	.45	.75	.26	6.7	6.8	6.6	6.7
27	0	0	1.7	1.3	1.8	.45	.80	.24	6.7	6.6	6.7	6.8
28	0	0	1.8	2.6	1.7	.45	.81	.22	6.7	6.5	6.5	6.7
29	0	0	1.8	3.2	-----	.45	.79	.19	6.4	6.1	6.8	6.8
30	0	0	1.9	2.4	-----	.45	.77	.17	6.7	6.6	6.8	
31	0	-----	1.9	2.1	-----	.42	-----	.14	-----	6.7	6.8	-----
Total	0	0	34.8	18474.0	55.7	35.39	22.19	13.82	146.31	202.1	202.5	194.3
Mean	0	0	1.12	770	1.99	1.14	.74	.45	4.88	6.52	6.53	6.70
Max	0	0	1.9	1110	2.2	1.7	.95	.74	6.8	6.8	6.8	6.8
Min	0	0	0	1.2	1.7	.42	.32	.14	.05	6.1	6.1	6.3
Acre-Ft	0	0	69	36620	111	70	44	27	287	397	398	377
Wtr Year 2002	Total	19381.11	Mean	54.3	Max	1110	Min	0	Acre-Ft	38400		
Cal Year 2001	Total	5410.13	Mean	14.8	Max	154	Min	0	Acre-Ft	10730		

RUNOFF - DAILY DISCHARGE

Los Angeles County Dept of Public Works

USDAY V30 Output 07/30/2003

Summary Report

Station: F356 Live Oak Creek Below Live Oak Dam
 USGS #:
 Beginning Date: 10/01/2001
 Ending Date: 09/30/2002

Daily Mean Discharge in Cubic feet/second Water Year Oct 2001 to Sep 2002

Day	OCT	NOV	DEC	JAN	FEB	MAR	APR	MAY	JUN	JUL	AUG	SEP
1	0	0	0	0	0	0	0	0	0	0	0	0
2	0	0	0	0	0	0	0	0	0	0	0	0
3	0	0	0	0	0	0	0	0	0	0	0	0
4	0	0	0	0	0	0	0	0	0	0	0	0
5	0	0	0	0	0	0	0	0	0	0	0F	0
6	0	0	0	0	0	0	0	0	0	0	0	0
7	0	0	0	0	0	0	0	0	0	0	0	0
8	0	0	0	0	0	0	0	0	0	0	0	0
9	0	0	0	0	0	0	0	0	0	0	0	0
10	0	0	0	0	0	0	0	0	0	0	0	0
11	0	0	0	0	0	0	0	0	0	0	0	0
12	0	0	0	0	0	0	0	0	0	0	0	0
13	0	0	0	0	0	0	0	0	0	0	0	0
14	0	0	0	0	0	0	0	0	0	0	0	0
15	0	0	0	0	0	0	0	0	0	0	0	0
16	0	0	0	0	0	0	0	0	0	0	0	0
17	0	0	0	0	0	0	0	0	0	0	0	0
18	0	0	0	0	0	0	0	0	0	0	0	0
19	0	0	0	0	0	0	0	0	0	0	0	0
20	0	0	0	0	0	0	0	0	0	0	0	0
21	0	0	0	0	0	0	0	.10	0	0	0	0
22	0	0	0	0	0	0	0	0	0	0	0	0
23	0	0	0	0	0	0	0	0	0	0	0	0
24	0	.10	0	0	0	0	0	0	0	0	0	0
25	0	.15	0	0	0	0	0	0	0	0	0	0
26	0	.09	0	0	0	0	0	0	0	0	0	0
27	0	0	0	0	0	0	0	0	0	0	0	0
28	0	0	0	0	0	0	0	0	0	0	0	0
29	0	0	0	0	-----	0	0	0	0	0	0	0
30	.28	0	0	0	-----	0	0	0	0	0	0	0
31	.39	-----	0	0	-----	0	-----	0	-----	0	0	-----
Total	0.67	0.34	0	0	0	0	0	0.10	0	0	0	0
Mean	.022	.011	0	0	0	0	0	.003	0	0	0	0
Max	.39	.15	0	0	0	0	0	.10	0	0	0	0
Min	0	0	0	0	0	0	0	0	0	0	0	0
Acre-Ft	1.4	.7	0	0	0	0	0	.2	0	0	0	0
Wtr Year 2002	Total	1.11	Mean	.003	Max	.39	Min	0	Acre-Ft	2.3		
Cal Year 2001	Total	58.93	Mean	.16	Max	20	Min	0	Acre-Ft	117		

RUNOFF - DAILY DISCHARGE

Los Angeles County Dept of Public Works

USDAY V30 Output 04/30/2003

Summary Report

Station: F300 Los Angeles River At Tujunga Avenue
 USGS #:
 Beginning Date: 10/01/2001
 Ending Date: 09/30/2002

Daily Mean Discharge in Cubic feet/second Water Year Oct 2001 to Sep 2002

Day	OCT	NOV	DEC	JAN	FEB	MAR	APR	MAY	JUN	JUL	AUG	SEP
1	49	64	73	77	79	85	72	77	60	88	89	62
2	49	72	71	91	72	84	73	80	57	96	92	60
3	47	71	270	260	74	83	71	79	74	90	94	73
4	44	66	72	82	72	86	71	82	81	89	95	83
5	49	62	59	75	77	85	70	79	77	89	90	87
6	61	39	27	74	71	74	76	80	91	90	83	83
7	45	62	57	80	68	241	70	82	74	91	83	82
8	40	66	80	94	79	89	78	82	59	99	79	80
9	39	69	85	97	76	86	69	83	59	100	82	82
10	54	59	81	89	74	86	64	79	73	89	80	86
11	55	104	78	89	80	83	54	82	77	79	81	86
12	44	662	74	79	89	81	71	79	78	89	81	84
13	45	99	69	81	85	80	73	79	73	90	70	84
14	46	63	149	85	82	79	72	81	79	85	65	84
15	45	62	84	82	84	81	85	77	82	92	77	79
16	47	65	76	276	74	77	75	78	86	90	73	78
17	47	62	78	82	296	93	77	77	95	83	62	85
18	49	61	80	79	85	116	73	78	88	77	61	88
19	46	60	78	71	83	72	72	76	86	82	64	87
20	48	62	298	71	85	80	69	263	86	72	63	87
21	51	62	428	76	129	79	69	79	88	69	51	88
22	57	61	87	78	88	80	52	73	88	73	61	87
23	62	57	76	72	86	96	61	71	82	70	82	88
24	50	1490	75	76	84	78	70	74	85	71	80	96
25	45	104	73	79	87	71	72	76	86	71	84	84
26	48	64	75	77	88	68	67	75	84	71	79	84
27	54	60	79	838	91	74	68	72	87	70	82	85
28	49	62	76	236	87	63	67	75	89	71	81	84
29	51	345	490	91	-----	59	70	73	76	71	83	94
30	166	86	107	79	-----	63	72	77	75	90	68	85
31	63	-----	89	76	-----	74	-----	62	-----	94	61	-----
Total	1645	4321	3594	3792	2525	2646	2103	2580	2375	2581	2376	2495
Mean	53.1	144	116	122	90.2	85.4	70.1	83.2	79.2	83.3	76.6	83.2
Max	166	1490	490	838	296	241	85	263	95	100	95	96
Min	39	39	27	71	68	59	52	62	57	69	51	60
Acre-Ft	3260	8550	7130	7520	5000	5250	4170	5120	4710	5120	4710	4950
Wtr Year 2002	Total	33033	Mean	90.5	Max	1490	Min	27	Acre-Ft	65490		
Cal Year 2001	Total	64192	Mean	176	Max	5370	Min	26	Acre-Ft	127300		

RUNOFF - DAILY DISCHARGE

Los Angeles County Dept of Public Works

USDAY V30 Output 04/30/2003

Summary Report

Station: F57 Los Angeles River Above Arroyo Seco
 USGS #:
 Beginning Date: 10/01/2001
 Ending Date: 09/30/2002

Daily Mean Discharge in Cubic feet/second Water Year Oct 2001 to Sep 2002

Day	OCT	NOV	DEC	JAN	FEB	MAR	APR	MAY	JUN	JUL	AUG	SEP
1	133	120	95	137	134	174	170	131	124	125	126	140
2	134	133	92	152	135	183	164	127	118	132	135	118
3	133	137	322	416	141	189	164	126	129	129	135	129
4	130	132	98	152	145	202	154	127	141	126	125	151
5	120	133	94	144	143	218	154	122	139	123	126	159
6	150	109	65	150	138	233	160	121	155	120	128	166
7	133	129	88	159	135	514	147	124	136	121	130	157
8	116	145	106	181	152	213	154	119	118	126	137	143
9	113	149	265	191	157	219	148	119	110	134	144	138
10	136	149	138	193	157	227	144	115	112	137	152	135
11	139	196	107	193	168	228	131	117	114	135	165	136
12	116	1110	106	192	177	220	155	112	109	136	176	140
13	120	217	105	198	179	221	162	111	109	121	169	135
14	119	102	195	216	183	211	150	112	111	110	148	147
15	121	99	136	217	190	223	192	107	116	116	138	137
16	118	101	120	440	186	227	159	108	114	122	138	144
17	120	102	125	189	548	273	163	107	126	127	127	154
18	120	101	135	190	169	317	156	108	121	124	132	178
19	114	103	139	180	161	185	150	106	122	135	139	137
20	119	105	490	177	162	193	145	285	121	136	129	107
21	118	108	892	186	200	197	142	118	126	106	108	112
22	124	109	139	199	164	198	130	103	116	106	107	111
23	117	107	122	191	159	222	126	103	107	106	127	116
24	122	2540	123	190	157	185	143	104	110	112	127	133
25	109	160	121	203	159	175	138	109	111	118	135	131
26	112	92	127	206	158	164	136	107	113	132	140	135
27	124	91	142	1550	169	175	130	111	118	139	159	139
28	114	90	140	548	166	163	126	117	123	135	174	158
29	117	391	796	148	-----	149	127	126	120	105	189	222
30	244	109	165	133	-----	153	131	136	115	115	184	109
31	153	-----	167	132	-----	176	-----	130	-----	128	155	-----
Total	3958	7369	5955	7753	4892	6627	4451	3768	3604	3837	4404	4217
Mean	128	246	192	250	175	214	148	122	120	124	142	141
Max	244	2540	892	1550	548	514	192	285	155	139	189	222
Min	109	90	65	132	134	149	126	103	107	105	107	107
Acre-Ft	7850	14600	11810	15380	9710	13140	8820	7470	7150	7610	8740	8360
Wtr Year 2002	Total	60835	Mean	167	Max	2540	Min	65	Acre-Ft	120600		
Cal Year 2001	Total	95082	Mean	260	Max	8010	Min	65	Acre-Ft	188600		

RUNOFF - DAILY DISCHARGE

Los Angeles County Dept of Public Works

USDAY V30 Output 04/30/2003

Summary Report

Station: F34 Los Angeles River Below Firestone
 USGS #:
 Beginning Date: 10/01/2001
 Ending Date: 09/30/2002

Daily Mean Discharge in Cubic feet/second Water Year Oct 2001 to Sep 2002

Day	OCT	NOV	DEC	JAN	FEB	MAR	APR	MAY	JUN	JUL	AUG	SEP
1	130	128	129	128	145	143	144	128	128	128	130	130
2	130	129	129	129	144	143	144	127	129	129	130	128
3	128	129	380	285	142	143	144	127	130	128	130	127
4	127	129	128	129	142	143	144	127	129	129	130	127
5	127	129	128	128	142	144	144	127	129	129	130	127
6	127	128	129	129	142	143	144	128	129	128	130	127
7	127	130	128	129	142	144	142	128	130	128	130	127
8	128	130	130	127	142	143	142	129	129	127	130	128
9	130	128	129	130	142	144	143	129	127	130	130	130
10	130	127	305	128	143	143	142	128	127	129	130	130
11	129	128	128	127	143	144	142	127	128	129	130	130
12	128	129	129	127	145	143	144	127	128	128	130	130
13	129	128	129	127	145	143	142	127	130	129	130	130
14	129	129	251	127	145	144	142	127	128	130	130	130
15	127	129	170	127	145	144	144	128	128	130	130	130
16	128	128	128	128	143	143	142	127	129	130	130	127
17	130	130	128	129	736	143	143	128	130	130	130	127
18	130	129	127	128	143	144	142	128	129	128	130	129
19	130	130	129	129	143	144	142	129	127	130	129	127
20	127	130	140	128	143	143	142	129	127	130	130	127
21	127	130	1190	207	145	143	142	129	129	130	128	127
22	127	130	165	127	145	143	142	128	128	130	129	127
23	127	130	154	127	145	143	143	128	129	130	127	129
24	129	129	162	127	143	143	143	128	130	130	127	127
25	130	129	165	127	143	143	143	128	130	130	128	130
26	127	129	164	127	143	142	142	129	129	130	130	130
27	127	128	164	956	143	143	142	129	128	130	128	128
28	127	128	167	343	143	144	142	129	128	130	127	129
29	127	129	671	135	-----	144	142	128	129	130	130	129
30	127	129	321	129	-----	143	142	128	129	130	128	129
31	128	-----	203	129	-----	143	-----	127	-----	130	129	-----
Total	3974	3868	6700	5253	4607	4442	4281	3966	3860	4009	4010	3853
Mean	128	129	216	169	165	143	143	128	129	129	129	128
Max	130	130	1190	956	736	144	144	129	130	130	130	130
Min	127	127	127	127	142	142	142	127	127	127	127	127
Acre-Ft	7890	7670	13290	10420	9130	8810	8490	7870	7650	7950	7950	7640
Wtr Year 2002	Total	52823	Mean	145	Max	1190	Min	127	Acre-Ft	104800		
Cal Year 2001	Total	122264	Mean	335	Max	10100	Min	88	Acre-Ft	242600		

RUNOFF - DAILY DISCHARGE

Los Angeles County Dept of Public Works

USDAY V30 Output 04/30/2003

Summary Report

Station: F319 Los Angeles River Below Wardlow Road
 USGS #:
 Beginning Date: 10/01/2001
 Ending Date: 09/30/2002

Daily Mean Discharge in Cubic feet/second Water Year Oct 2001 to Sep 2002

Day	OCT	NOV	DEC	JAN	FEB	MAR	APR	MAY	JUN	JUL	AUG	SEP
1	142	136	165	230	148	180	177	140	131	136	139	140
2	135	134	431	438	153	178	178	139	131	135	139	139
3	135	134	223	309	157	178	178	138	133	136	140	137
4	133	134	158	234	161	179	177	139	137	135	139	148F
5	133	131	140	229	166	179	178	139	136	135	138	140
6	139	130	137	221	171	280	179	140	138	136	139	144
7	134	141	143	215	175	264	178	142	139	136	138	140
8	132	142	149	172	180	186	179	140	133	137	138	139
9	135	144	316	150	185	179	179	141	133	138	143	137
10	146	153	199	146	190	180	174	140	133	138	145	137
11	140	1260	159	145	195	180	170	139	138	136	149	143
12	133	826	157	142	201	178	173	138	134	134	150	146
13	138	212	274	145	206	175	176	138	135	137	150	146
14	143	137	225	146	212	175	189	138	132	138	152	145
15	144	136	171	210	218	176	195	138	135	137	150	147
16	144	138	163	175	548	221	181	138	134	138	161	144
17	143	133	167	145	433	318	178	138	137	136	157	143
18	140	135	172	142	238	266	177	139	137	131	156	144
19	140	141	183	139	206	176	176	140	138	128	159	146
20	140	149	1360	139	193	175	175	259	136	131	164	142
21	140	147	545	141	193	175	174	162	139	128	167	143
22	140	143	204	142	185	186	169	135	140	129	144	145
23	140	3840	209	142	182	189	171	135	137	129	137	142
24	140	991	214	142	180	180	180	134	138	129	137	147
25	140	204	213	142	179	176	177	136	138	127	139	159
26	139	165	212	771	181	175	175	137	139	128	142	151
27	137	162	216	606	182	177	173	135	137	128	139	147
28	137	427	715	227	182	174	173	136	138	130	141	146
29	137	251	529	144	-----	170	173	135	139	129	143	190
30	137	173	303	139	-----	173	174	135	133	129	147	142
31	137	-----	239	143	-----	176	-----	133	-----	142	140	-----
Total	4293	11149	8691	6611	5800	5974	5306	4416	4078	4136	4522	4359
Mean	138	372	280	213	207	193	177	142	136	133	146	145
Max	146	3840	1360	771	548	318	195	259	140	142	167	190
Min	132	130	137	139	148	170	169	133	131	127	137	137
Acre-Ft	8520	22100	17260	13110	11510	11850	10520	8760	8090	8200	8970	8640
Wtr Year 2002	Total	69335	Mean	190	Max	3840	Min	127	Acre-Ft	137500		
Cal Year 2001	Total	150377	Mean	412	Max	12700	Min	116	Acre-Ft	298300		

RUNOFF - DAILY DISCHARGE

Los Angeles County Dept of Public Works

USDAY V30 Output 04/30/2003

Summary Report

Station: F130 Malibu Creek Below Cold Creek
 USGS #:
 Beginning Date: 10/01/2001
 Ending Date: 09/30/2002

Daily Mean Discharge in Cubic feet/second Water Year Oct 2001 to Sep 2002

Day	OCT	NOV	DEC	JAN	FEB	MAR	APR	MAY	JUN	JUL	AUG	SEP
1	1.7	3.9	15	17	24	13	17	7.1	6.4	9.7	3.3	3.0
2	1.5	2.4	14	14	31	17	20	7.0	6.4	11	3.4	2.4
3	1.4	1.8	23	21	32	20	18	6.3	6.6	11	3.4	2.1
4	1.4	1.6	34	16	27	14	18	6.4	6.9	11	3.1	2.2
5	1.6	1.4	18	14	25	14	14	6.4	7.5	11	3.0	2.4
6	1.8	2.2	15	12	21	13	10	6.4	7.9	11	3.3	2.8
7	4.1	2.8	14	16	18	15	16	6.2	8.5	11	3.4	2.7
8	5.2	2.8	14	14	23	19	14	6.0	8.8	11	3.4	3.2
9	1.9	2.6	12	16	17	19	15	6.1	8.8	11	3.4	3.9
10	1.5	2.1	13	13	21	22	15	6.3	8.4	11	3.7	2.6
11	1.5	5.1	14	15	20	12	11	6.0	7.9	10	3.9	2.8
12	1.5	17	14	14	17	13	18	5.9	7.8	10	3.6	3.0
13	1.3	27	12	11	18	14	12	12	7.8	11	3.6	3.2
14	1.2	9.5	14	14	18	13	14	8.0	7.5	9.9	3.6	3.3
15	1.1	13	17	13	17	12	8.9	6.7	7.6	6.4	3.8	3.3
16	1.0	8.0	12	15	21	12	8.6	6.5	8.0	4.8	3.5	3.4
17	.89	6.5	16	10	35	15	8.2	5.7	8.1	4.8	3.7	3.5
18	.92	6.1	9.4	12	36	13	7.9	5.6	8.5	5.0	3.8	3.2
19	.98	6.1	15	8.5	26	13	8.1	5.6	8.7	5.6	3.3	3.0
20	1.0	5.2	11	13	23	12	8.4	6.9	8.9	5.5	3.1	3.4
21	1.0	4.9	26	7.9	22	12	8.7	7.2	9.2	5.6	3.2	3.5
22	1.0	5.9	23	9.5	18	15	8.4	6.5	10	5.7	3.5	3.6
23	1.3	4.9	17	19	19	15	7.5	6.5	10	4.9	3.4	3.6
24	1.5	93	16	24	21	13	7.1	6.6	10	4.1	3.4	3.6
25	1.6	46	11	27	17	14	7.0	7.1	10	3.8	3.3	3.7
26	1.6	20	12	24	15	14	6.9	7.2	9.0	3.5	3.2	3.7
27	1.6	25	13	39	14	13	7.4	7.3	8.7	3.2	3.2	3.7
28	1.6	12	9.5	78	17	12	7.7	6.9	9.2	2.7	3.1	3.9
29	1.6	15	34	53	-----	13	7.6	6.5	9.5	2.7	3.0	4.0
30	1.9	12	34	44	-----	16	7.3	6.8	9.4	3.0	2.9	3.8
31	3.0	-----	19	32	-----	17	-----	6.5	-----	3.2	2.9	-----
Total	51.19	365.8	520.9	635.9	613	449	337.7	208.2	252.0	224.1	104.4	96.5
Mean	1.65	12.2	16.8	20.5	21.9	14.5	11.3	6.72	8.40	7.23	3.37	3.22
Max	5.2	93	34	78	36	22	20	12	10	11	3.9	4.0
Min	.89	1.4	9.4	7.9	14	12	6.9	5.6	6.4	2.7	2.9	2.1
Acre-Ft	101	725	1030	1260	1220	886	670	414	503	443	207	191
Wtr Year 2002	Total	3858.69	Mean	10.6	Max	93	Min	.89	Acre-Ft	7650		
Cal Year 2001	Total	19813.26	Mean	54.3	Max	3950	Min	.78	Acre-Ft	39290		

RUNOFF - DAILY DISCHARGE

U. S. DEPARTMENT OF THE INTERIOR - U. S. GEOLOGICAL SURVEY - WATER RESOURCES

STATION NUMBER 10264682 Mescal C nr Pinon Hills CA Stream Source Agency USGS STATE 06 COUNTY 037
 LATITUDE 342532 LONGITUDE 1174243 NAD27 DRAINAGE AREA 5.41* CONTRIBUTING DRAINAGE AREA DATUM 4800 NAVD88
 Date Processed: 2003-09-17 14:03 By jmcombs

WORKING
 DD #1

Discharge, cubic feet per second, WATER YEAR OCTOBER 2002 TO SEPTEMBER 2003
 DAILY MEAN VALUES

DAY	OCT	NOV	DEC	JAN	FEB	MAR	APR	MAY	JUN	JUL	AUG	SEP
1	0.00	0.00	0.00	0.00	0.00	20	0.00	0.00	0.75	0.02	0.00	0.00
2	0.00	0.00	0.00	0.00	0.00	20	0.00	0.00	0.12	0.01	0.00	0.00
3	0.00	0.00	0.00	0.00	0.00	20	0.00	0.28	0.15	0.01	0.00	16
4	0.00	0.00	0.00	0.00	0.00	19	0.00	0.00	0.17	0.01	0.00	7.6
5	0.00	0.00	0.00	0.00	0.00	20	0.00	0.00	0.16	0.00	0.00	0.00
6	0.00	0.00	0.00	0.00	0.00	19	0.00	0.00	0.16	0.00	0.00	0.00
7	0.00	0.00	0.00	0.00	0.00	19	0.00	0.00	0.15	0.00	0.00	0.00
8	0.00	0.00	0.00	0.00	0.00	19	0.00	0.00	0.14	0.00	0.00	0.00
9	0.00	0.00	0.00	0.00	0.00	19	0.00	0.00	0.14	0.00	0.00	0.00
10	0.00	0.00	0.00	0.00	0.00	19	0.00	0.00	0.13	0.00	0.00	0.00
11	0.00	0.00	0.00	0.00	0.00	19	0.00	0.00	0.13	0.00	0.00	0.00
12	0.00	0.00	0.00	0.00	23	18	0.00	0.00	0.13	0.00	0.00	0.00
13	0.00	0.00	0.00	0.00	35	18	0.00	0.01	0.12	0.00	0.00	0.00
14	0.00	0.00	0.00	0.00	36	19	0.00	0.01	0.11	0.00	0.00	0.00
15	0.00	0.00	0.00	0.00	18	24	0.00	0.01	0.10	0.00	0.00	0.00
16	0.00	0.00	0.00	0.00	17	48	0.00	0.01	0.10	0.00	0.00	0.00
17	0.00	0.00	0.00	0.00	16	37	0.00	0.01	0.09	0.00	0.00	---
18	0.00	0.00	0.00	0.00	22	36	11	0.01	0.08	0.00	0.00	---
19	0.00	0.00	0.00	0.00	23	35	33	0.02	0.08	0.00	0.00	---
20	0.00	0.00	0.00	0.00	23	34	32	0.02	0.08	0.00	0.00	---
21	0.00	0.00	0.00	0.00	22	34	14	0.02	0.08	0.00	0.00	---
22	0.00	0.00	0.00	0.00	21	33	0.00	0.04	0.07	0.00	0.00	---
23	0.00	0.00	0.00	0.00	21	26	0.00	5.1	0.06	0.00	0.00	---
24	0.00	0.00	0.00	0.00	21	3.0	0.00	3.2	0.07	0.00	0.05	---
25	0.00	0.00	0.00	0.00	20	0.19	0.00	0.09	0.05	0.00	0.00	---
26	0.00	0.00	0.00	0.00	20	0.00	13	0.08	0.05	0.00	0.00	---
27	0.00	0.00	0.00	0.00	21	0.00	36	0.08	0.04	0.00	0.00	---
28	0.00	0.00	0.00	0.00	21	0.00	38	0.12	0.03	0.00	0.00	---
29	0.00	0.00	0.00	0.00	---	0.00	26	0.11	0.02	0.00	0.00	---
30	0.00	0.00	0.00	0.00	---	0.00	0.20	0.10	0.02	0.00	0.00	---
31	0.00	---	0.00	0.00	---	0.00	---	0.12	---	0.00	0.00	---
TOTAL	0.00	0.00	0.00	0.00	380.00	578.19	203.20	9.44	3.58	0.05	0.05	---
MEAN	0.000	0.000	0.000	0.000	13.6	18.7	6.77	0.30	0.12	0.002	0.002	---
MAX	0.00	0.00	0.00	0.00	36	48	38	5.1	0.75	0.02	0.05	---
MIN	0.00	0.00	0.00	0.00	0.00	0.00	0.00	0.00	0.02	0.00	0.00	---
AC-FT	0.00	0.00	0.00	0.00	754	1150	403	19	7.1	0.1	0.1	---

RUNOFF - DAILY DISCHARGE

U. S. DEPARTMENT OF THE INTERIOR - U. S. GEOLOGICAL SURVEY - WATER RESOURCES

STATION NUMBER 11107770 MINT CYN C A SIERRA HWY NR SAUGUS CA STREAM SOURCE AGENCY USGS STATE 06 COUNTY 037
 LATITUDE 342552 LONGITUDE 1182631 NAD27 DRAINAGE AREA 28.02* CONTRIBUTING DRAINAGE AREA DATUM 1540 NAVD88

Date Processed: 2003-09-17 14:05 By jmcombs

WORKING

DD #1

Discharge, cubic feet per second, WATER YEAR OCTOBER 2002 TO SEPTEMBER 2003

DAILY MEAN VALUES

DAY	OCT	NOV	DEC	JAN	FEB	MAR	APR	MAY	JUN	JUL	AUG	SEP
1	0.00	0.00	0.00	0.00	0.00	0.00	0.00	0.00	0.00	0.00	0.00	0.00
2	0.00	0.00	0.00	0.00	0.00	0.00	0.00	0.00	0.00	0.00	0.00	0.00
3	0.00	0.00	0.00	0.00	0.00	0.00	0.00	0.03	0.00	0.00	0.00	0.00
4	0.00	0.00	0.00	0.00	0.00	0.01	0.00	0.00	0.00	0.00	0.00	0.00
5	0.00	0.00	0.00	0.00	0.00	0.00	0.00	0.00	0.00	0.00	0.00	0.00
6	0.00	0.00	0.00	0.00	0.00	0.00	0.00	0.00	0.00	0.00	0.00	0.00
7	0.00	0.00	0.00	0.00	0.00	0.00	0.00	0.00	0.00	0.00	0.00	0.00
8	0.00	0.00	0.00	0.00	0.00	0.00	0.00	0.00	0.00	0.00	0.00	---
9	0.00	0.00	0.00	0.00	0.00	0.00	0.00	0.00	---	0.00	0.00	---
10	0.00	0.00	0.00	0.00	0.00	0.00	0.00	0.00	0.00	0.00	0.00	---
11	0.00	0.00	0.00	0.00	0.29	0.00	0.00	0.00	0.00	0.00	0.00	---
12	0.00	0.00	0.00	0.00	247	0.00	0.00	0.00	0.00	0.00	0.00	---
13	0.00	0.00	0.00	0.00	0.00	0.00	0.04	0.00	0.00	---	0.00	---
14	0.00	0.00	0.00	0.00	0.00	0.00	4.1	0.00	0.00	0.00	0.00	---
15	0.00	0.00	0.00	0.00	0.00	0.10	0.81	0.00	0.00	0.00	0.00	---
16	0.00	0.00	0.00	0.00	0.00	0.07	0.00	0.00	0.00	0.00	0.00	---
17	0.00	0.00	0.00	0.00	0.00	0.00	0.00	0.00	---	0.00	0.00	---
18	0.00	0.00	0.00	0.00	0.00	0.00	0.00	0.00	0.00	0.00	0.00	---
19	0.00	0.00	0.00	0.00	0.00	0.00	0.00	0.00	0.00	0.00	0.00	---
20	0.00	0.00	0.01	0.00	0.00	0.00	0.00	0.00	0.00	0.00	0.00	---
21	0.00	0.00	0.00	0.00	0.00	0.00	0.00	0.00	0.00	0.00	0.00	---
22	0.00	0.00	0.00	0.00	0.00	0.00	0.00	0.00	0.00	0.00	0.00	---
23	0.00	0.00	0.00	0.00	0.00	0.00	0.00	0.00	0.00	0.00	0.00	---
24	0.00	0.00	0.00	0.00	0.00	0.00	0.00	0.00	0.00	0.00	0.00	---
25	0.00	0.00	0.00	0.00	0.00	0.00	0.00	0.00	0.00	0.00	0.00	---
26	0.00	0.00	0.00	0.00	0.00	0.00	0.00	0.00	0.00	0.00	0.00	---
27	0.00	0.00	0.00	0.00	0.00	0.00	0.00	0.00	0.00	0.00	0.00	---
28	0.00	0.00	0.02	0.00	0.00	0.00	0.00	0.00	0.00	0.00	0.00	---
29	0.00	0.00	0.02	0.00	---	0.00	0.00	0.00	0.00	0.00	0.00	---
30	0.00	0.00	0.01	0.00	---	0.00	0.00	0.00	0.00	0.00	0.00	---
31	0.00	---	0.00	0.00	---	0.00	---	0.00	---	0.00	0.00	---
TOTAL	0.00	0.00	0.06	0.00	247.29	0.18	4.95	0.03	---	---	0.00	---
MEAN	0.000	0.000	0.002	0.000	8.83	0.006	0.17	0.001	---	---	0.000	---
MAX	0.00	0.00	0.02	0.00	247	0.10	4.1	0.03	---	---	0.00	---
MIN	0.00	0.00	0.00	0.00	0.00	0.00	0.00	0.00	---	---	0.00	---
AC-FT	0.00	0.00	0.1	0.00	490	0.4	9.8	0.06	---	---	0.00	---

RUNOFF - DAILY DISCHARGE

Los Angeles County Dept of Public Works

USDAY V30 Output 04/30/2003

Summary Report

Station: F181 Montebello Storm Drain Above Rio Hondo
 USGS #:
 Beginning Date: 10/01/2001
 Ending Date: 09/30/2002

Daily Mean Discharge in Cubic feet/second Water Year Oct 2001 to Sep 2002

Day	OCT	NOV	DEC	JAN	FEB	MAR	APR	MAY	JUN	JUL	AUG	SEP
1	.06	.07	.37	1.7	.09	.07	.02	.02	.04	.03	.03	.02
2	.06	.07	.16	.94	.07	.07	.02	.02	.04	.03	.03	.02
3	.06	.07	5.9	3.2	.07	.06	.02	.02	.04	.03	.03	.02
4	.06	.07	1.5	2.2	.07	.06	.02	.02	.03	.03	.03	.02
5	.06	.07	.62	.59	.07	.06	.02	.02	.04	.03	.02	.02
6	.06	.07	.36	.21	.07	.06	.02	.02	.04	.03	.02	.02
7	.06	.07	.26	.15	.07	1.4	.02	.02	.04	.03	.03	.02
8	.06	.07	.20	.15	.07	.05	.02	.02	.03	.03	.03	.02
9	.06	.07	1.1	.10	.07	.04	.02	.02	.03	.03	.03	.02
10	.05	.07	2.0	.09	.06	.03	.02	.02	.03	.03	.03	.02
11	.05	.07	.34	.09	.06	.03	.02	.02	.03	.03	.03	.02
12	.06	6.6	.17	.08	.06	.03	.02	.02	.03	.03	.02	.02
13	.06	1.5	.15	.07	.06	.03	.02	.02	.03	.03	.02	.02
14	.06	.33	4.7	.07	.06	.03	.02	.02	.03	.03	.02	.02
15	.06	.17	2.0	.07	.06	.03	.02	.02	.03	.03	.02	.02
16	.06	.10	.64	.07	.06	.03	.02	.03	.03	.03	.02	.02
17	.06	.09	.26	.07	5.8	3.4	.02	.02	.03	.03	.02	.02
18	.06	.09	.19	.07	1.2	.91	.01	.02	.03	.03	.02	.02
19	.06	.08	.16	.07	.36	.06	.01	.02	.03	.03	.02	.01
20	.06	.07	4.5	.06	.16	.04	.01	1.3	.03	.03	.02	.01
21	.06	.07	9.1	.06	.10	.03	.01	.21	.03	.03	.02	.01
22	.06	.07	2.3	.06	.09	.03	.01	.05	.03	.03	.02	.01
23	.06	.07	1.2	.06	.09	.03	.01	.05	.03	.03	.02	.01
24	.06	.30	.61	.06	.08	.03	.87	.04	.03	.03	.02	.01
25	.06	1.2	.34	.06	.07	.03	.43	.04	.03	.03	.02	.01
26	.06	.21	.21	.06	.07	.03	.04	.04	.03	.03	.02	.01
27	.06	.10	.18	.14	.07	.03	.03	.04	.03	.03	.02	.01
28	.06	.07	.15	3.8	.07	.03	.03	.04	.03	.03	.02	.01
29	.06	3.5	4.0	1.2	-----	.03	.02	.04	.03	.03	.02	.01
30	.06	1.4	3.2	.26	-----	.03	.02	.04	.03	.03	.02	.01
31	.06	-----	2.8	.11	-----	.02	-----	.04	-----	.03	.02	-----
Total	1.84	46.49	49.67	29.78	9.23	6.81	1.84	2.32	0.96	0.93	0.71	0.48
Mean	.059	1.55	1.60	.96	.33	.22	.061	.075	.032	.030	.023	.016
Max	.06	.30	9.1	14	5.8	3.4	.87	1.3	.04	.03	.03	.02
Min	.05	.07	.15	.06	.06	.02	.01	.02	.03	.03	.02	.01
Acre-Ft	3.1	91	99	58	17	13	3.6	4.4	1.9	1.8	1.4	.9
Wtr Year 2002	Total	151.06	Mean	.41	Max	30	Min	.01	Acre-Ft	295		
Cal Year 2001	Total	572.32	Mean	1.57	Max	66	Min	.02	Acre-Ft	1130		

RUNOFF - DAILY DISCHARGE

Los Angeles County Dept of Public Works

USDAY V30 Output 04/30/2003

Summary Report

Station: F118 Pacoima Creek Flume Below Pacoima Dam
 USGS #:
 Beginning Date: 10/01/2001
 Ending Date: 09/30/2002

Daily Mean Discharge in Cubic feet/second Water Year Oct 2001 to Sep 2002

Day	OCT	NOV	DEC	JAN	FEB	MAR	APR	MAY	JUN	JUL	AUG	SEP
1	0	0	0	0	0	0	0	0	0	0	0	0
2	0	0	0	0	0	0	0	0	0	0	0	0
3	0	0	0	0	0	0	0	0	0	0	0	0
4	0	0	0	0	0	0	0	0	0	0	0	0
5	0	0	0	0	0	0	0	0	0	0	0	0
6	0	0	0	0	0	0	0	0	0	0	0	0
7	0	0	0	0	0	0	0	0	0	0	0	0
8	0	0	0	0	0	0	0	1.8	0	0	0	0
9	0	0	0	0	0	0	0	0	0	0	0	0
10	0	0	0	0	0	0	0	0	0	0	0	0
11	0	0	0	0	0	0	0	0	0	0	0	0
12	0	0	0	0	0	0	0	0	0	0	0	0
13	0	0	0	0	0	0	0	0	0	0	0	0
14	0	0	0	0	0	0	0	0	0	0	0	0
15	0	0	0	0	0	0	0	0	0	0	0	0
16	0	0	0	0	0	0	0	0	0	0	0	0
17	0	0	0	0	0	0	0	0	0	0	0	0
18	0	0	0	0	0	0	0	0	0	0	0	0
19	0	0	0	0	0	0	0	0	0	0	0	0
20	0	0	0	0	0	0	0	0	0	0	0	0
21	0	0	0	0	0	0	0	0	0	0	0	0
22	0	0	0	0	0	0	0	0	0	0	0	0
23	44	0	0	0	0	0	0	0	0	0	0	0
24	63	0	0	0	0	0	0	0	0	0	0	0
25	62	0	0	0	0	0	0	0	0	0	0	0
26	35	.01	0	0	0	0	0	0	0	0	0	0
27	0	0	0	0	0	0	0	0	0	0	0	0
28	0	0	0	0	0	0	0	0	0	0	0	0
29	0	0	0	0	-----	0	0	0	0	0	0	0
30	0	0	0	0	-----	0	0	0	0	0	0	0
31	0	-----	0	0	-----	0	-----	0	-----	0	-----	0
Total	204	0.01	0	0	0	0	0	1.8	0	0	0	0
Mean	6.58	0	0	0	0	0	0	.058	0	0	0	0
Max	63	.01	0	0	0	0	0	1.8	0	0	0	0
Min	0	0	0	0	0	0	0	0	0	0	0	0
Acre-Ft	404	.02	0	0	0	0	0	3.6	0	0	0	0
Wtr Year 2002	Total	205.81	Mean	.56	Max	63	Min	0	Acre-Ft	408		
Cal Year 2001	Total	1436.76	Mean	3.94	Max	63	Min	0	Acre-Ft	2850		

RUNOFF - DAILY DISCHARGE

Los Angeles County Dept of Public Works

USDAY V30 Output 04/30/2003

Summary Report

Station: F305 Pacoima Diversion At Branford Street
 USGS #:
 Beginning Date: 10/01/2001
 Ending Date: 09/30/2002

Daily Mean Discharge in Cubic feet/second Water Year Oct 2001 to Sep 2002

Day	OCT	NOV	DEC	JAN	FEB	MAR	APR	MAY	JUN	JUL	AUG	SEP
1	1.6	1.3	1.3	1.1	.98	1.5	1.8	2.2	1.7	2.1	2.0	1.7
2	1.6	1.3	2.7	9.7	1.0	1.6	1.7	2.0	1.7	1.9	2.2	1.5
3	1.6	1.5	.21	2.3	1.1	1.6	1.8	1.9	1.7	2.0	2.4	2.0
4	1.9	1.6	1.1	1.0	1.1	1.6	1.8	2.1	1.7	1.9	2.2	1.8
5	1.9	1.4	1.0	1.0	1.2	1.6	2.0	2.0	1.8	1.9	1.9	2.1
6	1.8	1.4	1.0	1.0	1.5	7.1	3.9	2.1	1.9	2.0	1.8	1.9
7	1.7	1.4	1.0	2.1	1.4	.25	1.9	2.2	1.9	1.9	1.7	1.9
8	1.7	1.5	.96	1.1	1.2	1.5	1.9	2.1	1.9	2.2	1.9	1.7
9	1.9	1.3	1.4	1.2	1.0	1.5	1.9	2.0	2.2	2.0	1.7	1.6
10	1.8	1.8	1.2	1.2	1.7	1.5	1.9	2.0	1.8	2.0	1.9	1.8
11	1.7	.12	1.0	1.0	2.1	1.6	2.3	2.1	1.7	2.1	1.8	1.7
12	1.4	.99	1.0	1.1	2.3	1.5	2.0	1.9	1.6	2.1	2.0	1.8
13	1.5	2.6	1.2	1.2	2.3	1.1	1.9	2.0	1.6	2.0	2.2	1.8
14	1.5	1.1	8.7	1.4	2.5	1.0	1.9	2.1	1.6	1.9	1.9	1.8
15	1.4	1.2	1.1	1.3	2.3	1.2	3.4	2.1	1.6	2.3	2.1	1.8
16	1.4	1.4	1.1	.42	1.8	1.4	2.0	2.8	1.5	2.0	2.2	2.1
17	1.4	1.3	1.0	1.1	.17	.13	3.0	2.0	1.6	2.1	2.1	1.9
18	1.4	1.2	1.2	.99	1.6	4.4	2.5	2.2	1.6	1.8	2.2	2.0
19	1.6	1.2	1.3	1.0	1.5	1.4	2.2	2.7	1.8	1.8	2.1	2.0
20	1.8	1.2	.31	1.0	1.5	1.5	1.8	7.7	1.8	1.8	1.9	2.1
21	1.8	1.3	4.4	1.1	1.5	1.4	1.8	2.3	2.2	2.0	1.9	2.3
22	1.7	1.4	1.5	1.0	1.4	1.4	1.9	1.8	1.8	2.0	1.8	1.9
23	2.3	1.2	1.1	.96	1.6	9.3	1.8	1.7	1.7	2.0	1.8	1.8
24	1.9	167	.99	1.1	1.6	1.7	1.7	1.8	1.9	1.9	1.7	2.0
25	1.7	1.7	.98	1.3	1.9	1.7	1.6	1.8	1.9	2.0	1.6	1.7
26	1.3	1.2	1.0	1.3	1.6	1.6	1.4	1.8	1.9	2.0	1.7	1.9
27	1.8	1.0	1.2	.50	1.8	1.7	1.4	1.7	2.0	2.1	1.6	1.9
28	1.5	.99	1.1	1.9	1.7	2.3	1.7	1.7	1.9	1.8	1.8	2.2
29	1.4	.11	.14	1.2	-----	1.7	2.0	1.7	1.9	1.8	1.8	.19
30	.11	1.5	1.3	1.1	-----	1.8	2.1	1.7	2.0	2.0	1.8	3.2
31	1.7	-----	1.7	.93	-----	1.7	-----	1.5	-----	2.0	1.8	-----
Total	60.7	324.99	110.53	135.68	60.18	98.9	61.0	67.7	53.9	61.4	59.5	74.9
Mean	1.96	10.8	3.57	4.38	2.15	3.19	2.03	2.18	1.80	1.98	1.92	2.50
Max	.11	167	.31	.50	.17	.25	3.9	7.7	2.2	2.3	2.4	.19
Min	1.3	.99	.96	.93	.98	1.0	1.4	1.5	1.5	1.8	1.6	1.5
Acre-Ft	119	644	218	269	119	195	121	134	107	122	118	149
Wtr Year 2002	Total	1169.38	Mean	3.20	Max	167	Min	.93	Acre-Ft	2310		
Cal Year 2001	Total	2591.02	Mean	7.10	Max	305	Min	.96	Acre-Ft	5130		

RUNOFF - DAILY DISCHARGE

U. S. DEPARTMENT OF THE INTERIOR - U. S. GEOLOGICAL SURVEY - WATER RESOURCES

STATION NUMBER 10263665 PALLETT C A BIG ROCK C NR VALYERMO CA STREAM SOURCE AGENCY USGS STATE 06 COUNTY 037
 LATITUDE 342738 LONGITUDE 1175150 NAD27 DRAINAGE AREA 15.1* CONTRIBUTING DRAINAGE AREA DATUM 3550 NGVD29
 Date Processed: 2003-09-17 13:57 By jmcombs

WORKING
 DD #1

Discharge, cubic feet per second, WATER YEAR OCTOBER 2002 TO SEPTEMBER 2003
 DAILY MEAN VALUES

DAY	OCT	NOV	DEC	JAN	FEB	MAR	APR	MAY	JUN	JUL	AUG	SEP
1	0.00	0.00	0.00	0.00	0.00	0.14	0.24	0.23	0.20	0.16	0.12	0.23
2	0.00	0.00	0.00	0.00	0.00	0.14	0.24	0.23	0.19	0.15	0.12	0.23
3	0.00	0.00	0.00	0.00	0.00	0.16	0.23	0.24	0.19	0.14	0.12	0.23
4	0.00	0.00	0.00	0.00	0.00	0.16	0.22	0.24	0.19	0.14	0.10	0.23
5	0.00	0.00	0.00	0.00	0.00	0.16	0.22	0.24	0.19	0.14	0.11	0.23
6	0.00	0.00	0.00	0.00	0.00	0.16	0.22	0.23	0.19	0.16	0.12	0.23
7	0.00	0.00	0.00	0.00	0.00	0.16	0.24	0.24	0.19	0.14	0.13	0.20
8	0.00	0.00	0.00	0.00	0.00	0.16	0.24	0.24	0.18	0.14	0.12	0.21
9	0.00	0.00	0.00	0.00	0.00	0.16	0.24	0.24	0.18	0.14	0.12	0.22
10	0.00	0.00	0.00	0.00	0.00	0.16	0.24	0.23	0.18	0.14	0.12	0.22
11	0.00	0.00	0.00	0.00	0.00	0.16	0.24	0.23	0.18	0.14	0.12	0.22
12	0.00	0.00	0.00	0.00	18	0.16	0.24	0.21	0.17	0.15	0.12	0.22
13	0.00	0.00	0.00	0.00	3.3	0.16	0.24	0.21	0.17	0.14	0.13	0.22
14	0.00	0.00	0.00	0.00	0.00	0.16	0.25	0.22	0.16	0.12	0.12	0.22
15	0.00	0.00	0.00	0.00	0.00	0.18	0.24	0.21	0.15	0.12	0.13	0.22
16	0.00	0.00	0.01	0.00	0.00	1.5	0.24	0.20	0.15	0.12	0.14	0.22
17	0.00	0.00	0.00	0.00	0.00	0.36	0.24	0.20	0.15	0.12	0.17	---
18	0.00	0.00	0.00	0.00	0.00	0.03	0.24	0.24	0.15	0.12	0.17	---
19	0.00	0.00	0.00	0.00	0.00	0.08	0.24	0.24	0.15	0.12	0.17	---
20	0.00	0.00	0.00	0.00	0.00	0.09	0.22	0.24	0.15	0.12	0.18	---
21	0.00	0.00	0.00	0.00	0.09	0.22	0.24	0.20	0.16	0.10	0.21	---
22	0.00	0.00	0.00	0.00	0.10	0.22	0.23	0.17	0.15	0.10	0.21	---
23	0.00	0.00	0.00	0.00	0.11	0.22	0.24	0.17	0.16	0.11	0.20	---
24	0.00	0.00	0.00	0.00	0.11	0.22	0.24	0.17	0.16	0.11	0.17	---
25	0.00	0.00	0.00	0.00	0.12	0.24	0.24	0.18	0.16	0.11	0.20	---
26	0.00	0.00	0.00	0.00	0.12	0.24	0.24	0.17	0.16	0.12	0.22	---
27	0.00	0.00	0.00	0.00	0.12	0.24	0.23	0.16	0.16	0.12	0.23	---
28	0.00	0.00	0.00	0.00	0.14	0.24	0.23	0.16	0.16	0.11	0.22	---
29	0.00	0.00	0.00	0.00	---	0.24	0.22	0.15	0.16	0.13	0.21	---
30	0.00	0.00	0.00	0.00	---	0.24	0.22	0.16	0.16	0.13	0.21	---
31	0.00	---	0.00	0.00	---	0.24	---	0.17	---	0.12	0.21	---
TOTAL	0.00	0.00	0.01	0.00	22.41	7.50	7.07	6.30	5.05	3.98	4.92	---
MEAN	0.000	0.000	0.000	0.000	0.80	0.24	0.24	0.20	0.17	0.13	0.16	---
MAX	0.00	0.00	0.01	0.00	18	1.5	0.25	0.24	0.20	0.16	0.23	---
MIN	0.00	0.00	0.00	0.00	0.00	0.14	0.22	0.15	0.15	0.10	0.10	---
AC-FT	0.00	0.00	0.02	0.00	44	15	14	12	10	7.9	9.8	---

RUNOFF - DAILY DISCHARGE

Los Angeles County Dept of Public Works

USDAY V30 Output 04/30/2003

Summary Report

Station: F192 Rio Hondo Below Lower Azusa Road
 USGS #:
 Beginning Date: 10/01/2001
 Ending Date: 09/30/2002

Daily Mean Discharge in Cubic feet/second Water Year Oct 2001 to Sep 2002

Day	OCT	NOV	DEC	JAN	FEB	MAR	APR	MAY	JUN	JUL	AUG	SEP
1	.03	0	0	8.0	0	0	0	0	.01	0	0	0
2	0	.85	0	9.5	0	0	0	0	0	.03	0	0
3	0	0	40	29	0	0	0	0	.08	0	0	.06
4	0	0	0	21	0	0	0	.10	.31	0	.07	0
5	0	1.1	0	31	0	0	0	.12	.18	0	0	0
6	0	.01	1.1	4.6	0	0	0	.05	.10	0	0	0
7	0	2.1	0	.01	0	0	0	0	.06	0	0	0
8	0	0	0	0	0	0	0	.04	.03	.03	0	0
9	0	0	0	.01	0	0	0	0	0	.11	0	.11
10	0	0	2.6	0	0	0	0	0	.04	0	0	0
11	0	2.7	0	0	0	0	0	0	0	0	0	0
12	0	.30	0	0	0	0	0	0	0	.12	.62	0
13	0	.15	.08	0	0	0	0	0	0	.02	7.5	0
14	0	2.7	48	0	0	0	.59	0	0	0	5.6	0
15	0	.02	21	0	0	0	.67	0	0	.08	0	0
16	0	0	0	4.8	0	0	0	0	0	0	.01	0
17	0	0	12	0	30	0	0	0	.03	0	0	0
18	0	0	4.5	0	0	0	0	0	.08	0	0	0
19	0	0	.36	0	0	0	0	0	.05	0	5.2	0
20	0	0	35	0	0	0	0	1.6	.02	0	.03	0
21	0	14	62	0	0	0	0	0	.13	0	.21	0
22	0	1.3	7.3	0	0	0	0	0	.10	0	0	0
23	2.5	.18	7.0	0	0	0	0	0	0	0	0	0
24	.03	104	4.6	0	0	0	.69	0	.01	0	0	0
25	0	37	2.2	0	0	0	.18	0	0	0	0	0
26	0	27	.42	0	0	0	.18	.30	0	0	0	0
27	.01	.34	.06	68	0	0	.21	.60	0	0	0	0
28	2.3	0	1.8	49	0	0	.10	.44	.06	0	0	0
29	0	23	42	5.9	-----	0	.01	.14	.11	0	0	0
30	7.9	5.2	24	.20	-----	0	.08	.11	0	0	0	0
31	5.5	-----	23	2.4	-----	0	-----	.01	-----	0	0	-----
Total	18.27	284.32	339.02	233.42	30	0	2.71	3.51	1.40	0.39	19.24	0.17
Mean	.59	9.48	10.9	7.53	1.07	0	.090	.11	.047	.013	.62	.006
Max	7.9	104	62	68	30	0	.69	1.6	.31	.12	7.5	.11
Min	0	0	0	0	0	0	0	0	0	0	0	0
Acre-Ft	37	564	673	466	60	0	5.5	7.1	2.9	.8	38	.3
Wtr Year 2002	Total	932.45	Mean	2.55	Max	104	Min	0	Acre-Ft	1850		
Cal Year 2001	Total	822.14	Mean	2.25	Max	104	Min	0	Acre-Ft	1630		

RUNOFF - DAILY DISCHARGE

Los Angeles County Dept of Public Works

USDAY V30 Output 04/30/2003

Summary Report

Station: F45 Rio Hondo Above Stewart And Gray
 USGS #:
 Beginning Date: 10/01/2001
 Ending Date: 09/30/2002

Daily Mean Discharge in Cubic feet/second Water Year Oct 2001 to Sep 2002

Day	OCT	NOV	DEC	JAN	FEB	MAR	APR	MAY	JUN	JUL	AUG	SEP
1							.01	.01	.02	.15	.11	.05
2							0	.01	.03	.21	.09	.03
3							0	.03	3.0	.19	.05	.03
4							.01	.01	.15	.14	.03	.03
5						.01	.03	.01	.10	.08	.04	.11
6						.01	0	.05	.06	.11	.02	.07
7						.01	.01	.04	.05	.08	0	.02
8						.01	0	.02	.05	.07	.02	.01
9						.01	0	.01	.05	.15	.02	.02
10						.01	0	0	.03	.25	.05	.04
11						.01	.02	0	.04	.33	.02	.03
12						5.5	.02	0	.04	.17	.02	.02
13						.01	.01	0	.04	.06	.02	.02
14						.01	.02	0	.10	.10	.01	.01
15						.01	1.4	.02	.05	.21	.02	.01
16						.01	.02	.03	.05	.25	.03	.02
17						.23	.02	.03	.03	.07	.02	.02
18						1.8	.03	.04	.05	.07	.02	.02
19						.01	.02	.04	.02	.06	.05	.03
20						.02	.02	7.9	.02	.08	.03	.05
21						.01	.01	.05	.05	.07	.02	.03
22						.01	.01	.02	.06	.26	.02	.03
23						1.6	.01	.02	.06	.17	.02	.08
24						.01	.92	.01	.09	.17	.02	.07
25						.01	.03	0	.20	.24	.03	.28
26						.01	.09	.01	.17	.31	0	.32
27						.01	.02	.02	.16	.36	.09	.59
28						.01	.01	0	.16	.49	.04	.10
29					-----	.02	0	.02	.18	.41	.05	2.3
30					-----	.01	.10	.04	.13	.56	.08	1.4
31		-----			-----	.02	-----	.02	-----	.37	.05	-----
Total						32.16	2.84	8.46	5.24	6.24	1.09	5.84
Mean						1.19	.095	.27	.17	.20	.035	.19
Max						23	1.4	7.9	3.0	.56	.11	2.3
Min						.01	0	0	.02	.06	0	.01
Acre-Ft						63	5.7	17	10	12	2.2	12
Wtr Year 2002	Total	61.87	Mean	.29	Max	23	Min	0	Acre-Ft	122		
Cal Year 2001	Total		Mean		Max		Min		Acre-Ft			

RUNOFF - DAILY DISCHARGE

Los Angeles County Dept of Public Works

USDAY V30 Output 04/30/2003

Summary Report

Station: F313 Rio Hondo Bypass Channel Above Whittier Narrows
 USGS #:
 Beginning Date: 10/01/2001
 Ending Date: 09/30/2002

Daily Mean Discharge in Cubic feet/second Water Year Oct 2001 to Sep 2002

Day	OCT	NOV	DEC	JAN	FEB	MAR	APR	MAY	JUN	JUL	AUG	SEP
1	0	128	123	.68	30	75	73	73	68	93	25	0
2	0	129	122	46	39	75	74	79	62	90	25	0
3	0	130	135	161	41	50	75	82	67	91	25	0
4	0	129	141	164	29	44	67	74	65	87	25	0
5	0	131	141	163	22	73	66	76	64	88	25	0
6	0	132	141	163	29	75	76	77	66	92	25	0
7	0	115	140	163	26	78	76	73	72	91	23	0
8	0	114	140	163	25	81	74	74	68	92	25	0
9	0	156	140	157	26	75	25	75	66	91	25	0
10	0	155	148	133	27	74	51	76	57	92	25	0
11	0	149	151	128	31	74	55	73	66	90	25	0
12	0	21	151	125	28	74	70	73	60	86	58	0
13	0	44	151	126	24	77	74	79	63	90	74	0
14	0	135	129	41	29	70	74	72	67	82	79	0
15	0	151	68	1.2	27	73	80	71	68	86	87	0
16	0	155	44	.90	33	71	41	68	68	81	89	0
17	74	158	70	.77	14	73	67	71	72	93	89	0
18	124	159	155	.61	1.3	31	72	74	52	90	87	0
19	126	158	169	.50	.95	1.7	78	72	77	89	87	0
20	126	160	174	.40	51	51	74	80	93	93	90	0
21	123	160	96	.33	75	67	78	74	95	86	82	0
22	126	159	142	.23	71	69	69	74	91	90	58	0
23	126	158	141	.19	70	83	54	67	95	76	8.6	0
24	129	115	133	.10	67	70	76	73	97	84	0	0
25	127	4.6	130	.08	67	72	69	70	95	83	0	0
26	128	2.5	133	0	64	73	84	68	93	85	0	0
27	128	63	140	.06	69	75	79	65	92	91	0	0
28	127	112	149	80	73	70	79	70	92	88	0	0
29	129	79	120	84	-----	78	66	70	90	49	0	0
30	129	120	51	45	-----	75	76	70	91	25	0	0
31	129	-----	19	32	-----	77	-----	65	-----	25	0	-----
Total	1851	3582.1	3887	1980.05	1089.25	2104.7	2072	2258	2272	2569	1161.6	0
Mean	59.7	119	125	63.9	38.9	67.9	69.1	72.8	75.7	82.9	37.5	0
Max	129	160	174	164	75	83	84	82	97	93	90	0
Min	0	2.5	19	0	.95	1.7	25	65	52	25	0	0
Acre-Ft	3670	7100	7710	3930	2160	4170	4120	4490	4510	5100	2300	0
Wtr Year 2002	Total	24826.70	Mean	68.0	Max	174	Min	0	Acre-Ft	49250		
Cal Year 2001	Total	12662.71	Mean	34.7	Max	174	Min	0	Acre-Ft	25110		

RUNOFF - DAILY DISCHARGE

Los Angeles County Dept of Public Works

USDAY V30 Output 04/30/2003

Summary Report

Station: F338 Rubio Diversion Channel Below Gooseberry Canyon Inlet
 USGS #:
 Beginning Date: 10/01/2001
 Ending Date: 09/30/2002

Daily Mean Discharge in Cubic feet/second Water Year Oct 2001 to Sep 2002

Day	OCT	NOV	DEC	JAN	FEB	MAR	APR	MAY	JUN	JUL	AUG	SEP
1	.23	.20	.20	.20	1.2	.40	.80	.55	.20	.03F	0	0
2	.38	.20	.20	.34	1.2	.40	.63	.52	.20	0	0	0
3	.23	.20	.66	.51	1.2	.30	.62	.58	.21F	0	0	.03
4	.20	.20	.23	.42	1.3	.24	.53	.51	.26	0	0	0
5	.32	.20	.20	.64	.97	.23	.40	.45	.20	0	0	0
6	.26	.21	.20	.60	1.2	.67	.42	.60	.14	.01	0	0
7	.21	.20	.20	.54	1.5	1.1	.40	.60	.12	0	0	0
8	.20	.20	.20	.40	.70	.26	.40	.60	.15	0	0	0
9	.28	.20	.30	.40	.60	.20	.40	.60	.40	.02	0	0F
10	.76	.20	.25	.40	.60	.20	.40	.60	.14	0	0	0
11	.94	.25	.20	.40	.60	.34	.40	.60	.19	0	0	0
12	.61	1.0	.20	.40	.60	.40	.40	.60	.13	.01	0	0
13	.20	.20	.20	.56	.60	.58	.40	.60	.11	0	0	0
14	.20	.20	1.0	.56	.58	.77	.40	.60	.04	0	0	0
15	.20	.20	.40	.84	.56	.80	.56	.60	.06	0	0	0
16	.20	.20	.40	.96	.59	.80	.40	.61	0	0	0	0
17	.20	.20	.40	.42	1.5	2.4	.40	.60	0	0	0	0
18	.20	.20	.40	.41	.60	.62	.40	.60	0	0	0	0
19	.20	.20	.40	.41	.60	.47	.40	.63	0	0	0	0
20	.20	.20	1.5	.43	.60	.41	.40	2.3	0	0	0	0
21	.25	.20	.71	.40	.60	.40	.40	.75	.66	0	0	0
22	.36	.20	.20	.40	.60	.42	.40	.60	.20	0	0	0
23	.20	.20	.20	.48	.60	.69	.41	.60	.20	.23	0	0
24	.20	2.6	.20	.56	.60	.83	.62	.60	.20	.19	0	0
25	.20	.27	.20	.73	.52	.80	.40	.60	.17	0	0	0
26	.20	.20	.20	.71	.55	.69	.40	.61	.02	0	.01	0
27	.20	.21	.20	3.2	.60	.75	.40	.60	.07	0	0	0
28	.20	.40	.20	.87	.60	.92	.40	.60	.10	0	0	.11
29	.23	.44	.83	.60	-----	1.1	.41	.60	.06	0	0	.21
30	.66	.23	.34	1.0	-----	.76	.41	.60	.03	0	0	0
31	.32	-----	.23	1.0	-----	.43	-----	.60	-----	0	0	-----
Total	9.24	9.81	11.25	19.79	21.97	19.38	13.41	20.11	4.26	0.49	0.01	0.35
Mean	.30	.33	.36	.64	.78	.63	.45	.65	.14	.016	0	.012
Max	.94	2.6	1.5	3.2	1.5	2.4	.80	2.3	.66	.23	.01	.21
Min	.20	.20	.20	.20	.52	.20	.40	.45	0	0	0	0
Acre-Ft	19	20	23	40	44	38	27	40	8.4	1.0	.03	.7
Wtr Year 2002	Total	130.07	Mean	.36	Max	3.2	Min	0	Acre-Ft	259		
Cal Year 2001	Total	384.23	Mean	1.05	Max	37	Min	0	Acre-Ft	763		

RUNOFF - DAILY DISCHARGE

Los Angeles County Dept of Public Works

USDAY V30 Output 04/30/2003

Summary Report

Station: F82 Rubio Wash @ Glendon Way
 USGS #:
 Beginning Date: 10/01/2001
 Ending Date: 09/30/2002

Daily Mean Discharge in Cubic feet/second Water Year Oct 2001 to Sep 2002

Day	OCT	NOV	DEC	JAN	FEB	MAR	APR	MAY	JUN	JUL	AUG	SEP
1	1.0	1.2	.58	1.1	2.9	7.4	.69	.50	1.0	.75	1.0	.74
2	1.0	1.0	.60	1.1	.50	3.5	.52	1.4	.75	.76	1.0	.78
3	1.1	1.0	5.5	1.7	.59	3.2	.68	.54	.78	.69	.90	.84
4	1.1	1.0	.71	.78	.65	8.5	.78	.50	.87	.63	.82	.78
5	1.2	1.0	.55	.55	2.4	6.2	.61	.53	.92	.70	.72	.95
6	1.1	1.0	.73	.64	4.4	6.9	.62	.62	.94	.71	.77	.96
7	1.0	1.0	.51	.78	2.4	14	.60	.85	.94	.75	.64	.93
8	1.3	1.0	.47	.72	.82	8.1	.66	.81	.90	.58	.60	.68
9	1.5	.80	.54	3.0	.65	7.9	.80	.66	.95	.75	.68	.70
10	2.0	.65	.85	4.5	.62	6.7	.73	.82	1.0	.75	.76	.81
11	1.7	.84	.49	2.4	.77	7.3	.81	.58	1.0	.78	.64	1.0
12	1.6	.47	.59	.46	.78	6.9	.80	.52	1.0	.75	.71	1.0
13	.93	.93	.57	.69	3.4	6.1	.53	.59	.95	.80	.75	1.0
14	.96	.76	9.1	1.7	4.6	4.6	2.6	.94	.97	.94	.93	1.0
15	1.4	.50	.71	.61	4.6	4.1	2.4	.98	.76	.96	.81	.92
16	1.1	.49	.56	11	4.6	3.9	.67	1.0	.60	.87	.83	.87
17	1.1	.52	.85	11	24	16	.69	.95	.75	.89	.92	.90
18	1.1	.52	.68	4.5	8.5	2.7	.61	.85	.94	.99	1.1	.87
19	.93	.67	.70	10	7.6	1.5	.59	.89	.98	.99	.91	.85
20	1.0	.58	43	10	4.7	1.1	.41	8.4	1.0	.93	1.0	1.0
21	.98	.64	17	16	5.2	2.2	.58	.71	1.3	.93	.91	1.0
22	.99	.83	.79	8.9	4.9	3.8	1.5	.70	.98	.95	.93	.96
23	1.0	.68	.74	5.0	5.3	4.5	.67	.81	.92	1.0	.78	.90
24	1.1	186	1.2	3.0	5.4	5.7	2.3	.78	.88	.99	.71	.99
25	1.0	1.0	.60	.55	5.0	7.1	1.1	.65	.97	.92	.72	.97
26	.99	.90	.61	.48	4.4	8.2	.59	.65	1.0	.92	.75	.95
27	1.0	.54	1.4	113	5.4	8.0	.55	.66	.90	.87	.95	.92
28	.98	.38	1.9	7.8	5.7	6.2	.51	.84	.94	.83	.91	1.3
29	1.1	3.3	5.9	4.3	-----	3.3	.50	.81	.91	.97	.93	.11
30	1.9	.50	.81	4.1	-----	2.0	.50	.85	.81	1.0	.94	.99
31	1.1	-----	.72	4.1	-----	1.2	-----	.85	-----	1.0	.78	-----
Total	36.26	257.23	99.96	234.46	120.78	178.8	25.60	31.24	27.61	26.35	25.80	37.56
Mean	1.17	8.57	3.22	7.56	4.31	5.77	.85	1.01	.92	.85	.83	1.25
Max	2.0	186	43	113	24	16	2.6	8.4	1.3	1.0	1.1	.11
Min	.93	.38	.47	.46	.50	1.1	.41	.50	.60	.58	.60	.68
Acre-Ft	72	510	197	467	240	354	51	63	55	52	51	75
Wtr Year 2002	Total	1101.65	Mean	3.02	Max	186	Min	.38	Acre-Ft	2190		
Cal Year 2001	Total	2285.19	Mean	6.26	Max	249	Min	.38	Acre-Ft	4530		

RUNOFF - DAILY DISCHARGE

Los Angeles County Dept of Public Works

USDAY V30 Output 04/30/2003

Summary Report

Station: F303 San Dimas Creek Below San Dimas Dam
 USGS #:
 Beginning Date: 10/01/2001
 Ending Date: 09/30/2002

Daily Mean Discharge in Cubic feet/second Water Year Oct 2001 to Sep 2002

Day	OCT	NOV	DEC	JAN	FEB	MAR	APR	MAY	JUN	JUL	AUG	SEP
1	.08	.40	.40	.40	.40	.39	.24	.28	.84	.24	.20	.16
2	.08	.40	.40	.28	.39	.38	.21	.28	.94	.24	.20	.16
3	.08	.40	.40	.16	.38	.36	.20	.28	2.4	.24	.20	.16
4	.08	.40	.40	.16	.38	.36	.17	.30	.87	.24	.20	.16
5	.08	.40	.40	.13	.37	.36	.16	.32	.84	.24	.19	.16
6	.08	.40	.40	.08	.37	.38	.13	.32	.76	.24	.19	.16
7	.08	.40	.40	.08	.38	.40	.12	.32	.63	.24	.19	.16
8	.08	.40	.40	.08	.40	.39	.09	.32	.45	.24	.19	.16
9	.08	.40	.52	.08	.38	.38	.20	.32	.38	.24	.19	.16
10	.08	.40	.68	.08	.37	.38	.25	.32	.23	.24	.19	.16
11	.08	.40	.68	.08	.37	.38	.28	.32	.19	.24	.19	.16
12	.08	.44	.60	.08	.36	.37	.28	.31	.13	.24	.19	.16
13	.08	.41	.40	.08	.36	.38	.27	.31	.13	.24	.18	.16
14	.06	.40	.40	.08	.39	.36	.30	.32	.13	.24	.18	.16
15	.02	.40	.40	.11	.39	.36	.32	6.5	.11	.24	.18	.16
16	0	.40	.40	.27	.40	.36	.32	.40	8.4	.24	.18	.16
17	0	.40	.40	.40	.40	.39	.34	.40	5.8	.24	.18	.16
18	0	.42	.40	.40	.40	.42	.32	.40	.34	.24	.18	.16
19	0	.65	.40	.40	.40	.40	.35	.40	.31	.24	.18	.16
20	0	.68	.44	.40	.40	.40	.36	1.0	.30	.24	.17	.16
21	.03	.80	.44	.40	.38	.40	.36	1.8	.30	.24	.17	.16
22	.04	.91	.40	.40	.36	.39	.40	2.0	.29	.24	.17	.16
23	.04	.96	.40	.40	.36	.40	.31	2.3	.26	.24	.17	.15
24	.04	.89	.40	.40	.39	.37	.28	2.2	.25	.24	.17	.16
25	.04	.42	.40	.40	.38	.36	.28	.68	.24	.24	.17	.16
26	.04	.40	.40	.40	.36	.32	.28	.68	.24	.24	.17	.16
27	.04	.40	.40	.56	.36	.32	.28	.68	.24	.24	.17	.16
28	.04	.40	.40	.44	.40	.31	.28	1.5	.24	.24	.16	.16
29	.04	.40	.40	.40	-----	.28	.28	2.3	.24	.24	.16	.16
30	.04	.40	.40	.40	-----	.28	.28	2.2	.24	.24	.16	.16
31	.04	-----	.40	.40	-----	.24	-----	2.1	-----	.22	.16	-----
Total	1.55	14.58	13.36	8.43	10.68	11.27	7.94	31.86	117.80	7.42	5.58	4.79
Mean	.050	.49	.43	.27	.38	.36	.26	1.03	3.93	.24	.18	.16
Max	.08	.96	.68	.56	.40	.42	.40	6.5	.23	.24	.20	.16
Min	0	.40	.40	.08	.36	.24	.09	.28	.24	.22	.16	.15
Acre-Ft	3.6	.29	.27	.17	.21	.23	.16	.63	.232	.15	.11	.9.0
Wtr Year 2002	Total	235.26	Mean	.64	Max	23	Min	0	Acre-Ft	467		
Cal Year 2001	Total	798.17	Mean	2.19	Max	41	Min	0	Acre-Ft	1580		

RUNOFF - DAILY DISCHARGE

Los Angeles County Dept of Public Works

USDAY V30 Output 04/30/2003

Summary Report

Station: F218 San Dimas Wash Below Puddingstone Diversion Dam
 USGS #:
 Beginning Date: 10/01/2001
 Ending Date: 09/30/2002

Daily Mean Discharge in Cubic feet/second Water Year Oct 2001 to Sep 2002

Day	OCT	NOV	DEC	JAN	FEB	MAR	APR	MAY	JUN	JUL	AUG	SEP
1	0	0	0	0	0	0	0	0	0	0	0	0
2	0	0	0	0	0	0	0	0	0	0	0	0
3	0	0	0	0	0	0	0	0	0	0	0	0
4	0	0	0	0	0	0	0	0	0	0	0	0
5	0	0	0	0	0	0	0	0	0	0	0	0
6	0	0	0	0	0	0	0	0	0	0	0	0
7	0	0	0	0	0	0	0	0	0	0	0	0
8	0	0	0	0	0	0	0	0	0	0	0	0
9	0	0	0	0	0	0	0	0	0	0	0	0
10	0	0	0	0	0	0	0	0	0	0	0	0
11	0	0	0	0	0	0	0	0	7.7	0	0	0
12	0	0	0	0	0	0	0	0	7.8	0	0	0
13	0	0	0	0	0	0	0	0	7.3	0	0	0
14	0	0	0	0	0	0	0	0	7.7	0	0	0
15	0	0	0	0	0	0	0	0	2.2	0	0	0
16	0	0	0	0	0	0	0	0	0	0	0	0
17	0	0	0	0	0	0	0	.10	0	0	0	0
18	0	0	0	0	0	.02	0	0	0	0	0	0
19	0	0	0	0	0	0	0	0	0	0	0	0
20	0	0	0	0	0	0	0	0	0	0	0	0
21	0	0	.26	0	0	0	0	0	0	0	0	0
22	0	0	0	0	0	0	0	0	0	0	0	0
23	0	0	0	0	0	0	0	0	0	0	0	0
24	0	.54	0	0	0	0	0	0	0	0	0	0
25	0	0	0	0	0	0	0	0	0	0	0	0
26	0	0	0	0	0	0	0	0	0	0	0	0
27	0	0	0	0	0	0	0	0	0	0	0	0
28	0	0	0	.14	0	0	0	0	0	0	0	0
29	0	0	0	.03	-----	0	0	0	0	0	0	0
30	0	0	0	0	-----	0	0	0	0	0	0	0
31	0	-----	0	0	-----	0	-----	0	-----	0	0	-----
Total	0	0.54	0.26	0.17	0	0.02	0	0.10	32.7	0	0	0
Mean	0	.018	.008	.006	0	.001	0	.003	1.09	0	0	0
Max	0	.54	.26	.14	0	.02	0	.10	7.8	0	0	0
Min	0	0	0	0	0	0	0	0	0	0	0	0
Acre-Ft	0	1.1	.5	.4	0	.04	0	.2	65	0	0	0
Wtr Year 2002	Total	33.79	Mean	.093	Max	7.8	Min	0	Acre-Ft	68		
Cal Year 2001	Total	413.86	Mean	1.13	Max	27	Min	0	Acre-Ft	820		

RUNOFF - DAILY DISCHARGE

Los Angeles County Dept of Public Works

USDAY V30 Output 07/30/2003

Summary Report

Station: E281 Santa Fe Dam Outflow
 USGS #:
 Beginning Date: 10/01/2001
 Ending Date: 09/30/2002

Daily Mean Discharge in Cubic feet/second Water Year Oct 2001 to Sep 2002

Day	OCT	NOV	DEC	JAN	FEB	MAR	APR	MAY	JUN	JUL	AUG	SEP
1	0	0	0	0	0	20	0	0	0	0F	0	0
2	0	0	0	0	0	0	0	0	0	0	0	0
3	0	0	0	0	0	0	0	0	0F	0	0	0F
4	0	0	0	0	0	0	0	0	0	0	0	0
5	0	0	0	0	0	0	0	0	0	0	0	0
6	0	0	0	0	0	0	0	0	0	0	0	0
7	0	0	0	0	0	0	0	0	0	0	0	0
8	0	0	0	0	0	0	0	0	0	0	0	0
9	0	0	0	0	0	0	0	0	0	0	0	0
10	0	0	0	0	0	0	0	0	0	0	0	0
11	0	0	0	0	0	0	0	0	0	0	0	0
12	0	0	0	0	0	0	0	0	0	0	0	0
13	0	.60	0	0	0	0	0	0	0	0	0F	0
14	0	0	0	.11	0	0	0	0	0	0	0	0
15	0	0	0	0	0	0	0	0	0	0	0	0
16	0	0	0	0	0	0	0	0	0	0	0	0
17	0	0	0	3.1	0	0	0	0	0	0	0	0
18	0	0	0	226	0	0	0	0	0	0	0	0
19	0	0	0	0	0	0	0	0	0	0	0	0
20	0	0	.39	0	0	0	0	0	0	0	0	0
21	0	0	345	0	0	0	0	0	0	0	0	0
22	0	0	0	0	0	0	0	0	0	0	0	0
23	0	1.2	0	0	0	0	0	0	0	0	0	0
24	0	284	0	0	0	0	0	0	0	0	0	0
25	0	394	0	0	0	0	0	0	0	0	0	0
26	0	79	0	0	0	0	0	0	0	0	0	0
27	0	0	0	19	0	0	0	0	0	0	0	0
28	0	0	0	18	0	0	0	0	0	0	0	0
29	0	0	0	13	-----	0	0	0	0	0	0	0
30	0	0	0	.53	-----	0	0	0	0	0	0	0
31	0	-----	0	0	-----	0	-----	0	-----	0	0	-----
Total	0	758.80	345.39	279.74	0	20	0	0	0	0	0	0
Mean	0	25.3	11.1	9.02	0	.65	0	0	0	0	0	0
Max	0	394	345	226	0	20	0	0	0	0	0	0
Min	0	0	0	0	0	0	0	0	0	0	0	0
Acre-Ft	0	1500	685	557	0	39	0	0	0	0	0	0
Wtr Year 2002	Total	1403.93	Mean	3.85	Max	394	Min	0	Acre-Ft	2780		
Cal Year 2001	Total	1391.28	Mean	3.81	Max	394	Min	0	Acre-Ft	2760		

RUNOFF - DAILY DISCHARGE

Los Angeles County Dept of Public Works

USDAY V30 Output 04/30/2003

Summary Report

Station: F42 San Gabriel River Above Spring
 USGS #:
 Beginning Date: 10/01/2001
 Ending Date: 09/30/2002

Daily Mean Discharge in Cubic feet/second Water Year Oct 2001 to Sep 2002

Day	OCT	NOV	DEC	JAN	FEB	MAR	APR	MAY	JUN	JUL	AUG	SEP
1	200	266	2.8	178	78	187	62	24	18	59	41	141
2	253	242	2.8	178	78	187	66	23	22	65	29	145
3	226	260	2.8	178	78	187	67	22	20	69	31	182
4	209	247	2.8	178	78	187	70	22	36	63	31	95
5	193	250	2.4	178	78	117	73	25	19	58	57	99
6	203	262	1.7	178	78	79	76	25	21	59	68	90
7	197	257	1.7	178	78	118	75	26	20	56	67	87
8	186	287	1.6	178	78	76	81	27	20	58	62	77
9	193	286	1.6	178	78	71	87	28	21	56	65	48
10	169	283		178	78	71	93	28	48	52	73	54
11	188	288	178	178	78	76	96	30	23	50	76	46
12	181	341	178	178	78	80	100	31	46	54	69	40
13	209	393	178	178	78	78	101	47	23	53	92	43
14	215	239	178	178	78	79	98	35	23	60	88	48
15	210	232	178	178	78	61	117	39	24	59	80	48
16	200	231	178	178	78	63	178	34	29	56	86	54
17	231	233	178	178	78	67	74	32	29	58	98	90
18	240	237	178	178	78	114	64	33	65	58	95	69
19	246	255	178	178	78	71	54	31	29	57	116	59
20	254	257	178	178	78	44	46	54	34	63	135	67
21	263	266	178	178	78	43	31	27	38	66	135	76
22	259	269	178	178	78	44	30	29	39	92	140	80
23	262	258	178	127	78	59	26	27	43	114	138	118
24	196	846	178	78	78	42	29	28	49	49	181	164
25	147	208	178	78	142	46	24	27	52	52	196	90
26	284	209	178	78	187	49	27	24	54	50	188	101
27	285	257	178	78	187	52	23	19	55	54	191	106
28	272	303	178	78	187	54	26	22	56	56	159	105
29	277	309	178	78	-----	57	50	18	54	51	190	105
30	283	212	178	78	-----	59	21	18	62	47	152	123
31	282	-----	178	78	-----	57	-----	18	-----	44	149	-----
Total	7013	8483	3758.2	4667	2575	2575	1965	873	1072	1838	3278	2650
Mean	226	283	125	151	92.0	83.1	65.5	28.2	35.7	59.3	106	88.3
Max	285	846	178	178	187	187	178	54	65	114	196	182
Min	147	208	1.6	78	78	42	21	18	18	44	29	40
Acre-Ft	13910	16830	7450	9260	5110	5100	3900	1730	2130	3640	6500	5250
Wtr Year 2002	Total	40747.2	Mean	112	Max	846	Min	1.6	Acre-Ft	80810		
Cal Year 2001	Total	68446.2	Mean	188	Max	2010	Min	1.6	Acre-Ft	135700		

RUNOFF - DAILY DISCHARGE

Los Angeles County Dept of Public Works

USDAY V30 Output 04/30/2003

Summary Report

Station: F263 San Gabriel River Below San Gabriel River Parkway
 USGS #:
 Beginning Date: 10/01/2001
 Ending Date: 09/30/2002

Daily Mean Discharge in Cubic feet/second Water Year Oct 2001 to Sep 2002

Day	OCT	NOV	DEC	JAN	FEB	MAR	APR	MAY	JUN	JUL	AUG	SEP
1	29	0	15	25	21	4.8	.90	0	0	0	30	37
2	26	0	14	38	21	3.5	.79	0	0	0	39	43
3	25	2.4	113	204	20	4.4	.72	0	0	0	41	34
4	24	4.0	196	207	24	4.0	.74	0	0	0	37	45
5	25	2.1	205	220	21	2.7	.53	0	0	0	30	47
6	25	.08	192	211	21	2.3	0	0	0	0	36	44
7	26	184	187	212	20	2.2	0	0	0	0	34	42
8	30	224	187	215	20	2.6	1.4	0	0	0	40	41
9	26	184	191	158	20	2.6	.21	0	0	0	44	49
10	42	190	181	17	21	2.1	.28	0	0	0	46	37
11	81	127	110	11	21	1.7	0	0	0	0	43	48
12	85	159	112	9.1	21	.76	0	0	0	0	18	45
13	88	140	109	11	20	.03	0	0	0	0	0	33
14	89	45	484	109	20	0	0	0	0	0	0	50
15	88	184	45	170	21	0	0	0	0	0	0	47
16	92	188	3.2	170	21	.41	0	0	0	0	0	52
17	39	184	11	170	141	.16	0	0	0	0	0	38
18	1.6	182	101	174	81	151	0	0	0	0	0	52
19	.01	175	97	173	54	60	0	0	0	0	0	49
20	3.3	171	90	177	40	31	0	28	0	0	0	53
21	2.8	174	529	177	21	1.6	0	.04	0	0	0	51
22	1.1	171	60	177	20	.90	0	0	0	0	.26	51
23	0	157	127	176	18	.13	0	0	0	0	33	38
24	3.9	766	149	177	19	3.0	0	0	0	0	37	21
25	.89	59	143	179	12	2.1	0	0	0	0	32	45
26	0	40	141	155	4.5	2.1	0	0	0	0	43	46
27	3.8	189	204	225	4.2	1.9	0	0	0	0	38	30
28	7.1	233	132	581	4.8	1.4	0	0	0	0	27	46
29	3.6	119	103	39	-----	.22	0	0	0	0	30	48
30	0	13	13	23	-----	.03	0	0	0	18	43	35
31	.36	-----	16	21	-----	.70	-----	0	-----	30	38	-----
Total	868.46	4266.58	4260.2	4611.1	752.5	319.05	54.08	28.04	0	48	759.26	1297
Mean	28.0	142	137	149	26.9	10.3	1.80	.90	0	1.55	24.5	43.2
Max	92	766	529	581	141	151	28	28	0	30	46	53
Min	0	0	3.2	9.1	4.2	0	0	0	0	0	0	21
Acre-Ft	1730	8460	8450	9140	1490	631	107	55	0	95	1510	2570
Wtr Year 2002	Total	17264.27	Mean	47.3	Max	766	Min	0	Acre-Ft	34220		
Cal Year 2001	Total	28619.85	Mean	78.4	Max	1240	Min	0	Acre-Ft	56740		

RUNOFF - DAILY DISCHARGE

Los Angeles County Dept of Public Works

USDAY V30 Output 04/30/2003

Summary Report

Station: F209 San Gabriel River - West Fork Below Cogswell Dam
 USGS #:
 Beginning Date: 10/01/2001
 Ending Date: 09/30/2002

Daily Mean Discharge in Cubic feet/second Water Year Oct 2001 to Sep 2002

Day	OCT	NOV	DEC	JAN	FEB	MAR	APR	MAY	JUN	JUL	AUG	SEP
1	11*	13	11	7.6	5.9	6.0	5.5	3.1	2.1	.90	1.3	.92
2	11*	14	11	7.4F	5.9	5.7	5.5	3.2	2.1	.96	1.2	.96
3	11*	13	11	7.4	5.9	5.7	5.5F	3.2	2.1	1.0	1.2	1.1
4	11	13	11F	7.4	5.9	5.7	5.5	3.1	2.1	1.1	1.1	1.2
5	11	13	11	7.1	5.9	5.7F	5.5	3.0	2.1F	1.2	1.1	1.2
6	12	13	11	6.5	5.9	5.7	5.5	3.0	2.0	1.3	1.1	1.2
7	12	13	11	6.5	5.9	5.7	5.2	3.1	2.0	1.4	1.1	1.1
8	12	13	11	6.3	5.9	5.7	4.9	3.0F	2.0	1.4F	1.1	1.1
9	12	13	11	6.2	6.0	5.5	4.9	2.9	2.0	1.4	1.1	1.0F
10	13	13	10	6.1	6.0	5.7	4.9	2.9	2.0	1.4	1.1	.92
11	13	13	10	6.0	6.0F	5.7	4.8	2.9	2.0	1.4	1.1	.87
12	13	13	10	6.0	6.0	5.7	4.8	2.9	2.0	1.4	1.1	.88
13	14	13	10	6.0	6.0	5.7	4.7	2.9	2.0	1.4	1.2F	.88
14	14	13	10	5.8	6.0	5.6	4.7	2.8	2.0	1.4	1.2	.89
15	14	13	9.9	5.8	5.8	5.5	4.5	2.7	1.9	1.4	1.2	.89
16	14	13	9.9	5.6	5.7	5.5	4.5	2.8	1.9	1.3	1.2	.89
17	14	12	9.9	5.6	5.9	5.6	4.5	2.8	1.8	1.3	1.2	.90
18	13	12	9.6	5.5	5.7	5.5	4.5	2.7	1.8	1.3	1.2	.90
19	13	12	9.6	5.4	5.7	5.5	4.3	2.7	1.8	1.3	1.2	.91
20	13	12	9.4	5.4	5.9	5.5	4.3	2.8	1.7	1.3	1.3	.91
21	13	12	8.9	5.4	5.9	5.5	4.2	2.8	1.7	1.3	1.3	.92
22	14	12	8.8	5.4	5.9	5.5	4.1	2.4	1.7	1.3	1.3	.92
23	14	12	8.7	5.3	5.9	5.5	4.0	2.3	1.7	1.3	1.3	.92
24	14	12	8.5	5.2	6.0	5.5	4.0	2.3	1.7	1.3	1.4	.93
25	14	12	8.3	5.2	6.0	5.5	3.9	2.3	1.7	1.3	1.4	.93
26	14	12	8.3	5.2	5.9	5.5	3.7	2.3	1.7	1.3	1.4	.91
27	14	11	8.1	6.0	5.7	5.5	3.6	2.3	1.7	1.3	1.4	.85
28	13	11	8.1	6.0	5.8	5.5	3.5	2.2	1.6	1.3	1.2	.85
29	13	11	7.9	5.9	-----	5.5	3.4	2.2	1.4	1.3	.96	.85
30	13	11	7.9	5.9	-----	5.5	3.2	2.1	1.0	1.3	.96	.86
31	13	-----	7.7	5.9	-----	5.5	-----	2.1	-----	1.3	.96	-----
Total	400	373	298.5	187.0	165.0	173.4	136.1	83.8	55.3	39.86	36.88	28.56
Mean	12.9	12.4	9.63	6.03	5.89	5.59	4.54	2.70	1.84	1.29	1.19	.95
Max	14	14	11	7.6	6.0	6.0	5.5	3.2	2.1	1.4	1.4	1.2
Min	11	11	7.7	5.2	5.7	5.5	3.2	2.1	1.0	.90	.96	.85
Acre-Ft	796	742	599	374	331	342	270	167	109	80	73	56
Wtr Year 2002	Total	1977.40	Mean	5.42	Max	14	Min	.85	Acre-Ft	3940		
Cal Year 2001	Total	5336.8	Mean	14.6	Max	22	Min	7.6	Acre-Ft	10590		

RUNOFF - DAILY DISCHARGE

Los Angeles County Dept of Public Works

USDAY V30 Output 04/30/2003

Summary Report

Station: U8 San Gabriel River Below Morris Dam
 USGS #:
 Beginning Date: 10/01/2001
 Ending Date: 09/30/2002

Daily Mean Discharge in Cubic feet/second Water Year Oct 2001 to Sep 2002

Day	OCT	NOV	DEC	JAN	FEB	MAR	APR	MAY	JUN	JUL	AUG	SEP
1	59F	179	3.0	3.6	2.8	52	3.5	3.8	95	70	72	63
2	64	180	2.7	3.8	2.8	36	3.6	3.6	95	70	72	63
3	74	181	2.8	4.0	2.9	36	79	3.6	95	71	72	63*
4	186	182	2.7	4.0	2.9	36	179	3.7	95	71	72	17
5	242	184	114	4.0	2.9	36	176	3.6	95	70	71	20
6	241	185	194	3.9	2.9	36	175	3.7	95	69	71	68
7	240	186	192	3.9	2.9	36	174	4.0	95	69	70	68
8	239	187	190	3.8	2.9	36	106	6.6	95	70	71	68
9	237	189	107	3.7	2.9	36	3.7	21	95	70	71	69
10	237	191	3.1	3.6	2.8	36	3.6	75	94	70	71	69
11	235	192	3.0	3.4	2.8	36	3.6	104	94	70	70	70
12	235	116	3.1	3.3	2.9	35	3.8	102	95	70	70	42
13	234	5.2	3.2	3.1	3.0	35	3.7	101	95	70	70F	70
14	232	114	3.4	2.9	3.1	35	3.6	99	94	70	70	70
15	231	191	3.3	2.8	3.1	35	3.6	95	95	70	71	70
16	230	191	3.2	2.5	3.2	35	3.6	93	94	70	70	70
17	229	191	3.2	2.4	3.4	35	3.5	95	94	70	70	71
18	227	191	3.3	2.3	3.2	34	3.5	94	95	71	70	71
19	227	191	3.3	2.3	3.0	38	3.5	94	95	72	70	71
20	226	193	3.6	2.5	3.0	42	3.5	94	95	72	69	71
21	227	130	3.9	2.5	4.0	42	3.5	94	95	72	68	71
22	226	5.2	3.6	2.5	2.9	42	3.5	94	95	72	67	71
23	225	4.8	3.6	2.5	2.9	42	3.5	95	94	73	67	71
24	224	6.3	3.4	2.5	2.9	42	3.5	60	87	73	67	71
25	223	5.1	3.4	2.5	2.9	42	3.4	3.4	74	73	67	37
26	158	134	3.5	2.5	2.9	19	3.4	3.4	70	73	67	70
27	53	197	3.5	3.6	2.9	3.6	3.5	3.5	70	73	38	70
28	53	192	3.5	3.2	27	3.6	3.1	61	70	73	31	69
29	125	73	3.7	2.8	-----	3.5	3.4	94	70	72	62	69
30	180	3.9	3.6	2.7	-----	3.4	3.9	94	70	72	62	68
31	192	-----	3.6	2.7	-----	3.4	-----	94	-----	72	63	-----
Total	6011	4170.5	883.2	95.8	107.8	982.5	974.0	1795.9	2690	2203	2072	1911
Mean	194	139	28.5	3.09	3.85	31.7	32.5	57.9	89.7	71.1	66.8	63.7
Max	242	197	194	4.0	27	52	179	104	95	73	72	71
Min	53	3.9	2.7	2.3	2.8	3.4	3.1	3.4	70	69	31	17
Acre-Ft	11920	8280	1750	190	215	1940	1930	3570	5340	4380	4110	3790
Wtr Year 2002	Total	23896.7	Mean	65.5	Max	242	Min	2.3	Acre-Ft	47410		
Cal Year 2001	Total	21981.8	Mean	60.2	Max	490	Min	2.2	Acre-Ft	43580		

RUNOFF - DAILY DISCHARGE

Los Angeles County Dept of Public Works

USDAY V30 Output 04/30/2003

Summary Report

Station: F190 San Gabriel River At Foothill Boulevard
 USGS #:
 Beginning Date: 10/01/2001
 Ending Date: 09/30/2002

Daily Mean Discharge in Cubic feet/second Water Year Oct 2001 to Sep 2002

Day	OCT	NOV	DEC	JAN	FEB	MAR	APR	MAY	JUN	JUL	AUG	SEP
1	OF	28	2.1	0	.92	2.9	0	0	0	0	0	0
2	.01	53	.10	0*	.88	.44	0	0	0	0	0	0
3	.01	62	.10	0*	.84	.46	15	0	0	0	0	OF
4	24	55	.06	0	.79	.51	63	0	0	0	0	0
5	80	73	135	0	.76	.37	52	0	0	0	0	0
6	85	127	350	0	.71	.15	51	0	0	0	0	0
7	118	128	350	0	.69	.62	52	0	0	0	0	0
8	138	128	343	0	.69	.12	39	0	0	0	0	0
9	122	135	221	0	.68	.50	1.5	0	0	0	0	0
10	177	142	.50	0	.66	.91	.06	0	0	0	0	0
11	175	130	.50	0	.66	.25	0	0	0	0	0	0
12	171	93	.50	0	.65	.01	0	0	0	0	0	0
13	169	4.0	.50	.32	.66	0	0	0	0	0	OF	0
14	165	113	.50	.87	.61	0	0	0	0	0	0	0
15	160	192	.50	1.3	.56	0	0	0	0	0	0	0
16	156	162	.50	3.7*	.53	0	0	0	0	0	0	0
17	159	163	.51	5.2	.96	.19	0	0	0	0	0	0
18	159	166	.50	3.3	.44	.45	0	0	0	0	0	0
19	161	169	.50	1.6	.38	0	0	0	0	0	0	0
20	160	172	1.1	.97	.38	0	0	0	0	0	0	0
21	162	133	.86	.90	.37	0	0	0	0	0	0	0
22	161	5.1	.17	.93	.40	0	0	0	0	0	0	0
23	160	4.7	0	.85	.42	0	0	0	0	0	0	0
24	157	27	0	.80	.41	0	0	0	0	0	0	0
25	155	4.8	0	.83	.45	0	0	0	0	0	0	0
26	120	90	0	.87	.41	.84	0	0	0	0	0	0
27	10	133	0	2.9	.42	0	0	0	0	0	0	0
28	9.7	138	0	9.9	.49	0	0	0	0	0	0	0
29	15	68	0	2.0	-----	0	0	0	0	0	0	0
30	21	4.2	0	.99	-----	0	0	0	0	0	0	0
31	25	-----	0	.95	-----	0	-----	0	-----	0	0	-----
Total	3374.72	2902.8	1408.50	39.18	16.82	8.72	273.56	0	0	0	0	0
Mean	109	96.8	45.4	1.26	.60	.28	9.12	0	0	0	0	0
Max	177	192	350	9.9	.96	2.9	63	0	0	0	0	0
Min	0	4.0	0	0	.37	0	0	0	0	0	0	0
Acre-Ft	6700	5760	2790	78	34	17	542	0	0	0	0	0
Wtr Year 2002	Total	8024.30	Mean	22.0	Max	350	Min	0	Acre-Ft	15920		
Cal Year 2001	Total	13818.60	Mean	37.9	Max	377	Min	0	Acre-Ft	27410		

RUNOFF - DAILY DISCHARGE

Los Angeles County Dept of Public Works

USDAY V30 Output 07/30/2003

Summary Report

Station: F312 San Jose Channel Above Workman Mill Road
 USGS #:
 Beginning Date: 10/01/2001
 Ending Date: 09/30/2002

Daily Mean Discharge in Cubic feet/second Water Year Oct 2001 to Sep 2002

Day	OCT	NOV	DEC	JAN	FEB	MAR	APR	MAY	JUN	JUL	AUG	SEP
1	16	183	152	35	27	32	38	22	16	12	10	17
2	14	184	153	104	32	30	37	20	16	11	10	14
3	15	192	252	223	34	28	42	19	18	10	11	17
4	16	195	155	213	34	38	33	14	17	10	9.2	14
5	16	197	159	218	31	34	27	20	16	11	9.1	15
6	15	201	159	222	24	37	36	18	17	11	13	15
7	15	201	165	229	25	54	34	19	17	11	10	13
8	19	200	166	237	25	41	34	17	19	9.9	11	13
9	16	207	171	251	33	35	35	18	15	13	11	13
10	59	211	180	260	34	36	30	18	21	9.6	12	13
11	100	197	185	255	33	31	28	14	17	12	13	14
12	99	187	182	255	29	28	32	16	20	10	13	13
13	100	99	168	258	24	30	35	23	15	9.5	13	14
14	94	185	402	268	31	22	32	13	15	8.9	13	13
15	94	186	39	268	31	21	44	15	14	9.0	14	13
16	94	191	26	274	35	24	30	16	15	14	14	14
17	118	198	90	273	259	255	31	14	17	9.9	14	18
18	135	206	179	278	36	78	31	40	14	9.6	13	17
19	137	212	186	275	31	29	32	31	15	10	15	14
20	132	226	213	277	40	29	40	128	15	12	22	14
21	133	227	386	270	34	25	36	31	17	10	18	14
22	134	235	89	259	30	25	33	27	15	10	17	14
23	130	228	182	255	29	84	31	24	14	12	21	14
24	132	1030	195	258	26	33	65	21	14	10	22	14
25	132	58	199	262	30	36	31	19	15	9.7	21	14
26	132	52	204	180	30	33	53	18	13	9.8	22	16
27	137	96	204	426	27	28	25	16	12	10	16	13
28	133	160	205	273	30	27	26	17	12	9.1	17	15
29	133	114	243	43	-----	34	26	16	14	10	15	20
30	134	153	49	35	-----	37	20	16	19	10	14	21
31	129	-----	35	32	-----	42	-----	16	-----	11	14	-----
Total	2763	6211	5373	6966	1084	1316	1027	716	474	325.0	447.3	443
Mean	89.1	207	173	225	38.7	42.5	34.2	23.1	15.8	10.5	14.4	14.8
Max	137	1030	402	426	259	255	65	128	21	14	22	21
Min	14	52	26	32	24	21	20	13	12	8.9	9.1	13
Acre-Ft	5470	12310	10660	13810	2150	2610	2040	1420	937	646	890	877
Wtr Year 2002	Total	27145.3	Mean	74.4	Max	1030	Min	8.9	Acre-Ft	53830		
Cal Year 2001	Total	36887.7	Mean	101	Max	3310	Min	8.5	Acre-Ft	73160		

RUNOFF - DAILY DISCHARGE

Los Angeles County Dept of Public Works

USDAY V30 Output 07/30/2003

Summary Report

Station: F119 Santa Anita Creek Below Santa Anita Dam
 USGS #:
 Beginning Date: 10/01/2001
 Ending Date: 09/30/2002

Daily Mean Discharge in Cubic feet/second Water Year Oct 2001 to Sep 2002

Day	OCT	NOV	DEC	JAN	FEB	MAR	APR	MAY	JUN	JUL	AUG	SEP
1	.31	.30	.31	1.1	4.9	.31	3.5	8.4	6.8	.31	.31	.31
2	.31	.31	.31	1.9	3.3	.31	3.5	8.4	7.3	.31	.31	.31
3	.31	.31	.31	1.9	1.9	.31	3.5	8.4	7.3	.31	.31	.31
4	.31	.31	.31	1.9	1.0	.11	3.8	8.4	5.9	.31	.31	.31
5	.31	.31	.31	1.9	.79	.11	3.9	8.4	2.9	.31	.31	.31
6	.31	.31	.31	2.9	.80	.10	3.9	8.7	2.1	.31	.31	.31
7	.31	.31	.31	.45	.80	.10	3.9	8.8	.99	.31	.31	.31
8	.31	.31	.31	0	.81	.10	4.1	9.0	.31	.31	.31	.31
9	.31	.31	.31	.01	.82	.31	3.7	8.7	.31	.31	.31	.31
10	.31	.31	.31	.02	.82	.31	3.4	7.9	.31	.31	.31	.31
11	.31	.31	.31	.02	.83	.31	3.4	6.0	.31	.31	.31	.31
12	.31	1.6	.31	.03	.83	.31	3.4	3.4	.31	.31	.31	.31
13	.31	3.5	.31	.04	.84	.31	3.4	16	.31	.31	.31	.31
14	.31	1.2	.31	.04	.85	.31	3.4	8.7	.31	.31	.31	.31
15	.31	.31	.31	1.5	.85	.31	3.8	.68	.31	.31	.31	.31
16	.31	.31	.31	6.6	.86	.31	3.9?	.38	.31	.31	.31	.31
17	.39	.31	.31	6.5	4.3	.31	4.2?	.37	.31	.31F	.31	.31
18	0	.31	.31	6.5	3.6	.31	3.9?	.37	.31	.31	.31	.31
19	0	.31	.31	6.5	2.2	.45	3.8?	.36	.31	.31	.31	.31
20	0	.31	.45	6.6	1.9	.22	3.8?	.36	.31	.31	.31	.31
21	0	.31	4.3	7.1	3.5	1.1	3.8?	.36	.31	.31	.31	.31
22	0	.47	2.1	7.1	6.3	3.4	3.8?	.35	.31	.31	.31	.31
23	0	.11	.47	7.1	6.5	3.5	3.5?	.35	.31	.31	.31	.31
24	0	1.3	.31	7.1	6.5	3.5	3.3?	5.4	.31	.31	.31	.31
25	4.1	1.3	.31	7.1	6.5	3.8	3.3?	6.6	.31	.31	.31	.31
26	2.6	.04	.31	7.3	6.5	4.0	3.3?	6.6	.31	.31	.31	.31
27	.93	0	.31	8.8	5.5	4.0	3.9?	6.6	.31	.31	.31	.31
28	.03	.14	.31	15	3.5	4.0	5.4?	6.6	.31	.31	.31	.31
29	0	.31	.31	23	-----	3.7	6.8?	6.6	.31	.31	.31	.31
30	0	.31	.31	22	-----	3.5	7.3?	6.6	.31	.31	.31	.31
31	0	-----	.31	17	-----	3.5	-----	6.5	-----	.31	.31	-----
Total	13.01	15.85	15.69	175.01	77.80	94.70	118.6	174.28	40.42	9.61	9.61	9.30
Mean	.42	.53	.51	5.65	2.78	3.05	3.95	5.62	1.35	.31	.31	.31
Max	4.1	3.5	4.3	23	6.5	11	7.3	16	7.3	.31	.31	.31
Min	0	0	.31	0	.79	.22	3.3	.35	.31	.31	.31	.31
Acre-Ft	26	31	31	344	155	188	237	347	80	19	19	18
Wtr Year 2002	Total	753.88	Mean	2.07	Max	23	Min	0	Acre-Ft	1490		
Cal Year 2001	Total	1027.94	Mean	2.82	Max	97	Min	0	Acre-Ft	2040		

RUNOFF - DAILY DISCHARGE

Los Angeles County Dept of Public Works

USDAY V30 Output 04/30/2003

Summary Report

Station: F193 Santa Anita Wash At Longden Avenue
 USGS #:
 Beginning Date: 10/01/2001
 Ending Date: 09/30/2002

Daily Mean Discharge in Cubic feet/second Water Year Oct 2001 to Sep 2002

Day	OCT	NOV	DEC	JAN	FEB	MAR	APR	MAY	JUN	JUL	AUG	SEP
1	.63	.50	.72	.67	.72	.76	.42	.07	.10	.52	.92	.25
2	.46	.78	.57	.66	.81	.53	.05	.03	.11	1.1	.81	.42
3	.60	.74	4.0	1.1	.75	1.5	.07	.62	.86	.64	.49	.45
4	.17	.85	.64	.69	.97	5.7	.08	.09	.07	.71	.32	.24
5	.29	.77	.50	.56	1.1	.53	.03	.09	.09	.73	.53	.27
6	.92	.79	.32	.61	1.5	1.5	1.6	.11	.17	.75	.30	.33
7	.83	.67	.65	.64	3.2	5.9	.60	.20	.05	.86	.29	.27
8	.82	.76	.51	.90	.75	1.0	.63	.14	.08	.88	.22	.35
9	.54	.72	.61	.65	.68	.88	.54	.05	.18	.78	.27	.37
10	.53	.64	.54	.67	.67	.89	.40	.01	.05	.85	.27	.20
11	.59	1.3	.58	.70	1.6	.89	.27	.02	.48	1.1	.21	.21
12	.88	.11	1.5	2.0	1.2	.94	.20	.02	.81	.79	.41	.24
13	.74	1.5	.92	2.8	1.0	.89	.15	1.1	.61	.82	.35	.23
14	.73	.59	8.0	.60	.94	.75	.09	.16	.69	.72	.37	.31
15	.79	3.6	.83	.77	1.0	.73	.62	.50	.97	.68	.49	.13
16	.88	.73	.59	9.1	.76	.81	.15	.18	.87	.84	.57	.15
17	.71	.78	.52	.64	1.0	8.5	.07	.20	.45	.92	.47	.19
18	.70	.65	.71	.49	.85	2.3	.06	.11	.88	.74	.37	.19
19	.86	.71	.71	.54	.83	1.6	.60	.40	.87	.90	.52	.21
20	.70	.95	.13	.55	.71	1.5	.53	3.4	1.1	.87	.73	.26
21	.69	.69	9.0	3.4	.81	1.4	.37	.05	1.7	.56	.51	.17
22	.72	.71	1.0	2.1	.66	1.3	.35	.04	.75	.60	.35	.21
23	.67	.61	.76	1.8	.62	1.6	.24	.09	.69	.74	.31	.21
24	.75	.43	.47	.75	.58	1.6	2.0	.08	.85	.84	.34	.39
25	.60	1.4	.49	.70	.72	1.3	.40	.15	.76	.88	.29	.27
26	.47	.74	.56	.75	.73	1.3	.44	.07	.93	.88	.49	.24
27	.65	.44	.68	.35	.72	1.3	.42	.03	1.0	.82	.47	.54
28	.63	.44	.51	6.9	.78	.95	.31	.04	.62	.57	.33	.60
29	.48	2.5	2.8	2.4	-----	1.0	.30	.36	.99	.68	.33	.59
30	1.1	.52	.78	2.3	-----	.97	.47	.37	.69	.90	.38	.34
31	.35	-----	.65	.72	-----	1.0	-----	.14	-----	.98	.19	-----
Total	20.48	80.08	54.12	82.16	35.66	51.82	12.46	8.92	18.47	24.65	12.90	8.83
Mean	.66	2.67	1.75	2.65	1.27	1.67	.42	.29	.62	.80	.42	.29
Max	1.1	.43	.13	.35	.10	8.5	2.0	3.4	1.7	1.1	.92	.60
Min	.17	.44	.32	.49	.58	.53	.03	.01	.05	.52	.19	.13
Acre-Ft	40	160	108	163	72	103	25	18	37	49	25	18
Wtr Year 2002	Total	410.55	Mean	1.12	Max	43	Min	.01	Acre-Ft	816		
Cal Year 2001	Total	1136.89	Mean	3.11	Max	86	Min	.01	Acre-Ft	2260		

RUNOFF - DAILY DISCHARGE

Los Angeles County Dept of Public Works

USDAY V30 Output 04/30/2003

Summary Report

Station: F260 Santa Anita Wash Below Foothill Boulevard
 USGS #:
 Beginning Date: 10/01/2001
 Ending Date: 09/30/2002

Daily Mean Discharge in Cubic feet/second Water Year Oct 2001 to Sep 2002

Day	OCT	NOV	DEC	JAN	FEB	MAR	APR	MAY	JUN	JUL	AUG	SEP
1	.70	.46	.23	.23	1.4	1.4	.97	.46	.70	0	0	0
2	.70	.46	.23	.23	1.4	1.4	.70	.46	.70	0	0	0
3	.70	.46	.31	.25	1.4	1.4	.70	.46	.76	0	0	0
4	.70	.46	.24	.23	1.4	1.4	.70	.46	.70	0	0	0
5	.70	.46	.23	.23	1.4	1.4	.70	.46	.70F	0	0	0
6	.72	.46	.23	.23	1.4	1.4	.73	.46	.70	0	0	0
7	.74	.46	.23	.98	1.4	1.5	.70	.46	.70	0	0	0
8	.75	.46	.23	1.4	1.4	1.4	.70	.46	.70	0	0	0
9	.72	.46	.23	1.4	1.4	1.4	.70	.46	.72	0	0	0
10	.70	.46	.23	1.4	1.4	1.4	.70	.46	.70	0	0	0
11	.70	.48	.23	1.4	1.4	1.4	.70	.46	.70	0	0	0
12	.70	.62	.23	1.5	1.4	1.4	.70	.46	.70	0	0	0
13	.70	.46	.23	1.5	1.4	1.4	.70	.57	.70	0	0	0
14	.71	.47	.36	1.4	1.4	1.4	.70	.46	.70	0	0	0
15	.71	.55	.23	1.4	1.4	1.4	.74	.46	.70	0	0	0
16	.59	.46	.23	1.6	1.4	1.4	.70	.46	.70	0	0	0
17	.46	.46	.23	1.4	1.6	1.6	.70	.46	.70	0	0	0
18	.46	.46	.23	1.4	1.4	1.4	.58	.46	.70	0	0	0
19	.46	.46	.23	1.4	1.4	1.4	.46	.46	.70	0	0	0
20	.46	.46	.43	1.4	1.4	1.4	.46	.57	.70	0	0	0
21	.46	.46	.45	1.4	1.4	1.4	.46	.46	.78	0	0	0
22	.46	.46	.23	1.4	1.4	1.4	.46	.46	.70	0	0	0
23	.46	.46	.23	1.4	1.4	1.4	.46	.46	.70	0	0	0
24	.46	1.3	.23	1.4	1.4	1.4	.50	.46	.70	0	0	0
25	.46	.47	.23	1.4	1.4	1.4	.46	.46	.70	0	0	0
26	.46	.46	.23	1.4	1.4	1.4	.46	.46	.70	0	0	0
27	.46	.46	.23	2.2	1.4	1.4	.46	.46	.70	0	0	0
28	.46	.46	.23	1.6	1.4	1.4	.46	.46	.70	0	0	0
29	.46	.51	.31	1.4	-----	1.4	.46	.46	.70	0	0	0
30	.47	.46	.23	1.4	-----	1.4	.46	.46	.35	0	0	0
31	.46	-----	.23	1.4	-----	1.4	-----	.46	-----	0	0	-----
Total	18.15	14.98	7.85	37.38	39.4	43.7	18.38	14.48	20.81	0	0	0
Mean	.59	.50	.25	1.21	1.41	1.41	.61	.47	.69	0	0	0
Max	.75	1.3	.45	2.2	1.6	1.6	.97	.57	.78	0	0	0
Min	.46	.46	.23	.23	1.4	1.4	.46	.46	.35	0	0	0
Acre-Ft	36	29	17	75	79	87	36	28	41	0	0	0
Wtr Year 2002	Total	215.13	Mean	.59	Max	2.2	Min	0	Acre-Ft	429		
Cal Year 2001	Total	453.12	Mean	1.24	Max	89	Min	0	Acre-Ft	901		

RUNOFF - DAILY DISCHARGE

Los Angeles County Dept of Public Works

USDAY V30 Output 02/04/2004

Summary Report

Station: F92 Santa Clara River at Old Road Bridge
 USGS #:
 Beginning Date: 10/01/2001
 Ending Date: 09/30/2002

Daily Mean Discharge in Cubic feet/second Water Year Oct 2001 to Sep 2002

Day	OCT	NOV	DEC	JAN	FEB	MAR	APR	MAY	JUN	JUL	AUG	SEP
1	2.6	2.6	2.6	6.6	18	0	0	0	5.3	5.0	3.4	2.3
2	2.6	2.6	2.6	6.6	18	0	0	2.7	4.1	5.4	3.4	2.3
3	2.6	2.6	2.6	7.0	18	0	0	3.6	5.2	5.6	3.4	2.4
4	2.6	2.6	2.6	7.0	18	0	0	5.1	3.5	5.7	4.8	2.3
5	2.6	2.6	2.6	7.4		0	0	4.9	5.6	5.5	3.2	2.4
6	2.6	2.6	2.6	7.4		0	0	5.7	4.5	5.5	3.1	2.4
7	2.6	2.6	2.6	7.8		0	0	5.8	4.6	5.5	3.1	2.2
8	2.6	2.6	2.6	8.0		0	0	5.9	4.7	5.5	3.1	2.2
9	2.6	2.6	2.6	8.4		0	0	6.2	5.6	5.3	2.9	2.2
10	2.6	2.6	2.6	8.8		0	0	6.3	6.1	4.9	2.7	2.3
11	2.6	2.6	2.6	9.2		0	0	6.2	6.0	4.8	2.6	2.2
12	2.5	2.6	2.6	9.6		0	0	6.1	5.3	4.8	2.6	2.2
13	2.6	2.6	2.6	10		0	0	5.9	5.9	4.7	2.5	2.3
14	2.6	2.6	3.0	11		0	0	5.9	6.0	4.5	2.6	2.3
15	2.6	2.6	3.0	16	0	0	.01	6.0	6.0	4.3	2.6	2.3
16	2.6	2.6	3.4	16	0	0	0	5.7	6.0	4.4	2.6	2.3
17	2.6	2.6	3.4	16	0	0	0	6.1	5.8	4.3	2.7	2.3
18	2.6	2.6	3.8	16	0	0	0	4.4	6.0	4.3	2.7	2.4
19	2.6	2.6	3.8	16	0	0	0	2.8	6.2	4.3	2.7	2.3
20	2.6	2.6	4.2	15	0	0	0	3.5	6.0	4.2	2.7	2.3
21	2.6	2.6	4.2	15	0	0	0	6.0	6.3	4.1	2.7	2.3
22	2.6	2.6	4.6	15	0	0	0	6.0	5.8	3.9	2.6	2.3
23	2.6	2.6	4.6	15	0	0	0	5.8	5.8	3.9	2.6	2.3
24	2.6	2.7	5.0	15	0	0	0	5.8	5.7	3.7	2.5	2.3
25	2.6	2.6	5.0	15	0	0	0	6.1	5.7	3.6	2.4	2.3
26	2.6	2.6	5.4	15	0	0	0	5.9	5.8	3.6	2.4	2.3
27	2.6	2.6	5.4	89	0	0	0	6.1	5.8	3.6	2.4	2.4
28	2.6	2.6	5.8	18	0	0	0	5.2	5.7	3.6	2.5	2.5
29	2.6	2.6	5.8	18	-----	0	0	6.1	5.8	3.5	2.5	2.4
30	2.6	2.6	6.2	18	-----	0	0	5.3	5.7	3.4	2.4	-----
31	2.6	-----	6.2	18	-----	0	-----	5.3	-----	3.5	2.4	-----
Total	80.5	78.1	116.6	460.8	72	0	0.01	162.4	166.5	138.9	86.8	67.0
Mean	2.60	2.60	3.76	14.9	4.00	0	0	5.24	5.55	4.48	2.80	2.31
Max	2.6	2.7	6.2	89	18	0	.01	6.3	6.3	5.7	4.8	2.5
Min	2.5	2.6	2.6	6.6	0	0	0	0	3.5	3.4	2.4	2.2
Acre-Ft	158	153	231	914	143	0	.02	320	329	276	173	133
Wtr Year 2002	Total	1429.61	Mean	4.04	Max	89	Min	0	Acre-Ft	2830		
Cal Year 2001	Total	2667.2	Mean	7.31	Max	27	Min	2.5	Acre-Ft	5290		

RUNOFF - DAILY DISCHARGE

Los Angeles County Dept of Public Works

USDAY V30 Output 07/30/2003

Summary Report

Station: F280 Santa Fe Channel Below Santa Fe Dam
 USGS #:
 Beginning Date: 10/01/2001
 Ending Date: 09/30/2002

Daily Mean Discharge in Cubic feet/second Water Year Oct 2001 to Sep 2002

Day	OCT	NOV	DEC	JAN	FEB	MAR	APR	MAY	JUN	JUL	AUG	SEP
1	0	0	0	0	15	.39	0	0	0	0F	0	0
2	0	0	0	0	17	.67	0	0	0	0	0*	0
3	0	0	0	0	7.2	.17	0	0	0F	0	0*	0F
4	0	0	0	0	0	.03	0	0	0	0	0*	0
5	0	0	0	0	0	0	0	0	0	0	0*	0
6	0	0	0	0	0	0	0	0	0	0	0*	0
7	0	0	0	0	0	.22	0	0	0	0	0*	0
8	0	0	0	0	0	.23	0	0	0	0	0*	0
9	0	0	0	0	0	.06	0	0	0	0	0*	0
10	0	0	0	0	0	0	0	0	0	0	0*	0
11	0	0	0	0	0	0	0	0	0	0	0*	0
12	0	.02	0	0	0	0	0	0	0	0	0*	0
13	0	.06	0	0	0	0	0	0	0	0	0*	0
14	0	.01	0	.06	0	0	0	0	0	0	0	0
15	0	0	.01	.07	0	0	0	0	0	0	0	0
16	0	0	0	7.3	0	0	0	0	0	0	0	0
17	0	0	0	14	.35	0	0	0	0	0	0	0
18	0	0	0	.01	.54	.60	0	0	0	0	0	0
19	0	0	.01	.05	.25	.27	0	0	0	0	0	0
20	0	0	.03	.16	.14	.09	0	0	0	0	0	0
21	0	0	.07	.44	.07	.03	0	0	0	0	0	0
22	0	0	.02	.64	.03	0	0	0	0	0	0	0
23	0	.05	0	0	0	0	0	0	0	0	0	0
24	0	.07	0	0	0	0	0	0	0	0	0	0
25	0	.07	0	0	0	0	0	0	0	0	0	0
26	0	.06	0	0	0	0	0	0	0	0	0	0
27	0	.01	0	1.8	0	0	0	0	0	0	0	0
28	0	0	0	9.2	0	0	0	0	0	0	0	0
29	0	0	0	9.6	-----	0	0	0	0	0	0	0
30	0	0	0	10	-----	0	0	0	0	0	0	0
31	0	-----	0	13	-----	0	-----	0	-----	0	0	-----
Total	0	0.35	0.14	66.33	40.58	2.76	0	0	0	0	0	0
Mean	0	.012	.005	2.14	1.45	.089	0	0	0	0	0	0
Max	0	.07	.07	14	17	.67	0	0	0	0	0	0
Min	0	0	0	0	0	0	0	0	0	0	0	0
Acre-Ft	0	.6	.2	130	79	5.4	0	0	0	0	0	0
Wtr Year 2002	Total	110.16	Mean	.30	Max	17	Min	0	Acre-Ft	215		
Cal Year 2001	Total	237.56	Mean	.65	Max	16	Min	0	Acre-Ft	468		

RUNOFF - DAILY DISCHARGE

Los Angeles County Dept of Public Works

USDAY V30 Output 04/30/2003

Summary Report

Station: F278 Sawpit Creek Below Sawpit Dam
 USGS #:
 Beginning Date: 10/01/2001
 Ending Date: 09/30/2002

Daily Mean Discharge in Cubic feet/second Water Year Oct 2001 to Sep 2002

Day	OCT	NOV	DEC	JAN	FEB	MAR	APR	MAY	JUN	JUL	AUG	SEP
1	.41	.53	.93	1.1	1.6	1.2	1.1	1.3	1.1	1.0F	.90F	.81
2	.45	.53	1.0	1.1	1.5	1.2	1.1	1.3	1.1	1.0	.89	.76
3	.40	.52	1.0	1.2	1.5	1.2	1.2	1.3	1.1F	.99	.89	.74
4	.36	.50	.73	1.2	1.4	1.2	1.1	1.3	1.1	1.0	.85	.84
5	.36	.52	.72	1.2	1.4	1.2	1.2	1.4	1.1	1.0	.85	.81
6	.39	.49	.64	1.1	1.4	1.2	1.3	1.6	1.1	1.0	.84	.81
7	.51	.52	.65	1.2	1.4	1.3	1.3	1.5	1.1	1.0	.84	.81
8	.59	.51	.72	1.2	1.4	1.3	1.3	1.3	1.1	.99	.83	.81
9	.63	.47	.72	1.2	1.4	1.2	1.4	1.2	1.1	.98	.80	.80F
10	.77	.53	.72	1.2	1.4	1.3	1.3	1.3	1.1	.98	.82	.77
11	.95	.54	.72	1.2	1.4	1.2	1.3	1.2	1.2	.98	.80	.72
12	.70	.59	.72	1.2	1.4	1.2	1.3	1.2	1.2	1.0	.77	.67
13	.57	.58	.72	1.2	1.4	1.2	1.2	1.2	1.2	1.0	.76	.63
14	.51	.13	.77	1.2	1.4	1.2	1.2	1.1	1.1	.99	.74	.54
15	.37	.11	.80	1.2	1.4	1.2	1.3	1.1	1.2	.97	.74	.47
16	.29	.18	.76	1.3	1.4	1.2	1.3	1.2	1.1	.92	.74	.49
17	.30	.25	.81	1.3	1.6	1.2	1.2	1.2	1.1	.87	.74	.40
18	.33	.27	.86	1.3	1.4	1.3	1.3	1.2	1.1	.92	.74	.39
19	.32	.27	.90	1.2	1.4	1.2	1.0	1.2	1.1	.87	.82	.42
20	.34	.27	.91	1.2	1.5	1.2	.97	1.3	1.1	.91	.82	.47
21	.36	.30	1.4	1.2	1.5	1.1	1.0	1.2	1.1	.96	.82	.54
22	.40	.44	1.1	1.2	1.5	1.1	1.0	1.1	1.1	.96	.84	.51
23	.29	.45	1.0	1.2	1.4	1.1	1.0	1.1	1.1	.93	.85	.53
24	.23	.73	1.0	1.2	1.4	1.1	1.1	1.1	1.1	.90	.85	.51
25	.17	.75	1.1	1.2	1.3	1.1	1.2	1.1	1.1	.87	.83	.49
26	.14	.77	1.1	1.2	1.3	1.1	1.2	1.1	1.1	.86	.82	.55
27	.14	.73	1.1	1.5	1.4	1.1	1.2	1.1	1.1	.86	.82	.52
28	.24	.72	1.0	1.8	1.4	1.1	1.2	1.1	1.0	.86	.83	.51
29	.25	.72	1.0	1.7	-----	1.1	1.2	1.1	1.0	.86	.80	.56
30	.26	.76	1.1	1.6	-----	1.1	1.3	1.1	1.0	.85	.84	.59
31	.44	-----	1.1	1.5	-----	1.1	-----	1.1	-----	.88F	.81	-----
Total	12.47	14.68	27.80	39.3	39.9	36.5	35.77	37.6	33.1	29.16	25.29	18.47
Mean	.40	.49	.90	1.27	1.42	1.18	1.19	1.21	1.10	.94	.82	.62
Max	.95	.77	1.4	1.8	1.6	1.3	1.4	1.6	1.2	1.0	.90	.84
Min	.14	.11	.64	1.1	1.3	1.1	.97	1.1	1.0	.85	.74	.39
Acre-Ft	25	29	55	78	80	73	70	75	66	58	50	37
Wtr Year 2002	Total	350.04	Mean	.96	Max	1.8	Min	.11	Acre-Ft	695		
Cal Year 2001	Total	452.55	Mean	1.24	Max	8.1	Min	.11	Acre-Ft	899		

RUNOFF - DAILY DISCHARGE

Los Angeles County Dept of Public Works

USDAY V30 Output 04/30/2003

Summary Report

Station: F194 Sawpit Wash Below Live Oak Avenue
 USGS #:
 Beginning Date: 10/01/2001
 Ending Date: 09/30/2002

Daily Mean Discharge in Cubic feet/second Water Year Oct 2001 to Sep 2002

Day	OCT	NOV	DEC	JAN	FEB	MAR	APR	MAY	JUN	JUL	AUG	SEP
1	.08	.07	.28	.04	.02	.06	.07	.08	.07	.09	.09	.07
2	.08	.08	.29	.03	.02	.06	.07	.09	.06	.12	.08	.10
3	.08	.07	2.9	.18	.03	.04	.07	.08	.08	.10	.09	.08
4	.10	.07	.33	.05	.03	.04	.06	.09	.08	.09	.08	.09
5	.09	.10	.29	.05	.03	.07	.06	.07	.08	.08	.08	.10
6	.07	.17	.21	.03	.06	.51	.06	.07	.09	.09	.09	.09
7	.08	.09	.05	.04	.10	7.9	.06	.13	.10	.10	.10	.16
8	.08	.08	.06	.05	.06	.28	.07	.08	.09	.08	.11	.09
9	.09	.08	.05	.04	.05	.25	.06	.07	.12	.10	.08	.07
10	.07	.08	.05	.05	.04	.26	.06	.07	.12	.09	.10	.07
11	.09	.16	.05	.02	.04	.21	.06	.08	.09	.11	.07	.09
12	.12	.21	.05	.04	.05	.07	.07	.07	.07	.12	.07	.08
13	.09	.20	.10	.03	.06	.05	.07	.09	.07	.10	.09	.08
14	.11	.04	.12	.04	.06	.03	.07	.09	.07	.09	.10	.11
15	.08	.04	.29	.03	.06	.04	.14	.07	.08	.10	.10	.10
16	.08	.05	.21	5.6	.06	.05	.07	.08	.07	.10	.10	.08
17	.09	.07	.04	.03	.12	.13	.07	.08	.07	.10	.08	.22
18	.07	.06	.03	.02	.07	.32	.07	.08	.08	.10	.08	.10
19	.08	.04	.03	.02	.03	.07	.07	.12	.09	.10	.09	.18
20	.09	.07	.28	.02	.06	.05	.06	.10	.11	.10	.10	.19
21	.09	.07	.17	.02	.06	.07	.07	.10	.17	.10	.08	.19
22	.08	.07	.08	.02	.07	.06	.07	.06	.08	.10	.08	.17
23	.08	.07	.06	.01	.06	.14	.07	.06	.07	.10	.09	.18
24	.09	122	.02	.02	.04	.06	2.8	.07	.09	.08	.09	.19
25	.09	.65	.03	.03	.06	.05	.16	.08	.09	.09	.07	.18
26	.11	.17	.02	.05	.08	.11	.08	.07	.11	.09	.08	.19
27	.08	.12	.03	.58	.05	.12	.07	.07	.09	.09	.11	.20
28	.08	.06	.04	9.4	.05	.10	.06	.07	.07	.07	.09	.27
29	.07	1.6	1.9	.84	-----	.06	.07	.18	.08	.07	.09	.24
30	.15	.29	.08	.44	-----	.06	.07	.33	.07	.08	.10	.20
31	.16	-----	.05	.41	-----	.07	-----	.08	-----	.08	.10	-----
Total	2.80	147.72	64.62	75.65	13.40	24.26	4.91	12.76	2.61	2.91	2.76	4.16
Mean	.090	4.92	2.08	2.44	.48	.78	.16	.41	.087	.094	.089	.14
Max	.16	122	.28	.58	.12	.13	2.8	.10	.17	.12	.11	.27
Min	.07	.04	.02	.01	.02	.03	.06	.06	.06	.07	.07	.07
Acre-Ft	6.0	291	128	150	28	47	9.1	26	5.1	5.9	5.8	8.5
Wtr Year 2002	Total	358.56	Mean	.98	Max	122	Min	.01	Acre-Ft	712		
Cal Year 2001	Total	1358.96	Mean	3.72	Max	187	Min	.02	Acre-Ft	2690		

RUNOFF - DAILY DISCHARGE

Los Angeles County Dept of Public Works

USDAY V30 Output 07/30/2003

Summary Report

Station: F32 Thompson Creek Below Dam
 USGS #:
 Beginning Date: 10/01/2001
 Ending Date: 09/30/2002

Daily Mean Discharge in Cubic feet/second Water Year Oct 2001 to Sep 2002

Day	OCT	NOV	DEC	JAN	FEB	MAR	APR	MAY	JUN	JUL	AUG	SEP
1	0	0	0	0	0	0	0	0	0	0	0	0
2	0	0	0	0	0	0	0	0	0	0	0	0
3	0	0	0	0	0	0	0	0	0	0	0	0
4	0	0	0	0	0	0	0	0	0	0	0	0
5	0	0	0	0	0	0	0	0	0	0	0	0
6	0	0	0	0	0	0	0	0	0	0	0	0
7	0	0	0	0	0	0	0	0	0	0	0	0
8	0	0	0	0	0	0	0	0	0	0	0	0
9	0	0	0	0	0	0	0	0	0	0	0	0
10	0	0	0	0	0	0	0	0	0	0	0	0
11	0	0	0	0	0	0	0	0	0	0	0	0
12	0	0	0	0	0	0	0	0	0	0	0	0
13	0	0	0	0	0	0	0	0	0	0	0	0
14	0	0	0	0	0	0	0	0	0	0	0	0
15	0	0	0	0	0	0	0	0	0	0	0	0
16	0	0	0	0	0	0	0	0	0	0	0	0
17	0	0	0	0	0	0	0	0	0	0	0	0
18	0	0	0	0	0	0	0	0	0	0	0	0
19	0	0	0	0	0	0	0	0	0	0	0	0
20	0	.69	0	0	0	0	0	0	0	0	0	0
21	0	1.2	0	0	0	0	0	0	0	0	0	0
22	0	1.2	0	0	0	0	0	0	0	0	0	0
23	0	1.2	0	0	0	0	0	0	0	0	0	0
24	0	1.2	0	0	0	0	0	0	0	0	0	0
25	0	1.2	0	0	0	0	0	0	0	0	0	0
26	0	1.2	0	0	0	0	0	0	0	0	0	0
27	0	1.2	0	0	0	0	0	0	0	0	0	0
28	0	1.2	0	.13	0	0	0	0	0	0	0	0
29	0	1.2	0	.13	-----	0	0	0	0	0	0	0
30	0	.59	0	.13	-----	0	0	0	0	0	0	0
31	0	-----	0	.09	-----	0	-----	0	-----	0	0	-----
Total	0	12.08	0	0.48	0	0	0	0	0	0	0	0
Mean	0	.40	0	.015	0	0	0	0	0	0	0	0
Max	0	1.2	0	.13	0	0	0	0	0	0	0	0
Min	0	0	0	0	0	0	0	0	0	0	0	0
Acre-Ft	0	23	0	1.1	0	0	0	0	0	0	0	0
Wtr Year 2002	Total	12.56	Mean	.034	Max	1.2	Min	0	Acre-Ft	24		
Cal Year 2001	Total	14.27	Mean	.039	Max	1.2	Min	0	Acre-Ft	28		

RUNOFF - DAILY DISCHARGE

Los Angeles County Dept of Public Works

USDAY V30 Output 07/30/2003

Summary Report

Station: F54C Topanga Creek Above Mouth of Canyon
 USGS #:
 Beginning Date: 10/01/2001
 Ending Date: 09/30/2002

Daily Mean Discharge in Cubic feet/second Water Year Oct 2001 to Sep 2002

Day	OCT	NOV	DEC	JAN	FEB	MAR	APR	MAY	JUN	JUL	AUG	SEP
1	3.5	3.3	2.4	2.9	.90	.75	.57	.36	.30	.30	.27	.27
2	3.5	3.1	1.7	3.0	.70	.67	.59	.36	.30	.30	.27	.27
3	3.5	2.9	2.8	5.5	.99	.60	.65	.34	.30	.30	.27	.27
4	3.5	2.7	2.4	3.7	.85	.58	.62	.33	.30	.30	.27	.27
5	3.5	2.4	1.8	3.2	.82	.60	.57	.33	.30	.30	.27	.27
6	3.5	2.4	1.7	2.9	.83	.60	.56	.33	.30	.30	.27	.27
7	3.5	2.4	1.7	2.9	.83	1.1	.55	.33	.30	.30	.27	.27
8	3.5	2.4	1.8	2.9	.87	.82	.51	.33	.30	.30	.27	.27
9	3.5	2.4	1.7	2.9	1.1	.68	.45	.33	.30	.30	.27	.27
10	3.5	2.4	1.7	3.0	2.2	.60	.45	.33	.30	.30	.27	.27
11	3.5	2.8	1.7	2.8	2.5	.60	.44	.33	.30	.30	.27	.27
12	3.5	3.4	1.7	2.9	1.2	.58	.42	.33	.30	.30	.27	.27
13	3.5	3.6	1.7	3.0	.82	.57	.42	.33	.30	.30	.27	.27
14	3.5	2.6	2.1	3.1	.82	.53	.42	.40	.30	.30	.27	.27
15	3.5	2.5	2.9	3.2	.87	.54	.45	.33	.30	.30	.27	.27
16	3.4	2.5	2.5	3.2	.91	.56	.42	.33	.30	.30	.27	.27
17	3.4	2.5	2.3	3.1	2.4	.69	.42	.33	.30	.30	.27	.27
18	3.4	2.5	2.4	3.2	1.7	.84	.42	.33	.30	.30	.27	.31
19	3.4	2.5	2.4	3.2	1.2	.58	.41	.33	.30	.30	.27	.33
20	3.4	2.5	2.5	3.2	1.2	.56	.41	.38	.30	.30	.27	.33
21	3.4	2.5	7.8	3.2	1.1	.54	.39	.33	.30	.30	.27	.33
22	3.4	2.5	5.2	3.2	1.0	.54	.39	.33	.30	.30	.27	.33
23	3.4	2.5	4.2	1.3	.99	.56	.39	.33	.30	.30	.27	.33
24	3.4	.35	4.1	0	.83	.59	.38	.33	.30	.30	.27	.33
25	3.4	8.0	4.1	.01	.83	.57	.36	.33	.30	.29	.27	.33
26	3.4	3.9	4.1	.10	.77	.57	.36	.33	.30	.28	.27	.33
27	3.4	3.2	4.3	6.3	1.3	.54	.36	.33	.30	.28	.27	.33
28	3.4	3.0	4.4	3.2	.76	.54	.36	.33	.30	.28	.27	.33
29	3.5	9.2	7.7	.49	-----	.55	.36	.32	.30	.27	.27	.33
30	3.4	4.9	7.8	.29	-----	.55	.36	.31	.30	.27	.27	.33
31	3.3	-----	5.4	.19	-----	.57	-----	.31	-----	.27	.27	-----
Total	106.9	128.5	101.0	82.08	31.29	19.17	13.46	10.37	9.00	9.14	8.37	8.86
Mean	3.45	4.28	3.26	2.65	1.12	.62	.45	.33	.30	.29	.27	.30
Max	3.5	.35	7.8	6.3	2.5	1.1	.65	.40	.30	.30	.27	.33
Min	3.3	2.4	1.7	0	.70	.53	.36	.31	.30	.27	.27	.27
Acre-Ft	212	255	200	164	62	38	27	22	18	18	16	17
Wtr Year 2002	Total	528.14	Mean	1.45	Max	35	Min	0	Acre-Ft	1050		
Cal Year 2001	Total	3002.78	Mean	8.23	Max	257	Min	.95	Acre-Ft	5960		

RUNOFF - DAILY DISCHARGE

Los Angeles County Dept of Public Works

USDAY V30 Output 07/30/2003

Summary Report

Station: F252 Verdugo Wash At Estelle Avenue
 USGS #:
 Beginning Date: 10/01/2001
 Ending Date: 09/30/2002

Daily Mean Discharge in Cubic feet/second Water Year Oct 2001 to Sep 2002

Day	OCT	NOV	DEC	JAN	FEB	MAR	APR	MAY	JUN	JUL	AUG	SEP
1	6.2	17	10	4.8	5.2	6.5	5.6	5.0	8.0	11	6.2	10
2	6.2	4.2	5.6	4.4	2.2	8.6	6.8	5.5	6.1	12	6.2	8.6
3	6.2	4.2	10	5.7	1.2	9.1	9.1	6.0	5.4	12	6.2	7.1
4	6.2	4.2	7.8	4.2	.64	9.6	6.4	5.8	5.5	12	6.2	9.0
5	6.3	4.2	5.9	3.7	1.2	10	5.9	4.8	6.2	12	6.8	8.2
6	7.1	4.2	5.1	3.7	1.1	19	5.6	4.9	6.7	12	7.0	10
7	7.1	4.2	4.6	3.3	1.2	14	13	5.2	7.1	12	5.4	12
8	7.1	4.2	4.6	2.3	.88	9.1	14	6.1	6.6	12	5.7	12
9	7.1	4.2	26	2.6	1.8	8.3	13	5.5	5.4	11	4.6	12
10	7.1	4.2	54	2.8	3.0	9.6	13	5.1	5.4	11	4.2	12
11	7.1	4.3	23	4.0	2.8	8.0	13	5.4	5.4	12	3.5	12
12	7.1	136	9.8	8.2	3.3	7.7	10	5.1	6.5	11	3.2	10
13	7.1	83	5.0	8.3	3.5	6.4	9.5	4.6	6.8	11	4.0	12
14	7.1	32	3.3	7.0	2.7	6.2	8.8	5.3	4.2	12	13	12
15	7.1	18	2.5	7.5	2.4	7.0	13	6.1	3.9	12	14	16
16	7.1	14	1.9	12	2.2	6.6	7.5	8.0	3.9	12	10	14
17	7.1	13	2.3	4.6	.23	25	7.3	8.0	3.9	11	8.0	12*
18	7.1	13	.32	5.3	2.2	13	7.1	8.0	3.9	11	9.9	12
19	7.1	12	.70	6.0	2.6	7.6	8.2	8.7	3.9	13	9.7	12
20	7.1	11	70	7.1	5.1	8.2	9.9	10	3.9	13	4.7	12
21	7.1	11	151	7.9	6.8	8.6	10	8.1	4.4	12	6.2	10
22	11	11	23	7.6	8.4	11	10	6.0	4.6	12	6.2	8.1
23	18	10	9.3	7.0	8.3	12	9.4	5.4	4.0	13	4.6	8.0
24	19	265	4.4	9.6	9.3	11	9.8	5.4	3.0	12	3.5	8.2
25	19	49	3.2	8.7	9.1	11	5.9	5.3	9.9	9.9	2.6	8.8
26	19	17	3.7	7.6	6.0	9.3	4.4	4.6	9.9	7.4	2.6	8.7
27	19	10	3.3	126	8.2	8.7	4.4	4.6	9.9	5.4	2.7	6.4
28	19	6.6	3.3	20	8.0	8.8	4.4	4.6	9.9	5.4	2.8	23
29	19	7.1	5.3	7.7	-----	8.0	4.1	4.0	9.9	5.4	3.5	24
30	19	7.8	7.1	8.1	-----	5.6	4.4	5.6	9.9	5.4	3.8	5.6
31	21	-----	6.4	7.2	-----	4.9	-----	8.0	-----	5.9	7.6	-----
Total	327.7	785.6	472.42	324.9	132.32	298.4	253.5	184.7	184.1	328.8	184.6	335.7
Mean	10.6	26.2	15.2	10.5	4.73	9.63	8.45	5.96	6.14	10.6	5.95	11.2
Max	21	265	151	126	23	25	14	10	9.9	13	14	24
Min	6.2	4.2	.32	2.3	.64	4.9	4.1	4.0	3.0	5.4	2.6	5.6
Acre-Ft	644	1560	939	644	262	594	501	368	368	660	364	665
Wtr Year 2002	Total	3812.74	Mean	10.4	Max	265	Min	.32	Acre-Ft	7570		
Cal Year 2001	Total	4981.02	Mean	13.6	Max	265	Min	.32	Acre-Ft	9910		

RUNOFF - DAILY DISCHARGE

Los Angeles County Dept of Public Works

USDAY V30 Output 04/30/2003

Summary Report

Station: F304 Walnut Creek At Puente Avenue
 USGS #:
 Beginning Date: 10/01/2001
 Ending Date: 09/30/2002

Daily Mean Discharge in Cubic feet/second Water Year Oct 2001 to Sep 2002

Day	OCT	NOV	DEC	JAN	FEB	MAR	APR	MAY	JUN	JUL	AUG	SEP
1	0	.01	0	9.9	.08	.08	.09	.14	1.1	.23	.73	3.3
2	0	0	0	8.9	.04	.05	.12	.10	1.0	.23	.41	3.2
3	0	0	.31	7.6	.04	.05	.19	.11	1.1	.17	.43	2.9
4	0	0	0	5.9	.04	.06	.18	.15	1.1	.18	.39	2.8
5	0	0	0	5.0	.07	.09	.15	.10	1.4	.20	.52	2.6
6	0	0	0	3.6	.12	.17	.16	.11	1.2	.20	4.1	2.6
7	0	0	0	2.7	.06	1.0	.13	.15	1.3	.27	5.6	2.6
8	0	0	0	2.1	.06	.33	.40	.08	1.3	.29	5.6	2.6
9	0	0	0	1.4	.12	.38	.61	.04	1.3	.26	5.6	2.6
10	0	0	0	.99	.06	.47	.70	.05	1.4	.30	5.6	2.6
11	0	.01	0	.72	.15	.61	.14	.09	1.2	.34	5.6	2.6
12	0	14	0	.39	.21	.10	.23	.07	.81	.46	5.6	2.6
13	0	0	0	.15	.64	.09	.38	.16	.80	.44	5.6	2.6
14	0	0	23	.09	.67	.29	.30	.02	.99	.55	11	2.6
15	0	0	0	.04	.08	.07	.77	.02	1.1	.43	9.4	2.6
16	0	0	0	.02	.20	.08	.26	.03	1.2	.54	8.0	3.8
17	0	0	0	.01	.31	.27	.27	.03	1.4	.70	7.0	4.0
18	0	0	0	0	.05	2.7	.25	.03	1.3	.41	6.1	1.6
19	0	0	0	0	.05	.09	.23	.03	1.8	.48	5.6	.48
20	0	0	43	0	.05	.07	.21	15	2.0	.35	5.2	.20
21	0	0	76	0	.07	.08	.25	.04	1.3	.34	4.7	.19
22	0	0	0	0	.05	.07	.20	.03	.22	.42	4.5	.21
23	0	0	0	0	.05	.46	.32	.04	.23	.38	4.0	.21
24	0	320	0	0	.05	.05	3.6	.03	.19	.35	4.0	.25
25	0	0	0	.24	.05	.12	.15	.05	.45	.33	4.0	.44
26	0	0	0	.73	.05	.06	.16	.06	.78	.38	4.0	.32
27	0	0	0	105	.04	.06	.20	.06	.15	.43	4.0	.26
28	0	0	0	36	.04	.09	.15	.39	.28	.42	3.6	.35
29	0	.10	.97	.53	-----	.12	.17	.89	.18	.43	3.3	.29
30	0	0	0	0	-----	.20	.21	1.0	.23	.64	3.3	.29
31	0	-----	0	0	-----	.09	-----	.97	-----	.49	3.3	-----
Total	0	334.12	143.28	192.01	34.19	35.18	11.18	20.07	28.81	11.64	140.78	53.69
Mean	0	11.1	4.62	6.19	1.22	1.13	.37	.65	.96	.38	4.54	1.79
Max	0	320	76	105	31	27	3.6	15	2.0	.70	11	4.0
Min	0	0	0	0	.04	.05	.09	.02	.15	.17	.39	.19
Acre-Ft	0	664	285	382	67	69	22	40	57	23	279	107
Wtr Year 2002	Total	1004.95	Mean	2.75	Max	320	Min	0	Acre-Ft	2000		
Cal Year 2001	Total	4456.77	Mean	12.2	Max	620	Min	0	Acre-Ft	8840		

RUNOFF - DAILY DISCHARGE

Los Angeles County Dept of Public Works

USDAY V30 Output 04/30/2003

Summary Report

Station: F40 Puddingstone Creek Below Dam
 USGS #:
 Beginning Date: 10/01/2001
 Ending Date: 09/30/2002

Daily Mean Discharge in Cubic feet/second Water Year Oct 2001 to Sep 2002

Day	OCT	NOV	DEC	JAN	FEB	MAR	APR	MAY	JUN	JUL	AUG	SEP
1	.93	.80	.71	.93	.68	.57	.47	.56	.80	.80	.83	.75
2	.93	.80	.71	.93	.68	.57	.47	.57	.78	.80	.80	.69
3	.93	.80	.79	.93	.68	.57	.48	.57	.80	.80	.80	.68
4	.93	.80	.69	.16	.68	.52	.47	.57	.74	.80	.79	.68
5	.93	.80	.72	.20	.65	.47	.49	.65	.68	.80	.76	.73
6	1.0	.80	.68	.20	.60	.47	.47	.57	.68	.96	.75	.73
7	.93	.80	.68	5.4	.57	.47	.51	.58	.71	1.1	.77	.73
8	.93	.80	.68	.76	.57	.47	.54	.57	.68	1.1	.80	.72
9	.93	.80	.73	.80	.62	.47	.57	.57	.68	1.1	.80	.68
10	.95	.80	.75	.90	.68	.47	.60	.50	.71	1.0	.83	.68
11	.86	.80	.79	.93	.68	.45	.61	.59	.73	.87	.76	.68
12	.81	.83	.80	.93	.64	.44	.54	.63	.76	.87	.75	.69
13	.86	.80	.80	.93	.68	.47	.62	.57	.79	.87	.76	.69
14	.89	.86	.85	.93	.68	.47	.68	.64	.80	.80	.74	.72
15	.82	.93	.87	.93	.68	.47	.60	.70	.80	.80	.78	.73
16	.80	.93	.80	.93	.68	.56	.57	.69	.80	.80	.81	.68
17	.80	.82	.72	.93	.72	.50	.57	.74	.80	.80	.80	.68
18	.80	.82	.80	.93	.68	.51	.57	.74	.80	.79	.79	.68
19	.81	.81	.86	.93	.68	.56	.68	.80	.80	.80	.77	.68
20	.82	.83	1.1	.93	.62	.53	.68	.75	.80	.80	.78	.71
21	.85	.93	.69	.93	.52	.56	.68	.71	.80	.80	.77	.74
22	.75	1.0	.72	.93	.56	.54	.68	.70	.80	.80	.80	.71
23	.68	1.0	.80	.77	.58	.57	.68	.68	.81	.80	.78	.68
24	.68	1.4	.80	.68	.57	.57	.68	.71	.80	.79	.80	.68
25	.84	.87	.80	.68	.56	.56	.60	.80	.80	.77	.76	.68
26	.67	.76	.80	.68	.51	.57	.58	.80	.80	.81	.75	.68
27	.60	.71	.76	.82	.51	.52	.65	.80	.80	.77	.74	.70
28	.60	.80	.74	.66	.57	.47	.68	.80	.80	.79	.71	.76
29	.66	.82	.83	.68	-----	.47	.58	.80	.80	.80	.74	.68
30	.65	.80	.85	.68	-----	.47	.56	.80	.80	.83	.74	.68
31	.73	-----	.93	.68	-----	.47	-----	.80	-----	.84	.75	-----
Total	25.37	25.52	24.25	84.14	17.53	15.78	17.56	20.96	23.15	26.26	24.01	21.00
Mean	.82	.85	.78	2.71	.63	.51	.59	.68	.77	.85	.77	.70
Max	1.0	1.4	1.1	.20	.72	.57	.68	.80	.81	1.1	.83	.76
Min	.60	.71	.68	.66	.51	.44	.47	.50	.68	.77	.71	.68
Acre-Ft	50	51	48	166	34	31	34	42	46	53	48	41
Wtr Year 2002	Total	325.53	Mean	.89	Max	20	Min	.44	Acre-Ft	643		
Cal Year 2001	Total	1138.09	Mean	3.12	Max	202	Min	.21	Acre-Ft	2250		

APPENDIX D

HYDROLOGIC REPORT 2001 – 2002

RUNOFF – STREAM GAGING STATION PEAK FLOW

RUNOFF – STREAM GAGING STATION PEAK FLOW

ALHAMBRA WASH *above* Klingerman Street
STATION NO. F81D-R

Season	Daily CFS			Total Runoff (Acre-feet)	Peak Inflow	
	Maximum	Minimum	Mean		Date	CFS
1929-30	N.D.	0.0	N.D.	635.0	Mar 14	1,870
1930-31	226.0	0.0	2.1	1,480	Feb 03	1,530
1931-32	220.0	0.0	2.7	1,940	Jan 31	1,120
1932-33	418.0	0.0	2.3	1,680	Jan 19	1,850
1933-34	1,770.0	0.0	8.0	5,820	Jan 01	4,890
1934-35	219.0	0.0	3.3	2,380	Jan 05	2,280
1935-36	144.0	0.0	2.0	1,420	Feb 12	1,700
1936-37	309.0	0.0	5.4	3,880	Mar 15	2,470
1937-38	997.0	0.0	7.6	5,520	Mar 02	5,010
1938-39	288.0	0.0	4.1	2,990	Jan 05	2,480
1939-40	130.0	0.0	2.4	1,730	Feb 01	1,280
1940-41	219.0	0.0	7.8	5,650	Mar 03	2,080
1941-42	193.0	0.0	2.5	1,810	Dec 10	2,320
1942-43	893.0	0.0	8.4	6,070	Mar 04	4,480
1943-44	454.0	+	5.6	4,100	Feb 22	1,860
1944-45	199.0	0.1	3.1	2,250	Nov 11	2,220
1945-46	342.0	0.1	4.1	3,000	Dec 22	1,600
1946-47	345.0	0.1	5.2	3,800	Nov 13	3,810
1947-48	155.0	0.1	2.8	2,040	Mar 24	2,670
1948-49	95.0	0.2	2.8	2,020	Dec 17	758
1949-50	254.0	0.2	4.3	3,090	Feb 06	1,630
1950-51	106.0	0.2	3.3	2,360	Jan 11	1,620
1951-52	594.0	0.2	12.5	9,040	Jan 16	3,810
1952-53	228.0	0.1	4.5	3,240	Nov 15	3,140
1953-54	369.0	0.2	5.2	3,770	Feb 13	2,410
1954-55	185.0	0.2	4.2	3,020	Jan 18	1,890
1955-56	1,100.0	0.3	7.6	5,520	Jan 26	4,550
1956-57	242.0	0.6	6.1	4,440	Feb 23	3,090
1957-58	544.0	0.3	12.8	9,270	Feb 19	4,830
1958-59	279.0	0.2	4.2	3,020	Jan 06	3,170
1959-60	200.0	0.1	3.8	2,720	Jan 11	1,710
1960-61	153.0	0.3	2.5	1,790	Nov 05	1,480

M Data Missing
 * Record incomplete
 E Estimate
 N.D. Not determined
 ** Record not Computed
 + Less than 0.05 Acre Feet or less than 0.05 CFS, but greater than 0

RUNOFF – STREAM GAGING STATION PEAK FLOW

ALHAMBRA WASH *above* Klingerman Street
STATION NO. F81D-R

Season	Daily CFS			Total Runoff (Acre-feet)	Peak Inflow	
	Maximum	Minimum	Mean		Date	CFS
1961-62	382.0	0.1	9.1	6,270	Feb 12	2,560
1962-63	359.0	0.1	4.0	2,880	Mar 16	2,210
1963-64	196.0	0.2	4.0	2,870	Jan 21	2,210
1964-65	339.0	0.1	6.4	4,610	Apr 09	3,730
1965-66	686.0	0.3	10.7	7,740	Nov 24	3,520
1966-67	662.0	0.4	12.2	8,820	Jan 22	3,550
1967-68	398.0	0.4	6.5	4,740	Mar 08	3,480
1968-69	999.0	0.4	17.0	12,300	Feb 06	3,980
1969-70	486.0	0.3	5.3	1,871	Feb 28	3,430
1970-71	648.0	0.4	7.1	2,601	Nov 29	4,040
1971-72	449.0	0.3	2.5	3,000	Dec 24	2,000
1972-73	555.0	0.3	12.6	9,110	Feb 11	4,450
1973-74	813.0	0.3	7.9	5,720	Jan 07	4,330
1974-75	429.0	0.3	5.6	4,070	Dec 04	6,000
1975-76	274.0	0.3	5.3	3,790	Feb 05	1,820
1976-77	252.0	0.3	6.0	4,340	Oct 22	1,770
1977-78	695.0	0.3	17.0	11,927	Mar 01	5,950
1978-79	836.0	0.3	10.5	7,614	Mar 27	4,484
1979-80	1,240.0	0.3	18.4	13,051	Feb 16	6,660
1980-81	196.0	0.1	5.1	3,720	Mar 19	2,750
1981-82	371.0	0.2	6.0	4,317	Mar 17	2,410
1982-83	1,050.0	0.1	17.8	12,941	Mar 01	7,010
1983-84	235.0	0.4	3.7	2,715	Dec 25	2,480
1984-85	260.0	0.3	4.9	3,543	Dec 19	3,050
1985-86	329.0	0.3	9.2	6,633	Mar 08	4,130
1986-87	177.0	0.6	3.6	2,579	Oct 02	5,670
1987-88	386.0	0.6	7.0	5,048	Dec 04	4,500
1988-89	226.0	0.9	5.2	3,570	Dec 21	1,410
1989-90	530.0	0.9	4.8	3,483	Feb 17	2,010
1990-91	452.0	0.6	7.6	5,437	Mar 01	2,700
1991-92	570.0	0.7	13.8	10,008	Feb 12	6,340
1992-93	796.0	1.0	20.5	14,810	Dec 07	5,880

M Data Missing
 * Record incomplete
 E Estimate
 N.D. Not determined
 ** Record not Computed
 + Less than 0.05 Acre Feet or less than 0.05 CFS, but greater than 0

RUNOFF – STREAM GAGING STATION PEAK FLOW

ALHAMBRA WASH *above* Klingerman Street
STATION NO. F81D-R

Season	Daily CFS			Total Runoff (Acre-feet)	Peak Inflow	
	Maximum	Minimum	Mean		Date	CFS
1993-94	260.0	0.5	7.1	5,157	Mar 24	3,000
1994-95	875.0	0.2	14.3	10,380	Mar 10	8,080
1995-96	462.0	0.4	7.0	5,071	Jan 31	8,110
1996-97	279.0	0.3	8.7	6,260	Jan 15	2,640
1997-98	727.0	0.6	20.2	14,660	Feb 06	7,770
1998-99	142.0	0.3	6.1	4,400	Nov 28	3,500
1999-00	306.0	0.4	8.5	6,170	Feb 21	4,480
2000-01	404.0	0.6	10.2	7,380	Jan 11	3,220
2001-02	325.6	0.8	7.5	5,457.4	Nov 24	6,153

M	Data Missing
*	Record incomplete
E	Estimate
N.D.	Not determined
**	Record not Computed
+	Less than 0.05 Acre Feet or less than 0.05 CFS, but greater than 0

RUNOFF – STREAM GAGING STATION PEAK FLOW

ARCADIA WASH *below* Grand Avenue
STATION NO. F317-R

Season	Daily CFS			Total Runoff (Acre-feet)	Peak Inflow	
	Maximum	Minimum	Mean		Date	CFS
1956-57	108.0	0.1	1.8	1,340	Feb 23	1,184
1957-58	212.0	0.1	4.6	3,330	Feb 01	1,932
1958-59	127.0	0.2	1.9	1,360	Jan 06	1,270
1959-60	101.0	0.3	1.7	1,220	Apr 27	593
1960-61	69.0	+	1.1	831.0	Nov 05	570
1961-62	408.0	0.1	4.7	3,400	Feb 11	1,480
1962-63	153.0	0.2	2.1	1,510	Feb 09	600
1963-64	120.0	0.1	2.2	1,620	Nov 20	1,340
1964-65	153.0	0.1	3.1	2,270	Apr 09	1,460
1965-66	267.0	0.1	4.7	3,430	Dec 29	1,270
1966-67	283.0	0.3	6.3	4,560	Jan 22	1,260
1967-68	M	M	M	M		M
1968-69	M	M	M	M		M
1969-70	M	M	M	M		M
1970-71	M	M	M	M		M
1971-72	M	M	M	M		M
1972-73	M	M	M	M		M
1973-74	279.0	0.3	4.0	2,910	Jan 07	931
1974-75	207.0	0.3	3.2	2,290	Dec 04	2,560
1975-76	167.0	0.3	3.6	2,600	Sep 11	1,400
1976-77	119.0	0.2	2.9	2,121	Oct 23	1,320
1977-78	355.0	0.2	9.4	6,823	Feb 10	4,110
1978-79	128.0	0.2	4.5	3,263	Mar 27	1,290
1979-80	633.0	0.0	9.9	7,025	Jan 29	3,280
1980-81	104.0	0.4	2.8	1,991	Jan 29	1,050
1981-82	208.0	0.4	4.3	3,137	Mar 17	2,470
1982-83	435.0	0.4	10.8	7,824	Mar 01	4,110
1983-84	121.0	0.0	3.2	2,354	Oct 01	1,430
1984-85	137.0	0.1	4.7	3,399	Dec 19	1,420
1985-86	211.0	0.0	8.4	6,116	Mar 08	1,760
1986-87	172.0	0.1	3.5	2,530	Oct 02	2,410
1987-88	284.0	0.1	5.4	3,915	Jan 17	4,360

M	Data Missing
*	Record incomplete
E	Estimate
N.D.	Not determined
**	Record not Computed
+	Less than 0.05 Acre Feet or less than 0.05 CFS, but greater than 0

RUNOFF – STREAM GAGING STATION PEAK FLOW

ARCADIA WASH *below* Grand Avenue
STATION NO. F317-R

Season	Daily CFS			Total Runoff (Acre-feet)	Peak Inflow	
	Maximum	Minimum	Mean		Date	CFS
1988-89	114.0	0.1	3.7	2,521	Dec 21	507
1989-90	728.0	0.1	3.5	2,505	Apr 17	1,330
1990-91	228.0	0.1	5.0	3,598	Feb 28	2,120
1991-92	301.0	0.1	11.1	8,043	Feb 12	3,190
1992-93	586.0	0.3	17.3	12,560	Jan 17	2,720
1993-94	239.0	0.0	6.4	4,661	Mar 19	1,360
1994-95	480.0	0.1	11.1	8,032	Mar 11	2,740
1995-96	405.0	0.4	5.2	3,764	Feb 20	1,560
1996-97	206.0	0.5	6.3	4,540	Jan 26	1,430
1997-98	489.0	0.6	13.3	9,640	Feb 06	2,850
1998-99	151.0	0.5	4.2	3,020	Jan 26	1,040
1999-00	162.0	0.1	4.3	3,150	Feb 21	1,750
2000-01	240.0	0.2	6.0	4,320	Jan 11	1,380
2001-02	161.3	0.6	2.6	1,904.0	Nov 24	2,712

M	Data Missing
*	Record incomplete
E	Estimate
N.D.	Not determined
**	Record not Computed
+	Less than 0.05 Acre Feet or less than 0.05 CFS, but greater than 0

RUNOFF – STREAM GAGING STATION PEAK FLOW

ARROYO SECO *below* Devil's Gate Dam
STATION NO. F277-R

Season	Daily CFS			Total Runoff (Acre-feet)	Peak Inflow	
	Maximum	Minimum	Mean		Date	CFS
1942-43	3,190.0	0.0	33.4	23,895.5	Jan 23	5,640
1943-44	965.0	0.0	12.4	8,316.1	Feb 20	1,540
1944-45	187.0	0.1	3.7	2,559.5	Mar 15	610
1945-46	272.0	0.0	2.2	1,598.5	Dec 23	445
1946-47	410.0	0.0	5.7	4,147.7	Dec 27	610
1947-48	1.6	0.0	0.1	51.8		2
1948-49	1.3	0.0	0.0	17.7	Jun 13	2
1949-50	21.0	0.0	0.1	70.0	Nov 10	106
1950-51	0.3	0.0	0.0	1.4	Sep 04	26
1951-52	788.0	0.0	15.5	11,462.3	Jan 18	999
1952-53	11.8	0.0	0.1	77.0	Jan 11	25
1953-54	70.0	0.0	0.9	622.4	Jan 25	127
1954-55	1.7	0.0	0.3	195.4	Apr 30	14
1955-56	327.0	0.0	2.0	1,472.9	Jan 27	411
1956-57	5.8	0.0	0.3	234.0	Oct 04	124
1957-58	351.0	0.0	10.9	7,647.9	Feb 04	546
1958-59	129.0	0.0	0.7	482.0	Feb 16	156
1959-60	1.6	0.0	0.4	261.0	Jan 11	7
1960-61	70.0	0.0	0.6	434.6	Nov 25	360
1961-62	544.0	0.0	7.4	5,003.7	Feb 11	891
1962-63	12.0	0.0	0.5	371.6	Jun 21	51
1963-64	41.0	0.0	0.4	307.7	Jun 26	214
1964-65	28.0	0.0	0.4	312.7	Jul 12	128
1965-66	1,683.0	0.0	18.5	13,337.3	Nov 23	2,110
1966-67	858.0	0.0	9.4	6,902.7	Dec 06	1,620
1967-68	N.D.					
1968-69	N.D.					
1969-70	N.D.					
1970-71	N.D.					
1971-72	N.D.					
1972-73	N.D.					
1973-74	N.D.					

M Data Missing
 * Record incomplete
 E Estimate
 N.D. Not determined
 ** Record not Computed
 + Less than 0.05 Acre Feet or less than 0.05 CFS, but greater than 0

RUNOFF – STREAM GAGING STATION PEAK FLOW

ARROYO SECO *below* Devil's Gate Dam
STATION NO. F277-R

Season	Daily CFS			Total Runoff (Acre-feet)	Peak Inflow	
	Maximum	Minimum	Mean		Date	CFS
1974-75	48.0	0.0	0.9	688.7	Apr 01	1,225
1975-76	281.0	0.0	1.8	1,289.1	Sep 11	1,040
1976-77	175.0	0.0	2.9	2,093.6	May 09	450
1977-78	1,670.0	0.0	43.9	31,799.4	Mar 04	5,790
1978-79	177.0	0.0	6.5	4,692.3	Feb 21	321
1979-80	3,156.0	0.0	41.1	28,630.2	Feb 17	4,844
1980-81	84.0	0.0	3.1	2,266.3	Mar 24	314
1981-82	934.0	0.0	9.1	6,619.8	Mar 18	1,276
1982-83	2,700.0	0.1	37.4	27,062.5	Mar 02	3,260
1983-84	100.0	0.0	1.5	1,074.6	Dec 01	526
1984-85	250.0	0.0	2.4	1,754.4	Dec 21	873
1985-86	109.0	0.0	4.0	2,876.8	Mar 15	349
1986-87	N.D.					
1987-88	124.0	0.0	0.0	0.0		
1988-89	52.3	0.0	1.5	1,042.1	Feb 09	52
1989-90	11.8	0.0	72.4	284.8		
1990-91	572.0	0.0	7.0	506.4		
1991-92	3,530.0	0.0	44.6	32,380.2	Feb 11	5,970
1992-93	403M	1.3M	8.8M	3210.05M		M
1993-94	84.4	0.1	2.5	1,842.1	Mar 23	1,330
1994-95	505.0	0.0	33.9	24,565.9	Feb 13	691
1995-96	408.0	0.0	4.7	3,443.1	Feb 21	477
1996-97	77.0	0.0	2.3	1,678.9	Jan 15	362
1997-98	164.0	0.0	14.0	10116.63E		N.D.
1998-99	16E	0.0	0.6	455.25E		N.D.
1999-00	325E	0.0	4.3	3090E		N.D.
2000-01	620E	0.0	16.2	11760E		N.D.
2001-02	N.D.	N.D.	N.D.	N.D.	N.D.	N.D.

M	Data Missing
*	Record incomplete
E	Estimate
N.D.	Not determined
**	Record not Computed
+	Less than 0.05 Acre Feet or less than 0.05 CFS, but greater than 0

RUNOFF – STREAM GAGING STATION PEAK FLOW

AZUSA CONDUIT (sandbox 10ft weir)
 STATION NO. F220B-R

Season	Daily CFS			Total Runoff (Acre-feet)	Peak Inflow	
	Maximum	Minimum	Mean		Date	CFS
1932-33	92.4	0.0	27.5	17,043.0		
1933-34	86.0	0.0	27.3	19,770.0		
1934-35	94.0	6.2	64.3	46,570.0		
1935-36	86.0	9.1	40.7	29,500.0		
1936-37	93.0	+	29.0	21,030.0		
1937-38	94.0	+	16.4	11,910.0		
1938-39	0.0	0.0	0.0	0.0		
1939-40	90.0	+	32.7	23,760.0		
1940-41	89.0	+	23.2	16,820.0		
1941-42	91.0	+	53.0	38,360.0		
1942-43	94.0	0.1	36.6	26,510.0		
1943-44	94.0	+	56.9	41,310.0		
1944-45	96.0	+	59.2	42,910.0		
1945-46	92.0	+	55.0	39,820.0		
1946-47	92.0	0.1	64.7	46,900.0		
1947-48	60.0	+	34.4	24,960.0		
1948-49	70.0	0.1	24.0	17,380.0		
1949-50	82.0	19.0	37.5	27,140.0		
1950-51	70.0	0.0	11.5	8,310.0		
1951-52	91.0	0.0	65.2	47,300.0		
1952-53	89.0	+	43.7	31,680.0		
1953-54	89.0	+	38.8	28,090.0		
1954-55	85.0	30.0	50.6	36,600.0		
1955-56	86.0	14.8	49.0	35,580.0		
1956-57	86.0	0.0	36.8	26,670.0		
1957-58	87.0	0.0	27.8	20,140.0		
1958-59	89.0	12.4	49.4	35,730.0		
1959-60	50.0	5.3	24.6	17,850.0		
1960-61	45.0	0.0	12.2	8,820.0		
1961-62	86.0	0.0	57.4	41,570.0		
1962-63	83.0	0.0	33.0	23,930.0		
1963-64	48.0	8.0	31.0	22,490.0		

M Data Missing
 * Record incomplete
 E Estimate
 N.D. Not determined
 ** Record not Computed
 + Less than 0.05 Acre Feet or less than 0.05 CFS, but greater than 0

RUNOFF – STREAM GAGING STATION PEAK FLOW

AZUSA CONDUIT (sandbox 10ft weir)
 STATION NO. F220B-R

Season	Daily CFS			Total Runoff (Acre-feet)	Peak Inflow	
	Maximum	Minimum	Mean		Date	CFS
1964-65D	81.0	0.1	35.8	25,900.0		
1965-66D	83.0	0.0	35.7	25,840.0		
1966-67B	84.0	0.0	41.8	30,250.0		
1967-68	82.0	+	50.3	36,480.0		
1968-69	54.0	0.0	1.1	777.0		
1969-70	61.0	0.0	5.4	3,920.0		
1970-71	75.0	0.0	42.4	30,710.0		
1971-72	70.0	0.0	25.6	18,590.0		
1972-73	76.0	0.0	19.0	13,656.4		
1973-74	82.0	0.0	62.2	44,943.1		
1974-75	78.0	0.0	54.4	39,380.8		
1975-76	76.9	0.9	46.1	33,590.5		
1976-77	70.7	1.1	40.7	29,491.0		
1977-78	N.D.					
1978-79	N.D.					
1979-80	N.D.					
1980-81	N.D.					
1981-82	N.D.					
1982-83*	*	*	*	*		
1983-84	N.D.					
1984-85	N.D.					
1985-86	N.D.					
1986-87	N.D.					
1987-88	N.D.					
1988-89	845.0	0.0	47.0	34,048.7	Dec 06	86
1989-90	N.D.					
1990-91	N.D.					
1991-92	N.D.					
1992-93*	84*	12.9*	63.1*	14650*		
1993-94	N.D.					
1994-95	N.D.					
1995-96	N.D.					

M Data Missing
 * Record incomplete
 E Estimate
 N.D. Not determined
 ** Record not Computed
 + Less than 0.05 Acre Feet or less than 0.05 CFS, but greater than 0

RUNOFF – STREAM GAGING STATION PEAK FLOW

AZUSA CONDUIT (sandbox 10ft weir)
 STATION NO. F220B-R

Season	Daily CFS			Total Runoff (Acre-feet)	Peak Inflow	
	Maximum	Minimum	Mean		Date	CFS
1996-97	N.D.					
1997-98	79.0	0.0	46.8	33,850.0	Jul 26	91
1998-99	74.0	0.0	64.2	46,450.0	Nov 27	85
1999-00	72.0	0.0	38.0	27,600.0	Jul 03	77
2000-01	73.0	0.0	44.5	32,200.0	Jul 14	76
2001-02	53.7	0.1	18.1	13,131.4	Nov 19	55

M	Data Missing
*	Record incomplete
E	Estimate
N.D.	Not determined
**	Record not Computed
+	Less than 0.05 Acre Feet or less than 0.05 CFS, but greater than 0

RUNOFF – STREAM GAGING STATION PEAK FLOW

AZUSA CONDUIT (Sandbox 20' weir)
 STATION NO. F250-R

Season	Daily CFS			Total Runoff (Acre-feet)	Peak Inflow	
	Maximum	Minimum	Mean		Date	CFS
1934-35	116.0*	26.1*	81.0	36,610*		
1935-36	109.0	0.0	42.1	30,540		
1936-37	94.0	0.0	27.3	19,740		
1937-38	104.0	0.0	15.4	11,160		
1938-39	103.0	0.0	5.9	4,280		
1939-40	94.0	0.0	47.4	34,440		
1940-41	110.0	0.0	23.8	17,220		
1941-42	92.0	0.0	23.8	39,940		
1942-43	106.0	0.0	44.6	32,250		
1943-44	97.0	0.0	59.3	43,050		
1944-45	142.0	0.0	81.5	59,050		
1945-46	139.0	0.0	66.3	47,930		
1946-47	138.0	0.0	73.2	52,990		
1947-48	60.0	0.0	36.9	26,830		
1948-49	70.0	0.0	25.0	18,120		
1949-50	82.0	20.0	37.4	27,060		
1950-51	70.0	0.0	11.9	8,610		
1951-52	96.0	0.0	65.3	47,400		
1952-53	89.0	0.0	43.7	31,660		
1953-54	90.0	0.0	38.8	28,070		
1954-55	84.0	30.0	50.6	36,610		
1955-56	86.0	14.7	49.0	35,580		
1956-57	86.0	0.0	36.7	26,670		
1957-58	103.0	0.0	29.7	21,500		
1958-59	90.0	12.3	49.2	35,620		
1959-60	50.0	5.1	24.6	17,840		
1960-61	45.0	0.0	12.2	8,830		
1961-62	86.0	0.0	57.1	41,330		
1962-63	82.0	0.1	33.9	24,550		
1963-64	48.0	8.0	31.0	22,490		
1964-65	81.0	0.1	35.8	25,900		
1965-66	83.0	0.0	35.7	25,840		
1966-67	100.0	0.0	52.7	38,130		

M Data Missing
 * Record incomplete
 E Estimate
 N.D. Not determined
 ** Record not Computed
 + Less than 0.05 Acre Feet or less than 0.05 CFS, but greater than 0

RUNOFF – STREAM GAGING STATION PEAK FLOW

AZUSA CONDUIT (Sandbox 20' weir)
 STATION NO. F250-R

Season	Daily CFS			Total Runoff (Acre-feet)	Peak Inflow	
	Maximum	Minimum	Mean		Date	CFS
1967-68	82.0	15.0	60.4	43,810		
1968-69	32.0	0.0	8.8	6,380		
1969-70	M	M	M	M		
1970-71	M	M	M	M		
1971-72	M	M	M	M		
1972-73	M	M	M	M		
1973-74	M	M	M	M		
1974-75	78.0	0.0	54.4	39,389	Oct 01	78
1975-76	76.9	0.9	45.9	33,347	Sep 30	145
1976-77	M	M	M	M		
1977-78	78.2	0.0	1.5	33,240		85
1978-79	105.0	49.1	72.2	52,249	Jul 02	106
1979-80	101.0	1.5	39.8	28,882	Jul 29	105
1980-81	99.3	0.0	53.7	38,894	Mar 16	105
1981-82	80.7	24.3	55.7	40,319		82
1982-83	84.6	34.1	2.3	50,283	Mar 04	98
1983-84	79.4	0.0	1.5	33,803	Feb 06	86
1984-85	*	*	*	*		N.D.
1985-86	80.7	0.0	56.0	40,696		
1986-87	44.9	0.0	29.2	21,124	Jan 08	47
1987-88	79.4	0.2	35.5	25,806	Sep 29	52
1988-89	85.2	0.0	46.6	33,739		
1989-90	34.8	0.0	21.9	15,863	Jul 16	35
1990-91	79.4	3.0	28.4	20,280	Sep 28	79
1991-92	82.6	0.0	52.0	37,764	Apr 29	101
1992-93	84.0	0.0	49.7	36,010	Feb 12	97
1993-94	82.2	0.0	58.5	42,340	Oct 25	89
1994-95	83.9	0.0	59.9	43,350	Feb 19	86
1995-96	76.6	0.0	55.4	40,190	Nov 06	90
1996-97	82.0	0.0	59.2	42,880	Jan 26	84
1997-98	83.0	0.0	51.3	37,140	Jul 04	109
1998-99	139.0	0.0	69.4	50,240	Nov 20	142
1999-00	73.0	0.0	38.0	27,610	Oct 01	76

M Data Missing
 * Record incomplete
 E Estimate
 N.D. Not determined
 ** Record not Computed
 + Less than 0.05 Acre Feet or less than 0.05 CFS, but greater than 0

RUNOFF – STREAM GAGING STATION PEAK FLOW

AZUSA CONDUIT (Sandbox 20' weir)
 STATION NO. F250-R

Season	Daily CFS			Total Runoff (Acre-feet)	Peak Inflow	
	Maximum	Minimum	Mean		Date	CFS
2000-01	87.0	0.0	46.5	33,640	Jul 06	90
2001-02	54.6	0.1	18.1	13,134.4	Nov 24	59

M	Data Missing
*	Record incomplete
E	Estimate
N.D.	Not determined
**	Record not Computed
+	Less than 0.05 Acre Feet or less than 0.05 CFS, but greater than 0

RUNOFF – STREAM GAGING STATION PEAK FLOW

**BALLONA CREEK *above* Sawtelle Blvd.
STATION NO. F38C-R**

Season	Daily CFS			Total Runoff (Acre-feet)	Peak Inflow	
	Maximum	Minimum	Mean		Date	CFS
1927-28	N.D.	0.0	N.D.	3,930	May 08	1,100
1928-29	1,150.0	0.0	20.6	14,900	Mar 10	4,990
1929-30	1,130.0	0.0	18.6	13,480	Jan 11	4,460
1930-31	1,500.0	0.0	25.6	18,520	Apr 26	6,280
1931-32	1,780.0	0.0	30.0	21,790	Dec 28	6,130
1932-33	1,660.0	0.0	21.8	15,810	Jan 19	7,000
1933-34	4,310.0	0.0	28.5	20,630	Jan 01	11,300
1934-35	2,190.0	0.0	34.4	24,870	Apr 08	11,200
1935-36	929.0	0.0	19.3	13,500	Feb 12	8,070
1936-37	2,160.0	0.0	56.2	40,680	Dec 30	8,940
1937-38	7,330.0	3.6	72.5	52,500	Mar 02	19,000
1938-39	3,080.0	1.8	39.4	28,490	Dec 17	9,900
1939-40	1,270.0	1.3	29.1	21,110	Feb 03	9,730
1940-41	2,680.0	3.1	93.0	67,360	Dec 23	17,300
1941-42	990.0	2.8	23.8	17,250	Dec 10	7,500
1942-43	4,840.0	2.6	47.3	34,240	Jan 22	13,200
1943-44	3,010.0	3.4	45.4	33,000	Feb 22	8,800
1944-45	1,200.0	3.0	33.8	24,450	Nov 11	9,380
1945-46	1,830.0	3.8	25.4	18,380	Dec 22	7,750
1946-47	1,960.0	2.8	36.3	26,300	Dec 25	9,630
1947-48	1,000.0	3.5	18.8	13,630	Mar 24	12,700
1948-49	668.0	2.8	22.2	16,090	Feb 07	5,740
1949-50	1,620.0	1.4	32.1	23,250	Feb 06	7,670
1950-51	756.0	0.7	26.1	18,860	Jan 10	5,460
1951-52	2,520.0	3.5	73.5	53,350	Jan 16	12,800
1952-53	1,140.0	4.8	27.5	19,910	Nov 15	11,500
1953-54	3,570.0	5.4	39.3	28,480	Feb 13	18,900
1954-55	1,210.0	5.4	29.8	21,600	Jan 18	9,370
1955-56	6,510.0	5.2	44.7	34,590	Jan 26	18,700
1956-57	1,790.0	6.3	30.7	22,240	Feb 23	13,900
1957-58	3,000.0	6.3	59.4	43,040	Feb 19	15,200
1958-59	1,210.0	4.2	19.0	13,730	Jan 06	8,170

M	Data Missing
*	Record incomplete
E	Estimate
N.D.	Not determined
**	Record not Computed
+	Less than 0.05 Acre Feet or less than 0.05 CFS, but greater than 0

RUNOFF – STREAM GAGING STATION PEAK FLOW

**BALLONA CREEK *above* Sawtelle Blvd.
STATION NO. F38C-R**

Season	Daily CFS			Total Runoff (Acre-feet)	Peak Inflow	
	Maximum	Minimum	Mean		Date	CFS
1959-60	1,290.0	2.2	23.7	17,190	Jan 11	12,500
1960-61	945.0	4.2	17.3	12,560	Nov 05	7,700
1961-62	3,490.0	3.2	69.2	50,090	Feb 19	12,900
1962-63	1,940.0	3.2	29.6	21,450	Mar 16	12,100
1963-64	789.0	3.9	24.8	18,000	Jan 22	6,420
1964-65	1,590.0	3.9	38.0	27,540	Apr 09	17,600
1965-66	3,620.0	5.3	61.5	44,540	Nov 22	18,000
1966-67	3,020.0	6.7	62.1	45,300	Nov 07	13,900
1967-68	6,350.0	8.2	55.9	40,570	Nov 21	32,500
1968-69	4,840.0	8.2	101.0	73,060	Jan 25	17,000
1969-70	1,380.0	7.6	30.7	22,230	Feb 28	1,380
1970-71	3,170.0	8.8	50.8	35,620	Nov 29	14,600
1971-72	1,900.0	7.6	31.3	22,700	Dec 24	11,100
1972-73	2,590.0	8.8	65.9	47,730	Jan 16	17,600
1973-74	3,510.0	8.8	56.8	41,060	Jan 07	11,000
1974-75	2,490.0	6.2	47.8	34,590	Dec 04	20,560
1975-76	1,390.0	6.2	30.6	22,230	Sep 10	12,940
1976-77	1,760.0	4.6	38.6	27,930	Oct 23	10,173
1977-78	4,441.0	4.2	112.8	81,659	Feb 10	28,088
1978-79	2,220.0	6.6	60.3	43,680	Mar 27	9,710
1979-80	4,630.0	6.2	99.2	70,454	Feb 15	27,000
1980-81	1,090.0	6.6	27.8	20,111	Mar 02	7,300
1981-82	1,380.0	5.8	41.3	29,922	Apr 01	8,110
1982-83	5,690.0	8.2	119.0	86,347	Mar 01	23,100
1983-84	1,440.0	10.0	36.7	26,672		N.D.
1984-85	1,810.0	8.2	38.3	27,714	Feb 09	9,670
1985-86	2,750.0	8.8	67.7	49,043	Feb 14	17,200
1986-87	752.0	7.6	19.4	13,986		N.D.
1987-88	2,920.0	5.0	57.5	41,772	Dec 04	13,400
1988-89	941.0	7.6	1.3	27,763	Dec 17	3,580
1989-90	3,140.0	7.6	32.3	23,364	Feb 17	8,090
1990-91	2,150.0	3.0	37.5	27,133	Mar 19	10,800

M	Data Missing
*	Record incomplete
E	Estimate
N.D.	Not determined
**	Record not Computed
+	Less than 0.05 Acre Feet or less than 0.05 CFS, but greater than 0

RUNOFF – STREAM GAGING STATION PEAK FLOW

**BALLONA CREEK *above* Sawtelle Blvd.
STATION NO. F38C-R**

Season	Daily CFS			Total Runoff (Acre-feet)	Peak Inflow	
	Maximum	Minimum	Mean		Date	CFS
1991-92	2,490.0	7.0	62.3	45,191	Feb 12	17,200
1992-93	*	*	*	*		*
1993-94	1,450.0	9.7	38.9	28,150	Feb 07	14,400
1994-95	4,680.0	9.4	103.0	74,450	Mar 10	24,000
1995-96	2,930.0	12.0	53.4	38,740	Jan 31	8,230
1996-97	1,830.0	9.7	54.8	39,670	Dec 09	9,890
1997-98	3,040.0	8.3	111.0	80,630	Feb 06	22,900
1998-99	1,260.0	10.0	41.7	30,160	Jan 31	6,150
1999-00	1,690.0	7.8	61.2	44,450	Feb 21	12,500
2000-01	2,540.0	7.9	86.4	62,520	Jan 11	19,400
2001-02	1,128.1	9.8	36.9	26,697.9	Nov 24	12,167

M	Data Missing
*	Record incomplete
E	Estimate
N.D.	Not determined
**	Record not Computed
+	Less than 0.05 Acre Feet or less than 0.05 CFS, but greater than 0

RUNOFF – STREAM GAGING STATION PEAK FLOW

**BIG DALTON CREEK *below* Big Dalton Dam
STATION NO. F120B-R**

Season	Daily CFS			Total Runoff (Acre-feet)	Peak Inflow	
	Maximum	Minimum	Mean		Date	CFS
1939-40	1.3	0.0	0.3	206.5		
1940-41	66.0	0.0	4.0	2,888.7	Mar 05	67
1941-42	2.8	0.0	0.3	234.9		
1942-43	103.0	0.0	4.4	3,181.5	Mar 04	111
1943-44	35.0	0.0	1.7	1,159.5	Feb 23	56
1944-45	13.2	0.0	1.2	840.4	Mar 15	34
1945-46	5.0	0.0	0.8	549.1	Dec 23	34
1946-47	11.0	0.0	0.8	545.9	Oct 03	30
1947-48	2.6	0.0	0.0	15.3	Feb 05	20
1948-49	7.4	0.0	0.1	99.8	Dec 18	25
1949-50	8.7	0.0	0.2	122.0	Jan 21	11
1950-51	1.9	0.0	0.0	14.5	Jan 11	10
1951-52	33.0	0.0	2.2	1,607.4	Jan 19	34
1952-53	7.0	0.0	0.1	106.9	Jan 15	38
1953-54	8.6	0.0	0.5	363.0	Feb 15	9
1954-55	3.5	0.0	0.0	7.3	Oct 01	7
1955-56	25.0	0.0	0.3	222.1	Aug 08	37
1956-57	11.5	0.0	0.0	22.8	Nov 09	18
1957-58	28.0	0.0	3.0	2,144.7	Apr 05	37
1958-59	15.0	0.0	0.2	138.8	Apr 13	31
1959-60	1.7	0.0	0.0	10.1	Jul 21	5
1960-61	14.3	0.0	0.2	166.2	Nov 14	37
1961-62	25.0	0.0	1.4	1,001.7	Feb 17	25
1962-63	18.3	0.0	0.2	162.2	Oct 08	35
1963-64	18.0	0.0	0.4	295.9	Jan 22	2
1964-65	19.5	0.0	0.3	220.4	Apr 26	20
1965-66	32.0	0.0	2.8	1,996.6	Nov 22	52
1966-67	216.0	0.0	6.7	4,839.9	Dec 06	615
1967-68	N.D.					
1968-69	N.D.					
1969-70	N.D.					
1970-71	N.D.					

M Data Missing
 * Record incomplete
 E Estimate
 N.D. Not determined
 ** Record not Computed
 + Less than 0.05 Acre Feet or less than 0.05 CFS, but greater than 0

RUNOFF – STREAM GAGING STATION PEAK FLOW

**BIG DALTON CREEK *below* Big Dalton Dam
STATION NO. F120B-R**

Season	Daily CFS			Total Runoff (Acre-feet)	Peak Inflow	
	Maximum	Minimum	Mean		Date	CFS
1971-72	N.D.					
1972-73	N.D.					
1973-74	N.D.					
1974-75	11.1	0.0	0.4	295.5	May 06	125
1975-76	12.5	0.0	0.7	487.7	Jun 08	19
1976-77	0.8	0.0	0.0	21.4	Apr 12	2
1977-78	226.0	0.0	0.3	6,185.5	Mar 05	263
1978-79	16.5	0.0	0.1	1,735.3	Apr 12	1,735
1979-80	564.0	0.1	0.3	7,435.8	Feb 17	1,170
1980-81	4.8	0.0	0.5	361.2	Jan 29	22
1981-82	21.7	0.0	1.2	903.1	Mar 25	22
1982-83	268.0	0.1	7.6	5,466.2	Mar 01	457
1983-84	6.7	0.0	0.0	705.3	Dec 25	8
1984-85	7.9	0.0	0.8	585.1	Dec 19	11
1985-86	16.1	0.0	1.2	855.1	Mar 19	18
1986-87	5.1	0.0	0.2	214.2	Jan 27	7
1987-88	7.7	0.0	0.6	444.3	Sep 12	9
1988-89	10.3	0.0	0.5	363.6	Feb 15	17
1989-90	4.7	0.0	0.1	68.6	Jan 26	5
1990-91	10.9	0.0	0.6	454.8	Mar 28	11
1991-92	19.9	0.0	1.6	1,161.0	Feb 19	22
1992-93	311.0	0.0	9.9	7,136.0	Jan 16	415
1993-94	10.1	0.0	0.4	296.0	Apr 06	13
1994-95	99.1	0.0	5.7	3,814.0	Feb 23	146
1995-96	28.0	0.0	1.7	1,251.0	Feb 22	71
1996-97	18.0	0.0	1.5	1,100.0	Jan 27	19
1997-98	183.0	0.0	6.5	4,700.0	Feb 23	539
1998-99	459.0	0.0	2.7	1,970.0	Oct 14	1,300
1999-00	10.0	0.0	0.3	241.0	Mar 27	11
2000-01	10.0	0.0	0.4	320.0	Sep 27	20
2001-02	0.6	0.0	0.0	26.6	Dec 14	2

M	Data Missing
*	Record incomplete
E	Estimate
N.D.	Not determined
**	Record not Computed
+	Less than 0.05 Acre Feet or less than 0.05 CFS, but greater than 0

RUNOFF – STREAM GAGING STATION PEAK FLOW

BIG ROCK CREEK *upstream from* Pallet Creek
STATION NO. F394-R

Season	Daily CFS			Total Runoff (Acre-feet)	Peak Inflow	
	Maximum	Minimum	Mean		Date	CFS
1986-87	39.2	0.1	4.2	3,064.9	Mar 06	45
1987-88	82.7	0.0	8.8	6,422.3		
1988-89	12.6	2.0	4.7	3,547.0		
1989-90	3.5	0.3	2.0	1,323.0		
1990-91	26.6	0.0	4.1	4,003.0		
1991-92	94.7	1.2	24.6	17,879.8	Feb 11	93
1992-93*	151.0	8.5	55.9	28,728.8		
1993-94*	27.7	3.3	10.3	6,828.3		
1994-95*	4,500.0	2.6	57.3	36,513.1		
1995-96	1,510.0	2.1	15.6	11,296.9	Feb 21	6,020
1996-97*	204.0	0.7	7.2	5,186.5	Dec 09	2,750
1997-98	2,900.0	0.5	48.6	35,210.4	Feb 23	13,900
1998-99	18.0	1.0	4.4	3,189.6	Nov 28	57
1999-00*	330.0	0.5	3.9	2,853.9	Feb 20	3,450
2000-01	36.0	0.9	9.0	6,540.0	Jan 11	68
2001-02	0.5	0.1	0.3		Sep 04	1

M	Data Missing
*	Record incomplete
E	Estimate
N.D.	Not determined
**	Record not Computed
+	Less than 0.05 Acre Feet or less than 0.05 CFS, but greater than 0

RUNOFF – STREAM GAGING STATION PEAK FLOW

**BIG TUJUNGA CREEK *below* Big Tujunga Dam
STATION NO. F168-R**

Season	Daily CFS			Total Runoff (Acre-feet)	Peak Inflow	
	Maximum	Minimum	Mean		Date	CFS
1932-33	14.9	0.5	6.2	4,491.7	Jan 19	58
1933-34	15.4	0.2	5.9	4,295.0	Jan 01	44
1934-35	339.0	0.6	14.9	10,766.1	Apr 28	547
1935-36	44.0	0.2	7.5	5,469.0	Nov 18	101
1936-37	385.4	0.1	36.4	25,852.8	Feb 16	385
1937-38	107.0	0.0	13.1	9,605.0	Mar 02	33,000
1938-39	263.0	0.7	12.5	9,095.0	Dec 23	424
1939-40	285.0	0.2	10.0	7,202.4	Jan 08	747
1940-41	1,080.0	0.2	82.8	59,098.9	Feb 21	1,590
1941-42	47.0	0.0	10.6	7,722.0	Dec 31	47
1942-43	6,640.0	0.2	72.9	52,911.9	Jan 23	17,700
1943-44	2,300.0	0.3	57.9	41,721.7	Feb 22	3,310
1944-45	221.0	0.8	17.2	12,231.5	Nov 13	300
1945-46	491.0	0.0	17.0	12,404.0	Mar 30	983
1946-47	460.0	0.7	17.7	12,827.5		
1947-48	28.0	0.4	4.9	3,579.0	Jul 15	54
1948-49	4.5	0.1	2.3	1,648.5	Aug 31	5
1949-50	5.4	0.2	2.6	1,909.5	Jul 02	5
1950-51	12.0	0.2	1.7	1,236.7	Aug 22	15
1951-52	1,040.0	0.5	35.9	26,232.0	Jan 18	1,860
1952-53	51.0	0.1	6.5	4,725.8	Sep 22	86
1953-54	128.0	0.2	7.4	5,341.3	Mar 01	158
1954-55	15.5	0.1	3.2	2,287.3	Oct 03	18
1955-56	135.0	0.1	4.6	3,403.6	Jan 26	148
1956-57	8.6	0.0	2.3	1,650.0	May 22	43
1957-58	1,120.0	0.0	38.6	27,543.3	Apr 04	1,320
1958-59	116.0	0.2	4.5	3,184.9	Feb 16	124
1959-60	6.5	0.0	2.2	1,612.6	Jun 02	7
1960-61	4.6	0.0	1.0	697.2	Nov 08	11
1961-62	1,680.0	0.0	24.7	16,857.1	Feb 11	3,700
1962-63	7.5	0.0	1.8	1,301.8	Feb 09	13
1963-64	12.5	0.0	2.6	1,914.4	Aug 26	51

M Data Missing
 * Record incomplete
 E Estimate
 N.D. Not determined
 ** Record not Computed
 + Less than 0.05 Acre Feet or less than 0.05 CFS, but greater than 0

RUNOFF – STREAM GAGING STATION PEAK FLOW

**BIG TUJUNGA CREEK *below* Big Tujunga Dam
STATION NO. F168-R**

Season	Daily CFS			Total Runoff (Acre-feet)	Peak Inflow	
	Maximum	Minimum	Mean		Date	CFS
1964-65	7.8	0.0	2.1	1,495.3	May 10	12
1965-66	2,110.0	0.0	41.2	29,824.9	Nov 22	2,910
1966-67	699.0	9.2	41.8	30,358.0	Dec 06	1,550
1967-68	N.D.					
1968-69	N.D.					
1969-70	N.D.					
1970-71	N.D.					
1971-72	N.D.					
1972-73	N.D.					
1973-74	N.D.					
1974-75	N.D.					
1975-76	69.0	0.0	5.3	3,861.2	Sep 11	155
1976-77	184.0	0.0	4.4	3,547.6	May 10	184
1977-78	3,700.0	0.3	125.1	90,579.4	Feb 10	18,300
1978-79	526.0	0.0	41.4	29,978.2	Mar 28	564
1979-80	2,093.0	0.2	95.6	69,176.7	Feb 16	5,840
1980-81	335.0	0.0	16.7	12,069.2	May 04	500
1981-82	393.0	0.0	22.9	16,555.8	Mar 18	470
1982-83	7,171.0	0.0	136.0	98,612.6	Mar 01	9,900
1983-84	179.0	0.1	15.6	11,314.3	Dec 25	360
1984-85	145.0	0.2	9.6	6,952.3	Dec 19	253
1985-86	351.0	0.3	16.3	11,685.8	Jan 30	475
1986-87	16.4	0.1	3.9	2,779.8		
1987-88	175.0	0.1	8.7	6,284.0		
1988-89	115.0	0.0	6.1	4,079.8		
1989-90	60.2	0.0	2.0	1,380.1		
1990-91	603.0	0.0	16.7	12,160.1	Mar 01	603
1991-92	1,280.0	0.0	43.8	31,790.0	Feb 12	1,780
1992-93	2,040.0	0.0	122.0	88,460.0	Feb 19	3,620
1993-94	113.0	0.0	15.7	9,415.0	Feb 08	159
1994-95	475.0	0.2	47.7	34,530.0	Jan 10	475
1995-96	251.0	0.0	12.0	8,107.0	Feb 21	455

M Data Missing
 * Record incomplete
 E Estimate
 N.D. Not determined
 ** Record not Computed
 + Less than 0.05 Acre Feet or less than 0.05 CFS, but greater than 0

RUNOFF – STREAM GAGING STATION PEAK FLOW

**BIG TUJUNGA CREEK *below* Big Tujunga Dam
STATION NO. F168-R**

Season	Daily CFS			Total Runoff (Acre-feet)	Peak Inflow	
	Maximum	Minimum	Mean		Date	CFS
1996-97	168.0	0.0	11.1	8,030.0	Jan 27	188
1997-98	1,590.0	0.0	66.0	46,970.0		
1998-99	71.0	0.0	7.7	5,580.0	Jun 04	131
1999-00	123.0	0.0	7.4	5,390.0	Feb 21	171
2000-01	175.0	0.0	9.7	7,020.0		N.D.
2001-02	29.9	0.0	1.3	934.8	Oct 23	240

M	Data Missing
*	Record incomplete
E	Estimate
N.D.	Not determined
**	Record not Computed
+	Less than 0.05 Acre Feet or less than 0.05 CFS, but greater than 0

RUNOFF – STREAM GAGING STATION PEAK FLOW

**BOUQUET CANYON CREEK @ Urbandale Avenue
STATION NO. F377-R**

Season	Daily CFS			Total Runoff (Acre-feet)	Peak Inflow	
	Maximum	Minimum	Mean		Date	CFS
1967-68	66.0	0.0	1.1	823.0	Nov 19	713
1968-69	528.0	0.0	3.4	2,450	Feb 25	3,256
1969-70	11.0	0.0	0.1	11.0	Mar 01	20
1970-71	30.0	0.0	2.2	1,290	Dec 18	273
1971-72	36.0	0.0	0.7	499.0	Dec 27	101
1972-73	81.0	0.0	0.4	300.0	Feb 11	750
1973-74	8.8	0.0	+	33.0	Jan 07	20
1974-75	11.0	0.0	0.1	76.0	Mar 05	512
1975-76	NO RECORD					
1976-77	*	*	*	*	Aug 17	26*
1977-78	*	*	*	*	Mar 04	*
1978-79	*	*	*	*	Mar 28	*
1979-80	180.0	0.0	7.4	5,253		N.D.
1980-81	44.1	0.0	0.9	680.0	Jan 28	530
1981-82	*	*	*	*	Mar 17	*
1982-83	235.0	0.0	4.2	3,080	Mar 01	448
1983-84	18.9	0.0	0.3	188.0		N.D.
1984-85	43.8	0.0	0.3	228.0	Dec 19	45
1985-86	140.0	0.0	1.2	908.0	Mar 16	360
1986-87	7.7	0.0	+	43.0	Mar 05	10
1987-88	52.6	0.0	0.6	439.0		N.D.
1988-89	137.0	0.0	0.6	479.0	Dec 16	339
1989-90	2.8	0.0	0.1	30.0		N.D.
1990-91	0.3	0.0	0.1	9.0		N.D.
1991-92	72.3	0.0	0.9	662.0	Feb 12	712
1992-93	*	*	*	*		*
1993-94	28.7	0.0	0.8	474.0		N.D.
1994-95	301.0	0.0	2.9	2,098	Jan 10	578
1995-96	38.3	0.0	0.7	544.0	Jan 31	149
1996-97	21.0	0.0	0.5	339.0	Dec 09	79
1997-98	258.0	0.0	3.2	2,290	Feb 23	731
1998-99	6.5*	0.0*	0.1*	89E	Apr 12	67
1999-00	111.0*	0.0*	0.7*	513E	Feb 23	339

M Data Missing
 * Record incomplete
 E Estimate
 N.D. Not determined
 ** Record not Computed
 + Less than 0.05 Acre Feet or less than 0.05 CFS, but greater than 0

RUNOFF – STREAM GAGING STATION PEAK FLOW

**BOUQUET CANYON CREEK @ Urbandale Avenue
STATION NO. F377-R**

Season	Daily CFS			Total Runoff (Acre-feet)	Peak Inflow	
	Maximum	Minimum	Mean		Date	CFS
2000-01	0.2*	0.0*	+	20*	Oct 01	0
2001-02	*	*	*	*		

M	Data Missing
*	Record incomplete
E	Estimate
N.D.	Not determined
**	Record not Computed
+	Less than 0.05 Acre Feet or less than 0.05 CFS, but greater than 0

RUNOFF – STREAM GAGING STATION PEAK FLOW

**BRADBURY CHANNEL *below* Central Avenue
STATION NO. F329-R**

Season	Daily CFS			Total Runoff (Acre-feet)	Peak Inflow	
	Maximum	Minimum	Mean		Date	CFS
1957-58	7.3	0.0	0.2	170.0	Feb 19	65
1958-59	29.0	0.0	0.3	182.0	Jan 06	1,250
1959-60	5.2	0.0	0.1	59.0	Dec 24	40
1960-61	4.5	0.0	0.0	30.0	Nov 03	60
1961-62	50.0	0.0	0.7	518.0	Jan 20	316
1962-63	9.4	0.0	0.2	120.0	Feb 09	24
1963-64	5.6	0.0	0.2	114.0	Jan 22	168
1964-65	11.0	0.0	0.2	157.0	Apr 09	248
1965-66	46.0	0.0	0.6	448.0	Dec 29	552
1966-67	52.0	0.0	0.7	547.0	Jan 24	280
1967-68	30.0	0.0	0.4	319.0	Mar 08	370
1968-69	131.0	0.0	2.6	938.0	Feb 06	472
1969-70	47.0	0.0	0.6	408.0	Mar 01	267
1970-71	20.0	0.0	0.4	261.0	Dec 21	130
1971-72	24.0	0.0	0.2	172.0	Dec 24	145
1972-73	61.0	0.0	1.2	438.0	Feb 27	424
1973-74	39.0	0.0	0.8	609.0	Jan 07	111
1974-75	28.0	0.0	0.4	268.0	Dec 04	325
1975-76	14.0	+	0.4	326.0	Sep 11	210
1976-77	26.4	+	0.5	374.0	Oct 23	166
1977-78	75.6	+	2.7	1,670	Feb 10	357
1978-79	49.0	0.0	1.6	1,160	Jan 15	297
1979-80	155.0	0.0	8.3	5,984	Jan 28	574
1980-81	29.7	0.0	1.1	781.0	Jan 29	477
1981-82	41.2	0.0	1.2	870.0	Mar 17	305
1982-83	111.0	0.0	2.4	1,716	Sep 29	422
1983-84	21.7	0.0	0.7	549.0	Oct 01	230
1984-85	24.4	0.0	0.9	672.0		N.D.
1985-86	34.8	0.0	0.8	581.0	Jan 31	267
1986-87	5.7	0.0	0.5	361.0	Jan 04	174
1987-88	166.0	0.0	2.8	2,019	Dec 04	286
1988-89	25.3	0.0	1.1	758.0	Feb 04	119

M	Data Missing
*	Record incomplete
E	Estimate
N.D.	Not determined
**	Record not Computed
+	Less than 0.05 Acre Feet or less than 0.05 CFS, but greater than 0

RUNOFF – STREAM GAGING STATION PEAK FLOW

**BRADBURY CHANNEL *below* Central Avenue
STATION NO. F329-R**

Season	Daily CFS			Total Runoff (Acre-feet)	Peak Inflow	
	Maximum	Minimum	Mean		Date	CFS
1989-90	19.6	0.1	1.2	877.0	May 28	20
1990-91	44.6	0.0	1.8	1,267	Feb 27	391
1991-92	50.9	0.0	1.2	877.0	Feb 12	334
1992-93	83.6	0.0	3.2	2,310	Jan 14	534
1993-94	14.6	0.0	0.6	470.0	Mar 24	193
1994-95	82.7	0.0	2.3	1,652	Feb 14	170
1995-96	97.6	0.0	1.8	1,283	Feb 20	320
1996-97	28.0	+	1.0	708.0	Nov 21	168
1997-98	71.0	+	1.5	1,110	Feb 07	400
1998-99	16.0	+	0.5	351.0	Jan 26	170
1999-00	25.0	+	1.1	826.0	Feb 20	297
2000-01	36.0	+	1.4	1,000	Jan 11	195
2001-02	18.4	0.0	0.3	221.4	Nov 24	325

M	Data Missing
*	Record incomplete
E	Estimate
N.D.	Not determined
**	Record not Computed
+	Less than 0.05 Acre Feet or less than 0.05 CFS, but greater than 0

RUNOFF – STREAM GAGING STATION PEAK FLOW

BRANFORD STREET CHANNEL *below* Sharp Avenue
STATION NO. F342-R

Season	Daily CFS			Total Runoff (Acre-feet)	Peak Inflow	
	Maximum	Minimum	Mean		Date	CFS
1961-62	118.0	0.0	1.0*	743*	Feb 19	206
1962-63	46.0	0.0	0.6	415.0	Apr 26	284
1963-64	32.0	0.0	0.5	375.0	Mar 22	275
1964-65	56.0	0.0	0.8	571.0	Apr 09	261
1965-66	110.0	0.0	1.4	982.0	Dec 29	587
1966-67	79.0	0.0	1.2	870.0	Nov 07	445
1967-68	120.0	0.0	1.0	693.0	Nov 21	576
1968-69	160.0	0.0	3.0	2,190	Feb 25	738
1969-70	65.0	0.0	1.0	724.0	Feb 09	462
1970-71	175.0*	0.0	1.6*	1,162*	Nov 29	990*
1971-72	50.0	0.0	0.5	360.0	Dec 24	233
1972-73	50.0	0.0	2.1	1,530	Feb 11	771
1973-74	90.0	0.0	1.0	710.0	Jan 07	412
1974-75	75.0	+	0.9	668.0	Mar 06	882
1975-76	61.0	0.0	0.8	550.0	Sep 10	742
1976-77	66.9	0.0	0.9	633.0	May 09	490
1977-78	126.0	0.0	3.0	2,153	Feb 10	1,160
1978-79	80.0	0.0	1.5	1,052	Mar 27	823
1979-80	158.0	0.0	1.9	1,380	Feb 19	1,530
1980-81	45.6	0.0	0.6	471.0	Jan 29	683
1981-82	67.8	0.0	1.2	685.0	Mar 17	688
1982-83	230.0	0.0	2.9	2,134	Mar 01	1,520
1983-84	34.2	0.0	0.4	326.0	Dec 25	190
1984-85	53.3	0.0	0.6	423.0	Dec 18	800
1985-86	43.1	0.0	1.1	760.0	Jan 31	728
1986-87	20.7	0.0	0.2	144.0	Nov 17	386
1987-88	123.0	0.0	1.5	1,058	Oct 22	1,830
1988-89	30.2	0.0	0.7	478.0	Dec 20	242
1989-90	46.9	0.0	0.5	372.0	Jan 13	383
1990-91	64.6	0.0	1.0	726.0		N.D.
1991-92	238.0	0.0	2.8	2,001	Feb 10	1,450
1992-93	*	*	*	*		*

M	Data Missing
*	Record incomplete
E	Estimate
N.D.	Not determined
**	Record not Computed
+	Less than 0.05 Acre Feet or less than 0.05 CFS, but greater than 0

RUNOFF – STREAM GAGING STATION PEAK FLOW

**BRANFORD STREET CHANNEL *below* Sharp Avenue
STATION NO. F342-R**

Season	Daily CFS			Total Runoff (Acre-feet)	Peak Inflow	
	Maximum	Minimum	Mean		Date	CFS
1993-94	35.3*	0.0*	0.7*	464*		N.D.
1994-95	175.0*	0.0*	3.0*	2,076*	Mar 10	1,770
1995-96	68.4	0.0	0.9	652.0	Feb 21	574
1996-97	56.0	0.1	1.3	917.0	Dec 22	578
1997-98	124.0	0.1	3.4	2,470	Feb 07	1,240
1998-99	19.0	0.1	1.0	717.0	Oct 29	679
1999-00	63.0	0.1	1.6	1,130	Apr 18	670
2000-01	95.0	0.2	2.0	1,470	Jan 11	1,080
2001-02	38.6	0.2	0.7	520.2		

M	Data Missing
*	Record incomplete
E	Estimate
N.D.	Not determined
**	Record not Computed
+	Less than 0.05 Acre Feet or less than 0.05 CFS, but greater than 0

RUNOFF – STREAM GAGING STATION PEAK FLOW

BURBANK WESTERN STORM DRAIN @ Riverside Drive
STATION NO. E285-R

Season	Daily CFS			Total Runoff (Acre-feet)	Peak Inflow	
	Maximum	Minimum	Mean		Date	CFS
1950-51	50.0	1.2	4.0	2,870	Jan 11	920
1951-52	310.0	1.2	8.9	6,490	Jan 16	1,400
1952-53	89.0	0.0	4.7	3,400	Dec 20	1,380
1953-54	144.0	2.1	5.7	4,140	Mar 16	1,070
1954-55	123.0	1.2	5.6	4,020	Jan 18	849
1955-56	400.0	2.0	5.6	4,070	Jan 26	N.D.
1956-57	192.0	1.6	4.9	3,530	Feb 23	1,770
1957-58	232.0	1.9	8.2	5,950	Feb 19	1,270
1958-59	222.0	1.6	4.9	3,540	Feb 11	1,650
1959-60	112.0	1.7	4.5	3,280	Jan 10	854
1960-61	170.0	1.7	4.9	3,570	Nov 05	1,400
1961-62	583.0	1.7	10.2	7,380	Feb 12	2,310
1962-63	444.0	0.6	6.4	4,640	Feb 09	1,800
1963-64	141.0	1.7	5.4	3,940	Mar 22	1,220
1964-65	220.0	1.7	6.9	5,010	Apr 01	2,570
1965-66	897.0	1.1	11.4	8,290	Dec 29	2,980
1966-67	730.0	3.4	15.4	11,170	Nov 07	3,500
1967-68	499.0	4.5	12.7	9,250	Mar 08	2,640
1968-69	982.0	5.0	24.4	17,640	Jan 25	2,830
1969-70	198.0	3.4	9.8	7,080	Mar 04	1,500
1970-71	771.0	2.2	12.7	9,200	Nov 29	4,600
1971-72	291.0	3.9	10.3	7,490	Oct 24	1,650
1972-73	478.0	4.5	16.1	11,670	Jan 18	3,130
1973-74	800.0	4.5	14.8	10,740	Jan 07	1,860
1974-75	318.0	5.0	12.6	9,120	Dec 04	2,370
1975-76	221.0	4.5	13.0	9,410	Sep 05	3,030
1976-77	369.0	7.9	16.8	12,164	Oct 23	2,880
1977-78	1,260.0	3.9	47.9	34,682	Feb 10	12,300
1978-79	338.0	3.9	17.1	12,387	Mar 17	2,620
1979-80	1,490.0	5.0	31.5	22,500	Feb 16	7,560
1980-81	257.0	4.5	16.5	11,965	Jan 29	4,340
1981-82	425.0	2.2	17.3	12,518	Jan 19	3,010

M	Data Missing
*	Record incomplete
E	Estimate
N.D.	Not determined
**	Record not Computed
+	Less than 0.05 Acre Feet or less than 0.05 CFS, but greater than 0

RUNOFF – STREAM GAGING STATION PEAK FLOW

**BURBANK WESTERN STORM DRAIN @ Riverside Drive
STATION NO. E285-R**

Season	Daily CFS			Total Runoff (Acre-feet)	Peak Inflow	
	Maximum	Minimum	Mean		Date	CFS
1982-83	1,710.0	4.5	36.6	26,506	Mar 01	6,320
1983-84	231.0	2.8	9.8	7,083	Nov 01	2,190
1984-85	363.0	1.1	9.6	6,981	Dec 19	2,640
1985-86	372.0	2.8	14.0	10,104	Jan 31	3,070
1986-87	145.0	1.7	8.3	5,843	Nov 18	1,150
1987-88	363.0	7.9	19.4	14,058	Oct 22	6,620
1988-89	194.0	4.4	12.5	9,071	Dec 16	1,410
1989-90	253.0	4.1	10.0	7,258	Feb 04	1,410
1990-91	376.0	1.2	10.7	8,085		N.D.
1991-92	778.0	3.0	35.6	25,812	Feb 10	7,220
1992-93	564.0	6.0	33.9	24,570	Feb 07	8,080
1993-94	355.0	5.7	16.8	12,160	Nov 30	5,600
1994-95	743.0	2.4	39.6	28,687	Mar 10	6,880
1995-96	1,330.0	5.3	22.0	15,950	Feb 21	5,270
1996-97	293.0	6.5	14.2	10,310	Jan 20	2,400
1997-98	844.0	8.4	29.9	21,670	Nov 26	N.D.
1998-99	175.0	7.3	15.1	10,920	Nov 28	2,940
1999-00	279.0	6.2	16.3	11,840	Nov 23	3,920
2000-01	417.0	6.6	20.9	15,120	Jan 11	4,620
2001-02	175.1	4.6	12.8	9,255.1	Nov 24	3,771

M	Data Missing
*	Record incomplete
E	Estimate
N.D.	Not determined
**	Record not Computed
+	Less than 0.05 Acre Feet or less than 0.05 CFS, but greater than 0

RUNOFF – STREAM GAGING STATION PEAK FLOW

COMPTON CREEK *near* Greenleaf Drive
STATION NO. F37B-R

Season	Daily CFS			Total Runoff (Acre-feet)	Peak Inflow	
	Maximum	Minimum	Mean		Date	CFS
1927-28	*	0.0	*	1230*	Mar 05	240*
1928-29	197.0	0.0	3.1	2,270	Mar 10	924
1929-30	144.0	0.0	3.5	2,520	Mar 14	580
1930-31	137.0	+	3.3	2,400	Apr 26	678
1931-32	248.0	0.0	4.4	3,220	Jan 31	757
1932-33	166.0	0.0	2.4	1,780	Jan 19	740
1933-34	372.0	0.0	3.5	2,560	Jan 01	960
1934-35	301.0	0.0	5.7	4,170	Apr 08	850
1935-36	143.0	0.0	4.0	2,920	Feb 12	824
1936-37	559.0	0.0	*	*	Feb 06	1,220
1937-38	986.0E	*	*	*	Mar 02	N.D.
1938-39	837.0	0.0	7.1	5,150	Sep 25	2,150
1939-40	256.0	10.0	7.4	5,340	Feb 03	1,630
1940-41	544.0	1.0	22.7	16,400	Dec 23	2,660
1941-42	236.0	3.0	10.1	7,280	Dec 10	1,730
1942-43	752.0	0.8	11.8	8,560	Jan 22	2,050
1943-44	739.0	2.3	15.6	11,290	Feb 20	2,370
1944-45	363.0	4.4	12.7	9,210	Nov 11	3,010
1945-46	362.0	2.6	11.0	7,960	Dec 23	2,010
1946-47	474.0	4.1	13.9	10,080	Nov 12	2,930
1947-48	170.0	0.6	7.9	5,740	Mar 24	1,410
1948-49	282.0	0.1	5.1	3,660	Dec 17	2,710
1949-50	433.0	+	6.6	4,820	Feb 06	2,830
1950-51	209.0	+	4.9	3,550	Jan 10	1,790
1951-52	661.0	0.1	14.7	10,650	Jan 18	3,220E
1952-53	220.0	0.1	5.6	4,020	Nov 15	2,380
1953-54	797.0	0.1	7.5	5,410	Feb 13	3,600
1954-55	374.0	0.1	8.4	6,080	Jan 18	2,710
1955-56	2,090.0	0.2	12.7	9,240	Jan 26	4,910
1956-57	286.0	+	5.6	4,070	May 11	1,780
1957-58	1,100.0	+	16.0	11,610	Feb 19	4,640
1958-59	449.0	0.0	4.6	3,330	Jan 06	4,320

M Data Missing
 * Record incomplete
 E Estimate
 N.D. Not determined
 ** Record not Computed
 + Less than 0.05 Acre Feet or less than 0.05 CFS, but greater than 0

RUNOFF – STREAM GAGING STATION PEAK FLOW

COMPTON CREEK *near* Greenleaf Drive
STATION NO. F37B-R

Season	Daily CFS			Total Runoff (Acre-feet)	Peak Inflow	
	Maximum	Minimum	Mean		Date	CFS
1959-60	463.0	0.0	6.3	4,590	Jan 11	3,220
1960-61	204.0	+	2.7	1,960	Nov 05	1,640
1961-62	1,060.0	0.1	14.5	10,520	Feb 19	4,550
1962-63	576.0	+	8.8	6,400	Feb 10	3,310
1963-64	212.0	+	4.7	3,440	Nov 06	2,430
1964-65	424.0	0.0	7.4	5,390	Apr 09	2,630
1965-66	809.0	+	10.8	7,800	Dec 29	3,250
1966-67	765.0	+	11.8	8,560	Nov 07	4,650
1967-68	1,120.0	+	9.4	6,850	Mar 07	3,690
1968-69	1,040.0	0.0	16.6	12,010	Jan 20	5,890
1969-70	275.0	0.2	4.4	3,150	Jan 16	1,960
1970-71	609.0	0.4	11.7	8,500	Nov 29	2,930
1971-72	622.0	0.4	6.8	4,940	Dec 27	6,000
1972-73	473.0	0.2	12.2	8,830	Nov 14	4,300
1973-74	810.0	0.3	10.0	7,210	Jan 04	3,140
1974-75	677.0	0.2	9.1	6,550	Dec 04	8,690
1975-76	285.0	0.1	4.6	3,270	Feb 09	2,470
1976-77	542.0	0.0	7.2	5,220	Aug 17	1,970
1977-78	688.0	0.0	20.0	14,471	Mar 01	3,620
1978-79	559.0	+	12.3	8,888	Mar 27	2,410
1979-80	*	*	*	*	Feb 16	4,780
1980-81	440.0	0.1	6.4	4,658	Mar 01	2,970
1981-82	237.0	0.3	6.3E	4,647E	Jan 01	2,720
1982-83	1,010.0	0.4	21.9	16,720	Jan 28	6,020
1983-84	277.0	0.3	5.4	3,893	Nov 24	2,380
1984-85	458.0	0.1	7.4	5,354	Dec 19	4,110
1985-86	*	*	*	*		*
1986-87	187.0	0.4	4.0	2,935	Nov 17	1,670
1987-88	443.0	0.3	8.0	5,826	Dec 04	2,980
1988-89	258.0	0.6	5.9	4,254	Dec 21	1,990
1989-90	755.0	0.2	5.4	3,887	Feb 17	2,500
1990-91	527.0	0.5	9.1	6,586	Mar 19	3,940

M	Data Missing
*	Record incomplete
E	Estimate
N.D.	Not determined
**	Record not Computed
+	Less than 0.05 Acre Feet or less than 0.05 CFS, but greater than 0

RUNOFF – STREAM GAGING STATION PEAK FLOW

COMPTON CREEK *near* Greenleaf Drive
 STATION NO. F37B-R

Season	Daily CFS			Total Runoff (Acre-feet)	Peak Inflow	
	Maximum	Minimum	Mean		Date	CFS
1991-92	510.0	0.1	15.5	11,228	Mar 20	4,640
1992-93	717.0	0.1	21.8	15,760	Jan 06	5,240
1993-94	290.0	0.2	6.0	4,315	Nov 30	2,680
1994-95	1,120.0	0.0	15.8	11,440	Jan 04	7,660
1995-96	627.0	0.5	8.0	5,792	Jan 31	3,410
1996-97	402.0	0.7	10.1	7,300	Dec 09	2,510
1997-98	826.0	0.7	26.9	19,500	Feb 06	7,040
1998-99	384.0	0.2	9.0	6,540	Nov 08	2,420
1999-00	611.0	0.0	7.6	5,480	Mar 05	6,150
2000-01	525.0	0.0	10.6	7,710	Jan 11	3,250
2001-02	402.8	0.0	7.1	15,512.2	Nov 24	2,519

M Data Missing
 * Record incomplete
 E Estimate
 N.D. Not determined
 ** Record not Computed
 + Less than 0.05 Acre Feet or less than 0.05 CFS, but greater than 0

RUNOFF – STREAM GAGING STATION PEAK FLOW

COYOTE CREEK *below* Spring Street
 STATION NO. F354-R

Season	Daily CFS			Total Runoff (Acre-feet)	Peak Inflow	
	Maximum	Minimum	Mean		Date	CFS
1963-64	1,190.0	+	10.9	7,950	Nov 15	N.D.
1964-65	800.0	0.3	16.9	12,220	Apr 09	3,350
1965-66	1,830.0	1.2	32.5	23,500	Dec 29	5,020
1966-67	1,840.0	1.4	37.9	27,450	Jan 22	6,880
1967-68	2,350.0	1.6	26.8	19,570	Mar 08	6,970
1968-69	4,420.0	3.1	88.8	64,290	Jan 20	11,300
1969-70	1,000.0	2.5	23.0	16,680	Feb 10	4,600
1970-71	2,320.0	1.4	32.9	23,820	Dec 19	6,200
1971-72	1,770.0	*	*	*	Dec 27	6,620
1972-73	2,350.0	3.3	60.4	43,720	Nov 14	7,810
1973-74	2,410.0	2.3	38.3	27,700	Jan 07	8,670
1974-75	3,130.0	2.3	36.9	26,700	Dec 04	14,400
1975-76	1,500.0	2.3	24.5	17,540	Feb 06	5,430
1976-77	4,250.0	1.7	37.5	27,000	May 08	13,400
1977-78	4,400.0	1.5	128.4	92,940	Mar 01	13,700
1978-79	*	*	*	*		*
1979-80	4,380.0	4.0	128.4	91,800	Feb 14	19,400
1980-81	2,030.0	4.9	33.7	24,395	Mar 01	7,980
1981-82	4,020.0	4.6	56.2	40,818	Nov 28	12,200
1982-83	5,100.0	3.4	123.0	89,013	Mar 01	19,700
1983-84	2,670.0	5.2	1.5	32,043	Oct 01	9,620
1984-85	*	*	*	*		*
1985-86	*	*	*	*	Feb 14	*
1986-87	2,980.0	4.9	34.1	24,670	Jan 04	11,100
1987-88	2,940.0	3.1	46.8	33,943	Dec 04	7,630
1988-89	1,360.0	3.0	45.0	32,582		N.D.
1989-90	648.0	2.3	18.5	13,410	Jan 16	2,980
1990-91	2,250.0	3.4	49.7	35,630	Mar 01	6,250
1991-92	3,120.0	0.0	61.3	44,518	Feb 12	21,000
1992-93	5,030.0	3.8	147.0	106,400	Dec 07	13,600
1993-94	M	M	M	M		M
1994-95	*	*	*	*	Mar 11	11,500

M Data Missing
 * Record incomplete
 E Estimate
 N.D. Not determined
 ** Record not Computed
 + Less than 0.05 Acre Feet or less than 0.05 CFS, but greater than 0

RUNOFF – STREAM GAGING STATION PEAK FLOW

COYOTE CREEK *below* Spring Street
 STATION NO. F354-R

Season	Daily CFS			Total Runoff (Acre-feet)	Peak Inflow	
	Maximum	Minimum	Mean		Date	CFS
1995-96	2,990.0	2.8	41.9	30,380	Feb 20	15,500
1996-97	2,120.0	3.5	72.0	52,160	Dec 09	10,100
1997-98	3,370.0	1.5	135.0	97,460	Feb 07	13,800
1998-99	748.0	3.0	35.7	25,830	Nov 08	4,570
1999-00	1,180.0	3.9	33.7	24,430	Feb 23	5,100
2000-01	3,030.0E	3.6E	71.2E	51,510E	Jan 11	15,300
2001-02	920.9	2.0	33.0	17,758.0	Dec 21	2,371

M	Data Missing
*	Record incomplete
E	Estimate
N.D.	Not determined
**	Record not Computed
+	Less than 0.05 Acre Feet or less than 0.05 CFS, but greater than 0

RUNOFF – STREAM GAGING STATION PEAK FLOW

DALTON WASH @ Merced Avenue
STATION NO. F274B-R

Season	Daily CFS			Total Runoff (Acre-feet)	Peak Inflow	
	Maximum	Minimum	Mean		Date	CFS
1940-41	206.0	0.0	5.3	3,844	Mar 13	674
1941-42	42.0	0.0	1.0	727.0	Dec 10	230
1942-43	336.0	0.0	4.8	3,500	Jan 22	1,230
1943-44	1,620.0	0.0	2.2	1,620	Feb 22	2,650
1944-45	144.0	0.0	1.2	894.0	Nov 11	1,740
1945-46	229.0	0.0	2.2	1,610	Dec 23	1,450
1946-47	52.0	0.0	1.4	984.0	Nov 23	328
1947-48	20.0	0.0	0.1	96.0	Dec 05	149
1948-49	19.0	0.0	0.1	97.0	Dec 17	181
1949-50	38.0	0.0	0.4	306.0	Dec 18	232
1950-51	11.0	0.0	0.1	64.0	Jan 11	175
1951-52	270.0	0.0	2.9	2,090	Jan 16	1,070
1952-53	39.0	0.0	0.4	287.0	Nov 15	549
1953-54	217.0	0.0	1.5	1,060	Feb 13	1,290
1954-55	88.0	0.0	1.0	706.0	Jan 18	668
1955-56	860.0	0.0	3.1	2,260	Jan 26	2,350
1956-57	165.0	0.0	1.4	980.0	Mar 01	1,990
1957-58	303.0	0.0	6.5	4,690	Mar 16	1,310
1958-59	208.0	0.0	3.0	2,130	Jan 06	2,700
1959-60	2,260.0	0.1	3.1	2,260	Jan 10	1,000
1960-61	150.0	0.2	3.1	2,220	Jan 26	1,468
1961-62	511.0	0.1	9.9	7,200	Nov 20	4,270
1962-63	403.0	0.2	5.7	4,110	Mar 16	2,020
1963-64	169.0	0.1	3.8	2,750	Jan 21	1,530
1964-65	290.0	0.1	4.4	3,170	Apr 09	2,800
1965-66	571.0	0.2	8.8	6,310	Nov 22	1,320
1966-67	693.0	0.3	14.0	10,140	Sep 01	3,970
1967-68	414.0	0.3	5.9	4,310	Mar 08	3,254
1968-69	3,120.0	0.3	47.0	34,300	Jan 25	6,550
1969-70	447.0	1.2	68.0	49,270	Feb 01	4,775
1970-71	404.0	0.8	88.0	63,700	Dec 21	2,320
1971-72	599.0	0.8	54.0	39,430	Dec 24	3,570

M	Data Missing
*	Record incomplete
E	Estimate
N.D.	Not determined
**	Record not Computed
+	Less than 0.05 Acre Feet or less than 0.05 CFS, but greater than 0

RUNOFF – STREAM GAGING STATION PEAK FLOW

**DALTON WASH @ Merced Avenue
STATION NO. F274B-R**

Season	Daily CFS			Total Runoff (Acre-feet)	Peak Inflow	
	Maximum	Minimum	Mean		Date	CFS
1972-73	629.0	0.8	121.0	87,820	Feb 02	4,240
1973-74	839.0	0.8	112.0	81,260	Jan 04	2,140
1974-75	550.0	0.8	66.8	48,320	Dec 04	5,060
1975-76	282.0	0.8	74.1	53,640	Sep 10	2,190
1976-77	210.0	1.0	14.2	10,280	Jan 03	3,240
1977-78	*	*	*	*	Mar 05	*
1978-79	582.0	0.1	101.6	73,533	Mar 27	5,610
1979-80	2,790.0	+	83.4	59,890	Feb 16	10,000
1980-81	379.0	1.0	21.9	15,861	Mar 01	1,830
1981-82	568.0	0.6	53.4	38,651	Mar 14	3,750
1982-83	1,690.0	0.0	52.2	37,757	Feb 27	6,130
1983-84	347.0	0.0	40.2	28,405	Dec 25	3,360
1984-85	322.0	0.1	57.6	41,683	Nov 08	3,500
1985-86	496.0	0.1	39.1	28,298	Mar 08	5,550
1986-87	347.0	0.0	65.7	46,865	Oct 02	2,980
1987-88	421.0	0.1	47.9	34,807	Dec 04	4,984
1988-89	286.0	1.3	60.0	43,310	Dec 21	3,408
1989-90	151.0	8.0	56.0	39,890	Apr 17	5,390
1990-91	593.0	0.0	18.1	13,700	Mar 01	3,288
1991-92	529.0	0.1	10.0	7,252	Feb 12	5,270
1992-93	790.0	0.0	37.8	27,370	Jan 14	6,120
1993-94	169.0	0.1	6.2	4,470	Apr 26	3,390
1994-95	1,070.0	0.1	19.6	14,160	Jan 10	4,790
1995-96	925.0	0.2	13.7	9,920	Feb 18	6,760
1996-97	370.0	0.1	30.2	21,890	Dec 09	3,130
1997-98	1,070.0	0.1	22.4	16,220	Feb 07	6,630
1998-99	127.0	0.1	7.2	5,240	Nov 28	2,820
1999-00	291.0	0.1	28.3	20,520	Feb 12	3,040
2000-01	408.0	0.1	22.1	16,030	Jan 11	2,280
2001-02	281.7	0.0	29.6	21,371.1	Dec 20	2,556

M	Data Missing
*	Record incomplete
E	Estimate
N.D.	Not determined
**	Record not Computed
+	Less than 0.05 Acre Feet or less than 0.05 CFS, but greater than 0

RUNOFF – STREAM GAGING STATION PEAK FLOW

**EATON WASH *below* Eaton Wash Dam
STATION NO. F271-R**

Season	Daily CFS			Total Runoff (Acre-feet)	Peak Inflow	
	Maximum	Minimum	Mean		Date	CFS
1940-41	211.0	0.0	9.4	6,090.6	Feb 20	256
1941-42	N.D.					
1942-43	663.0	0.0	11.2	6,398.9	Jan 23	1,080
1943-44	161.0	0.0	5.5	1,967.0	Mar 14	268
1944-45	17.1	0.0	0.1	100.8	Feb 02	26
1945-46	43.0	0.0	0.4	265.2	Dec 22	121
1946-47	63.0	0.0	0.7	507.4	Dec 26	86
1947-48	1.7	0.0	0.0	5.6	Dec 04	9
1948-49	0.3	0.0	0.0	1.2	Dec 17	0
1949-50	13.8	0.0	0.1	70.4		
1950-51	2.3	0.0	0.0	7.5		
1951-52	166.0	0.0	2.5	1,827.2		
1952-53	N.D.					
1953-54	40.0	0.0	0.3	199.1		
1954-55	N.D.					
1955-56	41.0	0.0	0.2	149.6		
1956-57	2.1	0.0	0.0	12.7		
1957-58	136.0	0.0	2.9	2,035.4	Feb 04	146
1958-59	29.0	0.0	0.2	158.3	Feb 16	164
1959-60	N.D.					
1960-61	N.D.					
1961-62	204.0	0.0	1.9	1,299.4		
1962-63	8.6	0.0	0.0	17.1		
1963-64	8.2	0.0	0.0	35.7		
1964-65	35.0	0.0	0.5	328.8		
1965-66	173.0	0.0	5.1	3,650.8		
1966-67	169.0	0.0	2.6	1,907.7		
1967-68	N.D.					
1968-69	N.D.					
1969-70	N.D.					
1970-71	N.D.					
1971-72	N.D.					

M Data Missing
 * Record incomplete
 E Estimate
 N.D. Not determined
 ** Record not Computed
 + Less than 0.05 Acre Feet or less than 0.05 CFS, but greater than 0

RUNOFF – STREAM GAGING STATION PEAK FLOW

EATON WASH *below* Eaton Wash Dam
STATION NO. F271-R

Season	Daily CFS			Total Runoff (Acre-feet)	Peak Inflow	
	Maximum	Minimum	Mean		Date	CFS
1972-73	N.D.					
1973-74	N.D.					
1974-75	27.0	0.0	0.6	405.4	Mar 15	28
1975-76	27.1	0.0	0.6	424.9	Mar 16	80
1976-77	21.8	0.0	0.4	315.4		22
1977-78	206.0	0.0	5.3	3,456.2	Mar 04	867
1978-79	33.9	0.0	3.4	2,446.0	Nov 21	226
1979-80M	N.D.					
1980-81	13.0	0.0	0.9	671.0		
1981-82	29.1	0.0	2.1	1,523.7	Apr 05	112
1982-83	804.0	0.0	26.1	18,918.1	Mar 02	1,210
1983-84	44.8	0.0	2.7	1,927.3	Oct 20	43
1984-85	26.6	0.0	1.0	698.2	Jan 05	18
1985-86	42.0	0.0	2.6	1,932.9		
1986-87	NO RECORD					
1987-88	20.9	0.0	0.9	650.6	Apr 25	29
1988-89	26.8	0.0	0.3	344.7		
1989-90	10.0	0.0	1.3	85.3		
1990-91	60.1	0.0	2.1	1,567.9	Mar 22	57
1991-92	274.0	0.0	8.4	6,131.9	Feb 11	642
1992-93	441.0	0.0	20.0	14,503.1	Jan 07	822
1993-94*	15.7	0.0	1.1	691.6		N.D.
1994-95	176.0	0.0	10.3	7,469.2	Jan 10	429
1995-96*	201.0	0.0	2.9	2,094.6	Feb 21	298
1996-97	30.0	0.0	1.7	1,262.9	Jan 27	83
1997-98	252.0	0.0	8.8	6,363.7		N.D.
1998-99	8.8	0.0	0.2	142.1	Jun 02	43
1999-00*	67.0	0.0	1.0	710.8	Feb 24	180
2000-01	32.0	0.0	1.1	795.0	Apr 16	206
2001-02	7.8	0.0	0.2	116.6	Dec 12	32

M	Data Missing
*	Record incomplete
E	Estimate
N.D.	Not determined
**	Record not Computed
+	Less than 0.05 Acre Feet or less than 0.05 CFS, but greater than 0

RUNOFF – STREAM GAGING STATION PEAK FLOW

EATON WASH @ Loftus Drive
STATION NO. F318-R

Season	Daily CFS			Total Runoff (Acre-feet)	Peak Inflow	
	Maximum	Minimum	Mean		Date	CFS
1956-57	201.0	0.0	0.0	2,400	Feb 23	1,760
1957-58	368.0	0.1	0.1	7,460	Feb 19	2,700
1958-59	245.0	0.1	0.1	2,850	Jan 06	3,480
1959-60	186.0	+	+	2,420	Jan 12	1,090
1960-61	123.0	0.1	0.1	1,590	Nov 26	1,200
1961-62	598.0	0.1	0.1	6,880	Feb 11	1,950
1962-63	311.0	0.3	0.3	2,980	Feb 09	1,230
1963-64	227.0	0.1	0.1	3,050	Nov 20	2,360
1964-65	254.0	0.2	0.2	3,760	Apr 09	2,150
1965-66	605.0	0.3	0.3	8,990	Dec 29	2,290
1966-67	548.0	0.3	0.3	8,670	Jan 24	2,100
1967-68	318.0	0.3	0.3	4,040	Mar 08	2,390
1968-69	1,860.0	0.3	0.3	M		M
1969-70	M	M	M	M		M
1970-71	M	M	M	M		M
1971-72	M	M	M	M		M
1972-73	M	M	M	M		M
1973-74	592.0	0.3	0.3	4,870	Jan 07	1,530
1974-75	480.0	0.5	0.5	4,870	Dec 04	3,000
1975-76	275.0	0.4	0.4	3,980	Sep 11	2,660
1976-77	206.0	0.4	0.4	3,650	Oct 23	1,820
1977-78	914.0	0.4	0.4	21,425	Feb 10	5,810
1978-79	335.0	0.3	0.3	7,156	Feb 21	2,630
1979-80	1,460.0	0.1	0.1	27,991	Feb 16	5,240
1980-81	203.0	0.3	0.3	3,937	Mar 19	1,630
1981-82	377.0	0.4	0.4	5,453	Mar 17	3,060
1982-83	1,570.0	0.5	0.5	28,952		N.D.
1983-84	191.0	0.4	0.4	3,307	Dec 25	1,930
1984-85	199.0	0.4	0.4	4,258	Dec 19	2,460
1985-86	313.0	0.4	0.4	4,827	Jan 31	1,730
1986-87	178.0	0.1	0.1	1,782	Oct 02	1,400
1987-88	317.0	0.0	0.0	3,048	Jan 17	4,950

M Data Missing
 * Record incomplete
 E Estimate
 N.D. Not determined
 ** Record not Computed
 + Less than 0.05 Acre Feet or less than 0.05 CFS, but greater than 0

RUNOFF – STREAM GAGING STATION PEAK FLOW

EATON WASH @ Loftus Drive
 STATION NO. F318-R

Season	Daily CFS			Total Runoff (Acre-feet)	Peak Inflow	
	Maximum	Minimum	Mean		Date	CFS
1988-89	172.0	0.1	0.1	2,134	Dec 15	1,150
1989-90	383.0	0.1	0.1	2,289	Apr 17	1,310
1990-91	331.0	0.0	0.0	3,948	Feb 28	1,850
1991-92	757.0	0.0	0.0	10,304	Feb 12	3,900
1992-93	664.0	0.0	0.0	21,580	Dec 07	5,090
1993-94	159.0	0.0	0.0	2,122	Mar 24	2,580
1994-95	954.0	0.0	0.0	14,500	Mar 11	5,330
1995-96	551.0	0.1	0.1	5,734	Jan 31	5,090
1996-97	236.0	0.1	0.1	4,630	Jan 12	1,010
1997-98	1,070.0	0.1	0.1	14,050	Feb 23	4,650
1998-99	136.0	0.2	0.2	1,990	Nov 28	1,430
1999-00	247.0	0.1	0.1	3,720	Feb 21	2,490
2000-01	352.0	0.2	0.2	4,680	Jan 11	1,760
2001-02	236.4	0.2	2.3	1,685.1	Nov 24	4,059

M Data Missing
 * Record incomplete
 E Estimate
 N.D. Not determined
 ** Record not Computed
 + Less than 0.05 Acre Feet or less than 0.05 CFS, but greater than 0

RUNOFF – STREAM GAGING STATION PEAK FLOW

FISH CREEK *above* Mouth of Canyon
STATION NO. U7-R

Season	Daily CFS			Total Runoff (Acre-feet)	Peak Inflow	
	Maximum	Minimum	Mean		Date	CFS
1917-18	193.0	0.1	4.1	2,960	Mar 10	330
1918-19	10.0	0.0	0.9	648.0	Feb 11	21
1919-20	83.0	+	3.0	2,160	Mar 02	255
1920-21	120.0	0.0	2.3	1,670	Mar 13	286
1921-22	290.0	0.1	12.4	8,980	Feb 09	505
1922-23	64.0	0.1	2.1	1,510	Dec 12	186
1923-24	14.0	0.0	0.5	344.0	Mar 26	58
1924-25	132.0	0.0	1.7	1,230	Apr 04	N.D.
1925-26	410.0	0.1	7.2	5,170	Apr 07	N.D.
1926-27	482.0	0.4	7.0	5,070	Feb 16	945
1927-28	30.0	N.D.	1.2	860.0	Feb 04	97
1928-29	41.0	0.0	1.4	1,040	Mar 10	71
1929-30	42.0	0.0	1.5	1,070	Jan 15	72
1930-31	26.0	N.D.	1.2	888.0	Apr 26	70
1931-32	213.0	N.D.	4.9	3,560	Dec 28	415
1932-33	167.0	N.D.	1.8	1,340	Jan 19	299
1933-34	360.0	N.D.	3.4	2,440	Jan 01	640
1934-35	150.0	N.D.	4.2	3,080	Apr 08	420
1935-36	80.0	0.3	4.5	3,280	Feb 02	676
1936-37	142.0	0.4	9.3	6,770	Dec 30	252
1937-38	752.0	1.0	13.2	9,520	Mar 02	2,100
1938-39	50.0	0.2	2.4	1,750	Dec 19	172
1939-40	43.0	0.1	2.2	1,570	Jan 08	225
1940-41	255.0	0.1	12.9	9,340	Mar 04	443
1941-42	23.0	0.1	1.4	1,030	Dec 10	44
1942-43	874.0	0.1	14.8	10,720	Jan 23	2,100
1943-44	325.0	0.5	5.8	4,200	Feb 22	680
1944-45	106.0	0.2	3.6	2,580	Nov 11	400
1945-46	156.0	0.1	3.2	2,310	Dec 23	540
1946-47	140.0	0.1	4.0	2,910	Dec 26	400
1947-48	8.8	N.D.	0.7	536.0	Apr 28	28
1948-49	18.0	N.D.	0.8	610.0	Jan 20	35

M	Data Missing
*	Record incomplete
E	Estimate
N.D.	Not determined
**	Record not Computed
+	Less than 0.05 Acre Feet or less than 0.05 CFS, but greater than 0

RUNOFF – STREAM GAGING STATION PEAK FLOW

FISH CREEK *above* Mouth of Canyon
STATION NO. U7-R

Season	Daily CFS			Total Runoff (Acre-feet)	Peak Inflow	
	Maximum	Minimum	Mean		Date	CFS
1949-50	37.0	0.0	1.2	888.0	Dec 18	157
1950-51	5.6	0.0	0.3	237.0	Apr 28	16
1951-52	348.0	0.0	8.3	6,060	Jan 16	1,360
1952-53	18.0	0.0	1.1	813.0	Dec 01	252
1953-54	110.0	0.0	2.1	1,510	Jan 25	376
1954-55	15.0	0.0	0.8	567.0	Jan 18	39
1955-56	155.0	0.0	1.5	1,100	Jan 26	544
1956-57	33.0	0.0	0.9	674.0	Jan 13	108
1957-58	212.0	0.0	7.8	5,680	Apr 03	608
1958-59	200.0	0.1	2.2	1,590	Dec 06	2,000E
1959-60	16.0	0.0	1.1	794.0	Apr 27	84
1960-61	23.0	0.0	0.6	443.0	Nov 12	230
1961-62	472.0	0.0	6.2	4,480	Feb 11	770
1962-63	71.0	0.0	1.3	922.0	Feb 09	346
1963-64	48.0	0.0	0.9	1,107	Jan 21	178
1964-65	48.0	0.0	1.3	930.0	Apr 09	163
1965-66	523.0	0.0	8.6	6,200	Dec 29	1,670
1966-67	688.0	0.6	13.5	9,740	Dec 06	2,250
1967-68	44.0	0.4	2.3	1,640	Nov 19	282
1968-69	5,540.0	0.7	55.2	39,980	Jan 25	13,000
1969-70	99.0	0.8	4.2	3,010	Feb 28	898
1970-71	93.0	0.6	3.3	2,400	Nov 29	259
1971-72	23.0	0.1	1.0	742.0	Dec 24	62
1972-73	480.0	0.2	7.4	5,390	Feb 11	1,600
1973-74	234.0	0.4	4.4	3,210	Jan 07	376
1974-75	30.0	0.2	2.5	1,803	Dec 04	56
1975-76	41.0	0.1	1.5	1,050	Mar 01	143
1976-77	45.0	0.0	1.0	760.0		N.D.
1977-78	386.0	0.1	15.5	11,242	Feb 10	1,340
1978-79	35.1	0.2	4.4	3,164	Dec 05	78
1979-80	448.0	0.4	0.5	10,806	Feb 16	1,590
1980-81	43.5	0.2	1.7	1,264	Jan 29	190

M	Data Missing
*	Record incomplete
E	Estimate
N.D.	Not determined
**	Record not Computed
+	Less than 0.05 Acre Feet or less than 0.05 CFS, but greater than 0

RUNOFF – STREAM GAGING STATION PEAK FLOW

FISH CREEK *above* Mouth of Canyon
STATION NO. U7-R

Season	Daily CFS			Total Runoff (Acre-feet)	Peak Inflow	
	Maximum	Minimum	Mean		Date	CFS
1981-82	12.6	0.1	2.0	1,424	Jan 20	26
1982-83	575.0	0.4	18.7	13,552	Mar 01	1,230
1983-84	35.1	0.0	2.0	1,487	Dec 25	108
1984-85	29.4	0.1	17.6	1,100		N.D.
1985-86	*	*	*	*		*
1986-87	14.2	0.0	1.6	1,156		N.D.
1987-88	48.9	0.0	1.5	1,082	Jan 17	115
1988-89	80.7	0.0	21.1	1,219	Feb 04	226
1989-90	35.4	0.0	0.6	466.0	Feb 16	176
1990-91	87.4	0.0	2.5	1,837	Mar 01	429
1991-92	318.0	0.0	10.3	7,481	Feb 12	1,030
1992-93	422.0	0.3	20.2	14,640	Feb 19	2,370
1993-94	13.3	0.0	1.2	843.0	Feb 20	31
1994-95	248.0	0.2	10.5	7,620	Mar 05	768
1995-96	295.0	0.1	5.2	3,797	Feb 21	540
1996-97	125.0	0.2	4.9	3,520	Dec 22	339
1997-98	500.0	0.1	10.9	7,860	Mar 03	35
1998-99	1.9	0.2	1.3	935.0	Mar 30	2
1999-00	17.0	0.6	1.7	1,220E		N.D.
2000-01	25.0	0.0	1.2	881.0	Apr 16	98
2001-02	13.0	0.0	0.6	418.7	Jan 27	43

M	Data Missing
*	Record incomplete
E	Estimate
N.D.	Not determined
**	Record not Computed
+	Less than 0.05 Acre Feet or less than 0.05 CFS, but greater than 0

RUNOFF – STREAM GAGING STATION PEAK FLOW

**LEAKAGE @ Toe of Cogswell Dam
STATION NO. F251-R**

Season	Daily CFS			Total Runoff (Acre-feet)	Peak Inflow	
	Maximum	Minimum	Mean		Date	CFS
1934-35	20.0	0.0	4.0	2,890.3	May 01	20
1935-36	41.0	0.1	9.3	6,728.3	Feb 17	41
1936-37	N.D.					
1937-38	N.D.					
1938-39	N.D.					
1939-40	N.D.					
1940-41	N.D.					
1941-42	N.D.					
1942-43	N.D.					
1943-44	N.D.					
1944-45	N.D.					
1945-46	N.D.					
1946-47	N.D.					
1947-48	N.D.					
1948-49	N.D.					
1949-50	N.D.					
1950-51	N.D.					
1951-52	N.D.					
1952-53	N.D.					
1953-54	N.D.					
1954-55	N.D.					
1955-56	N.D.					
1956-57	N.D.					
1957-58	N.D.					
1958-59	N.D.					
1959-60	N.D.					
1960-61	N.D.					
1961-62	N.D.					
1962-63	N.D.					
1963-64	N.D.					
1964-65	N.D.					
1965-66	N.D.					

M Data Missing
 * Record incomplete
 E Estimate
 N.D. Not determined
 ** Record not Computed
 + Less than 0.05 Acre Feet or less than 0.05 CFS, but greater than 0

RUNOFF – STREAM GAGING STATION PEAK FLOW

LEAKAGE @ Toe of Cogswell Dam
 STATION NO. F251-R

Season	Daily CFS			Total Runoff (Acre-feet)	Peak Inflow	
	Maximum	Minimum	Mean		Date	CFS
1966-67	N.D.					
1967-68	N.D.					
1968-69	N.D.					
1969-70	N.D.					
1970-71	N.D.					
1971-72	N.D.					
1972-73	N.D.					
1973-74	N.D.					
1974-75	5.3	1.8	3.6	2,614.0		5
1975-76	3.9	1.8	3.2	2,326.4	Feb 09	4
1976-77	4.5	1.8	3.1	2,228.2		
1977-78	16.8	2.2	0.2	4,130.8	Feb 10	57
1978-79	6.8	2.5	0.1	2,800.7	Mar 27	7
1979-80	N.D.					
1980-81	5.6	0.0	1.9	1,363.8	Oct 01	6
1981-82	10.4	0.0	5.1	3,682.7		10
1982-83	13.9	4.2	0.3	5,635.0	Mar 02	14
1983-84	8.1	1.5	0.2	3,383.0	Oct 01	8
1984-85	5.2	1.0	3.4	2,432.7	Dec 28	5
1985-86	5.4	2.9	4.0	2,877.2	Feb 15	6
1986-87	3.8	2.2	31.8	1,927.3	Oct 01	4
1987-88	4.4	1.8	35.5	2,142.0	May 23	4
1988-89	2.7	1.7	2.0	1,449.1	Oct 01	3
1989-90	2.8	1.0	1.9	1,344.2	May 19	3
1990-91	4.7	0.0	0.7	510.1	Mar 01	5
1991-92	5.0	0.0	0.8	569.7	Apr 08	5
1992-93	22.1	0.2	11.0	7,996.2	Jan 18	23
1993-94	11.3	0.2	3.1	2,243.3	Oct 01	11
1994-95	4.0	0.0	0.7	502.2	Aug 15	11
1995-96	2.2	0.0	0.1	66.1	Feb 21	6
1996-97	13.0	0.0	5.5	4,006.4	Apr 21	13
1997-98	31.0	2.4	16.1	11,654.7	Feb 23	39

M Data Missing
 * Record incomplete
 E Estimate
 N.D. Not determined
 ** Record not Computed
 + Less than 0.05 Acre Feet or less than 0.05 CFS, but greater than 0

RUNOFF – STREAM GAGING STATION PEAK FLOW

LEAKAGE @ Toe of Cogswell Dam
 STATION NO. F251-R

Season	Daily CFS			Total Runoff (Acre-feet)	Peak Inflow	
	Maximum	Minimum	Mean		Date	CFS
1998-99	22.0	1.3	9.5	6,897.1	Oct 01	22
1999-00	12.0	0.0	4.3	3,102.2	Apr 18	12
2000-01	14.0	1.8	7.6	5,520.0	Apr 07	14
2001-02	8.4	0.0	2.9	2,070.0	Nov 25	8

M	Data Missing
*	Record incomplete
E	Estimate
N.D.	Not determined
**	Record not Computed
+	Less than 0.05 Acre Feet or less than 0.05 CFS, but greater than 0

RUNOFF – STREAM GAGING STATION PEAK FLOW

**LITTLE ROCK CREEK *above* Little Rock Dam
STATION NO. L1-R**

Season	Daily CFS			Total Runoff (Acre-feet)	Peak Inflow	
	Maximum	Minimum	Mean		Date	CFS
1930-31	195.0	0.0	5.0	3,610	Apr 26	430
1931-32	830.0	0.0	*	16,730*	Feb 08	2,200
1932-33	56.0	0.0	5.8	4,180	Mar 09	66
1933-34	455.0	0.0	5.2	3,770		N.D.
1934-35	716.0	0.0	24.4	17,640	Feb 05	925
1935-36	127.0	0.0	4.6	3,320	Feb 23	261
1936-37	679.0	0.0	30.3	21,950	Feb 06	1,550
1937-38	N.D.	0.0	N.D.	N.D.	Mar 02	17,000
1938-39	NO RECORDS					
1939-40	183.0	0.0	9.6	7,000	Jan 08	555
1940-41	1,730.0	0.0	71.3	51,620	Feb 20	2,240
1941-42	55.0	+	7.1	5,140	Apr 14	92
1942-43	2,730.0E	0.0	49.5	35,870	Jan 23	5,700
1943-44	736.0	0.8	49.6	35,940	Feb 22	902
1944-45	323.0	0.1	12.8	9,250	Nov 11	1,080
1945-46	604.0	0.0	16.7	12,150	Dec 21	1,100
1946-47	1,740.0	0.0	21.9	15,840	Dec 26	3,180
1947-48	62.0	0.0	3.4	2,450	Apr 29	122
1948-49	33.0	0.0	4.4	3,170	Apr 14	37
1949-50	114.0	0.0	3.4	2,470	Feb 06	212
1950-51	4.7	0.0	0.6	432.0	May 04	5
1951-52	311.0	0.0	31.6	22,890	Dec 30	502
1952-53	33.0	0.0	4.2	3,020	Jan 09	36
1953-54	328.0	0.0	11.6	8,430	Jan 25	655
1954-55	116.0	+	10.1	7,310	Nov 11	236
1955-56	424.0	0.0	7.5	5,470	Jan 26	1,050
1956-57	399.0	0.0	6.3	4,560	Jan 13	1,040
1957-58	521.0	0.0	40.7	29,500	Dec 15	1,070
1958-59	163.0	0.0	5.7	4,150	Feb 16	598
1959-60	15.0	0.0	2.4	1,750	Jan 26	17
1960-61	25.0	0.0	1.8	1,290	Nov 06	37
1961-62	2,060.0	0.0	25.8	18,640	Feb 11	3,180

M	Data Missing
*	Record incomplete
E	Estimate
N.D.	Not determined
**	Record not Computed
+	Less than 0.05 Acre Feet or less than 0.05 CFS, but greater than 0

RUNOFF – STREAM GAGING STATION PEAK FLOW

**LITTLE ROCK CREEK *above* Little Rock Dam
STATION NO. L1-R**

Season	Daily CFS			Total Runoff (Acre-feet)	Peak Inflow	
	Maximum	Minimum	Mean		Date	CFS
1962-63	112.0	0.0	3.0	2,200	Feb 10	314
1963-64	38.0	0.0	3.8	2,800	Apr 01	49
1964-65	115.0	0.0	7.1	5,150	Apr 19	155
1965-66	1,700.0	0.0	33.9	24,500	Dec 29	5,240
1966-67	1,330.0	0.0	29.2	21,230	Dec 06	1,970
1967-68	264.0	+	11.6	8,390	Nov 21	444
1968-69	1,810.0	+	57.2	41,430	Jan 25	5,900
1969-70	175.0	0.0	9.5	6,850	Feb 10	287
1970-71	453.0	0.0	10.6	7,700	Nov 29	1,490
1971-72	382.0	0.0	6.0	4,320	Dec 24	801
1972-73	556.0	0.0	16.1	11,680	Feb 11	1,880
1973-74	70.0	0.0	10.4	7,540	Mar 02	87
1974-75	124.0	0.0	7.8	5,640	Mar 08	230
1975-76	270.0	0.0	7.6	5,530	Feb 08	643
1976-77	74.0	0.0	7.3	5,296	May 08	181
1977-78	*	*	*	*	Feb 10	*
1978-79	249.0	0.5	25.6	18,562	Mar 27	367
1979-80	1,705.0	0.0	45.8	32,580	Feb 19	3,998
1980-81	43.8	0.0	5.9	4,726	Mar 20	59
1981-82	575.0	0.0	18.3	13,243	Apr 11	1,132
1982-83	2,413.0	0.0	66.5	48,136	Mar 01	3,482
1983-84	244.0	0.0	7.1	5,124	Dec 25	539
1984-85	36.2	0.0	8.0	5,764	Dec 27	45
1985-86	515.0	0.0	17.3	12,510	Jan 30	1,162
1986-87	64.1	0.0	2.5	1,818	Mar 06	87
1987-88	205.0	0.0	25.1	18,286		N.D.
1988-89	47.0	0.0	6.3	4,701	Feb 09	61
1989-90	*	*	*	*	Jan 23	41
1990-91	369.0	0.0	8.6	8,094	Mar 01	839
1991-92	*	*	*	*		*
1992-93	*	*	*	*		*
1993-94	46.9	0.0	N.D.	*		N.D.

M	Data Missing
*	Record incomplete
E	Estimate
N.D.	Not determined
**	Record not Computed
+	Less than 0.05 Acre Feet or less than 0.05 CFS, but greater than 0

RUNOFF – STREAM GAGING STATION PEAK FLOW

LITTLE ROCK CREEK *above* Little Rock Dam
 STATION NO. L1-R

Season	Daily CFS			Total Runoff (Acre-feet)	Peak Inflow	
	Maximum	Minimum	Mean		Date	CFS
1994-95	795.0	0.0	44.9	32,480	Jan 10	2,000
1995-96	638.0	0.0	8.9	6,474	Feb 21	1,100
1996-97	207.0	0.0	7.3	5,260	Jan 26	264
1997-98	1,610.0	0.0	52.3	37,890	Feb 23	3,470
1998-99	23.0	0.0	3.8	2,720	Feb 10	27
1999-00	168.0	0.0	6.9	5,000	Feb 23	519
2000-01	154.0	0.0	14.9	10,760	Mar 06	219
2001-02	3.2	0.0	0.6	305.0	Jan 29	4

M	Data Missing
*	Record incomplete
E	Estimate
N.D.	Not determined
**	Record not Computed
+	Less than 0.05 Acre Feet or less than 0.05 CFS, but greater than 0

RUNOFF – STREAM GAGING STATION PEAK FLOW

LIVE OAK CREEK *below* Live Oak Dam
 STATION NO. F356-R

Season	Daily CFS			Total Runoff (Acre-feet)	Peak Inflow	
	Maximum	Minimum	Mean		Date	CFS
1963-64	N.D.					
1964-65	2.8	0.0	0.0	13.9	Jun 24	78
1965-66	6.1	0.0	0.3	209.4	Mar 01	6
1966-67	44.0	0.0	0.9	670.6	Dec 06	194
1967-68	N.D.					
1968-69	N.D.					
1969-70	N.D.					
1970-71	N.D.					
1971-72	N.D.					
1972-73	N.D.					
1973-74	N.D.					
1974-75	5.1	0.0	0.1	77.8	Apr 08	5
1975-76	4.8	0.0	0.0	27.0	Apr 26	6
1976-77	2.3	0.0	0.0	30.9	Aug 17	4
1977-78	73.0	0.0	2.1	1,517.2	Mar 04	120
1978-79	4.4	0.0	0.9	655.5	Mar 30	5
1979-80	84.2	0.0	2.6	1,907.3	Feb 17	105
1980-81	2.8	0.0	0.3	218.6	Mar 03	4
1981-82	20.3	0.0	0.6	416.5	Mar 18	21
1982-83	45.0	0.0	0.0	1,779.6		
1983-84	2.3	0.0	0.6	449.7	Dec 05	3
1984-85	3.6	0.0	0.2	162.8		
1985-86	1.9	0.0	0.3	195.6	Mar 25	2
1986-87	1.0	0.0	0.0	37.5		
1987-88	6.4	0.0	0.0	69.2		
1988-89	5.3	0.0	0.1	93.6	Feb 14	8
1989-90	2.0	0.0	0.1	41.7	May 28	3
1990-91	4.3	0.0	0.3	200.3	Mar 04	5
1991-92	17.7	0.0	0.4	272.9	Feb 13	36
1992-93	48.2	0.0	2.4	1,705.8	Feb 22	80
1993-94	5.7	0.0	0.3	199.5	May 10	6
1994-95	29.8	0.0	1.5	1,058.4	Mar 06	103

M Data Missing
 * Record incomplete
 E Estimate
 N.D. Not determined
 ** Record not Computed
 + Less than 0.05 Acre Feet or less than 0.05 CFS, but greater than 0

RUNOFF – STREAM GAGING STATION PEAK FLOW

LIVE OAK CREEK *below* Live Oak Dam
 STATION NO. F356-R

Season	Daily CFS			Total Runoff (Acre-feet)	Peak Inflow	
	Maximum	Minimum	Mean		Date	CFS
1995-96	23.8	0.0	0.5	393.1	Feb 21	82
1996-97	6.6	0.0	0.5	349.1	Dec 17	25
1997-98	51*	0*	1.07*	773.87*	Feb 24	65
1998-99	9.0	0.0	0.1	104.1	Dec 08	30
1999-00	1.1*	0*	0.11*	77.85*	Jun 20	25
2000-01	20.0	0.0	0.2	120.0	Jul 10	61
2001-02	0.4	0.0	0.0	2.2	May 21	15

M	Data Missing
*	Record incomplete
E	Estimate
N.D.	Not determined
**	Record not Computed
+	Less than 0.05 Acre Feet or less than 0.05 CFS, but greater than 0

RUNOFF – STREAM GAGING STATION PEAK FLOW

LOS ANGELES RIVER *above* Arroyo Seco
STATION NO. F57C-R

Season	Daily CFS			Total Runoff (Acre-feet)	Peak Inflow	
	Maximum	Minimum	Mean		Date	CFS
1930-31	927.0	0.0	5.5	3,950	Feb 04	4,540
1931-32	2,520.0	0.0	21.0	15,240	Feb 08	3,020
1932-33	2,330.0	0.0	14.7	10,640	Jan 19	5,780
1933-34	5,990.0	0.0	41.2	29,810	Jan 01	22,000
1934-35	568.0	0.1	17.3	12,550	Apr 08	2,400E
1935-36	322.0	0.4	7.9	5,770	Mar 30	2,540
1936-37	1,670.0	0.4	33.8	24,470	Feb 06	2,410E
1937-38	27,900.0	0.6	183.0	132,600	Mar 02	68,000E
1938-39	1,950.0	3.8	58.5	42,360	Jan 05	3,710
1939-40	2,070.0	6.0	54.5	39,590	Jan 08	8,900
1940-41	6,700.0	4.2	228.0	165,000	Feb 20	11,900
1941-42	1,170.0	22.0	75.7	54,800	Dec 10	5,260
1942-43	7,120.0	15.0	172.0	124,400	Jan 23	23,900
1943-44	8,020.0	25.0	151.0	109,800	Feb 22	14,600
1944-45	1,160.0	6.5	51.1	36,990	Feb 02	4,900
1945-46	1,880.0	3.4	49.6	35,880	Dec 22	5,240
1946-47	896.0	1.6	43.3	31,330	Dec 25	5,320
1947-48	498.0	3.6	20.5	14,890	Mar 24	4,900
1948-49	451.0	4.2	24.3	17,600	Dec 17	1,530
1949-50	804.0	0.3	14.9	10,760	Feb 06	2,840
1950-51	487.0	0.5	10.8	7,840	Jan 11	3,600
1951-52	8,130.0	0.5	149.0	108,000	Jan 16	25,300
1952-53	1,370.0	0.6	25.5	18,480	Dec 20	7,270
1953-54	2,570.0	0.2	29.0	21,000	Feb 13	9,580
1954-55	1,510.0	0.2	25.2	18,270	Jan 18	6,850
1955-56	7,290.0	0.6	49.4	35,890	Jan 26	15,300
1956-57	2,390.0	0.2	34.4	24,890	Feb 23	22,200
1957-58	4,650.0	0.4	126.0	91,020	Feb 19	19,700
1958-59	3,790.0	0.2	27.6	20,230	Jan 06	17,200
1959-60	1,420.0	+	23.3	16,910	Jan 12	8,960
1960-61	1,690.0	+	16.6	12,000	Nov 05	7,890
1961-62	8,510.0	+	120.0	86,910	Feb 12	32,500

M	Data Missing
*	Record incomplete
E	Estimate
N.D.	Not determined
**	Record not Computed
+	Less than 0.05 Acre Feet or less than 0.05 CFS, but greater than 0

RUNOFF – STREAM GAGING STATION PEAK FLOW

LOS ANGELES RIVER *above* Arroyo Seco
STATION NO. F57C-R

Season	Daily CFS			Total Runoff (Acre-feet)	Peak Inflow	
	Maximum	Minimum	Mean		Date	CFS
1962-63	3,750.0	+	32.4	23,440	Feb 09	18,100
1963-64	1,950.0	+	27.9	20,320	Jan 22	12,200
1964-65	2,880.0	+	49.1	35,580	Apr 09	12,500
1965-66	12,600.0	0.1	149.0	107,500	Dec 29	32,000
1966-67	7,720.0	0.4	115.0	82,210	Nov 07	32,100
1967-68	4,780.0	3.4	82.2	59,710	Mar 08	30,900
1968-69	23,400.0	4.0	425.0	307,400	Jan 25	41,800
1969-70	2,760.0	6.9	65.6	47,520	Mar 04	17,000
1970-71	12,900.0	7.4	129.0	93,310	Nov 29	41,500
1971-72	4,830.0	5.4	64.3	46,690	Dec 27	15,900
1972-73	9,190.0	6.7	157.0	114,000	Jan 18	28,230
1973-74	12,480.0	5.8	123.0	88,900	Jan 07	24,540
1974-75	5,750.0	4.2	88.6	64,120	Dec 04	27,570
1975-76	3,230.0	2.7	54.7	39,720	Feb 09	13,900
1976-77	4,710.0	1.6	91.2	66,020	Jan 03	23,300
1977-78	22,700.0	5.4	506.5	366,663	Feb 10	52,700
1978-79	6,240.0	18.8	192.0	139,101	Mar 27	25,800
1979-80	16,800.0	11.0	428.6	303,340	Feb 16	52,200
1980-81	3,340.0	14.9	104.9	75,932	Jan 29	28,200
1981-82	5,870.0	11.0	137.4	99,441	Mar 14	22,800
1982-83	25,100.0	22.2	560.4	405,695	Jan 27	44,500
1983-84	4,030.0	23.0	96.2	69,861	Dec 25	17,000
1984-85	3,380.0	30.0	98.3	71,160	Dec 19	9,270
1985-86	5,110.0	59.0	214.2	155,103	Jan 31	25,400
1986-87	2,090.0	70.2	101.5	73,480	Nov 17	13,000
1987-88	No Record					
1988-89	No Record					
1989-90	No Record					
1990-91	No Record					
1991-92	20,200.0	3.7	463.0	320,800	Feb 12	45,700
1992-93	*	*	*	*		*
1993-94	*	*	*	*		*

M	Data Missing
*	Record incomplete
E	Estimate
N.D.	Not determined
**	Record not Computed
+	Less than 0.05 Acre Feet or less than 0.05 CFS, but greater than 0

RUNOFF – STREAM GAGING STATION PEAK FLOW

LOS ANGELES RIVER *above* Arroyo Seco
 STATION NO. F57C-R

Season	Daily CFS			Total Runoff (Acre-feet)	Peak Inflow	
	Maximum	Minimum	Mean		Date	CFS
1994-95	19,900.0	114.0	*	*	Mar 10	44,900
1995-96	*	*	*	*		*
1996-97	3,760.0	86.0	213.0	154,100	Dec 09	17,900
1997-98	13,900.0	88.0	479.0	346,700	Feb 23	37,800
1998-99	1,520.0	85.0	159.0	113,900	Jan 31	11,600
1999-00	4,370.0	82.0	196.0	142,200	Feb 23	25,200
2000-01	8,010.0	102.0	261.0	188,900	Jan 11	37,500
2001-02	2,542.6	65.1	166.7	120,658.6	Nov 24	20,272

M	Data Missing
*	Record incomplete
E	Estimate
N.D.	Not determined
**	Record not Computed
+	Less than 0.05 Acre Feet or less than 0.05 CFS, but greater than 0

RUNOFF – STREAM GAGING STATION PEAK FLOW

LOS ANGELES RIVER *below* Wardlow River Road
STATION NO. F319-R

Season	Daily CFS			Total Runoff (Acre-feet)	Peak Inflow	
	Maximum	Minimum	Mean		Date	CFS
1928-29	N.D.	N.D.	N.D.	9,340E	Mar 10	2,870E
1929-30	1,270.0	0.9	17.0	12,310	Mar 15	1,670
1930-31	1,390.0	0.0	19.9	14,400	Feb 03	3,700
1931-32	7,130.0	0.8	70.2	50,960	Feb 09	8,380
1932-33	3,310.0	0.3	31.6	22,890	Jan 19	8,710
1933-34	19,900.0	0.0	93.7	67,860	Jan 01	37,500
1934-35	2,930.0	1.6	55.9	40,470	Apr 08	11,000
1935-36	1,630.0	2.3	28.3	20,470	Feb 12	10,400
1936-37	6,800.0	3.3	126.0	91,110	Feb 14	20,500
1937-38	50,000.0	1.0	564.0	408,000	Mar 02	99,000E
1938-39	6,220.0	3.5	114.0	82,750	Sep 25	17,300
1939-40	2,830.0E	15.0	90.8	65,930	Feb 02	8,440
1940-41	11,120.0	18.0	510.0	369,500	Mar 04	18,170
1941-42	3,180.0	31.0	129.0	93,390	Dec 10	10,800
1942-43	18,100.0	28.0	366.0	264,900	Jan 23	37,900
1943-44	17,190.0	38.0	299.0	217,400	Feb 22	34,000
1944-45	3,020.0	33.0	138.0	100,200	Nov 12	11,600
1945-46	6,440.0	30.0	127.0	91,790	Dec 22	12,800
1946-47	5,750.0	18.0	146.0	106,000	Dec 26	18,810
1947-48	1,540.0	19.0	72.8	52,820	Mar 24	9,310
1948-49	1,790.0	13.0	61.3	44,350	Dec 17	5,520
1949-50	2,360.0	6.3	58.3	42,180	Feb 06	9,090
1950-51	1,610.0	5.6	50.6	36,600	Jan 29	9,040
1951-52	16,310.0	3.8	292.0	212,200	Jan 16	47,800
1952-53	2,932.0	1.9	61.4	44,490	Nov 15	21,100
1953-54	8,120.0	2.5	97.8	70,790	Feb 13	34,760
1954-55	4,180.0	2.2	83.0	60,120	Jan 18	17,750
1955-56	12,700.0	7.0	133.0	96,810	Jan 26	40,500
1956-57	4,550.0	5.5	67.3	48,710	Feb 23	23,000
1957-58	10,400.0	6.4	264.0	191,200	Feb 19	43,800
1958-59	6,340.0	7.2	68.2	49,390	Jan 06	31,000
1959-60	3,420.0	3.7	67.6	49,100	Jan 12	21,700

M	Data Missing
*	Record incomplete
E	Estimate
N.D.	Not determined
**	Record not Computed
+	Less than 0.05 Acre Feet or less than 0.05 CFS, but greater than 0

RUNOFF – STREAM GAGING STATION PEAK FLOW

LOS ANGELES RIVER *below* Wardlow River Road
 STATION NO. F319-R

Season	Daily CFS			Total Runoff (Acre-feet)	Peak Inflow	
	Maximum	Minimum	Mean		Date	CFS
1960-61	2,860.0	1.3	44.2	32,000	Jan 26	9,450
1961-62	14,800.0	0.6	245.0	177,400	Feb 12	42,200
1962-63	5,480.0	1.2	75.6	54,700	Feb 09	31,400
1963-64	4,150.0	5.3	64.8	47,020	Jan 22	16,000
1964-65	5,150.0	4.1	106.0	76,680	Apr 09	30,100
1965-66	22,500.0	3.0	342.0	247,900	Dec 29	61,500
1966-67	12,400.0	9.9	237.0	171,900	Nov 07	43,700
1967-68	13,600.0	18.0	173.0	125,800	Mar 08	48,900
1968-69	55,000.0	16.0	1,150.0	832,000	Jan 25	102,000
1969-70	5,300.0	22.0	128.0	92,070	Feb 28	5,300
1970-71	20,600.0	20.0	201*	145,300*	Nov 29	65,100
1971-72	8,550.0	17.0	106.0	77,560	Dec 24	28,700
1972-73	16,170.0	20.0	253.0	183,300	Feb 11	50,800
1973-74	17,200.0	17.0	190.0	137,800	Jan 07	42,800
1974-75	11,200.0	13.0	159.0	115,000	Dec 04	64,470
1975-76	4,660.0	11.5	102.0	72,670	Feb 09	16,020
1976-77	7,130.0	5.3	140.4	101,700	Jan 03	29,528
1977-78	42,323.0	11.0	923.0	668,337	Feb 10	94,800
1978-79	13,000.0	33.0	379.2	274,500	Mar 27	50,900
1979-80	33,437.0	39.0	887.9	544,632	Feb 16	128,700
1980-81	6,550.0	27.0	173.2	125,893	Jan 29	33,800
1981-82	11,400.0	32.0	246.2	178,227	Apr 01	26,800
1982-83	52,000.0	38.0	1,047.0	758,465	Mar 01	81,800
1983-84	6,530.0	41.0	166.8	120,740	Dec 25	22,300
1984-85	6,370.0	34.0	1,970.0	118,440	Dec 19	23,500
1985-86	13,600.0	51.4	338.0	244,741	Feb 15	54,400
1986-87	4,050.0	92.6	164.0	118,510	Nov 18	15,500
1987-88	8,230.0	85.0	242.8	176,277	Dec 04	48,900
1988-89	3,740.0	101.0	195.0	141,249	Dec 16	16,900
1989-90	12,100.0	115.0	196.0	141,594	Feb 17	25,600
1990-91	10,700.0	108.0	310.0	224,410	Feb 28	42,400
1991-92	23,800.0	110.0	668.0	484,849	Feb 12	66,400
1992-93	35,000.0	123.0	1,549.0	1,122,000	Feb 08	86,000

M Data Missing
 * Record incomplete
 E Estimate
 N.D. Not determined
 ** Record not Computed
 + Less than 0.05 Acre Feet or less than 0.05 CFS, but greater than 0

RUNOFF – STREAM GAGING STATION PEAK FLOW

LOS ANGELES RIVER *below* Wardlow River Road
 STATION NO. F319-R

Season	Daily CFS			Total Runoff (Acre-feet)	Peak Inflow	
	Maximum	Minimum	Mean		Date	CFS
1993-94	4,090.0	113.0	259.0	187,400	Mar 24	19,700
1994-95	43,900.0	92.5	1,022.0	740,000	Mar 11	113,000
1995-96	15,100.0	96.8	261.0	189,200	Feb 21	35,400
1996-97	7,390.0	91.0	299.0	216,300	Dec 09	28,600
1997-98	*	*	*	*		*
1998-99	M	*	*			M
1999-00	477.0*	164.0*	203.0*	24,560*		N.D.
2000-01	12,700.0	116.0	405.0	293,500	Jan 11	54,400
2001-02	3,837.8	105.1	185.8	131,061.3	Nov 24	28,837

M	Data Missing
*	Record incomplete
E	Estimate
N.D.	Not determined
**	Record not Computed
+	Less than 0.05 Acre Feet or less than 0.05 CFS, but greater than 0

RUNOFF – STREAM GAGING STATION PEAK FLOW

LOS ANGELES RIVER *below* Firestone Blvd.
STATION NO. F34D-R

Season	Daily CFS			Total Runoff (Acre-feet)	Peak Inflow	
	Maximum	Minimum	Mean		Date	CFS
1927-28	*	0.0	*	6990*	Feb 04	1120*
1928-29	775.0	0.0	13.6	9,830	Nov 14	2,010
1929-30	813.0	0.0	13.4	9,730	Mar 15	2,210
1930-31	1,560.0	1.4	18.6	13,450	Feb 04	4,360
1931-32	2,650.0	0.4	35.3	25,620	Feb 08	4,780
1932-33	2,900.0	0.0	23.5	17,020	Jan 19	7,070
1933-34	8,550.0	0.0	52.9	38,330	Jan 01	29,400
1934-35	1,430.0	0.0	40.3	29,170	Jan 05	10,400
1935-36	1,040.0	0.0	20.5	14,920	Feb 12	5,730
1936-37	3,460.0	0.0	67.2	48,630	Dec 30	10,000E
1937-38	40,000.0	0.0	278.0	201,300	Mar 02	79,000
1938-39	5,090.0E	0.0	108.0	78,440	Sep 25	10,800
1939-40	2,410.0	14.0E	80.5	58,420	Jan 08	7,610
1940-41	7,580.0	10.0	345.0	249,500	Feb 20	14,800
1941-42	2,030.0	27.0	97.8	70,820	Dec 10	8,210
1942-43	10,700.0	18.0	268.0	193,700	Jan 23	27,500
1943-44	13,000.0	38.0	249.0	180,900	Feb 22	24,800
1944-45	1,980.0	16.0	91.0	65,900	Feb 02	6,970
1945-46	4,000.0	8.4	95.8	69,310	Dec 22	12,500
1946-47	2,760.0	14.0	99.7	72,180	Dec 25	14,900
1947-48	1,280.0	10.0	52.8	38,350	Mar 24	8,980
1948-49	1,130.0	11.0	49.1	35,550	Dec 17	5,300
1949-50	1,770.0	8.5	43.9	31,760	Feb 06	8,480
1950-51	898.0	7.5	35.3	25,560	Jan 11	5,840
1951-52	12,000.0	1.8	249.0	180,500	Jan 16	32,900
1952-53	2,000.0	1.4	57.1	41,380	Nov 15	14,100
1953-54	4,190.0	1.2	70.9	51,330	Feb 13	19,500
1954-55	2,470.0	6.2	54.3	39,340	Jan 18	13,700
1955-56	12,000.0	8.2	91.5	66,440	Jan 26	28,900
1956-57	3,960.0	3.8	53.2	38,500	Feb 23	24,600
1957-58	6,290.0	4.3	191.0	138,400	Feb 19	34,100
1958-59	4,660.0	5.9	51.4	37,210	Jan 06	24,200

M Data Missing
 * Record incomplete
 E Estimate
 N.D. Not determined
 ** Record not Computed
 + Less than 0.05 Acre Feet or less than 0.05 CFS, but greater than 0

RUNOFF – STREAM GAGING STATION PEAK FLOW

LOS ANGELES RIVER *below* Firestone Blvd.
STATION NO. F34D-R

Season	Daily CFS			Total Runoff (Acre-feet)	Peak Inflow	
	Maximum	Minimum	Mean		Date	CFS
1959-60	2,090.0	4.0	43.6	31,610	Jan 12	10,700
1960-61	2,230.0	4.5	32.6	23,600	Nov 05	7,810
1961-62	9,630.0	3.8	170.0	123,300	Feb 12	28,400
1962-63	4,080.0	4.3	56.2	40,690	Feb 09	19,300
1963-64	2,810.0	2.6	49.6	36,030	Jan 21	11,400
1964-65	3,380.0	4.3	66.5	48,110	Apr 09	18,700
1965-66	15,700.0	4.3	209.0	151,200	Dec 29	37,000
1966-67	10,000.0	6.0	159.0	114,800	Nov 07	37,100
1967-68	9,410.0	13.0	116.0	84,240	Mar 08	37,400
1968-69	31,800.0	12.0	541.0	391,800	Jan 25	58,000
1969-70	4,250.0	13.0	90.4	65,440	Feb 28	20,900
1970-71	16,700.0	11.0	162.0	117,300	Nov 29	49,800
1971-72	6,980.0	14.0	86.6	62,890	Dec 24	27,400
1972-73	14,470.0	13.0	221.0	160,300	Jan 18	49,020
1973-74	15,690.0	10.6	157.0	113,600	Jan 07	32,300
1974-75	8,480.0	9.0	119.0	86,470	Dec 04	53,950
1975-76	3,390.0	6.0	68.0	48,400	Sep 10	8,160E
1976-77	5,550.0	5.4	115.0	83,300	Jan 03	30,900
1977-78	73,000.0	7.8	740.2	536,000	Feb 10	73,400
1978-79	*	*	*	*	Mar 27	*
1979-80	21,500.0	30.2	522.1	369,810	Feb 16	74,400
1980-81	3,870.0	26.6	128.4	93,065	Jan 29	33,600
1981-82	5,730.0	24.6	178.0	128,979	Mar 14	29,400
1982-83	32,400.0	33.7	729.0	527,837	Mar 01	58,400
1983-84	5,650.0	22.8	131.0	94,770	Dec 05	22,400
1984-85	4,560.0	33.7	127.6E	46,523		N.D.
1985-86	*	*	*	*		*
1986-87	*	*	*	*		*
1987-88	NO RECORD					
1988-89	*	*	*	*		*
1989-90	6,060.0	100.0	150.0	108,676	Feb 17	14,700
1990-91	7,850.0	99.0	243.0	178,822	Feb 27	37,300

M Data Missing
 * Record incomplete
 E Estimate
 N.D. Not determined
 ** Record not Computed
 + Less than 0.05 Acre Feet or less than 0.05 CFS, but greater than 0

RUNOFF – STREAM GAGING STATION PEAK FLOW

LOS ANGELES RIVER *below* Firestone Blvd.
STATION NO. F34D-R

Season	Daily CFS			Total Runoff (Acre-feet)	Peak Inflow	
	Maximum	Minimum	Mean		Date	CFS
1991-92	16,500.0	101.0	431.0	313,100	Feb 12	49,800
1992-93	17,000.0	111.0	740.0	536,100	Dec 07	60,400
1993-94	3,870.0	92.6	192.0	138,800	Feb 20	21,100
1994-95	24,200.0	96.5	487.0	352,800	Mar 11	74,300
1995-96	9,110.0	87.2	189.0	137,200	Feb 21	37,900
1996-97	6,170.0	98.0	232.0	168,000	Dec 09	29,900
1997-98	23,600.0	96.0	732.0	530,100	Feb 03	60,100
1998-99	4,100.0	88.0	241.0	174,200	Jan 31	20,500
1999-00	7,260.0	88.0	273.0	198,300	Feb 23	43,100
2000-01	10,100.0	88.0	345.0	250,100	Jan 11	49,600
2001-02	Unreliable	data			Nov 24	890

M	Data Missing
*	Record incomplete
E	Estimate
N.D.	Not determined
**	Record not Computed
+	Less than 0.05 Acre Feet or less than 0.05 CFS, but greater than 0

RUNOFF – STREAM GAGING STATION PEAK FLOW

LOS ANGELES RIVER @ Tujunga Avenue
STATION NO. F300-R

Season	Daily CFS			Total Runoff (Acre-feet)	Peak Inflow	
	Maximum	Minimum	Mean		Date	CFS
1950-51	181.0	2.6	12.3	8,910	Jan 29	598
1951-52	5,360.0	3.1	101.0	73,040	Jan 15	13,200
1952-53	851.0	6.5	27.1	19,610	Dec 01	2,900
1953-54	1,360.0	4.6	27.2	19,690	Feb 13	5,190
1954-55	842.0	5.7	30.4	22,000	Jan 10	4,560
1955-56	3,890.0	5.7	35.1	25,490	Jan 16	6,800
1956-57	1,300.0	4.5	27.2	19,700	Jan 13	6,060
1957-58	3,530.0	3.8	100.0	72,710	Apr 03	10,800
1958-59	2,080.0	4.8	29.2	21,180	Jan 06	12,800
1959-60	1,040.0	4.0	28.0	20,650	Jan 12	6,900
1960-61	1,010.0	3.2	18.3	13,260	Nov 05	6,600
1961-62	6,170.0	2.6	97.7	70,690	Feb 12	21,000
1962-63	2,200.0	4.0	34.1	24,690	Feb 09	8,700
1963-64	1,440.0	3.6	35.4	25,730	Jan 22	7,910
1964-65	2,020.0	5.0	50.4	36,490	Apr 09	7,840
1965-66	8,990.0	8.2	126.0	91,340	Dec 29	20,500
1966-67	5,860.0	5.2	83.3	60,320	Nov 07	21,000
1967-68	5,720.0	5.5	66.8	48,500	Mar 08	18,300
1968-69	19,100.0	4.8	355.0	256,800	Jan 25	30,800
1969-70	2,450.0	6.4	55.4	40,080	Mar 04	11,600
1970-71	9,170.0	7.0	95.4	69,090	Nov 29	25,900
1971-72	2,800.0	7.8	38.0	27,520	Dec 27	11,000
1972-73	6,470.0	5.5	101.0	73,100	Jan 18	17,900
1973-74	7,650.0	5.0	73.0	52,830	Jan 07	16,100
1974-75	3,570.0	5.0	57.1	41,310	Dec 04	16,740
1975-76	2,440.0	3.7	35.5	25,200	Feb 09	9,680
1976-77	2,920.0	1.5	50.9	36,850	Jan 03	15,300
1977-78	19,200.0	0.8	454.6	329,106	Feb 10	30,100
1978-79	5,210.0	5.5	136.0	98,301	Mar 27	22,500
1979-80	9,440.0	8.4	284.9	202,020	Feb 16	27,625
1980-81	2,600.0	10.0	77.7	56,220	Jan 29	17,940
1981-82	3,610.0	5.0	72.7	52,648	Mar 17	17,800

M	Data Missing
*	Record incomplete
E	Estimate
N.D.	Not determined
**	Record not Computed
+	Less than 0.05 Acre Feet or less than 0.05 CFS, but greater than 0

RUNOFF – STREAM GAGING STATION PEAK FLOW

LOS ANGELES RIVER @ Tujunga Avenue
STATION NO. F300-R

Season	Daily CFS			Total Runoff (Acre-feet)	Peak Inflow	
	Maximum	Minimum	Mean		Date	CFS
1982-83	19,580.0	5.7	416.8	301,711	Mar 01	27,625
1983-84	NO RECORD					
1984-85	1,820.0	8.1	47.4	34,312	Dec 18	6,740
1985-86	3,060.0	20.0	126.0	91,248	Jan 31	16,700
1986-87	*	*	*	*		*
1987-88	3,850.0	31.7	164.4	118,911	Oct 22	24,300
1988-89	1,460.0	59.8	103.4	74,960	Dec 24	5,140
1989-90	2,910.0	55.6	93.5	67,699	Feb 17	7,296
1990-91	3,130.0	14.4	113.7	82,553	Feb 27	13,500
1991-92	10,800.0	33.7	239.0	173,398	Feb 11	22,300
1992-93	10,600.0	51.9	416.0	301,300	Feb 07	25,700
1993-94	2,390.0	54.7	133.0	96,020		N.D.
1994-95	10,800.0	53.7	252.0	167,800	Mar 10	35,000
1995-96	3,110.0	51.0	117.0	84,630	Feb 21	13,000
1996-97	2,590.0	53.0	156.0	112,700	Dec 09	12,300
1997-98	11,900.0	63.0	420.0	304,200	Feb 23	30,500
1998-99	1,200.0	35.0	85.1	61,630	Jan 31	9,320
1999-00	1,200.0	35.0	85.1	61,630	Feb 23	9,320
2000-01	2,790.0	47.0	134.0	97,450	Jan 11	17,200
2001-02	1,489.4	26.6	90.5	65,515.0	Nov 24	12,815

M	Data Missing
*	Record incomplete
E	Estimate
N.D.	Not determined
**	Record not Computed
+	Less than 0.05 Acre Feet or less than 0.05 CFS, but greater than 0

RUNOFF – STREAM GAGING STATION PEAK FLOW

**MALIBU CREEK *below* Cold Creek
STATION NO. F130-R**

Season	Daily CFS			Total Runoff (Acre-feet)	Peak Inflow	
	Maximum	Minimum	Mean		Date	CFS
1930-31	*	*	*	1,920*	Feb 04	723
1931-32	1,770.0	+	20.2	14,670	Feb 09	3,100
1932-33	1,100.0	0.1	12.7	9,190	Jan 19	4,460
1933-34	3,160.0	0.1	17.1	12,370	Jan 01	9,650
1934-35	511.0	+	8.6	6,220		N.D.
1935-36	92.0	0.0	3.2	2,310	Feb 23	147
1936-37	1,680.0	0.0	33.1	23,940	Feb 14	2,760
1937-38	5,090.0E	0.2	47.1	34,100	Mar 02	10,000E
1938-39	139.0	0.0	6.4	4,630	Dec 20	331
1939-40	335.0	+	8.4	6,100	Feb 02	690
1940-41	2,200.0	0.1	101.0	73,220	Feb 20	3,620
1941-42	32.0	0.1	2.5	1,820	Dec 28	140
1942-43	5,370.0	0.1	65.8	47,600	Jan 22	12,200
1943-44	3,400.0	0.7	41.6	30,170	Feb 22	7,700
1944-45	210.0	0.2	5.8	4,240	Feb 02	516
1945-46	267.0	0.1	5.2	3,800	Mar 30	506
1946-47	142.0	0.1	5.3	3,820	Nov 13	980
1947-48	15.0	+	0.2	177.0	Mar 24	113
1948-49	0.6	+	0.1	90.0	May 18	1
1949-50	64.0	0.0	0.7	477.0	Feb 06	674
1950-51	0.3	0.0	0.1	56.0	Jan 11	3
1951-52	6,720.0	0.0	80.2	58,200	Mar 15	13,600
1952-53	81.0	+	4.0	2,940	Nov 15	322
1953-54	655.0	0.1	6.9	4,990	Feb 13	2,250
1954-55	16.0	0.1	1.0	758.0	Jan 18	45
1955-56	1,260.0	0.1	6.5	4,680	Jan 26	3,600
1956-57	12.0	+	0.6	444.0	Feb 23	46
1957-58	1,630.0	+	43.7	31,660	Apr 03	4,260
1958-59	114.0	0.1	2.1	1,510	Jan 06	3,180
1959-60	17.0	+	0.7	504.0	Apr 27	84
1960-61	2.0	+	0.1	99.0	Jan 26	8
1961-62	3,920.0	+	36.3	26,150	Feb 10	7,060

M	Data Missing
*	Record incomplete
E	Estimate
N.D.	Not determined
**	Record not Computed
+	Less than 0.05 Acre Feet or less than 0.05 CFS, but greater than 0

RUNOFF – STREAM GAGING STATION PEAK FLOW

**MALIBU CREEK *below* Cold Creek
STATION NO. F130-R**

Season	Daily CFS			Total Runoff (Acre-feet)	Peak Inflow	
	Maximum	Minimum	Mean		Date	CFS
1962-63	24.0	+	1.0	701.0	Mar 16	104
1963-64	17.0	+	0.5	384.0	Jan 22	65
1964-65	148.0	+	2.2	1,560	Apr 09	521
1965-66	7,060.0	0.2	51.8	37,520	Dec 29	20,600
1966-67	2,710.0	0.9	35.5	25,700	Jan 24	10,200
1967-68	1,350.0	1.0	18.5	13,430	Mar 08	3,830
1968-69	24,200.0	1.4	166.0	119,900	Jan 25	33,800
1969-70	368.0	0.5	9.9	7,200	Mar 04	1,150
1970-71	1,480.0	1.2	23.7	17,300	Dec 19	7,390
1971-72	582.0	0.9	6.0	4,340	Dec 27	2,120
1972-73	3,340.0	0.8	35.1	25,400	Feb 11	7,480
1973-74	2,240.0	2.7	22.0	15,910	Jan 07	5,100
1974-75	519.0	2.3	15.2	11,020	Dec 04	2,670
1975-76	163.0	1.1	5.4	3,910	Feb 09	339
1976-77	315.0	1.1	6.9	4,980	Jan 07	597
1977-78	7,620.0	1.7	112.4	80,990	Mar 04	19,400
1978-79	1,220.0	2.3	46.4	33,408	Mar 27	4,420
1979-80	*	*	*	*	Feb 16	*
1980-81	357.0	1.7	13.5	9,832	Mar 05	910
1981-82	400.0	2.2	13.9	10,031	Mar 17	676
1982-83	7,720.0	2.7	121.8	88,148	Mar 01	24,200
1983-84	758.0	2.5	24.1	17,411	Dec 25	1,840
1984-85	588.0	0.9	16.6	12,002	Dec 19	880
1985-86	1,480.0	1.4	39.3	27,881	Feb 15	5,880
1986-87	216.0	0.5	8.6	6,236	Nov 18	653
1987-88	559.0	0.6	24.0	17,337	Feb 28	1,680
1988-89	257.0	1.6	12.3	8,876	Feb 09	441
1989-90	*	*	*	*		*
1990-91	982.0	0.8	20.5	14,872	Mar 19	3,150
1991-92	5,850.0	2.0	92.7	67,330	Feb 10	23,300
1992-93	*	*	*	*		*
1993-94	880.0	0.9	16.7	11,090	Feb 20	2,450
1994-95	4,530.0	3.1	97.8	68,700	Mar 11	15,700

M Data Missing
 * Record incomplete
 E Estimate
 N.D. Not determined
 ** Record not Computed
 + Less than 0.05 Acre Feet or less than 0.05 CFS, but greater than 0

RUNOFF – STREAM GAGING STATION PEAK FLOW

MALIBU CREEK *below* Cold Creek
 STATION NO. F130-R

Season	Daily CFS			Total Runoff (Acre-feet)	Peak Inflow	
	Maximum	Minimum	Mean		Date	CFS
1995-96	637.0	1.5	12.9	9,395	Feb 21	1,220
1996-97	807.0	3.2	43.1	31,180	Dec 09	1,800
1997-98	4,020.0	2.4	113.0	81,700	Feb 07	19,100
1998-99	134.0	2.8	10.3	7,430	Apr 11	761
1999-00	701.0	1.4	22.6	16,440	Feb 23	2,380
2000-01	3,950.0	0.6	53.8	38,920	Mar 06	10,900
2001-02	93.3	0.9	10.6	7,670.1	Nov 24	413

M	Data Missing
*	Record incomplete
E	Estimate
N.D.	Not determined
**	Record not Computed
+	Less than 0.05 Acre Feet or less than 0.05 CFS, but greater than 0

RUNOFF – STREAM GAGING STATION PEAK FLOW

MESCAL CREEK @Mouth of Canyon
STATION NO. F395-R

Season	Daily CFS			Total Runoff (Acre-feet)	Peak Inflow	
	Maximum	Minimum	Mean		Date	CFS
1982-83*	72.0	0.0	5.2	3,795.0	Mar 01	120
1983-84	17.3	0.0	2.6	1,905.1	Dec 25	35
1984-85	1.6	0.0	0.2	139.6	Dec 27	8
1985-86	40.9	0.0	1.1	794.2	Feb 15	115
1986-87	1.7	0.0	0.1	39.1	Mar 07	8
1987-88	5.4	0.0	0.4	324.7		
1988-89	3.7	0.0	0.2	121.2	Mar 04	16
1989-90*	3.5	0.0	0.1	26.8		
1990-91	20.8	0.0	8.4	511.7		
1991-92*	59.7	0.0	2.1	1,235.0		
1992-93*	153.0	0.0	11.4	4,538.0		
1993-94	NO RECORD					
1994-95	69.3	0.0	3.0	2,184.0	Mar 05	132
1995-96*	13.6	0.0	0.5	369.0	Apr 08	127
1996-97	17.0	0.0	0.4	264.0	Jan 26	40
1997-98	71.0	0.0	4.2	3,050.0	Feb 23	174
1998-99	1.0	0.0	0.1	104.0	Jul 14	3
1999-00*	2.0	0.0	0.2	124.0	Feb 21	4
2000-01	14.0	0.0	1.3	952.0	May 21	15
2001-02	0.5	0.0	0.0	1.0	Nov 24	8

M Data Missing
 * Record incomplete
 E Estimate
 N.D. Not determined
 ** Record not Computed
 + Less than 0.05 Acre Feet or less than 0.05 CFS, but greater than 0

RUNOFF – STREAM GAGING STATION PEAK FLOW

**MINT CANYON CREEK @ Fitch Avenue
STATION NO. F328-R**

Season	Daily CFS			Total Runoff (Acre-feet)	Peak Inflow	
	Maximum	Minimum	Mean		Date	CFS
1957-58	66.0	0.0	0.6	435.0	Dec 15	708
1958-59	14.0	0.0	+	44.0	Jan 06	317
1959-60	0.3	0.0	+	2.0	Jan 10	8
1960-61	3.6	0.0	+	14.0	Nov 05	64
1961-62	49.0	0.0	0.4	257.0	Feb 11	176
1962-63	3.0	0.0	+	26.0	Sep 18	70
1963-64	13.0	0.0	0.1	45.0	Apr 01	111
1964-65	17.0	0.0	0.1	66.0	Apr 08	94
1965-66	71.0	0.0	0.8	588.0	Nov 17	684
1966-67	14.0	0.0	0.1	72.0	Dec 03	185
1967-68	13.0	0.0	+	34.0	Nov 19	251
1968-69	1,030.0	0.0	4.4	3,190	Feb 25	3,500
1969-70	5.0	0.0	0.1	25.0	Feb 28	46
1970-71	85.0	0.0	0.4	328.0	Nov 29	943
1971-72	5.9	0.0	0.1	35.0	Dec 27	60
1972-73	25.0	0.0	0.2	117.0	Feb 11	184
1973-74	2.8	0.0	+	13.0	Jan 07	11
1974-75	4.4	0.0	+	27.0	Mar 08	85
1975-76	12.0	0.0	0.1	46.0	Sep 05	389
1976-77	3.9	0.0	0.0	18.0	May 08	43
1977-78	*	*	*	*	Mar 04	*
1978-79	48.0	0.0	0.2	144.0	Mar 28	395
1979-80	119.4	0.0	1.7	1,201	Feb 16	415
1980-81	8.2	0.0	0.3	237.0	Jan 28	80
1981-82	22.6	0.0	8.6	483.0	Mar 17	157
1982-83	392.0	0.0	2.6	1,873	Mar 02	1,353
1983-84	1.8	0.0	0.2	202.0	Dec 25	6
1984-85	16.1	0.0	0.1	65.0	Dec 19	46
1985-86	59.7	0.0	9.9	302.0	Mar 16	188
1986-87	0.0	0.0	0.0	0.0		0
1987-88	8.8	0.0	0.1	46.0		N.D.
1988-89	19.0	0.0	0.2	131.0	Feb 09	71

M Data Missing
 * Record incomplete
 E Estimate
 N.D. Not determined
 ** Record not Computed
 + Less than 0.05 Acre Feet or less than 0.05 CFS, but greater than 0

RUNOFF – STREAM GAGING STATION PEAK FLOW

MINT CANYON CREEK @ Fitch Avenue
STATION NO. F328-R

Season	Daily CFS			Total Runoff (Acre-feet)	Peak Inflow	
	Maximum	Minimum	Mean		Date	CFS
1989-90	37.8	0.0	0.5	356.0		N.D.
1990-91	0.0	0.0	0.0	0.0		0
1991-92	*	*	*	*		*
1992-93	77.1	0.0	4.0	2,929	Mar 22	87
1993-94	1.5	0.0	0.5	392.0	Feb 04	2
1994-95	43.5*	0.1*	*	*	Jan 10	157
1995-96	60.4	0.0	0.7	478.0		*
1996-97	4.0	0.0	0.1	59.0	Jan 26	33
1997-98	276.0	0.0	1.5	1,080	Feb 23	1,560
1998-99	4.7	0.0	0.1	68.0	Oct 18	27
1999-00	40.0	0.0	0.3	219.0	Feb 23	167
2000-01	13.0	0.0	0.1	57.0	Feb 13	50
2001-02	0.7	0.0	0.0	9.1	Nov 24	3

M Data Missing
 * Record incomplete
 E Estimate
 N.D. Not determined
 ** Record not Computed
 + Less than 0.05 Acre Feet or less than 0.05 CFS, but greater than 0

RUNOFF – STREAM GAGING STATION PEAK FLOW

MONTEBELLO STORM DRAIN *outlet to Rio Hondo*
STATION NO. F181-R

Season	Daily CFS			Total Runoff (Acre-feet)	Peak Inflow	
	Maximum	Minimum	Mean		Date	CFS
1931-32	*	0.0	*	1,120*	Jan 31	531
1932-33	125.0	0.0	0.8	529.0	Jan 19	713
1933-34	391.0	0.0	2.6	1,910	Jan 01	1,360
1934-35	114.0	0.0	2.3	1,650	Jan 05	1,140
1935-36	55.0	0.0	1.2	889.0	Feb 14	374
1936-37	NO RECORD					
1937-38	N.D.	N.D.	N.D.	N.D.	Mar 02	1,400E
1938-39	147.0	0.0	1.4	981.0	Sep 25	688
1939-40	77.0	0.1	1.2	885.0	Feb 01	729
1940-41	204.0	0.1	5.6	4,090	Mar 03	936
1941-42	102.0	0.1	1.3	962.0	Dec 10	521
1942-43	300.0E	0.1	3.6	2,580		N.D.
1943-44	323.0E	0.1	3.3	2,390	Feb 22	1,040
1944-45	64.0	0.1E	0.8	768.0	Nov 11	506
1945-46	92.0	0.0	1.2	865.0	Dec 22	384
1946-47	144.0	0.1	1.9	1,350	Nov 13	1,240
1947-48	86.0	0.1	1.3	913.0	Dec 05	1,220
1948-49	41.0	0.1	1.2	861.0	Dec 17	347
1949-50	95.0	0.1	1.7	1,240	Jan 08	790
1950-51	50.0	0.1	1.2	888.0	Jan 10	333
1951-52	302.0	0.1	4.6	3,330	Mar 07	1,010
1952-53	97.0	0.1	2.0	1,430	Nov 15	770
1953-54	232.0	0.1	3.0	2,190	Feb 13	1,010
1954-55	*	*	*	1,210*	Jan 18	759
1955-56	463.0	+	2.9	2,110	Jan 26	856
1956-57	65.0	+	1.6	1,120	Feb 28	570
1957-58	199.0	+	4.5	3,250	Feb 19	865
1958-59	109.0	0.1	1.7	1,230	Jan 06	869
1959-60	96.0	0.1	2.1	1,530	Jan 12	784
1960-61	65.0	0.1	1.2	884.0	Nov 26	478
1961-62	225.0	0.1	4.6	3,370	Feb 12	783
1962-63	129.0	0.3	2.1	1,530	Mar 16	851

M	Data Missing
*	Record incomplete
E	Estimate
N.D.	Not determined
**	Record not Computed
+	Less than 0.05 Acre Feet or less than 0.05 CFS, but greater than 0

RUNOFF – STREAM GAGING STATION PEAK FLOW

MONTEBELLO STORM DRAIN *outlet to Rio Hondo*
 STATION NO. F181-R

Season	Daily CFS			Total Runoff (Acre-feet)	Peak Inflow	
	Maximum	Minimum	Mean		Date	CFS
1963-64	77.0	0.2	1.8	1,280	Nov 19	553
1964-65	124.0	+	2.7	1,970	Apr 09	844
1965-66	281.0	0.1	4.4	3,200	Dec 29	904
1966-67	288.0	0.2	4.9	3,560	Jan 24	1,060
1967-68	198.0	0.2	2.9	2,130	Mar 08	923
1968-69	424.0	0.2	8.5	6,165	Jan 25	1,600E
1969-70	135.0	+	2.4	1,740	Feb 10	792
1970-71	169.0	+	2.8	2,000	Nov 29	833
1971-72	142.0	0.2	1.6	1,160	Dec 24	637
1972-73	140.0	0.1	3.8	2,740	Feb 27	811
1973-74	128.0	+	1.4	988.0	Jan 07	546
1974-75	61.0	+	1.0	748.0	Dec 04	608
1975-76	39.0	+	0.8	603.0	Sep 11	240
1976-77	36.1	0.0	0.7	490.0	May 08	226
1977-78	318.0	0.0	4.2	3,050	Jan 16	991
1978-79	107.0	0.0	1.7	1,239	Mar 27	619
1979-80	809.0	0.0	9.6	6,759		N.D.
1980-81	52.8	0.0	0.7	515.0	Mar 02	293
1981-82	62.2	0.0	1.0	728.0	Nov 28	341
1982-83	630.0	0.0	6.0	4,319	Mar 01	1,620
1983-84	31.7	0.0	6.0	455.0	Oct 01	506
1984-85	43.5	0.0	0.9	644.0	Dec 19	469
1985-86	77.6	0.0	1.4	1,327	Feb 14	676
1986-87	38.6	0.0	0.5	391.0	Oct 02	520
1987-88	81.2	0.0	1.1	775.0	Jan 17	493
1988-89	30.3	0.1	1.0	726.0	Dec 21	255
1989-90	110.0	0.1	1.1	767.0	Feb 17	500
1990-91	74.8	0.0	1.3	907.0	Feb 27	486
1991-92	183.0	0.1	2.2	1,565	Feb 12	1,020
1992-93	204.0	0.0	4.6	3,364	Dec 07	1,040
1993-94	47.7	0.0	0.7	536.0	Mar 19	542
1994-95	131.0	0.0	4.0	2,896	Jan 10	1,340
1995-96	134.0	0.0	1.1	792.0	Feb 20	899

M Data Missing
 * Record incomplete
 E Estimate
 N.D. Not determined
 ** Record not Computed
 + Less than 0.05 Acre Feet or less than 0.05 CFS, but greater than 0

RUNOFF – STREAM GAGING STATION PEAK FLOW

MONTEBELLO STORM DRAIN *outlet to Rio Hondo*
 STATION NO. F181-R

Season	Daily CFS			Total Runoff (Acre-feet)	Peak Inflow	
	Maximum	Minimum	Mean		Date	CFS
1996-97	35.0	0.0	1.0	745.0	Jan 15	290
1997-98	60.0	+	1.7	1,230	Feb 06	658
1998-99	26.0	0.0	0.5	358.0	Nov 28	214
1999-00	124.0	0.1	1.8	1,270	Feb 23	254
2000-01	66.0	+	1.5	1,060	Jan 12	641
2001-02	29.8	0.0	0.4	297.9	Nov 24	472

M	Data Missing
*	Record incomplete
E	Estimate
N.D.	Not determined
**	Record not Computed
+	Less than 0.05 Acre Feet or less than 0.05 CFS, but greater than 0

RUNOFF – STREAM GAGING STATION PEAK FLOW

**PACOIMA CREEK FLUME *below* Pacoima Dam
STATION NO. F118B-R**

Season	Daily CFS			Total Runoff (Acre-feet)	Peak Inflow	
	Maximum	Minimum	Mean		Date	CFS
1931-32	75.0	0.0	11.7	8,408.8	Feb 16	75
1932-33	27.8	0.0	2.5	1,790.8	Apr 13	81
1933-34	39.7	0.1	3.9	2,543.5	Jan 26	54
1934-35	56.0	0.0	9.0	3,961.6	Aug 21	174
1935-36	57.0	0.0	4.2	3,021.2	May 13	153
1936-37	216.0	0.0	20.7	14,559.0	Mar 02	233
1937-38	339.0	0.0	33.1	22,739.1	Mar 02	685
1938-39	49.0	0.1	4.9	3,079.2	Jan 20	51
1939-40	123.0	0.1	4.5	3,177.9	Feb 04	169
1940-41	431.0	0.0	41.0	26,430.0	Mar 05	460
1941-42	25.0	0.0	3.5	1,986.6	Jul 15	97
1942-43	576.0	0.0	31.3	20,401.8	Jan 23	598
1943-44	305.0	0.0	21.0	15,136.5	Mar 02	326
1944-45	174.0	0.0	7.6	4,909.3	Feb 02	397
1945-46	137.0	0.0	8.3	2,904.0	Feb 05	241
1946-47	230.0	0.0	8.2	6,026.4	Jan 07	237
1947-48	6.4	0.0	0.4	322.5	Jun 22	10
1948-49	7.9	0.0	1.4	739.8	Jun 24	10
1949-50	98.0	0.0	1.4	1,020.7	Apr 11	314
1950-51	5.3	0.0	0.1	66.0	Jun 12	17
1951-52	416.0	0.0	19.6	14,350.4	Jan 18	634
1952-53	157.0	0.0	4.9	3,502.0	Nov 17	163
1953-54	229.0	0.0	4.1	2,941.9	Apr 05	292
1954-55	14.7	0.0	1.0	737.1	Apr 21	42
1955-56	5.2	0.0	1.7	1,251.8	Nov 23	66
1956-57	28.0	0.0	1.1	774.5	May 07	47
1957-58	N.D.					
1958-59	N.D.					
1959-60	3.7	0.0	0.4	268.8	Aug 02	4
1960-61	0.1	0.0	0.0	6.2		0
1961-62	160.0	0.0	9.2	6,340.4	Apr 07	511
1962-63	20.0	0.0	0.3	193.2	Sep 25	23

M	Data Missing
*	Record incomplete
E	Estimate
N.D.	Not determined
**	Record not Computed
+	Less than 0.05 Acre Feet or less than 0.05 CFS, but greater than 0

RUNOFF – STREAM GAGING STATION PEAK FLOW

PACOIMA CREEK FLUME *below* Pacoima Dam
 STATION NO. F118B-R

Season	Daily CFS			Total Runoff (Acre-feet)	Peak Inflow	
	Maximum	Minimum	Mean		Date	CFS
1963-64	19.3	0.0	0.9	666.8	Jun 15	117
1964-65	5.1	0.0	1.4	996.5	May 07	5
1965-66	480.0	0.0	20.9	15,184.1	Nov 23	664
1966-67	193.0	0.0	32.5	23,601.5	Jul 06	197
1967-68	N.D.					
1968-69	N.D.					
1969-70	N.D.					
1970-71	N.D.					
1971-72	N.D.					
1972-73	N.D.					
1973-74	N.D.					
1974-75	66.0	0.1	3.5	2,527.5	Dec 12	211
1975-76	63.8	0.1	2.2	1,613.6	Jun 15	66
1976-77	25.9	0.0	0.7	507.8	Apr 04	460
1977-78	1,029.0	0.0	54.7	39,723.8	Mar 04	39,724
1978-79	134.4	0.0	16.6	12,016.9		
1979-80	980.0	0.0	35.8	26,180.6	Feb 16	977
1980-81	124.0	0.0	4.7	3,438.5	Feb 05	134
1981-82	131.0	0.2	6.7	4,868.4	Mar 26	135
1982-83	2,044.0	0.2	61.4	44,490.0	Mar 01	3,941
1983-84	101.0	0.0	1.9	1,386.2	Jan 25	252
1984-85	170.0	0.0	4.8	3,466.9		
1985-86	110.0	0.0	9.8	7,083.0	May 27	245
1986-87	33.6	0.0	0.0	0.0		
1987-88	58.9	0.0	4.7	3,366.1		
1988-89	36.0	0.0	2.6	1,924.8	Dec 21	309
1989-90	93.5	0.0	0.7	675.0	Oct 11	308
1990-91	355.0	0.0	40.5	26,401.4		
1991-92	704.0	0.0	28.7	20,798.0	Feb 12	917
1992-93	688.0	0.0	69.8	50,500.0	Jan 13	745
1993-94*	71.3	0.0	4.2	774.0		
1994-95	N.D.					
1995-96	N.D.					

M Data Missing
 * Record incomplete
 E Estimate
 N.D. Not determined
 ** Record not Computed
 + Less than 0.05 Acre Feet or less than 0.05 CFS, but greater than 0

RUNOFF – STREAM GAGING STATION PEAK FLOW

PACOIMA CREEK FLUME *below* Pacoima Dam
 STATION NO. F118B-R

Season	Daily CFS			Total Runoff (Acre-feet)	Peak Inflow	
	Maximum	Minimum	Mean		Date	CFS
1996-97	174.0	0.6	7.5	5,430.0		
1997-98	1,020.0	0.0	43.8	31,700.0		
1998-99	38.0	0.0	2.9	2,100.0	Nov 19	196
1999-00	30.0	0.0	2.5	1,830.0	Jun 22	224
2000-01	54.0	0.0	3.7	2,710.0	Jun 05	188
2001-02	62.9	0.0	0.6	407.7	Oct 23	114

M	Data Missing
*	Record incomplete
E	Estimate
N.D.	Not determined
**	Record not Computed
+	Less than 0.05 Acre Feet or less than 0.05 CFS, but greater than 0

RUNOFF – STREAM GAGING STATION PEAK FLOW

**PACOIMA DIVERSION @ Branford Street
STATION NO. F305-R**

Season	Daily CFS			Total Runoff (Acre-feet)	Peak Inflow	
	Maximum	Minimum	Mean		Date	CFS
1953-54	116.0	0.0	1.4	975.9	Feb 13	508
1954-55	53.0	0.0	1.2	872.1	May 07	450
1955-56	194.0	0.0	1.6	1,122.8	Jan 26	622
1956-57	57.0	0.0	1.2	841.6	Jan 13	580
1957-58	326.0	0.0	8.9	6,390.1	Feb 04	1,380
1958-59	163.0	0.0	1.0	691.4	Jan 06	2,800
1959-60	46.0	0.0	1.0	689.7	Jan 11	666
1960-61	86.0	0.0	1.3	910.0	Nov 05	988
1961-62	104.0	0.0	1.4	988.2	Feb 11	2,960
1962-63	78.0	0.0	1.2	883.2	Apr 25	988
1963-64	150.0	0.0	1.5	1,116.1	Jan 22	2,550
1964-65	62.0	0.0	1.7	1,206.0	Apr 09	946
1965-66	614.0	0.0	8.6	6,144.2	Nov 17	4,800
1966-67	312.0	0.0	6.3	4,562.1	Jan 22	3,140
1967-68	N.D.					
1968-69	N.D.					
1969-70	N.D.					
1970-71	N.D.					
1971-72	N.D.					
1972-73	N.D.					
1973-74	N.D.					
1974-75	136.0	0.6	4.1	2,959.7	Mar 06	1,590
1975-76	107.0	0.7	2.8	2,039.2	Sep 05	2,580
1976-77	135.0	0.5	2.7	1,978.1	Jan 03	2,860
1977-78	3,200.0	0.6	704.1	42,305.5	Mar 04	3,730
1978-79	214.0	0.7	6.4	4,628.6	Mar 28	4,090
1979-80	1,180.0	0.6	8.3	17,147.5		
1980-81	162.0	0.0	3.0	2,145.5	Jan 29	3,790
1981-82	250.0	0.2	3.7	2,709.2	Mar 17	4,660
1982-83	4,280.0	0.0	60.8	44,045.2	Mar 01	10,900
1983-84	68.5	0.0	2.6	1,921.2	Oct 04	896
1984-85	65.0	0.1	1.5	1,103.6	Dec 18	1,270

M Data Missing
 * Record incomplete
 E Estimate
 N.D. Not determined
 ** Record not Computed
 + Less than 0.05 Acre Feet or less than 0.05 CFS, but greater than 0

RUNOFF – STREAM GAGING STATION PEAK FLOW

PACOIMA DIVERSION @ Branford Street
STATION NO. F305-R

Season	Daily CFS			Total Runoff (Acre-feet)	Peak Inflow	
	Maximum	Minimum	Mean		Date	CFS
1985-86	134.0	0.0	3.2	2,280.0	Jan 31	2,230
1986-87	141.0	0.0	2.9	2,118.9	Nov 17	2,260
1987-88	388.0	0.2	4.9	3,592.5	Oct 22	7,470
1988-89	772.0	0.7	3.6	2,639.4	Nov 14	740
1989-90	77.5	0.8	2.8	2,050.5	Feb 04	1,050
1990-91	M	M	M	M		M
1991-92	1,130.0	0.7	16.8	12,188.2	Feb 04	9,700
1992-93	1,420.0	0.5	55.3	40,071.1	Dec 07	6,470
1993-94	154.0	0.7	4.9	3,531.0	Dec 11	3,190
1994-95	1,250.0	0.0	18.8	13,621.3	Mar 10	7,250
1995-96	364.0	0.4	5.5	4,020.9	Feb 21	3,700
1996-97	225.0	1.3	7.0	5,052.3	Dec 22	4,700
1997-98	1,460.0	1.0	34.5	25,006.8	Feb 07	13,600
1998-99	108.0	1.8	6.4	4,622.3	Oct 29	3,350
1999-00*	169.0	2.3	6.1	4,390.0	Feb 20	3,740
2000-01	305.0	1.3	7.0	5,030.0	Jan 11	6,130
2001-02	167.0	0.9	3.2	2,316.2	Nov 24	5,895

M	Data Missing
*	Record incomplete
E	Estimate
N.D.	Not determined
**	Record not Computed
+	Less than 0.05 Acre Feet or less than 0.05 CFS, but greater than 0

RUNOFF – STREAM GAGING STATION PEAK FLOW

**PALLETT CREEK @ Valyermo Highway
STATION NO. F122-R**

Season	Daily CFS			Total Runoff (Acre-feet)	Peak Inflow	
	Maximum	Minimum	Mean		Date	CFS
1961-62	92.0	0.0	0.4	311.0	Feb 11	259
1962-63	0.7	0.0	0.3	190.0	Feb 09	3
1963-64	0.0	0.0	0.0	0.0		0
1964-65	0.3	0.0	+	1.0	Aug 12	16
1965-66	53.0	0.0	1.5	1,110	Dec 29	176
1966-67	3.8	0.3	0.8	618.0	Dec 06	7
1967-68	5.0	0.3	0.8	615.0	Nov 21	10
1968-69	770.0	0.3	7.8	5,640	Feb 25	1,480
1969-70	37.0	0.6	1.2	846.0	Feb 28	161
1970-71	183.0	0.1	1.0	744.0	Nov 29	839
1971-72	56.0	0.1	0.6	452.0	Dec 25	282
1972-73	6.5	+	0.2	156.0	Feb 11	24
1973-74	0.6	0.1	0.3	213.0	Dec 11	1
1974-75	1.6	0.0	0.2	140.0	Dec 04	10
1975-76	2.5	0.0	0.1	87.0	Sep 24	51
1976-77	2.5	0.0	0.1	39.0	May 08	10
1977-78	1,220	0.0	33.4	24,170	Feb 10	1,630
1978-79	156.0	0.6	5.9	4,312	Mar 29	191
1979-80	210.0	0.0	7.6	5,487	Feb 16	1,470
1980-81	15.8	0.0	1.7	1,193	Mar 01	60
1981-82	12.8	0.0	0.6	423.0	Apr 11	49
1982-83	454.0	0.0	11.9	8,626	Mar 01	831
1983-84	15.0	0.2	1.8	1,282	Jul 30	147
1984-85	11.6	0.0	0.4	292.0	Dec 27	14
1985-86	37.3	0.0	0.9	622.0	Jan 30	124
1986-87	1.5	0.0	0.4	264.0	Feb 25	3
1987-88	21.9	0.0	0.3	245.0		N.D.
1988-89	0.5	0.0	0.1	105.0	Dec 16	1
1989-90	0.0	0.0	0.0	0.0		0
1990-91	0.0	0.0	0.0	0.0		0
1991-92	240.0	0.0	4.9	3,570	Feb 12	670
1992-93	498.0	0.4	15.2	10,980	Feb 24	621

M	Data Missing
*	Record incomplete
E	Estimate
N.D.	Not determined
**	Record not Computed
+	Less than 0.05 Acre Feet or less than 0.05 CFS, but greater than 0

RUNOFF – STREAM GAGING STATION PEAK FLOW

**PALLETT CREEK @ Valyermo Highway
STATION NO. F122-R**

Season	Daily CFS			Total Runoff (Acre-feet)	Peak Inflow	
	Maximum	Minimum	Mean		Date	CFS
1993-94	2.0	0.2	1.0	645.0		N.D.
1994-95	133.0	0.0	6.8	4,934	Mar 11	579
1995-96	1.6	0.0	0.7	534.0	Jul 24	14
1996-97	0.4	0.0	0.1	90.0	Feb 08	0
1997-98	47.0	0.0	5.1	3,680	Feb 23	231
1998-99	2.6	0.1	0.9	655.0	Nov 28	6
1999-00	8.9	0.0	0.2	115.0	Feb 20	76
2000-01	3.8	0.0	0.7	513.0	Jan 02	45
2001-02	0.7	0.0	0.3	223.0	Nov 12	1

M	Data Missing
*	Record incomplete
E	Estimate
N.D.	Not determined
**	Record not Computed
+	Less than 0.05 Acre Feet or less than 0.05 CFS, but greater than 0

RUNOFF – STREAM GAGING STATION PEAK FLOW

RIO HONDO *below* Lower Azusa Avenue
 STATION NO. F192B-R

Season	Daily CFS			Total Runoff (Acre-feet)	Peak Inflow	
	Maximum	Minimum	Mean		Date	CFS
1931-32	*	*	*	12,710*		N.D.
1932-33	937.0	0.0	5.2	3,800	Jan 20	5,160
1933-34	2,700.0	0.0	11.2	8,110	Jan 01	5,860
1934-35	324.0	0.0	11.3	8,160	Apr 08	604
1935-36	114.0	0.0	4.7	3,400	Feb 11	391
1936-37	904.0	0.0	38.6	27,960	Feb 20	1,030
1937-38	10,500.0	0.0	241.0	174,300	Mar 02	31,000
1938-39	191.0	0.0	2.2	1,570	Jan 05	680
1939-40	224.0	0.0	5.0	3,640	Jan 07	288
1940-41	2,220.0	0.0	113.0	81,450	Mar 04	4,000
1941-42	214.0	0.1	2.7	1,980	Dec 10	254
1942-43	1,300.0	0.0	14.7	10,680	Jan 23	3,500
1943-44	502.0	0.3	15.9	11,600	Feb 22	1,080
1944-45	112.0	0.1	1.9	1,380	Nov 11	1,060
1945-46	267.0	0.0	18.0	13,030	Dec 23	483
1946-47	279.0	0.0	11.8	8,560	Nov 27	283
1947-48	570.0	0.0	7.2	5,250	Jun 07	584
1948-49	4.9	0.0	0.1	71.0	Feb 27	50
1949-50	24.0	0.0	0.3	203.0	Dec 18	124
1950-51	24.0	0.0	0.3	234.0	Jan 11	636
1951-52	753.0	0.0	8.7	6,340	Jan 16	2,180
1952-53	785.0	0.0	9.0	6,550	Nov 15	944
1953-54	654.0	0.0	14.9	10,800	Feb 13	1,740
1954-55	184.0	0.0	2.0	1,460	Jan 18	2,340
1955-56	1,020.0	0.0	4.0	2,940	Jan 26	3,030
1956-57	390.0	0.0	5.9	4,280	Feb 23	2,270
1957-58	735.0	0.0	32.6	23,610*	Feb 19	1,530
1958-59	218.0	0.0	1.8	1,290*	Jan 06	1,530
1959-60	30.0	0.0	0.4	303.0	Jan 12	185
1960-61	16.0	0.0	0.2	131.0	Nov 05	132
1961-62	630.0	0.0	13.1	9,460	Feb 12	856
1962-63	28.0	0.0	0.3	221.0	Mar 16	182

M Data Missing
 * Record incomplete
 E Estimate
 N.D. Not determined
 ** Record not Computed
 + Less than 0.05 Acre Feet or less than 0.05 CFS, but greater than 0

RUNOFF – STREAM GAGING STATION PEAK FLOW

RIO HONDO *below* Lower Azusa Avenue
STATION NO. F192B-R

Season	Daily CFS			Total Runoff (Acre-feet)	Peak Inflow	
	Maximum	Minimum	Mean		Date	CFS
1963-64	22.0	0.0	0.3	187.0	Jan 21	296
1964-65	32.0	0.0	0.5	340.0	Apr 09	397
1965-66	261.0	0.0	7.7	5,570	Nov 24	1,440
1966-67	175.0	0.0	14.7	10,620	Jan 22	438
1967-68	61.0	0.0	0.8	576.0	Mar 08	714
1968-69	4,380.0	0.0	100.0	72,550	Jan 25	10,600
1969-70	251.0	0.0	5.0	3,580	Mar 04	1,160
1970-71	95.0	0.0	4.2	3,060	Nov 29	446
1971-72	5.0	0.0	0.3	210.0	Dec 24	266
1972-73	270.0	0.0	14.5	10,520	Feb 27	2,390
1973-74	144.0	0.0	5.1	3,720	Jan 07	196
1974-75	54.0	+	0.7	538.0	Dec 04	643
1975-76	34.0	0.0	0.5	345.0	Sep 11	635
1976-77	22.5	0.0	0.5	393.0	May 09	230
1977-78	1,910.0	0.0	84.7	61,288	Mar 01	3,210
1978-79	163.0	0.0	19.7	14,291	Feb 21	311
1979-80	1,490.0	0.0	77.5	55,368	Feb 16	3,050
1980-81	237.0	0.0	17.8	13,060	Dec 16	3,070
1981-82	196.0	0.0	11.5	8,293	Sep 23	342
1982-83	350.0	0.0	66.3	48,030	Apr 18	350
1983-84	251.0	0.0	15.5	11,194	Nov 01	303
1984-85	12.5	0.0	0.2	175.0	Nov 08	216
1985-86	318.0	0.0	36.7	26,570	Feb 15	357
1986-87	24.7	0.0	0.2	171.0	Jan 04	296
1987-88	223.0	0.0	5.9	4,290	Dec 04	350
1988-89	12.7	0.0	2.8	173.0	Dec 15	109
1989-90	46.2	0.0	0.4	259.0	Feb 17	236
1990-91	388.0	0.0	11.3	7,831	Aug 01	356
1991-92	809.0	0.0	25.4	18,429	Feb 13	3,860
1992-93	1,010.0	0.0	65.6	47,470	Feb 19	3,190
1993-94	47.0	0.0	2.4	1,748	Dec 14	272
1994-95	803.0	0.0	33.8	24,500	Mar 11	3,210
1995-96	665.0	0.0	29.1	21,100	Feb 21	1,400

M Data Missing
 * Record incomplete
 E Estimate
 N.D. Not determined
 ** Record not Computed
 + Less than 0.05 Acre Feet or less than 0.05 CFS, but greater than 0

RUNOFF – STREAM GAGING STATION PEAK FLOW

RIO HONDO *below* Lower Azusa Avenue
 STATION NO. F192B-R

Season	Daily CFS			Total Runoff (Acre-feet)	Peak Inflow	
	Maximum	Minimum	Mean		Date	CFS
1996-97	250.0	0.0	15.8	11,400	Jan 26	634
1997-98	1,270.0	0.0	35.4	25,610	Feb 07	3,670
1998-99	125.0	0.0	3.2	2,290	Nov 08	348
1999-00	33.0	0.0	0.6	455.0	Apr 17	348
2000-01	37.0	0.0	0.5	391.0	Jan 11	318
2001-02	103.6	0.0	2.6	1,794.4	Nov 24	1,035

M	Data Missing
*	Record incomplete
E	Estimate
N.D.	Not determined
**	Record not Computed
+	Less than 0.05 Acre Feet or less than 0.05 CFS, but greater than 0

RUNOFF – STREAM GAGING STATION PEAK FLOW

RIO HONDO *above* Stuart and Gray Road
 STATION NO. F45B-R

Season	Daily CFS			Total Runoff (Acre-feet)	Peak Inflow	
	Maximum	Minimum	Mean		Date	CFS
1927-28	*	0.0	*	269*	Mar 06	4*
1928-29	248.0	0.0	3.4	2,460	Apr 04	912
1929-30	285.0	0.0	2.8	2,000	Mar 15	743
1930-31	335.0	0.0	2.6	1,900	Feb 04	841
1931-32	3,440.0	0.0	27.4	19,920	Feb 09	4,610
1932-33	971.0	0.0	6.2	4,450	Jan 19	2,730
1933-34	5,810.0	0.0	23.5	17,030	Jan 01	16,000
1934-35	667.0	0.0	8.3	6,000	Apr 08	3,450
1935-36	472.0	0.0	5.8	4,220	Feb 12	3,160
1936-37	1,460.0	0.0	37.1	26,870	Feb 14	4,800
1937-38	12,700.0	0.0	238.0	172,100	Mar 03	24,400E
1938-39	910.0	0.0	13.2	9,540	Dec 18	5,260
1939-40	442.0	0.0	6.7	4,850	Jan 08	1,930
1940-41	3,690.0	0.0	129.0	93,260	Mar 04	6,420
1941-42	564.0	0.0	9.3	6,730	Dec 10	4,240
1942-43	4,660.0	0.0	57.9	41,910	Jan 23	11,800
1943-44	2,570.0E	0.0	36.9	26,820	Feb 22	6,670
1944-45	492.0	0.0	11.7	8,460	Nov 11	4,500
1945-46	1,130.0	0.0	15.6	11,280	Dec 22	4,270
1946-47	923.0	0.0	22.1	16,030	Nov 13	5,950
1947-48	425.0	0.0	4.8	3,510	Mar 24	2,880
1948-49	268.0	0.0	2.1	1,490	Jan 20	713
1949-50	402.0	0.0	3.9	2,840	Jan 08	1,790
1950-51	135.0	0.0	1.1	781.0	Jan 29	1,080
1951-52	2,430.0	0.0	35.9	26,040	Jan 16	9,040
1952-53	571.0	0.0	4.8	3,450	Nov 15	4,600
1953-54	1,780.0	0.0	14.9	10,760	Feb 13	8,860
1954-55	753.0	0.0	11.1	8,000	Jan 18	4,160
1955-56	4,910.0	0.0	20.0	14,540	Jan 26	11,600
1956-57	967.0	0.0	6.4	4,640	Feb 23	6,560
1957-58	2,230.0	0.0	41.8	30,260	Feb 19	10,800
1958-59	915.0	0.0	5.4	3,900	Jan 06	11,000

M Data Missing
 * Record incomplete
 E Estimate
 N.D. Not determined
 ** Record not Computed
 + Less than 0.05 Acre Feet or less than 0.05 CFS, but greater than 0

RUNOFF – STREAM GAGING STATION PEAK FLOW

**RIO HONDO *above* Stuart and Gray Road
STATION NO. F45B-R**

Season	Daily CFS			Total Runoff (Acre-feet)	Peak Inflow	
	Maximum	Minimum	Mean		Date	CFS
1959-60	219.0	0.0	3.3	2,370	Jan 12	3,030
1960-61	115.0	0.0	1.2	831.0	Nov 26	2,090
1961-62	2,080.0	0.0	31.4	22,780	Feb 19	7,100
1962-63	620.0	0.0	4.5	3,280	Feb 09	4,240
1963-64	190.0	0.0	2.4	1,730	Jan 22	2,060
1964-65	1,130.0	0.0	7.3	5,310	Apr 09	8,780
1965-66	4,810.0	+	95.8	69,390	Dec 29	19,000
1966-67	5,210.0	+	26.6	21,530	Jan 24	20,100
1967-68	4,300.0	+	25.3	18,360	Mar 08	17,900
1968-69	23,100.0	+	424.0	307,100	Jan 25	46,900
1969-70	964.0	+	10.0	7,220	Feb 28	7,540
1970-71	2,430.0	+	13.1	9,520	Nov 29	9,350
1971-72	2,420.0	+	6.0	4,409	Dec 24	11,400
1972-73	2,550.0	+	21.9	15,860	Feb 11	15,180
1973-74	3,360.0	+	15.4	11,180	Jan 07	11,710
1974-75	303.0	+	9.5	6,910	Dec 04	13,250
1975-76	920.0	+	9.4	6,660	Sep 11	9,820
1976-77	619.0	0.0	6.9	5,020	Oct 23	2,890
1977-78	13,800.0	+	270.0	195,463	Mar 01	32,000
1978-79	4,600.0	0.5	46.5	33,662	Mar 27	25,600
1979-80	16,000.0	0.5	313.4	221,877	Feb 16	48,100
1980-81	2,050.0	0.0	13.2	9,539	Mar 01	13,500
1981-82	4,410.0	0.0	28.7	20,768	Nov 28	17,100
1982-83	20,600.0	0.0	236.5	172,592	Mar 01	38,400
1983-84	2,600.0	0.0	17.2	12,502	Oct 01	9,480
1984-85	1,400.0	0.0	14.1	10,216	Feb 09	7,130
1985-86	4,500.0	0.0	*	*	Feb 15	19,400
1986-87	1,730.0	0.1	8.6	6,256	Jan 04	10,000
1987-88	2,660.0	0.0	16.7	12,111	Jan 17	11,300
1988-89	1,280.0	0.1	12.4	8,967	Dec 21	6,050
1989-90	5,030.0	0.1	16.9	12,222	Feb 17	17,500
1990-91	3,880.0	0.0	34.1	24,720	Feb 27	19,600

M	Data Missing
*	Record incomplete
E	Estimate
N.D.	Not determined
**	Record not Computed
+	Less than 0.05 Acre Feet or less than 0.05 CFS, but greater than 0

RUNOFF – STREAM GAGING STATION PEAK FLOW

RIO HONDO *above* Stuart and Gray Road
 STATION NO. F45B-R

Season	Daily CFS			Total Runoff (Acre-feet)	Peak Inflow	
	Maximum	Minimum	Mean		Date	CFS
1991-92	6,930.0	0.1	56.7	41,160	Feb 12	32,000
1992-93	11,200.0	0.0	386.0	279,400	Feb 18	32,800
1993-94	260.0	0.0	10.0	7,222	Mar 19	4,240
1994-95	10,500.0	0.1	164.0	119,100	Jan 10	37,400
1995-96	6,320.0	0.0	40.3	29,240	Feb 20	20,200
1996-97	3,420.0	0.1	30.7	22,230	Jan 25	13,300
1997-98	9,700.0	0.0	178.0	129,200	Feb 08	34,700
1998-99	417.0	0.0	3.9	2,850	Nov 08	2,360
1999-00	2,960.0	+	*	*	Feb 23	14,600
2000-01	Under	Construct	since	May 2000.		
2001-02	*	*	*	*	Mar 17	421

M	Data Missing
*	Record incomplete
E	Estimate
N.D.	Not determined
**	Record not Computed
+	Less than 0.05 Acre Feet or less than 0.05 CFS, but greater than 0

RUNOFF – STREAM GAGING STATION PEAK FLOW

**RIO HONDO BYPASS - Zone One Ditch
STATION NO. F313B-R**

Season	Daily CFS			Total Runoff (Acre-feet)	Peak Inflow	
	Maximum	Minimum	Mean		Date	CFS
1953-54	138.0	0.0	12.0	7,232.5		
1954-55	169.0	0.0	19.6	9,750.0		
1955-56	172.0	0.0	23.5	14,983.5		
1956-57	168.0	0.0	27.5	19,964.8		
1957-58	175.0	0.0	18.4	13,371.4		
1958-59	N.D.					
1959-60	N.D.					
1960-61	N.D.					
1961-62	153.0	0.0	44.3	31,825.0		
1962-63	137.0	0.0	12.5	9,121.4		
1963-64	N.D.					
1964-65	N.D.					
1965-66	N.D.					
1966-67	N.D.					
1967-68	N.D.					
1968-69	N.D.					
1969-70	N.D.					
1970-71	N.D.					
1971-72	N.D.					
1972-73	N.D.					
1973-74	N.D.					
1974-75	145.0	0.0	46.8	33,879.9		
1975-76	169.0	0.0	27.1	19,669.7		
1976-77	138.0	0.0	7.8	5,640.8	Jan 05	182
1977-78	165.0	0.0	33.5	24,287.8	Sep 05	188
1978-79	184.0	0.0	63.6	46,015.3	Aug 04	187
1979-80	165.0	0.0	24.1	17,523.8	Oct 20	188
1980-81	134.0	0.0	67.9	49,193.1	Jan 11	185
1981-82	127.0	0.0	31.4	22,760.1	Oct 01	161
1982-83	91.6	0.0	7.9	5,750.1	Jan 16	93
1983-84	84.9	0.0	14.4	4,341.2	Dec 16	110
1984-85	150.0	0.0	52.5	38,014.2	Mar 27	185

M Data Missing
 * Record incomplete
 E Estimate
 N.D. Not determined
 ** Record not Computed
 + Less than 0.05 Acre Feet or less than 0.05 CFS, but greater than 0

RUNOFF – STREAM GAGING STATION PEAK FLOW

**RIO HONDO BYPASS - Zone One Ditch
STATION NO. F313B-R**

Season	Daily CFS			Total Runoff (Acre-feet)	Peak Inflow	
	Maximum	Minimum	Mean		Date	CFS
1985-86	183.0	0.0	16.5	11,946.2	Jan 25	190
1986-87	177.0	0.0	67.3	48,538.7	Mar 18	233
1987-88	178.0	0.0	40.3	29,307.8	May 24	184
1988-89	192.0	0.0	80.4	58,223.0	Jan 19	201
1989-90	193.0	0.0	78.4	56,728.9	Jan 25	271
1990-91	174.0	0.0	27.8	20,195.3	Oct 01	189
1991-92	116.0	0.0	24.3	17,613.2	Feb 12	360
1992-93	165.0	0.0	29.3	21,194.8	Feb 18	355
1993-94	155.0	1.3	48.6	35,157.8	Jan 25	203
1994-95	136.0	0.0	15.5	11,241.5	Jan 10	359
1995-96	111.0	0.0	30.6	22,231.9	Feb 20	318
1996-97*	184.0	0.0	34.6	25,060.8	Jun 13	200
1997-98	200.0	0.0	31.6	22,864.6	May 05	214
1998-99	122.0	0.0	35.7	25,854.0	Jan 27	216
1999-00*	182.0	0.0	51.8	37,608.9	May 11	192
2000-01	159.0	0.0	23.7	17,130.0	Apr 07	178
2001-02	174.3	0.0	68.0	49,258.9	Dec 19	198

M	Data Missing
*	Record incomplete
E	Estimate
N.D.	Not determined
**	Record not Computed
+	Less than 0.05 Acre Feet or less than 0.05 CFS, but greater than 0

RUNOFF – STREAM GAGING STATION PEAK FLOW

RUBIO DIVERSION CHANNEL *below* Gooseberry Inlet
 STATION NO. F338-R

Season	Daily CFS			Total Runoff (Acre-feet)	Peak Inflow	
	Maximum	Minimum	Mean		Date	CFS
1959-60	0.8	0.0	0.0	9.0	Jan 11	9
1960-61	0.8	0.0	0.0	6.0	Jan 26	5
1961-62	7.9	0.0	0.1	62.0	Feb 11	22
1962-63	2.6	0.0	0.0	20.0	Feb 10	32
1963-64	0.8	0.0	0.0	14.0	Jan 21	8
1964-65	1.0	0.0	0.0	30.0	Nov 09	21
1965-66	18.3	0.0	0.3	206.0	Dec 29	63
1966-67	12.5	0.0	0.2	127.0	Jan 22	43
1967-68	18.2	0.0	0.2	112.0	Nov 19	267
1968-69	254.0	0.0	4.2	3,050	Jan 25	880
1969-70	11.7	0.0	0.4	272.0	Feb 28	146
1970-71	36.0	0.0	0.6	413.0	Nov 29	266
1971-72	M	M	M	M		M
1972-73	58.0	+	1.5	1,098	Jan 18	114
1973-74	22.6	+	2.8	1,994	Nov 18	76
1974-75	11.0	+	0.9	627.0	Mar 06	85
1975-76	13.0	0.0	0.6	431.0	Feb 09	88
1976-77	4.8	0.0	0.5	384.0	May 09	47
1977-78	76.3	0.0	3.0	2,141	Mar 04	276
1978-79	5.0	0.0	0.7	494.0	Mar 28	71
1979-80	108.0	0.2	8.9	6,438	Feb 19	1,400
1980-81	13.3	0.4	3.6	2,598	May 02	115
1981-82	20.7	0.0	2.1	1,519	Apr 01	106
1982-83	150.0	0.2	3.1	2,391		296
1983-84	16.5	0.0	1.0	740.0	Oct 04	184
1984-85	9.8	0.0	0.5	332.0	Jan 18	31
1985-86	8.2	0.0	7.8	463.0		N.D.
1986-87	NO RECORD					
1987-88	9.0	0.0	0.7	526.0		N.D.
1988-89	6.0	0.0	0.9	631.0	Mar 25	6
1989-90	5.2	0.0	0.3	232.0		N.D.
1990-91	16.3	0.0	0.3	249.0	Mar 01	16
1991-92	45.4	0.0	2.2	1,592	Feb 10	191

M Data Missing
 * Record incomplete
 E Estimate
 N.D. Not determined
 ** Record not Computed
 + Less than 0.05 Acre Feet or less than 0.05 CFS, but greater than 0

RUNOFF – STREAM GAGING STATION PEAK FLOW

RUBIO DIVERSION CHANNEL *below* Gooseberry Inlet
 STATION NO. F338-R

Season	Daily CFS			Total Runoff (Acre-feet)	Peak Inflow	
	Maximum	Minimum	Mean		Date	CFS
1992-93	*	*	*	*		*
1993-94	*	*	*	*		*
1994-95	71.6	0.0	2.8	2,056	Feb 14	170
1995-96	41.2	0.0	1.6	1,139	Feb 20	131
1996-97	5.8	0.0	0.8	601.0	Sep 25	31
1997-98	9.8	0.0	1.5	1,050	Mar 02	106
1998-99	27.0	0.0	1.4	1,030	Mar 15	179
1999-00	6.0	0.2	0.5	360.0	Feb 16	94
2000-01	37.0	0.0	1.1	822.0	Jan 11	179
2001-02	3.2	0.0	0.4	202.6	Dec 20	89

M	Data Missing
*	Record incomplete
E	Estimate
N.D.	Not determined
**	Record not Computed
+	Less than 0.05 Acre Feet or less than 0.05 CFS, but greater than 0

RUNOFF – STREAM GAGING STATION PEAK FLOW

RUBIO WASH @ Glendon Way
 STATION NO. F82C-R

Season	Daily CFS			Total Runoff (Acre-feet)	Peak Inflow	
	Maximum	Minimum	Mean		Date	CFS
1930-31	107.0	0.0	1.5	1,110	Feb 03	1,690
1931-32	124.0	0.0	2.1	1,490	Nov 27	798
1932-33	234.0	0.0	1.5	1,110	Jan 16	1,510
1933-34	684.0	0.0	3.6	2,580	Dec 31	2,070
1934-35	134.0	0.0	2.4	1,770	Oct 17	1,680
1935-36	81.0	0.0	1.8	1,280	Feb 22	1,370
1936-37	186.0	0.0	3.9	2,800	Dec 27	1,180
1937-38	802.0	0.0	5.8	4,180	Mar 02	2,400E
1938-39	250.0	0.0	3.3	2,370	Jan 05	1,720
1939-40	122.0	0.0	2.4	1,270	Jan 07	1,000
1940-41	200.0	0.0	8.1	5,890	Mar 03	1,940
1941-42	130.0	0.0	2.1	1,530	Dec 10	1,200
1942-43	697.0	0.0	6.2	4,520	Mar 04	2,780
1943-44	393.0	0.0	4.4	3,190	Feb 22	1,930
1944-45	152.0	0.0	2.1	1,540	Nov 11	1,780
1945-46	244.0	0.0	2.5	1,840	Dec 22	1,630
1946-47	233.0	0.0	3.2	2,300	Nov 13	2,650
1947-48	91.0	0.0	1.5	1,080	Mar 24	2,090
1948-49	59.0	0.0	1.5	1,080	Oct 30	530
1949-50	161.0	0.0	2.3	1,690	Feb 06	1,060
1950-51	80.0	0.0	1.4	1,010	Jan 11	2,290
1951-52	335.0	0.0	7.3	5,300	Jan 16	3,020
1952-53	133.0	0.0	2.0	1,460	Nov 15	2,200
1953-54	288.0	+	3.4	2,490	Jan 19	2,310
1954-55	126.0	+	2.6	1,870	Jan 18	1,290
1955-56	639.0	0.0	4.0	2,880	Jan 26	1,970
1956-57	199.0	+	3.2	2,290	Feb 23	2,980
1957-58	286.0	0.1	7.7	5,610	Feb 19	2,740
1958-59	218.0	0.2	2.8	2,030	Jan 06	2,780
1959-60	135.0	0.2	2.5	1,820	Jan 11	985
1960-61	117.0	0.2	1.8	1,270	Nov 06	902
1961-62	281.0	0.1	5.7	4,120	Jan 20	1,200
1962-63	246.0	0.1	2.4	1,760	Feb 09	1,180

M Data Missing
 * Record incomplete
 E Estimate
 N.D. Not determined
 ** Record not Computed
 + Less than 0.05 Acre Feet or less than 0.05 CFS, but greater than 0

RUNOFF – STREAM GAGING STATION PEAK FLOW

RUBIO WASH @ Glendon Way
STATION NO. F82C-R

Season	Daily CFS			Total Runoff (Acre-feet)	Peak Inflow	
	Maximum	Minimum	Mean		Date	CFS
1963-64	136.0	0.2	2.6	1,870	Jan 21	1,570
1964-65	164.0	0.1	2.8	2,030	Apr 09	2,040
1965-66	466.0	0.1	6.4	4,650	Nov 24	2,300
1966-67	344.0	0.2	7.2	5,220	Dec 03	2,040
1967-68	343.0	0.2	4.0	2,930	Mar 08	2,460
1968-69	712.0	0.2	11.4	8,220	Jan 25	2,890
1969-70	**	**	**	**	Feb 28	2,540
1970-71	**	**	**	**	Nov 29	3,700
1971-72	**	**	**	**	Dec 24	1,240
1972-73	410.0	0.0	7.0*	5,041*	Feb 11	3,166
1973-74	460.0	0.2	5.5	3,950	Jan 07	1,985
1974-75	328.0	0.3	4.5	3,240	Dec 04	3,180
1975-76	373.0	0.2	4.1	2,920	Sep 10	2,070
1976-77	180.0	0.1	4.4	3,187	Oct 23	2,610
1977-78	531.0	0.0	12.9	9,340	Feb 10	*
1978-79	176.0	0.0	8.4	6,056	Feb 21	2,680
1979-80	781.0	0.0	11.8	8,372	Jan 29	4,594
1980-81	205.0	0.0	4.3	3,108	Mar 01	1,754
1981-82	186.0	0.0	4.0	2,890	Mar 17	1,650
1982-83	620.0	0.1	12.6	9,079	Mar 02	4,560
1983-84	165.0	0.1	2.8	1,976	Dec 25	1,680
1984-85	154.0	0.1	3.5	2,543	Dec 19	1,610
1985-86	212.0	0.1	6.1	4,445	Mar 08	2,090
1986-87	153.0	0.2	3.6	2,580	Oct 02	2,790
1987-88	246.0	0.0	4.3	3,113	Dec 04	3,620
1988-89	123.0	0.1	2.9	2,122	Dec 15	783
1989-90	341.0	0.3	4.5	3,249	Jan 16	1,560
1990-91	355.0	0.0	4.9	3,513	Mar 01	1,840
1991-92	287.0	0.0	5.7	4,115	Feb 12	2,540
1992-93	323.0	0.0	7.9	5,726	Jan 14	3,660
1993-94	105.0	0.0	2.3	1,640	Mar 24	1,970
1994-95	707.0	0.0	9.4	6,777	Mar 11	4,610
1995-96	656.0	0.0	7.5	5,464	Jan 31	5,010

M Data Missing
 * Record incomplete
 E Estimate
 N.D. Not determined
 ** Record not Computed
 + Less than 0.05 Acre Feet or less than 0.05 CFS, but greater than 0

RUNOFF – STREAM GAGING STATION PEAK FLOW

RUBIO WASH @ Glendon Way
 STATION NO. F82C-R

Season	Daily CFS			Total Runoff (Acre-feet)	Peak Inflow	
	Maximum	Minimum	Mean		Date	CFS
1996-97	156.0	0.0	3.9	2,790	Jan 15	1,180
1997-98	438.0	0.0	9.1	6,590	Feb 06	4,030
1998-99	79.0	0.0	2.2	1,560	Nov 28	2,430
1999-00	218.0	0.1	5.6	4,030	Feb 21	2,710
2000-01	249.0	0.6	5.7	4,120	Jan 11	1,670
2001-02	186.3	0.4	3.0	2,187.3	Nov 24	3,553

M	Data Missing
*	Record incomplete
E	Estimate
N.D.	Not determined
**	Record not Computed
+	Less than 0.05 Acre Feet or less than 0.05 CFS, but greater than 0

RUNOFF – STREAM GAGING STATION PEAK FLOW

SAN DIMAS CREEK *below* San Dimas Dam
 STATION NO. F303-R

Season	Daily CFS			Total Runoff (Acre-feet)	Peak Inflow	
	Maximum	Minimum	Mean		Date	CFS
1951-52	171.0	0.0	6.4	4,661.2	Mar 16	292
1952-53	6.1	0.1	1.5	1,115.5	Jul 06	7
1953-54	61.0	0.0	2.1	1,539.0	Jan 25	161
1954-55	6.1	0.0	0.8	563.3	Nov 16	175
1955-56	40.0	0.0	1.1	816.1	Jan 26	54
1956-57	5.0	0.0	0.6	435.2		5
1957-58	220.0	0.0	9.1	6,525.2	Apr 03	270
1958-59	19.0	0.0	1.8	1,260.9	Feb 18	20
1959-60	5.9	0.0	0.7	483.5	Aug 25	6
1960-61	17.1	0.0	0.4	292.3	Aug 01	20
1961-62	136.0	0.0	3.9	2,728.0	Dec 03	215
1962-63	83.0	0.0	1.5	1,104.3	Feb 09	404
1963-64	24.0	0.0	1.0	752.3		
1964-65	49.0	0.1	1.7	1,195.6	Apr 09	133
1965-66	242.0	0.1	8.8	6,332.0	Nov 23	500
1966-67	516.0	0.0	15.9	11,533.9	Dec 06	1,190
1967-68	N.D.					
1968-69	N.D.					
1969-70	N.D.					
1970-71	N.D.					
1971-72	N.D.					
1972-73	N.D.					
1973-74	N.D.					
1974-75	18.0	0.2	2.2	1,565.2	May 13	36
1975-76	9.3	0.1	1.3	926.3	Mar 22	14
1976-77	26.0	0.0	1.6	1,135.1	Apr 06	58
1977-78	703.0	0.0	0.8	18,359.4	Mar 04	938
1978-79	227.0	0.2	0.3	7,354.5	Mar 28	102
1979-80	894.0	0.1	0.0	0.0		
1980-81	26.1	0.3	4.4	3,216.6	Dec 01	27
1981-82	100.0	0.1	5.1	3,700.6	Mar 17	201
1982-83	5,840.0	0.4	24.0	17,376.2	Mar 01	883

M Data Missing
 * Record incomplete
 E Estimate
 N.D. Not determined
 ** Record not Computed
 + Less than 0.05 Acre Feet or less than 0.05 CFS, but greater than 0

RUNOFF – STREAM GAGING STATION PEAK FLOW

SAN DIMAS CREEK *below* San Dimas Dam
STATION NO. F303-R

Season	Daily CFS			Total Runoff (Acre-feet)	Peak Inflow	
	Maximum	Minimum	Mean		Date	CFS
1983-84	37.0	0.2	6.0	4,322.4	Feb 28	53
1984-85	48.2	0.4	3.5	2,561.1	Jun 04	51
1985-86	56.3	0.0	3.3	2,415.3		
1986-87	9.3	0.0	0.9	616.1	Jan 04	23
1987-88	31.0	0.4	1.7	1,253.2		
1988-89	98.7	0.1	2.0	1,400.9	May 10	248
1989-90	50.2	0.0	0.5	365.0	Jun 08	198
1990-91	20.1	0.1	3.2	2,352.0	Oct 23	229
1991-92	136.0	0.0	5.3	3,830.5	Mar 24	150
1992-93	587.0	0.3	33.7	24,415.1	Jan 18	651
1993-94	22.2	0.3	3.3	2,389.3	Oct 27	130
1994-95	177.0	0.4	14.0	10,127.2	Mar 06	248
1995-96	73.1	0.5	5.7	4,111.1	Feb 22	78
1996-97	100.0	0.2	4.1	2,976.6	Apr 01	107
1997-98	271.0	0.4	16.3	11,836.8	Feb 24	452
1998-99	64.0	0.0	5.1	3,723.6	May 20	104
1999-00*	7.4	0.0	0.6	457.4	Jun 26	36
2000-01	41.0	0.0	2.2	1,570.0	May 15	293
2001-02	22.7	0.0	0.6	464.9	May 15	242

M	Data Missing
*	Record incomplete
E	Estimate
N.D.	Not determined
**	Record not Computed
+	Less than 0.05 Acre Feet or less than 0.05 CFS, but greater than 0

RUNOFF – STREAM GAGING STATION PEAK FLOW

SAN DIMAS WASH *below* Puddingstone Diversion
 STATION NO. F218-R

Season	Daily CFS			Total Runoff (Acre-feet)	Peak Inflow	
	Maximum	Minimum	Mean		Date	CFS
1945-46	22.0	0.0	0.3	246.7	Apr 04	42
1946-47	9.8	0.0	0.7	483.6	Dec 27	10
1947-48	N.D.					
1948-49	N.D.					
1949-50	N.D.					
1950-51	N.D.					
1951-52	23.0	0.0	1.1	781.1	Mar 17	23
1952-53	N.D.					
1953-54	12.2	0.0	0.3	244.0	Feb 14	12
1954-55	N.D.					
1955-56	8.4	0.0	0.1	92.6	Jan 27	16
1956-57	N.D.					
1957-58	12.0	0.0	1.6	1,112.5	Mar 28	19
1958-59	5.4	0.0	0.1	48.8	Feb 12	7
1959-60	N.D.					
1960-61	14.4	0.0	0.1	72.4	Jul 21	15
1961-62	3.4	0.0	0.1	50.8	Apr 06	43
1962-63	9.7	0.0	0.4	286.0	Oct 25	16
1963-64	16.9	0.0	0.1	67.2	Apr 10	46
1964-65	18.5	0.0	0.5	334.0	May 11	35
1965-66	34.0	0.0	4.6	3,329.7	Jan 04	35
1966-67	11.8	0.0	2.9	2,097.7	Feb 13	44
1967-68	N.D.					
1968-69	N.D.					
1969-70	N.D.					
1970-71	N.D.					
1971-72	N.D.					
1972-73	N.D.					
1973-74	N.D.					
1974-75	18.5	0.0	1.1	785.9	Feb 18	30
1975-76	10.2	0.0	0.5	332.8	Mar 01	11
1976-77	16.8	0.0	0.0	0.0		

M Data Missing
 * Record incomplete
 E Estimate
 N.D. Not determined
 ** Record not Computed
 + Less than 0.05 Acre Feet or less than 0.05 CFS, but greater than 0

RUNOFF – STREAM GAGING STATION PEAK FLOW

SAN DIMAS WASH *below* Puddingstone Diversion
STATION NO. F218-R

Season	Daily CFS			Total Runoff (Acre-feet)	Peak Inflow	
	Maximum	Minimum	Mean		Date	CFS
1977-78	31.6	0.0	9.1	6,621.4	Apr 28	40
1978-79	18.0	0.0	0.2	4,827.2	Dec 19	22
1979-80	26.5	0.0	6.9	4,966.2	Mar 29	28
1980-81	20.3	0.0	2.6	1,879.3	Feb 04	25
1981-82	27.0	0.0	3.4	2,445.6	Dec 09	40
1982-83	35.4	0.0	0.4	8,301.6	May 12	37
1983-84	22.3	0.0	0.1	2,884.2		
1984-85	21.0	0.0	1.8	1,281.9	Dec 27	22
1985-86	42.7	0.0	1.4	994.7	Mar 17	43
1986-87	6.9	0.0	0.5	702.5	Jan 05	16
1987-88	11.9	0.0	1.0	774.3	Jul 05	16
1988-89	13.8	0.0	1.0	691.2	Feb 04	16
1989-90	14.1	0.0	0.2	126.5	Jun 11	20
1990-91	19.1	0.0	2.8	2,012.0	Mar 06	21
1991-92	14.6	0.0	3.3	2,375.0	Apr 20	18
1992-93	19.1	0.0	4.5	3,225.0	Jan 11	27
1993-94	14.7	0.0	2.1	1,497.0	Feb 22	15
1994-95	21.1	0.0	7.7	5,554.0	Mar 30	23
1995-96	33.7	0.0	3.5	2,573.0	Feb 21	40
1996-97	35.0	0.0	2.7	1,980.0	Jan 28	36
1997-98	33.0	0.0	5.5	3,960.0	Feb 08	37
1998-99	25.0	0.0	1.8	1,290.0	Apr 22	30
1999-00	35.0	0.0	0.8	553.0	Jun 14	39
2000-01	27.0	0.0	1.1	819.0	Jun 03	29
2001-02	7.8	0.0	0.1	67.2	Jun 11	17

M	Data Missing
*	Record incomplete
E	Estimate
N.D.	Not determined
**	Record not Computed
+	Less than 0.05 Acre Feet or less than 0.05 CFS, but greater than 0

RUNOFF – STREAM GAGING STATION PEAK FLOW

**SAN GABRIEL RIVER *below* Santa Fe Dam
STATION NO. E281-R**

Season	Daily CFS			Total Runoff (Acre-feet)	Peak Inflow	
	Maximum	Minimum	Mean		Date	CFS
1942-43	6,700.0	0.0	242.0	175,100.0	Jan 23	8,000
1943-44	2,550.0	0.0	133.0	96,890.0	Feb 22	3,480
1944-45	783.0	0.0	14.0	10,140.0	Feb 02	960
1945-46	1,140.0	0.0	45.0	32,560.0	Dec 23	1,600
1946-47	2,550.0	0.0	53.3	38,600.0	Dec 31	2,580
1947-48	809.0	0.0	11.2	8,120.0	Jun 04	822
1948-49	0.0	0.0	0.0	0.0		
1949-50	0.0	0.0	0.0	0.0		
1950-51	0.0	0.0	0.0	0.0		
1951-52	838.0	0.0	45.2	32,800.0	Jan 17	861
1952-53	488.0	0.0	23.5	16,990.0	Oct 30	598
1953-54	0.0	0.0	0.0	0.0		
1954-55	0.0	0.0	0.0	0.0		
1955-56	0.0	0.0	0.0	0.0		
1956-57	0.0	0.0	0.0	0.0		
1957-58	944.0	0.0	126.0	91,530.0	Apr 05	1,210
1958-59	342.0	0.0	12.4	9,000.0	Feb 24	606
1959-60	3.3	0.0	0.2	15.0	Feb 02	7
1960-61	0.0	0.0	0.0	0.0		
1961-62	437.0	0.0	46.2	33,450.0	Feb 13	728
1962-63	0.0	0.0	0.0	0.0		
1963-64	24.0	0.1	1.0	754.0		
1964-65	0.0	0.0	0.0	0.0		
1965-66	6,000.0	0.0	133.0	96,200.0	Nov 23	11,000
1966-67	597.0	0.0	62.1	44,930.0	Mar 23	614
1967-68	2.8	0.0	+	5.5	Nov 29	30
1968-69	26,000.0	0.0	540.0	391,200.0	Jan 26	30,900
1969-70	263.0	0.0	13.3	9,600.0	Mar 04	458
1970-71	116.0	0.0	6.5	4,721.5	Dec 17	116
1971-72	12.0	0.0	0.2	182.0	Dec 12	25
1972-73	310.0	0.0	32.6	23,330.8	Mar 22	340
1973-74	85.0	0.0	1.4	1,007.4	Apr 15	146
1974-75	No Data	from 1975	to 1998			

M Data Missing
 * Record incomplete
 E Estimate
 N.D. Not determined
 ** Record not Computed
 + Less than 0.05 Acre Feet or less than 0.05 CFS, but greater than 0

RUNOFF – STREAM GAGING STATION PEAK FLOW

SAN GABRIEL RIVER *below* Santa Fe Dam
 STATION NO. E281-R

Season	Daily CFS			Total Runoff (Acre-feet)	Peak Inflow	
	Maximum	Minimum	Mean		Date	CFS
1998-99	251.0	0.0	7.2	5,240.0		N.D.
1999-00	61.0	0.0	7.4	5,380.0	May 12	129
2000-01	129.0	0.0	0.8	611.0	Feb 12	306
2001-02	394.0	0.0	3.8	2,791.0	Nov 24	903

M	Data Missing
*	Record incomplete
E	Estimate
N.D.	Not determined
**	Record not Computed
+	Less than 0.05 Acre Feet or less than 0.05 CFS, but greater than 0

RUNOFF – STREAM GAGING STATION PEAK FLOW

**SAN GABRIEL RIVER *below* Valley Blvd.
STATION NO. F261C-R**

Season	Daily CFS			Total Runoff (Acre-feet)	Peak Inflow	
	Maximum	Minimum	Mean		Date	CFS
1938-39	125.0	0.4	8.0	5,790		N.D.
1939-40	125E	0.2	1.8	1,320		N.D.
1940-41	1,300.0	0.2	73.9	53,500		N.D.
1941-42	4.0	0.0	2.2	1,560		N.D.
1942-43	8,000.0	0.0	221.0	160,300	23-Jan-43	9,350
1943-44	2,720.0	0.6	83.0	60,290	22-Feb-44	5,950
1944-45	650.0	0.1	10.5	7,570		N.D.
1945-46	990.0	0.0	11.9	8,640	23-Dec-45	1,470
1946-47	2,400.0	0.0	30.3	21,940		N.D.
1947-48	0.0	0.0	0.0	0		0
1948-49	0.0	0.0	0.0	0		0
1949-50	0.0	0.0	0.0	0		0
1950-51	0.0	0.0	0.0	0		0
1951-52	NO RECORD					
1952-53	NO RECORD					
1953-54	NO RECORD					
1954-55	NO RECORD					
1955-56	NO RECORD					
1956-57	NO RECORD					
1957-58	NO RECORD					
1958-59	NO RECORD					
1959-60	NO RECORD					
1960-61	306.0	0.0	*	34500*	26-Jan-61	1,200
1961-62	1,000.0	0.0	193.0	139,500	20-Nov-61	7,500
1962-63	566.0	0.0	78.6	56,900	16-Mar-63	3,500
1963-64	358.0	0.0	70.6	51,290	22-Jan-64	2,500E
1964-65	792.0	0.0	123.0	89,150	09-Apr-65	5,890
1965-66	5,960.0	0.0	164.0	118,600	23-Nov-65	11,300
1966-67	1,440.0	0.0	66.3	48,000	24-Jan-67	7,880
1967-68	1,060.0	0.0	26.3	19,060	08-Mar-68	6,500
1968-69	23,900.0	0.0	591.0	428,000	25-Jan-69	40,000E

M Data Missing
 * Record incomplete
 E Estimate
 N.D. Not determined
 ** Record not Computed
 + Less than 0.05 Acre Feet or less than 0.05 CFS, but greater than 0

RUNOFF – STREAM GAGING STATION PEAK FLOW

**SAN GABRIEL RIVER *below* Valley Blvd.
STATION NO. F261C-R**

Season	Daily CFS			Total Runoff (Acre-feet)	Peak Inflow	
	Maximum	Minimum	Mean		Date	CFS
1969-70	782.0	0.0	60.6	43,870	28-Feb-70	4,470
1970-71	964.0	0.0	78.0	56,430	21-Dec-70	2,970
1971-72	1,000.0	0.0	4.7	34,140	24-Dec-71	5,120
1972-73	1,210.0	0.0	130.0	93,880	16-Jan-73	5,810
1973-74	1,520.0	0.0	127.0	92,070	07-Jan-74	3,340
1974-75	812.0	0.0	62.2	45,000	04-Dec-74	8,610
1975-76	516.0	0.0	70.4	50,920	10-Sep-76	2,690
1976-77	717.0	0.0	29.7	21,523	03-Jan-77	5,458
1977-78	16,500.0	0.0	471.0	340,714	05-Mar-78	25,700
1978-79	1,190.0	0.0	114.7	83,030	27-Mar-79	7,800
1979-80	11,870.0	0.0	326.9	245,503		N.D.
1980-81	850.0	0.0	24.4	17,694	29-Jan-81	4,200
1981-82	1,480.0	0.0	62.4	45,186	14-Mar-82	6,720
1982-83	19,000.0	0.0	269.4	195,060	02-Mar-83	24,100
1983-84	879.0	0.0	44.4	32,212	01-Oct-84	4,980
1984-85	511.0	0.0	64.1	46,405	16-Dec-84	5,160
1985-86	893.0	0.0	51.7	37,446	08-Mar-86	7,350
1986-87	1,040.0	0.0	67.4	48,808	04-Jan-87	3,770
1987-88	1,000.0	0.0	54.6	39,646	04-Dec-87	7,260
1988-89	704.0	0.0	65.2	47,221	21-Dec-88	4,110
1989-90	1,450.0	0.0	57.1	41,313	17-Feb-90	3,640
1990-91	1,470.0	0.0	29.3	21,023	01-Mar-91	4,690
1991-92	2,150.0	0.0	36.5	26,484	12-Feb-92	15,100
1992-93	10,400.0	0.0	458.0	331,800	19-Feb-93	17,200
1993-94	379.0	0.0	8.7	6,279	24-Mar-94	3,740
1994-95	*	*	*	*		*
1995-96	Discontin	11/95.				
1996-97	Unreliable	data due	to inflate	rubber dam		
1997-98	Unreliable	data due	to inflate	rubber dam		
1998-99	Unreliable	data due	to inflate	rubber dam		
2000-01	Unreliable	data due	to inflate	rubber dam		

M Data Missing
 * Record incomplete
 E Estimate
 N.D. Not determined
 ** Record not Computed
 + Less than 0.05 Acre Feet or less than 0.05 CFS, but greater than 0

RUNOFF – STREAM GAGING STATION PEAK FLOW

SAN GABRIEL RIVER *below* Valley Blvd.
 STATION NO. F261C-R

Season	Daily CFS			Total Runoff (Acre-feet)	Peak Inflow	
	Maximum	Minimum	Mean		Date	CFS
2001-2002	Unreliable	data due	to inflate	rubber dam		

M	Data Missing
*	Record incomplete
E	Estimate
N.D.	Not determined
**	Record not Computed
+	Less than 0.05 Acre Feet or less than 0.05 CFS, but greater than 0

RUNOFF – STREAM GAGING STATION PEAK FLOW

SAN GABRIEL RIVER *below* Cogswell Dam
 STATION NO. F209-R

Season	Daily CFS			Total Runoff (Acre-feet)	Peak Inflow	
	Maximum	Minimum	Mean		Date	CFS
1933-34	1,758.4	0.0	12.5	9,140.1	Jan 01	4,401
1934-35	594.0	0.1	27.5	19,700.6	Dec 13	1,260
1935-36	43.0	0.2	9.8	7,088.5	Feb 17	45
1936-37	577.0	0.1	46.9	33,585.1	Feb 14	752
1937-38	6,620.0	0.7	80.2	58,918.4	Mar 02	25,000
1938-39	683.0	0.4	15.7	11,358.9	Sep 25	1,190
1939-40	141.0	0.6	13.0	9,373.6	Jan 15	1,240
1940-41	1,130.0	0.5	83.7	59,817.1	Feb 22	1,160
1941-42	76.0	1.0	9.3	7,294.0	Nov 01	90
1942-43	4,775.0	0.6	75.8	54,926.9	Feb 23	7,300
1943-44	805.0	2.2	52.2	37,701.6	Dec 28	1,210
1944-45	144.0	0.8	14.6	10,411.2	Nov 20	157
1945-46	602.0	0.8	22.7	16,477.5	Mar 30	814
1946-47	1,110.0	0.1	27.9	20,245.4	Jan 06	1,240
1947-48	28.0	0.1	4.8	3,045.2	May 17	79
1948-49	12.3	0.1	4.5	2,775.3	Jul 21	67
1949-50	12.7	0.1	4.9	3,551.8	Mar 02	84
1950-51	10.6	0.2	0.8	576.0	Oct 24	52
1951-52	1,240.0	0.1	35.4	25,874.4	Jan 18	2,000
1952-53	289.0	0.1	17.0	12,479.1	Jan 09	328
1953-54	144.0	0.1	10.5	7,551.7	Jan 26	146
1954-55	36.0	0.1	4.4	3,193.4	Oct 04	149
1955-56	15.6	0.1	5.0	3,626.0		
1956-57	139.0	0.1	5.3	3,789.0	Nov 09	260
1957-58	1,170.0	0.1	48.3	34,530.8	Apr 04	1,430
1958-59	120.0	0.2	8.8	6,244.7	Feb 16	124
1959-60	13.0	0.1	2.8	2,018.1	Jan 29	260
1960-61	5.6	0.1	0.8	579.2	Jan 11	336
1961-62	1,810.0	0.1	34.5	23,810.6	Feb 11	2,370
1962-63	N.D.					
1963-64	30.0	0.1	3.7	2,661.4	Jun 24	788
1964-65	47.0	0.1	5.8	4,170.0	Apr 09	53
1965-66	1,120.0	0.3	56.9	41,365.3	Nov 22	2,570

M Data Missing
 * Record incomplete
 E Estimate
 N.D. Not determined
 ** Record not Computed
 + Less than 0.05 Acre Feet or less than 0.05 CFS, but greater than 0

RUNOFF – STREAM GAGING STATION PEAK FLOW

SAN GABRIEL RIVER *below* Cogswell Dam
 STATION NO. F209-R

Season	Daily CFS			Total Runoff (Acre-feet)	Peak Inflow	
	Maximum	Minimum	Mean		Date	CFS
1966-67	1,040.0	0.3	45.1	32,757.2	Dec 06	2,460
1967-68	N.D.					
1968-69	N.D.					
1969-70	N.D.					
1970-71	N.D.					
1971-72	N.D.					
1972-73	N.D.					
1973-74	N.D.					
1974-75	34.0	2.0	11.5	8,299.4	Oct 24	34
1975-76	32.7	2.0	6.9	4,998.9	Sep 15	33
1976-77	29.4	1.4	6.9	5,021.0	Oct 02	29
1977-78	3,550.0	1.9	3.9	86,060.2	Mar 04	8,780
1978-79	495.0	2.3	33.3	24,094.0	Mar 27	510
1979-80	1,920.0	2.5	81.5	33,672.8	Feb 19	2,760
1980-81	235.0	0.4	10.6	7,704.0	Apr 13	1,330
1981-82	1,110.0	0.4	12.5	9,059.1	Mar 23	3,910
1982-83	3,470.0	5.3	3.5	78,268.4	Mar 02	4,680
1983-84	115.0	4.4	0.6	12,496.7	Dec 28	190
1984-85	93.9	1.3	8.8	6,352.3	Jan 09	102
1985-86	535.0	4.6	21.2	15,314.4	Mar 19	1,140
1986-87	62.3	2.8	91.3	2,806.6	Nov 12	619
1987-88	202.0	2.3	19.7	11,249.1	Jan 27	756
1988-89	39.4	2.1	7.5	4,680.6	Feb 24	62
1989-90	7.2	1.4	2.4	1,717.7		
1990-91	390.0	1.0	15.3	10,933.5	Apr 03	417
1991-92	1,770.0	0.1	47.5	34,449.0	Feb 12	M
1992-93	1,360.0	1.0	109.0	79,250.8	Jan 14	1,550
1993-94	84.9	1.0	14.3	10,319.0	Dec 02	86
1994-95	951.0	0.5	56.7	41,044.0	Jan 10	1,740
1995-96	466.0	0.1	14.6	10,600.1	Feb 21	938
1996-97	335.0	0.1	11.2	8,084.8	Jan 22	651
1997-98	1,760.0	4.7	57.2	41,406.4	Feb 24	2,590
1998-99	184.0	2.5	17.2	12,430.8	Dec 01	935

M Data Missing
 * Record incomplete
 E Estimate
 N.D. Not determined
 ** Record not Computed
 + Less than 0.05 Acre Feet or less than 0.05 CFS, but greater than 0

RUNOFF – STREAM GAGING STATION PEAK FLOW

SAN GABRIEL RIVER *below* Cogswell Dam
 STATION NO. F209-R

Season	Daily CFS			Total Runoff (Acre-feet)	Peak Inflow	
	Maximum	Minimum	Mean		Date	CFS
1999-00	14.0	0.5	7.4	5,400.0	Feb 20	47
2000-01	22.0	7.6	14.4	10,410.0	Feb 13	37
2001-02	14.3	0.8	5.4	3,930.8	Nov 13	26

M	Data Missing
*	Record incomplete
E	Estimate
N.D.	Not determined
**	Record not Computed
+	Less than 0.05 Acre Feet or less than 0.05 CFS, but greater than 0

RUNOFF – STREAM GAGING STATION PEAK FLOW

SAN GABRIEL RIVER @ Foothill Blvd.
STATION NO. F190-R

Season	Daily CFS			Total Runoff (Acre-feet)	Peak Inflow	
	Maximum	Minimum	Mean		Date	CFS
1931-32	N.D.	0.0	N.D.	76,220*		N.D.
1932-33	2,530.0	0.0	15.7	11,400	Jan 19	10,000
1933-34	3,150.0	0.0	20.3	14,690	Jan 01	5,550
1934-35	448.0	0.0	81.7	59,220	Apr 08	1,080
1935-36	169.0	0.0	21.1	15,300	Feb 02	572
1936-37	1,610.0	0.0	162.0	117,400	Feb 19	2,050
1937-38	22,200.0	0.0	387.2	280,300*	Mar 02	62,000E
1938-39	220.0	0.0	15.0	10,850	Jan 05	267
1939-40	388.0	0.0	13.7	9,980	Jun 25	400
1940-41	4,090.0	0.0	304.0	220,100	Mar 04	5,280
1941-42	312.0	0.0	5.5	3,990	Apr 20	345
1942-43	10,400.0E	0.0	318.0	230,200	Feb 23	11,400
1943-44	2,750.0	0.0	163.0	118,300	Feb 22	4,840
1944-45	844.0	0.0	22.9	16,620	Feb 02	1,080
1945-46	1,190.0	0.0	58.1	42,060	Dec 23	1,670
1946-47	3,000.0	0.0	65.6	47,520	Dec 28	3,200
1947-48	1,010.0	0.0	14.3	10,370	Jun 02	1,120
1948-49	0.0	0.0	0.0	0.0		0
1949-50	20.0	0.0	0.1	67.0	Dec 18	192
1950-51	0.0	0.0	0.0	0.0		0
1951-52	3,860.0	0.0	98.1	71,210	Jan 18	4,670
1952-53	1,030.0	0.0	56.9	41,180	Oct 28	1,080
1953-54	848.0	0.0	30.3	21,920	Apr 16	2,160
1954-55	3.8	0.0	+	38.0	Jan 18	12
1955-56	215.0	0.0	2.0	1,430	Jan 26	800
1956-57	573.0	0.0	7.4	5,320	Apr 17	585
1957-58	2,270.0	0.0	229.0	165,600	Apr 05	2,520
1958-59	380.0	0.0	18.8	13,590	Jan 06	3,390
1959-60	13.0	0.0	0.7	499.0	Apr 27	90
1960-61	26.0	0.0	0.2	147.0	Jan 26	48
1961-62	1,750.0	0.0	103.0	74,270	Feb 12	2,260
1962-63	47.0	0.0	0.3	237.0	Feb 09	301
1963-64	13.0	0.0	0.1	66.0	Jan 22	56

M Data Missing
 * Record incomplete
 E Estimate
 N.D. Not determined
 ** Record not Computed
 + Less than 0.05 Acre Feet or less than 0.05 CFS, but greater than 0

RUNOFF – STREAM GAGING STATION PEAK FLOW

**SAN GABRIEL RIVER @ Foothill Blvd.
STATION NO. F190-R**

Season	Daily CFS			Total Runoff (Acre-feet)	Peak Inflow	
	Maximum	Minimum	Mean		Date	CFS
1964-65	293.0	0.0	11.0	7,940	Sep 06	881
1965-66	8,680.0	0.0	240.0	173,700	Nov 23	9,420
1966-67	2,080.0	0.0	249.0	180,000	Dec 06	9,830
1967-68	232.0	0.0	33.0	23,940	Nov 25	326
1968-69	22,700.0	0.0	794.0	575,300	Jan 26	N.D.
1969-70	378.0	0.0	32.9	23,810	Dec 21	411
1970-71	1,300.0	0.0	44.0	31,850	Mar 01	1,400
1971-72	254.0	0.0	13.3	9,660	Dec 08	254
1972-73	803.0	0.0	129.0	93,260	Feb 11	1,010
1973-74	374.0	0.0	56.2	40,640	Jan 07	670
1974-75	256.0	0.0	37.3	27,040		256
1975-76	179.0	0.0	27.3	19,833	Mar 01	10,002
1976-77	226.0	0.0	24.6	17,770	Oct 14	248
1977-78	*	*	664.2	480,390	Mar 04	24,300
1978-79	525.0	0.0	153.0	110,800	Mar 27	720
1979-80	8,751.0	0.0	440.0	313,199		N.D.
1980-81	362.0	0.0	23.8	17,247	Jan 29	477
1981-82	573.0	0.1	79.8	57,237	Mar 14	720
1982-83	12,810.0	0.0	16.1	356,249	Mar 02	12,810
1983-84	432.0	1.8	50.9	36,846		N.D.
1984-85	396.0	0.0	16.7	12,084		N.D.
1985-86	805.0	0.0	117.0	84,632	Mar 03	805
1986-87	112.0	0.0	31.2	22,594	Mar 06	130
1987-88	544.0	0.0	62.3	444,868	Jun 08	805
1988-89	464.0	0.0	49.6	35,849	Feb 04	1,130
1989-90	145.0	0.0	26.7	19,337	Apr 17	155
1990-91	567.0	0.0	74.1	52,908	Jul 27	578
1991-92	1,580.0	0.0	200.0	144,865	Feb 15	4,000
1992-93	8,600.0	0.0	598.0	432,600	Feb 16	11,300
1993-94	393.0	0.0	53.4	38,660	Feb 17	1,750
1994-95	2,180.0	0.0	278.0	201,100	Mar 06	5,020
1995-96	531.0	0.0	91.7	66,560	Oct 06	1,130
1996-97	563.0	0.0	62.3	45,100	Dec 22	522

M Data Missing
 * Record incomplete
 E Estimate
 N.D. Not determined
 ** Record not Computed
 + Less than 0.05 Acre Feet or less than 0.05 CFS, but greater than 0

RUNOFF – STREAM GAGING STATION PEAK FLOW

SAN GABRIEL RIVER @ Foothill Blvd.
 STATION NO. F190-R

Season	Daily CFS			Total Runoff (Acre-feet)	Peak Inflow	
	Maximum	Minimum	Mean		Date	CFS
1997-98	7,660.0	0.0	319.0	230,900	Feb 24	11,900
1998-99	216.0	0.0	28.2	20,420	Jul 15	326
1999-00	272.0	0.0	40.9	29,690		N.D.
2000-01	377.0	0.0	45.9	33,220	Dec 13	730
2001-02	350.3	0.0	22.0	15,915.7	Oct 31	460

M	Data Missing
*	Record incomplete
E	Estimate
N.D.	Not determined
**	Record not Computed
+	Less than 0.05 Acre Feet or less than 0.05 CFS, but greater than 0

RUNOFF – STREAM GAGING STATION PEAK FLOW

**SAN GABRIEL RIVER *above* Florence Avenue
STATION NO. F262C-R**

Season	Daily CFS			Total Runoff (Acre-feet)	Peak Inflow	
	Maximum	Minimum	Mean		Date	CFS
1934-35	718.0	0.0	6.5	4,700	Oct 17	5,850
1935-36	414.0	0.0	2.4	1,750	Feb 12	3,400
1936-37	NO RECORD					
1937-38	NO RECORD					
1938-39	325.0	0.0		2,540*	Sep 25	1,380
1939-40	271.0	0.0	2.6	1,900	Jan 08	1,150
1940-41	2,390.0	0.0	105.0	75,780	Mar 04	5,630
1941-42	117.0	0.0	18.7	13,570	Dec 10	413
1942-43	9,190.0	0.0	257.0	186,400	Jan 23	14,000
1943-44	4,860.0	0.0	110.0	79,930	Feb 22	16,000
1944-45	806.0	0.0	36.1	26,110	Nov 12	4,020
1945-46	1,500.0	0.0	22.8	16,480	Dec 23	4,370
1946-47	2,880.0	0.0	38.2	27,650	Dec 31	3,640
1947-48	0.0	0.0	0.0	0.0		0
1948-49	0.0	0.0	0.0	0.0		0
1949-50	0.0	0.0	0.0	0.0		0
1950-51	0.0	0.0	0.0	0.0		0
1951-52	3,070.0	0.0	33.4	24,250	Jan 16	8,040
1952-53	181.0	0.0	1.4	983.0	Dec 02	1,270
1953-54	688.0	0.0	5.2	3,790	Feb 13	4,060
1954-55	317.0	0.0	1.4	1,000	Jan 18	1,850
1955-56	4,580.0	0.0	14.3	10,360	Jan 26	12,800E
1956-57	490.0	0.0	1.9	1,390	Jan 13	2,040
1957-58	1,720.0	0.0	31.9	23,960	Apr 07	6,300
1958-59	826.0	0.0	4.3	3,130	Jan 06	4,060
1959-60	377.0	0.0	2.7	1,990	Jan 12	2,210
1960-61	316.0	0.0	0.9	678.0	Jan 26	2,940
1961-62	2,170.0	0.0	23.7	17,340	Feb 11	6,470
1962-63	1,190.0	0.0	7.1	5,160	Mar 16	4,270
1963-64	707.0	0.0	4.8	3,460	Nov 20	4,330
1964-65	1,210.0	0.0	12.4	9,010	Apr 09	4,900
1965-66	697.0	0.0	7.8	5,620	Jan 30	2,080
1966-67	1,900.0	0.0	32.2	23,300	Jan 23	4,320

M Data Missing
 * Record incomplete
 E Estimate
 N.D. Not determined
 ** Record not Computed
 + Less than 0.05 Acre Feet or less than 0.05 CFS, but greater than 0

RUNOFF – STREAM GAGING STATION PEAK FLOW

**SAN GABRIEL RIVER *above* Florence Avenue
STATION NO. F262C-R**

Season	Daily CFS			Total Runoff (Acre-feet)	Peak Inflow	
	Maximum	Minimum	Mean		Date	CFS
1967-68	NO RECORD					
1968-69	8,430.0	0.0	273.0	197,600	Jan 25	10,900
1969-70	1,650.0	0.0	16.5	11,950	Mar 04	4,510
1970-71	2,160.0	0.0	15.5	11,220	Nov 29	4,410
1971-72	1,450.0	0.0	10.2	7,400	Dec 24	7,510
1972-73	2,540.0	0.0	28.6	20,700	Feb 11	5,680
1973-74	3,650.0	0.0	26.8	19,420	Jan 07	5,870
1974-75	1,390.0	0.0	8.4	6,110	Dec 04	6,010
1975-76	690.0	0.0	5.9	4,160	Sep 10	2,800
1976-77	486.0	0.0	4.4	3,171	Jan 03	3,320
1977-78	5,440.0	0.0	224.0	162,158	Feb 12	8,220
1978-79	*	*	*	*		*
1979-80	9,290.0	0.0	222.3	156,500	Feb 17	10,900
1980-81	219.0	0.0	1.1	773.0	Mar 02	414
1981-82	186.0	0.0	1.0	723.0	Mar 17	755
1982-83	4,920.0	0.0	95.2	68,938	Mar 01	10,400
1983-84	131.0	0.0	1.8	1,341	Nov 25	179
1984-85	215.0	0.0	2.4	1,771	Dec 19	283
1985-86	528.0	0.0	6.4	4,597	Sep 25	4,510
1986-87	585.0	0.0	2.7	1,936	Jan 04	3,350
1987-88	75.9	0.0	0.6	466.0	Apr 21	327
1988-89	148.0	0.0	1.1	825.0	Dec 25	1,174
1989-90	32.0	0.0	0.1	65.0	Feb 17	353
1990-91	169.0	0.0	1.0	694.0	Mar 27	605
1991-92	673.0	0.0	5.3	3,840	Feb 12	2,340
1992-93	6,990.0	0.0	276.0	199,500	Jan 18	7,600
1993-94	0.0	0.0	0.0	0.0		-
1994-95	1,520.0	0.0	35.6	25,760	Jan 10	5,120
1995-96	871.0	0.0	3.8	2,727	Feb 21	2,360
1996-97	291.0	0.0	5.1	3,710	Dec 11	1,240
1997-98	5,750.0	0.0	168.0	121,400	Mar 26	8,070
1998-99	19.0	0.0	0.2	116.0	Nov 08	78
1999-00	159.0	0.0	1.1	788.0	Mar 08	3,130

M Data Missing
 * Record incomplete
 E Estimate
 N.D. Not determined
 ** Record not Computed
 + Less than 0.05 Acre Feet or less than 0.05 CFS, but greater than 0

RUNOFF – STREAM GAGING STATION PEAK FLOW

SAN GABRIEL RIVER *above* Florence Avenue
 STATION NO. F262C-R

Season	Daily CFS			Total Runoff (Acre-feet)	Peak Inflow	
	Maximum	Minimum	Mean		Date	CFS
2000-01	708.0	0.0	4.8	3,480	Jan 11	2,180
2001-02	242.8	0.0	1.0	555.0	Nov 24	1,756

M	Data Missing
*	Record incomplete
E	Estimate
N.D.	Not determined
**	Record not Computed
+	Less than 0.05 Acre Feet or less than 0.05 CFS, but greater than 0

RUNOFF – STREAM GAGING STATION PEAK FLOW

SAN GABRIEL RIVER *below* San Gabriel River Parkway
 STATION NO. F263C-R

Season	Daily CFS			Total Runoff (Acre-feet)	Peak Inflow	
	Maximum	Minimum	Mean		Date	CFS
1928-29	93.0	0.0	3.9	2,850	Mar 10	397
1929-30	152.0	0.0	4.8	3,490	Jan 11	726
1930-31	106.0	0.0	3.4	2,490	Feb 04	404
1931-32	1,620.0	0.0	18.0	13,060	Feb 09	3,830
1932-33	286.0	0.0	4.2	3,040	Jan 29	1,450
1933-34	5,580.0	0.0	23.4	16,950	Jan 01	22,000
1934-35	746.0	0.0	16.8	12,190	Oct 17	5,400
1935-36	355.0	0.0	6.3	4,590	Feb 12	3,400
1936-37	2,440.0	0.0	47.3	34,240*	Feb 14	6,970
1937-38	11,400.0	0.0	131.0	94,810	Mar 02	22,700E
1938-39	672.0	0.0	34.1	24,620	Sep 25	2,110
1939-40	544.0	0.0	27.8	20,180	Feb 01	2,110
1940-41	2,700.0	0.0	139.0	100,900	Mar 04	5,830
1941-42	149.0	0.0	39.5	28,630	Dec 10	412
1942-43	10,500.0	0.0	289.0	209,600	Jan 23	14,810
1943-44	5,350.0	0.0	144.0	104,200	Feb 22	14,100
1944-45	744.0	0.0	58.7	42,520	Nov 12	4,210
1945-46	1,660.0	0.0	47.5	34,370	Dec 23	4,660
1946-47	2,810.0	0.0	62.7	45,420	Dec 30	3,240
1947-48	48.0	0.0	11.8	8,590	Feb 06	84
1948-49	77.0	0.0	8.9	6,470	Jan 20	144
1949-50	272.0	0.0	5.7	4,130	Feb 06	845
1950-51	16.0	0.0	0.8	558.0	Jan 30	27
1951-52	2,860.0	0.0	70.2	50,900	Jan 16	14,000
1952-53	327.0	0.0	19.2	13,880	Dec 02	1,450
1953-54	901.0	0.0	15.2	10,990	Feb 13	5,450
1954-55	323.0	0.0	12.8	9,250	Jan 18	1,590
1955-56	4,030.0	0.0	33.1	24,050	Jan 26	12,400
1956-57	558.0	0.0	24.9	18,000	Mar 01	3,600
1957-58	2,210.0	0.0	114.0	82,190	Apr 07	6,890
1958-59	777.0	0.0	16.9	33,960	Jan 06	3,870
1959-60	449.0	0.0	49.7	36,100	Jan 12	2,390
1960-61	421.0	0.0	65.9	47,700	Jan 26	1,330

M Data Missing
 * Record incomplete
 E Estimate
 N.D. Not determined
 ** Record not Computed
 + Less than 0.05 Acre Feet or less than 0.05 CFS, but greater than 0

RUNOFF – STREAM GAGING STATION PEAK FLOW

SAN GABRIEL RIVER *below* San Gabriel River Parkway
 STATION NO. F263C-R

Season	Daily CFS			Total Runoff (Acre-feet)	Peak Inflow	
	Maximum	Minimum	Mean		Date	CFS
1961-62	2,840.0	0.0	142.0	103,100	Feb 11	8,810
1962-63	1,080.0	0.0	58.6	42,430	Mar 17	4,320
1963-64	881.0	0.0	63.0	45,700	Jan 22	3,380
1964-65	1,410.0	0.0	107.0	77,270	Apr 09	5,590
1965-66	916.0	0.0	76.4	55,320	Feb 06	2,670
1966-67	2,270.0	0.3	86.7	62,800	Jan 23	5,680
1967-68	222.0	3.2	36.2	26,240	Nov 19	330
1968-69	10,210.0	15.0	379.0	274,300	Jan 26	11,740
1969-70	1,880.0	13.0	109.0	79,110	Mar 04	5,530
1970-71	2,170.0	2.6	75.4	54,590	Dec 21	4,610
1971-72	1,900.0	0.0	45.1	32,740	Dec 24	6,970
1972-73	2,540.0	0.0	92.6	67,020	Feb 11	5,620
1973-74	3,640.0	4.0	83.6	60,500	Jan 04	6,170
1974-75	2,050.0	1.0	52.7	38,190	Dec 04	7,520
1975-76	1,500.0	0.0	44.4	32,000		N.D.
1976-77	739.0	0.0	23.0	16,670	Jan 03	4,080
1977-78	6,630.0	0.0	353.4	256,222	Mar 01	7,650
1978-79	338.0	2.3	51.0	36,943	Jan 15	2,052
1979-80	9,140.0	6.0	283.9	201,315	Feb 19	10,600
1980-81	336.0	3.8	33.0	23,902	Mar 01	577
1981-82	290.0	0.0	32.0	23,162	Mar 14	523
1982-83	4,740.0	7.7	163.1	118,084	Mar 01	8,650
1983-84	152.0	3.8	30.6	22,254	Oct 01	414
1984-85	387.0	3.1	31.1	22,522	Dec 18	750
1985-86	598.0	0.5	59.4	31,244	Sep 25	3,340
1986-87	1,060.0	0.0	30.3	21,994	Jan 04	5,140
1987-88	559.0	0.0	32.7	23,684	Apr 20	1,270
1988-89	570.0	0.0	28.9	20,899	Dec 24	3,020
1989-90	612.0	0.0	39.6	28,677	Feb 17	947
1990-91	787.0	0.0	34.7	24,904	Feb 28	1,140
1991-92	1,320.0	0.0	42.0	30,460	Feb 12	3,390
1992-93	6,460.0	0.0	377.0	273,200	Jan 18	7,430
1993-94	387.0	0.2	35.9	26,000	Jan 25	1,520

M Data Missing
 * Record incomplete
 E Estimate
 N.D. Not determined
 ** Record not Computed
 + Less than 0.05 Acre Feet or less than 0.05 CFS, but greater than 0

RUNOFF – STREAM GAGING STATION PEAK FLOW

SAN GABRIEL RIVER *below* San Gabriel River Parkway
 STATION NO. F263C-R

Season	Daily CFS			Total Runoff (Acre-feet)	Peak Inflow	
	Maximum	Minimum	Mean		Date	CFS
1994-95	2,470.0	0.0	146.0	105,900	Mar 11	5,070
1995-96	794.0	1.6	47.8	34,720	Jan 31	1,620
1996-97	1,210.0	0.7	73.9	53,530	Dec 09	2,040
1997-98	5,450.0	2.4	233.0	168,600	Feb 23	7,060
1998-99	350.0	0.0	35.5	25,720	Feb 05	621
1999-00	607.0	0.1	58.6	42,560	Jun 06	2,550
2000-01	1,240.0	0.0	68.3	49,420	Feb 25	4,620
2001-02	766.1	0.0	47.3	34,260.2	Nov 24	4,017

M Data Missing
 * Record incomplete
 E Estimate
 N.D. Not determined
 ** Record not Computed
 + Less than 0.05 Acre Feet or less than 0.05 CFS, but greater than 0

RUNOFF – STREAM GAGING STATION PEAK FLOW

SAN GABRIEL RIVER *below* Morris Dam
STATION NO. U8-R

Season	Daily CFS			Total Runoff (Acre-feet)	Peak Inflow	
	Maximum	Minimum	Mean		Date	CFS
1895-96	134.0	0.0	N.D.	N.D.		
1896-97	1,760.0	0.0	95.6	69,200		N.D.
1897-98	1,600.0	0.0	9.6	6,920		N.D.
1898-99	16.0	0.0	0.1	74.0		N.D.
1899-00	49.0	0.0	0.4	272.0		N.D.
1900-01	5,170.0	0.0	94.1	68,100	Feb 05	N.D.
1901-02	318.0	0.0	4.3	3,100		6,250
1902-03	2,940.0	0.0	104.0	74,900		N.D.
1903-04	1,070.0	0.0	9.3	6,720		N.D.
1904-05	2,940.0	0.0	172.0	124,000		N.D.
1905-06	7,950.0	0.0	262.0	190,000		N.D.
1906-07	6,730.0	0.0	406.0	293,000		N.D.
1907-08	1,160.0	0.0	46.4	33,700		N.D.
1908-09	7,030.0	0.0	197.0	143,000		N.D.
1909-10	12,400.0	0.0	137.0	99,100	Jan 01	13,900
1910-11	9,100.0	0.0	321.0	231,000	Mar 10	13,500
1911-12	2,950.0	0.0	55.5	40,300		N.D.
1912-13	1,880.0	0.0	25.6	18,600		N.D.
1913-14	11,800.0	0.0	359.0	260,000	Feb 20	18,100
1914-15	1,110.0	0.0	108.0	77,900	Jan 29	2,770
1915-16	22,300.0	0.0	315.0	228,000	Jan 18	40,000
1916-17	3,900.0	0.0	49.3	35,700		N.D.
1917-18	4,940.0	0.0	123.0	88,600	Mar 17	8,680
1918-19	76.0	0.0	3.2	2,290	Feb 11	230
1919-20	2,400.0	0.0	94.6	68,700	Mar 02	5,000
1920-21	2,050.0	0.0	40.1	29,000	Mar 14	4,000
1921-22	16,000.0	0.0	505.0	365,000	Dec 19	22,300
1922-23	2,250.0	0.0	44.0	31,800	Dec 13	3,670
1923-24	253.0	0.0	3.5	2,540	Mar 26	510
1924-25	588.0	0.0	4.2	3,030	Mar 04	3,000
1925-26	5,530.0	0.0	113.0	81,700	Apr 07	14,900
1926-27	11,400.0	0.0	123.0	88,900	Feb 16	18,200
1927-28	672.0	0.0	4.1	2,940	Feb 04	1,810

M Data Missing
 * Record incomplete
 E Estimate
 N.D. Not determined
 ** Record not Computed
 + Less than 0.05 Acre Feet or less than 0.05 CFS, but greater than 0

RUNOFF – STREAM GAGING STATION PEAK FLOW

SAN GABRIEL RIVER *below* Morris Dam
STATION NO. U8-R

Season	Daily CFS			Total Runoff (Acre-feet)	Peak Inflow	
	Maximum	Minimum	Mean		Date	CFS
1928-29	411.0	0.0	10.0	7,210	Mar 10	895
1929-30	396.0	0.0	21.5	15,600	Mar 15	586
1930-31	601.0	0.0	9.5	6,900	Apr 26	1,450
1931-32	5,830.0	0.0	120.0	87,200	Feb 09	7,500
1932-33	1,630.0	0.0	21.9	15,900	Jan 19	5,820
1933-34	2,380.0	0.0	30.4	22,080	Jan 01	6,120
1934-35	460.0	0.0	102.0	74,080	Feb 09	507
1935-36	224.0	0.0	31.6	22,980	Apr 10	455
1936-37	1,770.0	0.0	195.0	141,100	Feb 20	1,950
1937-38	21,660.0	0.1	415.0	300,200	Mar 02	65,700
1938-39	316.0	6.5	53.5	38,680		N.D.
1939-40	506.0	0.0	50.5	36,640	Jun 24	506
1940-41	3,870.0	0.0	317.0	229,300	Mar 04	4,460
1941-42	370.0	2.5	13.1	9,480	Apr 20	422
1942-43	10,370.0	2.0	334.0	242,000	Jan 23	12,100
1943-44	2,710.0	3.6	184.0	133,700	Feb 22	5,170
1944-45	980.0	6.1	62.8	45,490	Feb 06	988
1945-46	937.0	0.3	75.9	54,930	Dec 23	980
1946-47	2,930.0	0.0	74.9	54,220	Dec 31	2,980
1947-48	1,170.0	0.0	18.1	13,170	Jun 02	1,320
1948-49	61.0	0.0	5.7	4,140	Oct 27	79
1949-50	7.9	0.0	0.7	51.0	Jul 31	8
1950-51	47.0	0.0	8.6	6,220	Apr 27	168
1951-52	3,530.0	0.0	91.1	66,120		N.D.
1952-53	1,190.0	0.0	69.4	50,240		N.D.
1953-54	960.0	0.0	34.6	25,030	Apr 16	9,420
1954-55	9.9	0.0	0.1	86.0	Sep 26	10
1955-56	43.0	0.0	0.2	176.0	Sep 30	45
1956-57	650.0	0.0	12.4	9,010	Apr 14	656
1957-58	2,470.0	0.0	241.0	174,100	Apr 05	2,780
1958-59	348.0	0.0	11.3	8,200	Feb 24	364
1959-60	0.0	0.0	0.0	0.0		0
1960-61	7.5	0.0	1.7	1,250	May 06	9

M Data Missing
 * Record incomplete
 E Estimate
 N.D. Not determined
 ** Record not Computed
 + Less than 0.05 Acre Feet or less than 0.05 CFS, but greater than 0

RUNOFF – STREAM GAGING STATION PEAK FLOW

SAN GABRIEL RIVER *below* Morris Dam
STATION NO. U8-R

Season	Daily CFS			Total Runoff (Acre-feet)	Peak Inflow	
	Maximum	Minimum	Mean		Date	CFS
1961-62	1,520.0	0.0	102.0	73,590	Feb 12	1,650
1962-63	27.0	0.0	1.0	712.0	Sep 04	45
1963-64	22.0	0.0	0.2	160.0	Aug 26	50
1964-65	276.0	0.0	10.7	981.0	Jun 12	291
1965-66	7,260.0	0.0	225.0	162,900	Nov 23	8,640
1966-67	3,750.0	0.0	232.0	167,900	Dec 06	5,680
1967-68	236.0	0.0	31.7	23,030	Nov 25	326
1968-69	19,300.0	0.0	750.0	543,000	Feb 25	29,850
1969-70	1,060.0	0.0	52.4	37,970	Feb 28	1,102
1970-71	434.0	0.0	31.4	22,760	Jan 04	439
1971-72	299.0	0.0	15.3	11,090	Dec 08	299
1972-73	849.0	0.0	131.0	94,790	Mar 19	918
1973-74	310.0	0.0	60.8	44,010	Nov 07	364
1974-75	248.0	0.0	29.7	21,500		248
1975-76	191.0	0.0	28.8	20,870	Mar 25	178
1976-77	267.0	0.0	21.8	15,760	Oct 13	273
1977-78	10,800.0	0.0	630.1	456,170	Mar 04	14,100
1978-79	504.0	0.0	149.2	108,000	Apr 22	519
1979-80	8,310.0	0.0	473.3	337,410	Feb 19	8,720
1980-81	415.0	0.0	37.8	27,335	Dec 11	514
1981-82	586.0	0.0	90.2	65,284	Mar 24	5,490
1982-83	11,600.0	0.0	15.9	352,733	Mar 02	11,900
1983-84	485.0	0.0	2.2	48,419	Oct 13	552
1984-85	464.0	0.0	48.5	35,100	Jan 01	469
1985-86	831.0	0.0	131.0	94,778	Feb 25	856
1986-87	186.0	0.0	60.8	43,995	Feb 23	212
1987-88	253.0	0.0	94.1	67,673	Jun 08	793
1988-89	434.0	0.4	68.0	49,058	Jan 05	434
1989-90	166.0	0.1	64.0	46,101	Apr 28	162
1990-91	785.0	0.0	113.0	80,999	Jul 28	793
1991-92	1,740.0	0.8	206.0	149,508	Feb 15	3,460
1992-93	9,500.0	0.0	655.0	474,300	Jan 14	9,500
1993-94	480.0	0.0	57.8	41,860	Aug 02	1,490

M Data Missing
 * Record incomplete
 E Estimate
 N.D. Not determined
 ** Record not Computed
 + Less than 0.05 Acre Feet or less than 0.05 CFS, but greater than 0

RUNOFF – STREAM GAGING STATION PEAK FLOW

SAN GABRIEL RIVER *below* Morris Dam
 STATION NO. U8-R

Season	Daily CFS			Total Runoff (Acre-feet)	Peak Inflow	
	Maximum	Minimum	Mean		Date	CFS
1994-95	*	*	*	*		*
1995-96	552.0	0.4	124.0	89,820	Sep 25	1,220
1996-97	696.0	0.3	90.3	65,340	Feb 02	1,620
1997-98	7,200.0	0.0	365.0	264,000	Feb 24	10,300
1998-99	250.0	0.0	33.1	23,970	Mar 01	3,140
1999-00	316.0	1.2	59.1	42,940	May 01	834
2000-01	490.0	2.0	65.3	47,240	May 09	1,240
2001-02	242.1	2.3	65.5	47,415.9	Oct 31	1,183

M	Data Missing
*	Record incomplete
E	Estimate
N.D.	Not determined
**	Record not Computed
+	Less than 0.05 Acre Feet or less than 0.05 CFS, but greater than 0

RUNOFF – STREAM GAGING STATION PEAK FLOW

SAN GABRIEL RIVER *above* Whittier Narrow Dam
 STATION NO. G44B-R

Season	Daily CFS			Total Runoff (Acre-feet)	Peak Inflow	
	Maximum	Minimum	Mean		Date	CFS
1991-92*	1,080.0	0.0	18.7	13,303.3		
1992-93	8,940.0	0.0	331.0	239,550.9		
1993-94	1,030.0	0.0	19.2	13,928.9	Mar 24	8,650
1994-95	6,130.0	0.0	112.0	80,833.8	Jan 10	29,600
1995-96	5,280.0	0.0	33.9	24,639.1	Feb 20	19,700
1996-97	2,300.0	0.0	31.7	22,917.2	Dec 09	7,130
1997-98	7,200.0	0.0	107.0	77,631.5	Feb 07	28,900
1998-99	355.0	0.0	4.3	3,135.7	Nov 08	3,700
1999-00*	1,510.0	0.0	23.2	16,815.7	Feb 23	11,700
2000-01	2,360.0	0.0	28.3	20,490.0	Jan 11	9,210
2001-02	1,063.1	0.0	3.5	2,562.9	Nov 24	21,429

M Data Missing
 * Record incomplete
 E Estimate
 N.D. Not determined
 ** Record not Computed
 + Less than 0.05 Acre Feet or less than 0.05 CFS, but greater than 0

RUNOFF – STREAM GAGING STATION PEAK FLOW

SAN GABRIEL RIVER *above* Spring Street
 STATION NO. F42B-R

Season	Daily CFS			Total Runoff (Acre-feet)	Peak Inflow	
	Maximum	Minimum	Mean		Date	CFS
1927-28	0.0	0.0	0.0	0.0		0
1928-29	0.0	0.0	0.0	0.0		0
1929-30	0.0	0.0	0.0	0.0		0
1930-31	0.0	0.0	0.0	0.0		0
1931-32	1,270.0	0.0	9.0	6,560	Feb 09	4,490
1932-33	170.0	0.0	1.1	809.0	Jan 20	2,250
1933-34	4,860.0	0.0	17.1	12,370	Jan 01	15,000
1934-35	463.0	0.0	3.3	2,380	Oct 17	3,390
1935-36	220.0	0.0	1.6	1,190	Feb 12	1,910
1936-37	1,850.0	0.0	18.7	13,510	Feb 14	4,560
1937-38	14,500.0	0.0	122.0	88,020	Mar 02	27,000E
1938-39	265.0	0.0	1.5	1,080	Dec 19	956
1939-40	192.0E	0.0	2.0	1,460	Feb 03	1,400
1940-41	1,710.0	0.0	91.0	65,890	Mar 13	4,830
1941-42	148.0	0.0	15.0	10,830	Dec 11	277
1942-43	9,570.0	0.0	280.0	175,100	Jan 23	14,600
1943-44	5,570.0	0.0	99.4	72,200	Feb 22	15,000
1944-45	742.0	0.0	30.8	22,280	Feb 02	1,910
1945-46	1,460.0	0.0	17.4	12,590	Dec 23	3,300
1946-47	2,520.0	0.0	33.3	24,100	Jan 01	2,740
1947-48	0.0	0.0	0.0	0.0		0
1948-49	0.0	0.0	0.0	0.0		0
1949-50	0.0	0.0	0.0	0.0		0
1950-51	0.0	0.0	0.0	0.0		0
1951-52	STATION	OUT		21,100E		0
1952-53	101.0	0.0	0.3	220.0	Dec 02	301
1953-54	445.0	0.0	2.9	2,060	Feb 13	3,520
1954-55	240.0	0.0	1.1	820.0	Jan 18	1,640
1955-56	4,300.0	0.0	12.9	9,390	Jan 26	12,500
1956-57	393.0	0.0	1.2	896.0	Jan 13	1,760
1957-58	1,510.0	0.0	31.6	22,890	Apr 07	5,220
1958-59	615.0	0.0	3.2	2,340	Jan 06	2,940
1959-60	355.0	0.0	2.6	1,860	Jan 12	2,180

M Data Missing
 * Record incomplete
 E Estimate
 N.D. Not determined
 ** Record not Computed
 + Less than 0.05 Acre Feet or less than 0.05 CFS, but greater than 0

RUNOFF – STREAM GAGING STATION PEAK FLOW

SAN GABRIEL RIVER *above* Spring Street
STATION NO. F42B-R

Season	Daily CFS			Total Runoff (Acre-feet)	Peak Inflow	
	Maximum	Minimum	Mean		Date	CFS
1960-61	204.0	0.0	0.6	448.0	Jan 26	1,780
1961-62	2,940.0	0.0	32.0	23,070	Feb 11	7,350
1962-63	1,530.0	0.0	7.3	5,290	Mar 17	4,120
1963-64	751.0	0.0	4.4	3,160	Jan 22	2,570
1964-65	1,070.0	0.0	12.1	8,770	Apr 09	4,540
1965-66	630.0	0.0	10.2	7,400	Feb 06	1,950
1966-67	1,190.0	0.0	37.1	26,850	Jan 23	4,760
1967-68	847.0	+	9.2	6,720	Nov 21	3,280
1968-69	9,350.0	+	286.0	207,300	Jan 25	11,700
1969-70	1,760.0	+	24.2	17,520	Mar 05	5,550
1970-71	2,700.0	+	27.1	19,610	Dec 19	5,550
1971-72	1,980.0	0.1	82.2	39,900	Dec 24	8,580
1972-73	2,710.0	10.6	70.6	51,100	Jan 16	5,680
1973-74	3,730.0	10.6	63.9	46,220	Jan 04	6,090
1974-75	2,190.0	6.1	48.1	34,850	Dec 04	7,190
1975-76	660.0	12.6	50.5	36,640	Sep 10	3,890
1976-77	816.0	20.0	54.7	39,600	Jan 03	4,460
1977-78	*	*	*	*		*
1978-79	*	*	*	*	Jan 31	*
1979-80	8,310.0	19.3	252.7	179,251	Feb 14	11,000
1980-81	*	*	*	*		*
1981-82	433.0	31.4	74.5	53,942	Mar 14	1,260
1982-83	5,900.0	43.4	221.0	159,961	Mar 01	13,400
1983-84	483.0	32.9	109.0	78,947	Nov 01	4,470
1984-85	488.0	44.2	3.8	84,238	Feb 09	1,480
1985-86	*	*	*	*	Feb 15	3,930
1986-87	1,110.0	32.9	113.3	82,029	Jan 04	4,990
1987-88	727.0	26.0	108.4	78,667	Dec 04	2,220
1988-89	406.0	33.3	91.0	65,899	Dec 25	2,080
1989-90	880.0	4.3	81.0	58,661	Feb 17	1,610
1990-91	813.0	25.7	78.2	56,581	Mar 01	1,610
1991-92	2,000.0	28.4	107.0	77,647	Feb 12	6,330
1992-93	6,480.0	19.8	389.0	269,000	Feb 19	10,100

M Data Missing
 * Record incomplete
 E Estimate
 N.D. Not determined
 ** Record not Computed
 + Less than 0.05 Acre Feet or less than 0.05 CFS, but greater than 0

RUNOFF – STREAM GAGING STATION PEAK FLOW

SAN GABRIEL RIVER *above* Spring Street
 STATION NO. F42B-R

Season	Daily CFS			Total Runoff (Acre-feet)	Peak Inflow	
	Maximum	Minimum	Mean		Date	CFS
1993-94	*	*	*	*		*
1994-95	3,230.0	33.3	173.0	125,400	Mar 11	10,200
1995-96	1,120.0	25.8	112.0	81,050	Feb 20	4,330
1996-97	738.0	51.0	143.0	97,910	Dec 11	2,410
1997-98	5,550.0	57.0	276.0	199,900	Feb 07	12,500
1998-99	290.0	52.0	136.0	98,720	Apr 11	1,120
1999-00	414.0	59.0	126.0	91,220	Mar 08	2,240
2000-01	2,010.0	27.0	159.0	115,200	Jan 11	8,480
2001-02	845.6	1.6	112.0	80,817.7	Nov 24	4,065

M	Data Missing
*	Record incomplete
E	Estimate
N.D.	Not determined
**	Record not Computed
+	Less than 0.05 Acre Feet or less than 0.05 CFS, but greater than 0

RUNOFF – STREAM GAGING STATION PEAK FLOW

SAN JOSE CHANNEL *below* Seventh Avenue
STATION NO. F312B-R

Season	Daily CFS			Total Runoff (Acre-feet)	Peak Inflow	
	Maximum	Minimum	Mean		Date	CFS
1955-56	1,830.0	0.0	5.6	4,070	Jan 26	5,180
1956-57	190.0	0.0	1.1	795.0	Mar 01	1,410
1957-58	1,210.0	0.0	19.4	14,060	Apr 07	3,990
1958-59	487.0	0.0	4.4	3,210	Jan 06	2,720
1959-60	253.0	0.0	4.7	3,430	Apr 27	1,380
1960-61	103.0	0.0	0.6	403.0	Jan 26	429
1961-62	1,220.0	0.0	13.2	9,540	Feb 11	3,800
1962-63	581.0	0.0	7.6	5,530	Mar 16	1,940
1963-64	483.0	+	6.8	4,900	Jan 22	1,250
1964-65	1,080.0	0.0	14.0	10,110	Apr 09	4,540
1965-66	1,640.0	+	21.1	15,290	Dec 29	5,220
1966-67	2,290.0	2.8	36.3	26,260	Jan 24	10,200
1967-68	2,180.0	6.4	24.6	17,870	Mar 08	10,100
1968-69	4,370.0	9.3	73.2	52,980	Feb 25	9,710
1969-70	898.0	8.0	28.7	20,490	Mar 04	3,930
1970-71	1,180.0	5.0	22.4	16,190	Dec 21	4,400
1971-72	988.0	3.9	17.4	12,650	Dec 24	3,720
1972-73	1,820.0	7.0	38.4	27,830	Feb 13	6,440
1973-74	1,970.0	8.0	33.3	24,060	Jan 04	4,900
1974-75	1,260.0	5.2	64.4	46,650	Dec 04	9,620
1975-76	1,200.0	5.0	25.6	18,310	Sep 10	5,000
1976-77	816.0	3.0	23.2	16,820	Aug 17	3,580
1977-78	2,740.0	5.0	74.0	53,613	Mar 04	11,100
1978-79	2,420.0	5.6	43.9	31,812	Jan 31	7,330
1979-80	3,150.0	6.3	81.4	57,830	Feb 18	13,000
1980-81	1,240.0	12.6	96.2	69,674	Mar 01	4,810
1981-82	1,140.0	8.6	34.1	24,673	Mar 14	5,790
1982-83	2,720.0	11.8	65.8	47,646	Feb 27	19,200
1983-84	1,050.0	8.6	28.3	20,538	Oct 01	5,060
1984-85	927.0	8.6	38.6	27,929	Dec 18	5,330
1985-86	1,850.0	10.2	51.8	37,499	Feb 15	7,250
1986-87	1,900.0	7.8	38.4	27,787	Jan 04	6,980

M Data Missing
 * Record incomplete
 E Estimate
 N.D. Not determined
 ** Record not Computed
 + Less than 0.05 Acre Feet or less than 0.05 CFS, but greater than 0

RUNOFF – STREAM GAGING STATION PEAK FLOW

SAN JOSE CHANNEL *below* Seventh Avenue
STATION NO. F312B-R

Season	Daily CFS			Total Runoff (Acre-feet)	Peak Inflow	
	Maximum	Minimum	Mean		Date	CFS
1987-88	1,700.0	6.3	35.3	25,633	Jan 17	7,850
1988-89	1,100.0	7.4	59.2	42,258	Dec 21	4,800
1989-90	3,060.0	7.8	80.6	58,322	Feb 17	7,700
1990-91	1,960.0	7.1	68.0	48,938	Mar 01	7,270
1991-92	2,370.0	7.3	83.0	60,221	Feb 11	16,800
1992-93	4,370.0*	7.0*	*	*	Jan 07	20,200
1993-94	*	*	*	*		*
1994-95	2,480.0	22.7	105.0	75,660	Jan 10	11,400
1995-96	1,630.0	0.0	44.4	32,260	Feb 20	10,100
1996-97	868.0	1.8	40.4	29,240	Jan 25	4,440
1997-98	1,760.0	11.0	70.7	51,170	Feb 07	14,500
1998-99	314.0	3.4	26.1	18,980	Nov 28	2,150
1999-00	1,220.0	6.9	81.1	58,900	Apr 18	6,480
2000-01	3,320.0E	6.9*	83.5E	60,440E		N.D.
2001-02	1,025.1	8.9	74.3	53,896.8	Nov 24	11,784

M	Data Missing
*	Record incomplete
E	Estimate
N.D.	Not determined
**	Record not Computed
+	Less than 0.05 Acre Feet or less than 0.05 CFS, but greater than 0

RUNOFF – STREAM GAGING STATION PEAK FLOW

SANTA ANITA WASH @ Longden Avenue
STATION NO. F193B-R

Season	Daily CFS			Total Runoff (Acre-feet)	Peak Inflow	
	Maximum	Minimum	Mean		Date	CFS
1959-60	55.0	+	0.6	465.0	Apr 27	534
1960-61	33.0	0.0	0.3	216.0	Nov 12	314
1961-62	693.0	0.0	8.2	5,910	Feb 11	1,780
1962-63	101.0	0.0	1.0	709.0	Feb 09	621
1963-64	47.0	0.0	0.9	650.0	Nov 20	581
1964-65	63.0	0.0	1.4	985.0	Apr 09	518
1965-66	541.0	+	12.0	8,730	Dec 29	1,380
1966-67	613.0	+	16.0	11,570	Dec 06	1,180
1967-68	111.0	+	1.7	1,230	Nov 19	816
1968-69	2,760.0	+	46.9	33,930	Jan 25	6,850
1969-70	150.0	+	3.2	2,300	Mar 02	1,290
1970-71	350.0	+	3.4	2,440	Dec 21	590
1971-72	71.0	0.0	0.4	320.0	Dec 24	324
1972-73	595.0	0.0	5.9	4,270	Feb 27	1,630
1973-74	158.0	+	2.9	2,090	Jan 07	518
1974-75	95.0	0.0	1.2	875.0	Dec 04	943
1975-76	82.0	0.0	1.5	1,060	Sep 11	766
1976-77	46.0	0.0	1.0	752.0	Oct 23	694
1977-78	877.0	0.0	35.5	25,720	Feb 10	2,350
1978-79	1,160.0	0.1	12.4	8,978	Feb 21	1,730
1979-80	1,690.0	0.1	72.1	51,148	Jan 29	2,090
1980-81	121.0	0.0	1.3	963.0	Jan 29	1,100
1981-82	176.0	0.0	3.4	2,485	Mar 17	1,060
1982-83	958.0	0.0	79.5	57,533	Mar 02	2,240
1983-84	143.0	0.1	8.9	6,453	Nov 01	656
1984-85	92.7	0.0	3.0	2,142	Dec 19	517
1985-86	104.0	0.2	6.9	4,987	Feb 14	379
1986-87	27.3	0.0	0.6	454.0	Oct 02	858
1987-88	82.0	0.0	1.6	1,156	Jan 17	858
1988-89	42.2	0.0	1.0	717.0	Dec 16	180
1989-90	76.6	0.0	0.8	617.0	Jan 13	463
1990-91	104.0	0.0	2.2	1,602	Mar 01	490

M	Data Missing
*	Record incomplete
E	Estimate
N.D.	Not determined
**	Record not Computed
+	Less than 0.05 Acre Feet or less than 0.05 CFS, but greater than 0

RUNOFF – STREAM GAGING STATION PEAK FLOW

SANTA ANITA WASH @ Longden Avenue
STATION NO. F193B-R

Season	Daily CFS			Total Runoff (Acre-feet)	Peak Inflow	
	Maximum	Minimum	Mean		Date	CFS
1991-92	498.0	0.0	19.2	13,964	Feb 12	1,320
1992-93	552.0	0.0	35.7	25,860	Jan 18	1,370
1993-94	354.0	0.0	2.2	1,623	Apr 27	404
1994-95	375.0	0.0	19.2	13,920	Jan 10	1,070
1995-96	299.0	0.0	4.5	3,257	Jan 31	1,550
1996-97	89.0	+	5.7	4,110	Jan 26	443
1997-98	910.0	+	22.1	16,010	Feb 06	883
1998-99	34.0	0.0	1.0	717.0	Jan 26	230
1999-00	71.0	+	2.1	1,510	Feb 21	581
2000-01	86.0	+	2.9	2,110	Jan 11	430
2001-02	43.5	0.0	1.1	813.1	Nov 24	611

M	Data Missing
*	Record incomplete
E	Estimate
N.D.	Not determined
**	Record not Computed
+	Less than 0.05 Acre Feet or less than 0.05 CFS, but greater than 0

RUNOFF – STREAM GAGING STATION PEAK FLOW

SANTA ANITA WASH *below* Foothill Blvd.
 STATION NO. F260C-R

Season	Daily CFS			Total Runoff (Acre-feet)	Peak Inflow	
	Maximum	Minimum	Mean		Date	CFS
1935-36	0.0	0.0	0.0			
1936-37	140.0	0.0	10.0	6,448.3	Feb 15	174
1937-38	468.0	0.0	3.4	2,330.0		
1938-39	46.0	0.0	2.0	1,471.3	Jan 05	128
1939-40	58.0	0.0	1.6	1,062.3	Jan 08	248
1940-41	262.0	0.0	18.1	12,930.8	Mar 04	482
1941-42	26.0	0.0	1.0	692.6	Dec 29	65
1942-43	2,130.0	0.0	30.0	21,674.2	Jan 23	3,800
1943-44	395.0	0.0	8.7	6,139.4	Feb 22	747
1944-45	92.0	0.0	2.3	1,540.0	Jun 25	225
1945-46	182.0	0.0	2.0	1,479.5	Dec 23	350
1946-47	144.0	0.0	3.4	2,488.7	Dec 29	289
1947-48	N.D.					
1948-49	N.D.					
1949-50	N.D.					
1950-51	N.D.					
1951-52	N.D.					
1952-53	N.D.					
1953-54	N.D.					
1954-55	N.D.					
1955-56	N.D.					
1956-57	N.D.					
1957-58	254.0	0.0	8.9	6,316.6		
1958-59	66.0	0.0	0.7	474.8	Jan 06	1,000
1959-60	10.2	0.0	0.2	161.3	Jan 11	194
1960-61	9.5	0.0	0.1	96.2	Nov 05	257
1961-62	584.0	0.0	7.3	4,982.9	Feb 11	1,440
1962-63	43.0	0.0	0.6	408.2	Feb 09	257
1963-64	32.0	0.0	0.6	423.3	Jan 22	335
1964-65	27.0	0.0	0.6	446.5	Apr 16	267
1965-66	481.0	0.0	10.5	7,589.0	Dec 29	1,260
1966-67	489.0	0.0	14.8	10,772.2	Dec 06	914

M Data Missing
 * Record incomplete
 E Estimate
 N.D. Not determined
 ** Record not Computed
 + Less than 0.05 Acre Feet or less than 0.05 CFS, but greater than 0

RUNOFF – STREAM GAGING STATION PEAK FLOW

SANTA ANITA WASH *below* Foothill Blvd.
STATION NO. F260C-R

Season	Daily CFS			Total Runoff (Acre-feet)	Peak Inflow	
	Maximum	Minimum	Mean		Date	CFS
1967-68	N.D.					
1968-69	N.D.					
1969-70	N.D.					
1970-71	N.D.					
1971-72	N.D.					
1972-73	N.D.					
1973-74	N.D.					
1974-75	43.0	0.0	0.5	378.8	Dec 04	477
1975-76	53.5	0.0	0.8	583.5	Feb 09	209
1976-77	35.9	0.0	0.6	414.7	Oct 23	437
1977-78	937.0	0.0	41.6	30,147.0	Feb 10	2,030
1978-79	29.3	0.0	2.3	1,685.8	Feb 21	335
1979-80	N.D.					
1980-81	39.5	0.0	0.9	652.0	Mar 19	411
1981-82	100.0	0.0	2.8	2,019.2	Mar 17	346
1982-83	773.0	0.0	30.2	21,839.8	Mar 02	1,340
1983-84	61.5	0.0	5.7	4,150.8	Nov 01	398
1984-85	110.0	0.0	4.5	3,282.6	Dec 19	378
1985-86	913.0	0.0	0.0	0.0		
1986-87	64.3	0.0	2.0	1,415.2	Jan 04	424
1987-88	40.8	0.0	1.3	938.8	Jan 17	975
1988-89	22.4	0.0	1.0	673.8	Dec 16	91
1989-90	28.0	0.0	0.7	537.1	Feb 17	189
1990-91	52.7	0.0	0.8	570.0	Feb 28	323
1991-92	593.0	0.0	27.7	20,116.0	Feb 12	1,110
1992-93	572.0	0.0	33.8	24,439.1	Jan 18	905
1993-94	59.2	0.0	5.8	4,192.3	Feb 17	175
1994-95	215.0	0.0	15.7	11,368.9	Mar 10	517
1995-96	236.0	0.0	9.4	5,846.3		
1996-97	86.0	0.0	4.8	3,454.6	Jan 26	252
1997-98	429.0	0.0	11.6	8,366.7		N.D.
1998-99	3.0	0.0	0.1	49.4	Jan 26	76

M Data Missing
 * Record incomplete
 E Estimate
 N.D. Not determined
 ** Record not Computed
 + Less than 0.05 Acre Feet or less than 0.05 CFS, but greater than 0

RUNOFF – STREAM GAGING STATION PEAK FLOW

SANTA ANITA WASH *below* Foothill Blvd.
 STATION NO. F260C-R

Season	Daily CFS			Total Runoff (Acre-feet)	Peak Inflow	
	Maximum	Minimum	Mean		Date	CFS
1999-00	63.0	0.0	1.7	1,257.5	Feb 21	479
2000-01	89.0	0.0	1.3	930.0	Jun 28	264
2001-02	2.2	0.0	0.6	426.3	Nov 24	22

M	Data Missing
*	Record incomplete
E	Estimate
N.D.	Not determined
**	Record not Computed
+	Less than 0.05 Acre Feet or less than 0.05 CFS, but greater than 0

RUNOFF – STREAM GAGING STATION PEAK FLOW

SANTA CLARA RIVER @ Old Road Bridge
STATION NO. F92C-R

Season	Daily CFS			Total Runoff (Acre-feet)	Peak Inflow	
	Maximum	Minimum	Mean		Date	CFS
1930-31	291.0	0.1	2.6	1,890	07-Feb	2,310
1931-32	739.0	0.1	5.9	4,280	09-Feb	2,090
1932-33	90.0	0.0	0.7	488	19-Jan	618
1933-34	448.0	+	2.2	1,600	01-Jan	3,870
1934-35	82.0	+	1.5	1,090	05-Jan	608
1935-36	113.0	0.0	2.2	1,590	23-Feb	833
1936-37	471.0	0.0	6.7	4,850	27-Dec	3,410
1937-38	6,370.0	+	37.2	26,900	02-Mar	24,000E
1938-39	435.0E	+	14.4	10,410	15-Dec	4,620
1939-40	79.0	0.3	2.2	1,570	01-Feb	676
1940-41	3,450.0	0.3	57.1	41,320	04-Mar	5,050
1941-42	167.0	0.6	32.3	23,400	28-Dec	443
1942-43	5,420.0	1.4	65.2	47,170	23-Jan	15,000
1943-44	9,360.0	2.0	68.6	49,770	22-Feb	22,200
1944-45	110.0	2.2	15.3	11,050	02-Feb	317
1945-46	194.0	0.4	8.9	6,440	30-Mar	500
1946-47	371.0	1.0	15.4	11,150	26-Dec	1,620
1947-48	33.0E	0.8	3.1	2,270	24-Mar	350E
1948-49	4.9	0.4	1.8	1,300	11-Mar	10
1949-50	5.2	0.1	1.2	888	06-Feb	9
1950-51	2.0	+	0.3	217	29-Jan	6
1951-52	1,620.0	+	23.1	16,760	16-Jan	7,600
1952-53	43.0	0.1	0.8	592	01-Dec	N.D.
1953-54	104.0	+	1.6	1,160	19-Jan	626
1954-55	96.0	+	0.8	612	18-Jan	746
1955-56	184.0	+	1.4	1,000	26-Jan	344
1956-57	195.0	0.0	1.4	1,020	28-Feb	1,920
1957-58	1,440.0	0.0	14.7	10,620	03-Apr	3,850
1958-59	215.0	0.0	1.3	940	06-Jan	1,410
1959-60	12.0	0.0	0.4	288	27-Apr	151
1960-61	58.0	0.0	0.7	533	05-Nov	830

M	Data Missing
*	Record incomplete
E	Estimate
N.D.	Not determined
**	Record not Computed
+	Less than 0.05 Acre Feet or less than 0.05 CFS, but greater than 0

RUNOFF – STREAM GAGING STATION PEAK FLOW

SANTA CLARA RIVER @ Old Road Bridge
STATION NO. F92C-R

Season	Daily CFS			Total Runoff (Acre-feet)	Peak Inflow	
	Maximum	Minimum	Mean		Date	CFS
1961-62	1,690.0	0.0	14.5	10,470	12-Feb	4,250
1962-63	105.0	0.0	1.3	965	16-Mar	1,470
1963-64	85.0	0.0	1.1	780	22-Jan	860
1964-65	240.0	0.0	2.1	1,550	08-Apr	1,260
1965-66	3,200.0	0.0	22.0	15,990	29-Dec	11,600
1966-67	820.0	+	9.8	7,100	24-Jan	3,000
1967-68	475.0	0.0	4.2	3,070	24-Jan	2,810
1968-69	N.D.	0.2	**	30,170E	25-Feb	31,800E
1969-70	164.0	1.0	13.3	9,610	01-Mar	900
1970-71	1,830.0	0.5	15.1	10,930	29-Nov	8,150
1971-72	442.0	0.5	9.2	6,640	27-Dec	2,200
1972-73	1,470.0	0.4	13.0	9,450	11-Feb	4,760
1973-74	984.0	1.0	9.1	6,600	07-Jan	2,440
1974-75	187.0	0.9	5.4	3,910	04-Dec	1,120
1975-76	138.0	+	3.7	2,710	10-Sep	999
1976-77	273.0	+	3.8	2,750	08-May	2,510
1977-78	*	*	*	*	10-Feb	*
1978-79	605.0	1.0	16.0	11,617	28-Mar	3,370
1979-80	*	*	*	*		*
1980-81	NO RECORD					
1981-82	NO RECORD					
1982-83	5,214.0	0.8	113.8	83,154	01-Mar	14,925
1983-84	*	*	*	*		*
1984-85	295.0	1.0	18.8	13,558	19-Dec	1,820
1985-86	492.0	7.5	24.7	17,896	14-Feb	1,050
1986-87	71.3	5.2	14.3	10,197	18-Nov	444
1987-88	485.0	0.0	16.5	11,981	04-Dec	1,450
1988-89	145.0	3.7	11.9	8,535	16-Dec	876
1989-90	18.0	4.9	12.2	8,864	17-Feb	523
1990-91	604.0	2.4	13.9	10,058	01-Mar	2,750
1991-92	*	*	*	*		*

M	Data Missing
*	Record incomplete
E	Estimate
N.D.	Not determined
**	Record not Computed
+	Less than 0.05 Acre Feet or less than 0.05 CFS, but greater than 0

RUNOFF – STREAM GAGING STATION PEAK FLOW

SANTA CLARA RIVER @ Old Road Bridge
 STATION NO. F92C-R

Season	Daily CFS			Total Runoff (Acre-feet)	Peak Inflow	
	Maximum	Minimum	Mean		Date	CFS
1992-93	*	*	*	*		*
1993-94	*	*	*	*		*
1994-95	*	*	*	*		*
1995-96	*	*	*	*		*
1996-97	181.0	1.9	8.6	6,190	22-Dec	2,000
1997-98	7,080.0	1.3	89.2	53,800	23-Feb	19,000
1998-99	136.0	4.3	15.7	11,330	31-Jan	1,610
1999-00	1,300.0	3.0	18.7	13,600	23-Feb	8,770
2000-01	27.0	2.6	7.8	5,620	24-Jan	30
2001-02	17.0	2.2	5.2	2,350.0	17-Feb	38

M	Data Missing
*	Record incomplete
E	Estimate
N.D.	Not determined
**	Record not Computed
+	Less than 0.05 Acre Feet or less than 0.05 CFS, but greater than 0

RUNOFF – STREAM GAGING STATION PEAK FLOW

SANTA FE DIVERSION CHANNEL *below* Santa Fe Dam
 STATION NO. F280-R

Season	Daily CFS			Total Runoff (Acre-feet)	Peak Inflow	
	Maximum	Minimum	Mean		Date	CFS
1943-44	253.0	0.0	20.9	15,180	May 18	253
1944-45	0.0	0.0	0.0	0.0		0
1945-46	479.0	0.0	31.2	22,610	Sep 13	484
1946-47	446.0	0.0	16.8	12,200	Nov 27	484
1947-48	786.0	0.0	10.9	7,880	Jun 04	800
1948-49	0.0	0.0	0.0	0.0		0
1949-50	0.0	0.0	0.0	0.0		0
1950-51	0.0	0.0	0.0	0.0		0
1951-52	381.0	0.0	3.2	2,280	Mar 16	732
1952-53	819.0	0.0	10.7	7,720	Nov 03	839
1953-54	750.0	0.0	11.5	8,350	May 07	752
1954-55	0.0	0.0	0.0	0.0		0
1955-56	0.0	0.0	0.0	0.0		0
1956-57	452.0	0.0	4.7	3,400	Apr 16	455
1957-58	621.0	0.0	27.0	19,530	Apr 04	635
1958-59	0.0	0.0	0.0	0.0		0
1959-60	0.0	0.0	0.0	0.0		0
1960-61	0.0	0.0	0.0	0.0		0
1961-62	547.0	0.0	12.7	9,190	Feb 12	819
1962-63	0.0	0.0	0.0	0.0		0
1963-64	0.0	0.0	0.0	0.0		0
1964-65	+	0.0	+	+	Sep 08	1
1965-66	348.0	0.0	10.4	7,540	Jan 07	425
1966-67	227.0	0.0	21.3	15,470	Dec 18	236
1967-68	0.8	0.0	+	33.0	Nov 20	1
1968-69	268.0	0.0	33.6	24,340	Apr 15	290
1969-70	55.0	0.0	1.9	1,360	Mar 03	202
1970-71	90.0	0.0	3.4	2,430	Dec 24	92
1971-72	95.0	0.0	1.0	697.0	Jan 19	116
1972-73	222.0	0.0	13.0	9,410	Feb 21	280
1973-74	233.0	0.0	6.4	4,650	Apr 16	241
1974-75	24.0	0.0	0.6	466.0	Apr 22	27
1975-76	0.0	0.0	0.0	0.0		0

M Data Missing
 * Record incomplete
 E Estimate
 N.D. Not determined
 ** Record not Computed
 + Less than 0.05 Acre Feet or less than 0.05 CFS, but greater than 0

RUNOFF – STREAM GAGING STATION PEAK FLOW

SANTA FE DIVERSION CHANNEL *below* Santa Fe Dam
STATION NO. F280-R

Season	Daily CFS			Total Runoff (Acre-feet)	Peak Inflow	
	Maximum	Minimum	Mean		Date	CFS
1976-77	23.5	0.0	2.0	1,439	Aug 17	52
1977-78	*	*	56.2	40,699	Apr 21	432
1978-79	148.0	0.0	16.7	12,113	May 01	195
1979-80	388.0	0.0	48.3	34,730	Mar 02	440
1980-81	370.0	0.0	19.8	14,360	Nov 20	384
1981-82	268.0	0.0	18.0	13,050	Jun 17	284
1982-83	365.0	0.0	49.9	36,043	Jul 13	400
1983-84	382.0	0.0	23.1	16,768	Oct 14	453
1984-85	31.7	0.0	0.4	278.0	Dec 19	57
1985-86	378.0	0.0	40.2	29,110	Feb 27	391
1986-87	4.7	0.0	1.9	115.0	Nov 18	7
1987-88	424.0	0.0	11.5	8,362	Jun 09	429
1988-89	7.0	0.0	0.4	302.0	May 11	11
1989-90	0.0	0.0	0.0	0.0		0
1990-91	547.0	0.0	23.5	16,782	Jul 31	566
1991-92	428.0	0.0	50.2	36,405	Feb 04	450
1992-93	193.0	0.0	42.0	30,370	Aug 09	215
1993-94	72.0	0.0	2.1	1,511	Jul 29	129
1994-95	410.0	0.0	23.5	17,050	Dec 04	414
1995-96	385.0	0.0	35.8	25,988	Oct 05	397
1996-97	393.0	0.0	19.6	14,220	Jul 22	407
1997-98	452.0	0.0	23.5	17,010	May 19	467
1998-99	113.0	0.0	2.2	1,570	Feb 10	225
1999-00	0.0	0.0	0.0	0.0		0
2000-01	16.0	0.0	0.7	470.0	Jan 08	179
2001-02	16.8	0.0	0.3	217.3	Jan 16	22

M	Data Missing
*	Record incomplete
E	Estimate
N.D.	Not determined
**	Record not Computed
+	Less than 0.05 Acre Feet or less than 0.05 CFS, but greater than 0

RUNOFF – STREAM GAGING STATION PEAK FLOW

SANTIAGO CREEK *above* Little Rock Creek
STATION NO. F125-R

Season	Daily CFS			Total Runoff (Acre-feet)	Peak Inflow	
	Maximum	Minimum	Mean		Date	CFS
1953-54	24.0	0.0	0.9	631.0	Jan 25	44
1954-55	13.0	0.0	0.8	602.0	Feb 17	16
1955-56	41.0	0.0	0.6	406.0	Jan 26	87
1956-57	6.8	0.0	0.3	199.0	Jan 13	15
1957-58	58.0	0.0	3.2	2,280	Apr 03	107
1958-59	10.0	0.0	0.5	386.0	Feb 16	21
1959-60	1.3	0.0	0.1	75.0	Feb 02	2
1960-61	+	0.0	+	+	Aug 05	1
1961-62	118.0	0.0	1.3	945.0	Feb 11	199
1962-63	0.9	0.0	+	19.0	Apr 21	1
1963-64	0.4	0.0	+	10.0	Apr 02	1
1964-65	3.5	0.0	0.1	87.0	Apr 20	4
1965-66	78.0	0.0	1.3	926.0	Dec 29	269
1966-67	38.0	0.0	1.4	982.0	Dec 06	66
1967-68	9.5	0.0	0.5	380.0	Nov 21	17
1968-69	345.0	0.0	5.8	4,170	Jan 25	1,140
1969-70	14.0	0.0	0.6	455.0	Mar 01	21
1970-71	7.2	0.0	0.4	290.0	Nov 29	22
1971-72	3.2	0.0	0.1	75.0	Dec 24	5
1972-73	72.0	0.0	0.9	640.0	Feb 11	175
1973-74	4.3	0.0	0.2	144.0	Jan 17	6
1974-75	3.8	0.0	0.2	121.0	Mar 06	6
1975-76	14.0	0.0	0.1	55.0	Sep 24	1,060
1976-77	5.5	0.0	0.1	83.0	May 09	9
1977-78	*	*	*	*	Feb 09	*
1978-79	23.0	0.0	1.4	986.0	Mar 28	303
1979-80	67.0	0.0	3.1	2,227	Feb 16	193
1980-81	2.8	0.0	0.2	158.0		N.D.
1981-82	30.0	0.0	0.8	602.0		N.D.
1982-83	152.0	0.0	5.6	4,022	Mar 01	280
1983-84	11.2	0.0	1.0	711.0	Dec 25	26
1984-85	40.3	0.0	0.5	347.0	Dec 19	103
1985-86	13.7	0.0	0.5	337.0	Jan 30	24

M Data Missing
 * Record incomplete
 E Estimate
 N.D. Not determined
 ** Record not Computed
 + Less than 0.05 Acre Feet or less than 0.05 CFS, but greater than 0

RUNOFF – STREAM GAGING STATION PEAK FLOW

SANTIAGO CREEK *above* Little Rock Creek
 STATION NO. F125-R

Season	Daily CFS			Total Runoff (Acre-feet)	Peak Inflow	
	Maximum	Minimum	Mean		Date	CFS
1986-87	0.7	0.0	+	11.0	Mar 07	1
1987-88	17.0	0.0	3.3	204.0		N.D.
1988-89	10.9	0.0	2.9	165.0	Feb 09	86
1989-90	0.0	0.0	0.0	0.0		0
1990-91	19.7	0.0	0.2	109.0		N.D.
1991-92	50.8	0.0	0.9	627.0	Feb 12	97
1992-93	177.0	0.0	5.9	4,266	Feb 19	235
1993-94	1.5	0.0	0.3	248.0	Feb 14	2
1994-95	76.5	0.0	1.9	1,379	Mar 11	90
1995-96	55.6	0.0	0.5	335.0	Mar 05	75
1996-97	12.0	0.0	0.2	120.0	Jan 26	19
1997-98	121.0	0.0	4.2	3,050	Feb 23	317
1998-99	2.8	0.0	0.3	246.0	Jul 13	5
1999-00	6.1	0.0	0.1	98.0	Apr 18	7
2000-01	23.0	0.0	0.6	454.0	Mar 06	37
2001-02	N.D.					

M	Data Missing
*	Record incomplete
E	Estimate
N.D.	Not determined
**	Record not Computed
+	Less than 0.05 Acre Feet or less than 0.05 CFS, but greater than 0

RUNOFF – STREAM GAGING STATION PEAK FLOW

SAWPIT CREEK *below* Sawpit Dam
 STATION NO. F278-R

Season	Daily CFS			Total Runoff (Acre-feet)	Peak Inflow	
	Maximum	Minimum	Mean		Date	CFS
1941-42	1.3	0.0	0.1	30.3	Mar 13	3
1942-43	186.0	0.0	4.0	2,859.6	Jan 23	284
1943-44	50.0	0.0	1.0	667.4	Feb 22	67
1944-45	N.D.					
1945-46	21.0	0.0	0.2	169.2	Dec 23	36
1946-47	18.0	0.0	0.5	328.9	Dec 26	26
1947-48	N.D.					
1948-49	N.D.					
1949-50	N.D.					
1950-51	N.D.					
1951-52	N.D.					
1952-53	N.D.					
1953-54	N.D.					
1954-55	N.D.					
1955-56	N.D.					
1956-57	N.D.					
1957-58	N.D.					
1958-59	N.D.					
1959-60	N.D.					
1960-61	N.D.					
1961-62	N.D.					
1962-63	N.D.					
1963-64	N.D.					
1964-65	N.D.					
1965-66	N.D.					
1966-67	N.D.					
1967-68	N.D.					
1968-69	N.D.					
1969-70	N.D.					
1970-71	N.D.					
1971-72	N.D.					
1972-73	N.D.					

M Data Missing
 * Record incomplete
 E Estimate
 N.D. Not determined
 ** Record not Computed
 + Less than 0.05 Acre Feet or less than 0.05 CFS, but greater than 0

RUNOFF – STREAM GAGING STATION PEAK FLOW

SAWPIT CREEK *below* Sawpit Dam
STATION NO. F278-R

Season	Daily CFS			Total Runoff (Acre-feet)	Peak Inflow	
	Maximum	Minimum	Mean		Date	CFS
1973-74	N.D.					
1974-75	5.7	0.5	1.3	921.3	Oct 04	9
1975-76	6.1	0.2	0.9	646.0	Sep 11	20
1976-77	5.9	0.2	0.8	603.2	Oct 22	36
1977-78	87.9	0.2	6.5	4,716.9	Mar 04	132
1978-79	9.9	0.0	2.8	1,984.9	Oct 02	55
1979-80	110.0	0.0	4.8	3,485.2	Feb 06	216
1980-81	4.9	0.0	1.4	1,045.7	Mar 19	9
1981-82	38.6	0.4	1.8	1,307.1	Apr 26	72
1982-83	88.5	0.0	6.2	4,486.2	Mar 01	269
1983-84	15.2	0.0	1.8	1,268.8	May 07	63
1984-85	6.6	0.5	1.3	936.0	Dec 19	14
1985-86	10.1	0.0	1.7	1,204.0	Mar 08	13
1986-87	N.D.					
1987-88	4.2	0.4	1.7	1,192.7		
1988-89	9.5	0.2	1.0	740.4		
1989-90	5.5	0.0	0.8	544.9		
1990-91	34.3	0.0	1.5	1,089.1		
1991-92	43.9	0.4	2.6	1,909.7	Feb 11	59
1992-93	76.6	1.1	8.8	6,392.7	Feb 08	93
1993-94	4.1	1.4	2.1	1,555.2	Jun 22	30
1994-95	79.7	1.5	4.9	3,551.6	Mar 05	85
1995-96	32.0	0.1	3.1	2,247.3	Feb 22	35
1996-97	11.0	1.5	2.7	1,952.1	Jan 26	14
1997-98	89.0	1.7	4.2	3,039.1	Feb 24	143
1998-99	3.2	0.7	2.2	1,579.8	Jun 02	50
1999-00*	4.3	0.7	1.7	1,261.9	May 03	6
2000-01	8.1E	0.45E	1.47E	1060E	Feb 13	15
2001-02	1.8	0.1	1.0	694.6	Jan 27	8

M	Data Missing
*	Record incomplete
E	Estimate
N.D.	Not determined
**	Record not Computed
+	Less than 0.05 Acre Feet or less than 0.05 CFS, but greater than 0

RUNOFF – STREAM GAGING STATION PEAK FLOW

SAWPIT WASH *below* Live Oak Avenue
 STATION NO. F194B-R

Season	Daily CFS			Total Runoff (Acre-feet)	Peak Inflow	
	Maximum	Minimum	Mean		Date	CFS
1960-61	50.0	+	*	263*	Jan 26	420
1961-62	573.0	+	16.6	11,980	Feb 11	1,300
1962-63	137.0	+	1.6	1,180	Feb 09	690
1963-64	83.0	+	1.6	1,190	Jan 22	682
1964-65	95.0	+	2.1	1,500	Apr 09	1,290
1965-66	243.0	+	7.3	9,240	Dec 29	1,470
1966-67	298.0	+	22.0	16,020	Dec 03	1,120
1967-68	130.0	+	2.1	1,520	Nov 19	1,870
1968-69	1,270.0	+	53.7	38,870	Jan 25	3,960
1969-70	773.0	0.0	6.7	4,830	Feb 28	2,800
1970-71	196.0	+	5.8	4,190	Nov 29	1,350
1971-72	142.0	0.1	2.0	1,450	Dec 24	519
1972-73	381.0	0.0	16.8	12,130	Feb 27	2,860
1973-74	265.0	0.1	9.0	6,490	Jan 07	652
1974-75	180.0	+	2.8	2,010	Dec 04	2,140
1975-76	101.0	0.1	1.8	1,310	Sep 11	1,790
1976-77	118.0	0.1	3.8	2,732	Oct 23	1,090
1977-78	*	*	*	*	Feb 10	*
1978-79	160.0	0.2	20.3	14,687	Feb 21	1,280
1979-80	886.0	0.2	50.2	35,952	Feb 16	3,940
1980-81	376.0	0.0	23.1	16,742	Jan 29	900
1981-82	257.0	0.1	18.1	13,029	Mar 17	1,560
1982-83	530.0	0.1	56.4	40,867	Mar 01	2,890
1983-84	294.0	0.0	20.4	14,767	Oct 01	1,210
1984-85	122.0	0.0	2.6	1,873	Dec 19	801
1985-86	*	*	*	*		*
1986-87	99.2	0.1	1.2	857.0	Oct 02	1,070
1987-88	385.0	0.0	12.9	9,344	Dec 04	1,630
1988-89	75.8	0.0	1.6	1,167	Dec 16	555
1989-90	147.0	0.0	1.3	909.0	Jan 13	707
1990-91	331.0	0.0	17.3	12,646	Aug 08	375
1991-92	325.0	0.0	36.8	26,730	Feb 11	1,710

M Data Missing
 * Record incomplete
 E Estimate
 N.D. Not determined
 ** Record not Computed
 + Less than 0.05 Acre Feet or less than 0.05 CFS, but greater than 0

RUNOFF – STREAM GAGING STATION PEAK FLOW

SAWPIT WASH *below* Live Oak Avenue
 STATION NO. F194B-R

Season	Daily CFS			Total Runoff (Acre-feet)	Peak Inflow	
	Maximum	Minimum	Mean		Date	CFS
1992-93	352.0	0.0	42.4	30,690	Jan 14	4,160
1993-94	72.2	0.0	3.7	2,671	Mar 19	1,160
1994-95	495.0	0.1	29.2	21,160	Jan 10	1,940
1995-96	530.0	0.2	44.1	32,020	Jan 31	3,580
1996-97	393.0	0.1	22.6	16,350	Jan 26	1,130
1997-98	452.0	0.2	32.6	23,570	Feb 06	2,960
1998-99	142.0	0.2	3.5	2,500	Jan 26	543
1999-00	127.0	0.1	4.1	2,960	Apr 17	1,110
2000-01	187.0	0.1	3.4	2,440	Jan 02	2,200
2001-02	121.5	0.0	1.0	709.5	Nov 24	2,087

M Data Missing
 * Record incomplete
 E Estimate
 N.D. Not determined
 ** Record not Computed
 + Less than 0.05 Acre Feet or less than 0.05 CFS, but greater than 0

RUNOFF – STREAM GAGING STATION PEAK FLOW

THOMPSON CREEK *below* Thomson Creek Dam
 STATION NO. F32B-R

Season	Daily CFS			Total Runoff (Acre-feet)	Peak Inflow	
	Maximum	Minimum	Mean		Date	CFS
1945-46	N.D.					
1946-47	N.D.					
1947-48	N.D.					
1948-49	N.D.					
1949-50	N.D.					
1950-51	N.D.					
1951-52	4.6	0.0	0.0	32.5	Mar 17	5
1952-53	N.D.					
1953-54	N.D.					
1954-55	N.D.					
1955-56	N.D.					
1956-57	N.D.					
1957-58	7.3	0.0	0.3	219.2	Apr 05	9
1958-59	N.D.					
1959-60	N.D.					
1960-61	N.D.					
1961-62	N.D.					
1962-63	N.D.					
1963-64	N.D.					
1964-65	N.D.					
1965-66	N.D.					
1966-67	23.0	0.0	0.4	305.1	Dec 06	130
1967-68	N.D.					
1968-69	N.D.					
1969-70	N.D.					
1970-71	N.D.					
1971-72	N.D.					
1972-73	N.D.					
1973-74	N.D.					
1974-75	N.D.					
1975-76	N.D.					
1976-77	N.D.					

M Data Missing
 * Record incomplete
 E Estimate
 N.D. Not determined
 ** Record not Computed
 + Less than 0.05 Acre Feet or less than 0.05 CFS, but greater than 0

RUNOFF – STREAM GAGING STATION PEAK FLOW

THOMPSON CREEK *below* Thomson Creek Dam
STATION NO. F32B-R

Season	Daily CFS			Total Runoff (Acre-feet)	Peak Inflow	
	Maximum	Minimum	Mean		Date	CFS
1977-78	136.0	0.0	1.4	1,038.0	Mar 02	170
1978-79	3.6	0.0	0.1	46.4	May 04	8
1979-80	219.0	0.0	2.2	1,592.3	Feb 17	333
1980-81	N.D.					
1981-82	4.1	0.0	0.0	17.9	Feb 18	8
1982-83	76.5	0.0	0.8	581.4	Mar 02	83
1983-84	3.3	0.0	0.0	11.3	Dec 28	12
1984-85	N.D.					
1985-86	9.6	0.0	0.1	58.5	Mar 16	17
1986-87	N.D.					
1987-88	0.6	0.0	0.0	2.0	Jan 17	1
1988-89	0.3	0.0	0.0	2.4	Feb 04	1
1989-90	37.4	0.0	0.0	0.0	Apr 04	57
1990-91	2.2	0.0	0.0	33.7	Mar 02	3
1991-92	2.2	0.0	0.1	67.2	Feb 10	6
1992-93	54.7	0.0	1.9	1,323.0	Feb 08	113
1993-94	3.7	0.0	0.0	8.0	Nov 01	7
1994-95	25.8	0.0	0.4	299.0	Mar 06	63
1995-96	32.8	0.0	0.6	456.0	Feb 21	35
1996-97	11.0	0.0	0.1	50.0	Jan 29	55
1997-98	74.0	0.0	0.7	522.0	Feb 23	158
1998-99	0.1	0.0	0.0	14.0	Jul 14	0
1999-00	0.4	0.0	0.0	19.0	Apr 18	1
2000-01	1.1	0.0	0.0	4.3	Jan 16	10
2001-02	1.2	0.0	0.0	24.4	Nov 20	1

M Data Missing
 * Record incomplete
 E Estimate
 N.D. Not determined
 ** Record not Computed
 + Less than 0.05 Acre Feet or less than 0.05 CFS, but greater than 0

RUNOFF – STREAM GAGING STATION PEAK FLOW

TOPANGA CREEK *above* Mouth of Canyon
STATION NO. F54C-R

Season	Daily CFS			Total Runoff (Acre-feet)	Peak Inflow	
	Maximum	Minimum	Mean		Date	CFS
1930-31	186.0	+	1.0	705.0	Feb 14	386
1931-32	409.0	+	4.9	3,590	Feb 08	1,250
1932-33	542.0	+	3.1	2,240	Jan 19	1,430
1933-34	1,590.0	0.0	8.9	6,420	Dec 31	4,510
1934-35	130.0	+	1.9	1,360	Jan 05	1,200
1935-36	77.0	+	2.0	1,490	Feb 22	528
1936-37	413.0	+	9.1	6,620	Mar 15	1,130
1937-38	3,270.0	+	21.2	15,310	Mar 02	9,300E
1938-39	NO RECORD					
1939-40	183.0	+	2.9	2,080	Feb 01	1,280
1940-41	1,100.0E	+	26.2	18,940	Feb 20	8,700E
1941-42	47.0	+	0.8	540.0	Dec 28	385
1942-43	1,100.0E	+	12.0	8,720	Jan 22	2,200
1943-44	1,100.0E	0.1	9.6	6,970	Feb 22	5,070
1944-45	176.0	0.1	1.5	1,090	Feb 02	964
1945-46	182.0	+	1.9	1,390	Dec 23	905
1946-47	86.0	+	1.4	994.0	Nov 20	567
1947-48	23.0	0.0	0.2	168.0	Mar 24	276
1948-49	5.0	+	0.1	99.0	Dec 26	63
1949-50	35.0	+	0.5	379.0	Dec 18	275
1950-51	2.4	+	0.1	74.0	Jan 11	21
1951-52	1,990.0	0.0	23.3	16,900	Jan 15	6,050
1952-53	52.0	+	1.0	725.0	Dec 01	702
1953-54	396.0	0.0	2.5	1,820	Feb 13	2,090
1954-55	33.0	+	0.5	354.0	Jan 18	151
1955-56	337.0	+	1.4	1,030	Jan 26	1,540
1956-57	69.0	+	0.5	374.0	Feb 23	655
1957-58	599.0	+	10.4	7,460	Apr 03	3,950
1958-59	141.0	+	1.1	785.0	Jan 06	1,510
1959-60	76.0	+	0.6	422.0	Apr 27	539
1960-61	8.1	+	0.1	58.0	Jan 26	28
1961-62	1,150.0	+	10.7	7,720	Feb 10	2,790

M	Data Missing
*	Record incomplete
E	Estimate
N.D.	Not determined
**	Record not Computed
+	Less than 0.05 Acre Feet or less than 0.05 CFS, but greater than 0

RUNOFF – STREAM GAGING STATION PEAK FLOW

TOPANGA CREEK *above* Mouth of Canyon
STATION NO. F54C-R

Season	Daily CFS			Total Runoff (Acre-feet)	Peak Inflow	
	Maximum	Minimum	Mean		Date	CFS
1962-63	66.0	+	0.6	454.0	Feb 09	569
1963-64	17.0	+	0.2	178.0	Jan 21	196
1964-65	148.0	+	1.2	886.0	Apr 09	716
1965-66	1,120.0	+	10.0	7,270	Dec 29	3,500
1966-67	569.0	0.1	7.0	5,070	Jan 24	2,280
1967-68	186.0	0.1	2.2	1,570	Mar 08	567
1968-69	4,920.0	0.1	40.6	29,400	Jan 25	12,200
1969-70	84.0	0.0	1.2	902.0	Mar 04	844
1970-71	720.0	+	6.3	4,560	Jan 29	3,020
1971-72	110.0	0.2	1.1	809.0	Dec 27	588
1972-73	1,140.0	0.1	8.6	6,250	Feb 11	3,840
1973-74	1,060.0	0.1	5.7	4,110	Jan 07	2,060
1974-75	286.0	0.1	3.0	2,200	Mar 06	1,670
1975-76	24.0	+	0.3	214.0	Feb 09	72
1976-77	30.0	+	0.6	405.0	Jan 03	219
1977-78	2,676.0	0.1	32.4	23,480	Mar 04	10,127
1978-79	425.0	0.2	7.2*	5,180	Mar 27	2,490
1979-80	3,919.0	0.2	33.2	23,236	Feb 16	20,200
1980-81	89.7	0.1	1.8	1,279	Mar 02	219
1981-82	143.8	0.2	1.5	1,066	Mar 17	650
1982-83	2,274.0	0.2	277.0	19,241	Jan 27	10,200
1983-84	203.0	0.2	2.2	1,445	Dec 25	2,612
1984-85	26.3	0.2	1.3	943.0	Dec 26	56
1985-86	823.0	0.2	10.0	7,211	Feb 14	5,135
1986-87	*	*	*	*		*
1987-88	*	*	*	*		*
1988-89	9.7	0.1	0.4	283.0	Dec 21	32
1989-90	*	*	*	*		*
1990-91	Discont	2/90	Restored	10/97.		
1996-97	80.0	0.5	3.0	2,140	Dec 09	229
1997-98	494.0	0.7	24.4	17,640	Feb 23	2,470
1998-99	19.0	0.5	1.2	839.0	Apr 11	93

M	Data Missing
*	Record incomplete
E	Estimate
N.D.	Not determined
**	Record not Computed
+	Less than 0.05 Acre Feet or less than 0.05 CFS, but greater than 0

RUNOFF – STREAM GAGING STATION PEAK FLOW

TOPANGA CREEK *above* Mouth of Canyon
 STATION NO. F54C-R

Season	Daily CFS			Total Runoff (Acre-feet)	Peak Inflow	
	Maximum	Minimum	Mean		Date	CFS
1999-00	133.0	0.3	2.8	2,030	Feb 23	1,050
2000-01	257.0	0.5	7.6	5,520	Jan 11	2,820
2001-02	35.2	0.0	1.4	1,048.5	Nov 24	195

M	Data Missing
*	Record incomplete
E	Estimate
N.D.	Not determined
**	Record not Computed
+	Less than 0.05 Acre Feet or less than 0.05 CFS, but greater than 0

RUNOFF – STREAM GAGING STATION PEAK FLOW

VERDUGO WASH @ Estelle Avenue
STATION NO. F252-R

Season	Daily CFS			Total Runoff (Acre-feet)	Peak Inflow	
	Maximum	Minimum	Mean		Date	CFS
1928-29	15.0	0.0	*	140*	Apr 04	56*
1929-30	14.0	0.0	0.4	274.0	May 03	80
1930-31	8.4	+	0.2	145.0	Apr 26	46
1931-32	39.0	0.1	1.0	713.0	Feb 09	145
1932-33	42.0	0.1	0.4	295.0	Jan 19	391
1933-34	NO RECORD					
1934-35	85.0*	0.0	*	620.0	Jan 05	1,020*
1935-36	33.0	0.0	0.6	463.0	Mar 30	1,100*
1936-37	*	0.0	*	1,560	Dec 27	768
1937-38	1,500.0	0.0	7.5	5,450	Mar 02	4,400E
1938-39	78.0	0.0	2.0	1,420	Jan 05	520
1939-40	60.0	+	2.0	1,430	Jan 08	533
1940-41	357.0	+	10.2	7,370	Feb 19	1,120
1941-42	81.0	0.8	3.0	2,160	Dec 10	440
1942-43	1,020.0	0.3	12.0	8,690	Jan 23	3,570
1943-44	998.0	0.2	7.0	5,040	Feb 22	3,160
1944-45	181.0	0.6	2.8	2,010	Feb 02	1,520
1945-46	135.0	0.3	2.7	1,930	Dec 22	816
1946-47	234.0	0.0	2.7	1,940	Dec 25	1,860
1947-48	41.0	0.0	0.5	382.0	Mar 24	573
1948-49	35.0	0.0	0.6	433.0	Dec 16	202
1949-50	69.0	0.0	0.9	638.0	Feb 06	467
1950-51	41.0	0.0	0.5	383.0	Jan 11	960
1951-52	422.0	0.0	7.8	5,630	Jan 16	2,920
1952-53	100.0	0.0	1.3	968.0	Nov 15	1,520
1953-54	227.0	0.0	2.7	1,920	Feb 13	1,300
1954-55	134.0	0.0	2.0	1,480	Jan 18	784
1955-56	550.0	0.0	2.5	1,840	Jan 26	1,940
1956-57	184.0	0.0	1.9	1,400	Feb 23	2,960
1957-58	236.0	0.0	5.2	3,770	Feb 19	1,700
1958-59	232.0	0.0	2.0	1,440	Feb 16	2,080
1959-60	56.0	0.0	1.2	862.0	Jan 11	533

M Data Missing
 * Record incomplete
 E Estimate
 N.D. Not determined
 ** Record not Computed
 + Less than 0.05 Acre Feet or less than 0.05 CFS, but greater than 0

RUNOFF – STREAM GAGING STATION PEAK FLOW

**VERDUGO WASH @ Estelle Avenue
STATION NO. F252-R**

Season	Daily CFS			Total Runoff (Acre-feet)	Peak Inflow	
	Maximum	Minimum	Mean		Date	CFS
1960-61	98.0	+	0.9	667.0	Nov 05	676
1961-62	592.0	0.0	6.8	4,830	Feb 12	1,880
1962-63	370.0	+	2.0	1,460	Feb 09	2,180
1963-64	192.0	0.0	2.1	1,510	Jan 21	1,640
1964-65	249.0	+	3.8	2,780	Apr 08	1,480
1965-66	1,030.0	0.1	12.2	8,830	Dec 29	3,480
1966-67	422.0	0.5	10.4	7,530	Jan 22	3,230
1967-68	606.0	0.2	9.3	6,730	Mar 08	3,460
1968-69	1,850.0	1.8	36.1	26,120	Jan 25	5,050
1969-70	261.0	2.0	8.4	6,090	Feb 28	2,500
1970-71	931.0	1.8	10.6	7,690	Nov 29	5,330
1971-72	476.0	1.2	14.8	4,570	Dec 24	1,960
1972-73	897.0	1.0	12.8	9,280	Jan 18	4,010
1973-74	671.0	1.8	10.2	7,380	Jan 07	2,390
1974-75	373.0	0.7	7.7	5,590	Dec 04	3,390
1975-76	180.0	0.5	6.4	4,560	Mar 01	1,190
1976-77	210.0	0.3	6.0	4,318	Jan 03	2,100
1977-78	1,700.0	+	34.2	24,739	Feb 10	9,820
1978-79	*	*	*	*	Mar 27	*
1979-80	440.0	1.2	18.1	13,000	Feb 16	6,420
1980-81	266.0	1.5	12.0	8,706	Jan 29	2,870
1981-82	333.0	1.0	12.5	9,083	Apr 01	1,960
1982-83	1,260.0	2.0	37.0	26,750	Mar 01	6,714
1983-84	NO RECORD					
1984-85	279.0	1.0	9.2	6,686	Dec 19	2,430
1985-86	437.0	1.2	12.1	8,737	Mar 08	1,620
1986-87	158.0	1.5	5.0	3,635		N.D.
1987-88	688.0	2.3	19.3	14,042	Feb 01	4,150
1988-89	301.0	0.3	9.1	6,262	Dec 16	1,700
1989-90	474.0	+	5.7	4,120	Feb 17	1,820
1990-91	544.0	0.2	11.1	8,017		N.D.
1991-92	636.0	0.0	20.1	14,621	Feb 10	4,110

M	Data Missing
*	Record incomplete
E	Estimate
N.D.	Not determined
**	Record not Computed
+	Less than 0.05 Acre Feet or less than 0.05 CFS, but greater than 0

RUNOFF – STREAM GAGING STATION PEAK FLOW

VERDUGO WASH @ Estelle Avenue
 STATION NO. F252-R

Season	Daily CFS			Total Runoff (Acre-feet)	Peak Inflow	
	Maximum	Minimum	Mean		Date	CFS
1992-93	733.0	1.7	32.5	23,520	Jun 05	4,320
1993-94	265.0	0.0	10.4	7,543	Nov 30	2,220
1994-95	1,710.0	1.0	46.5	33,700	Jan 10	4,460
1995-96	1,260.0	0.8	18.6	13,520	Feb 21	3,460
1996-97	1,140.0	1.9	23.3	16,860	Dec 22	3,010
1997-98	966.0	3.9	22.3	16,150	Feb 07	5,550
1998-99	117.0	3.6	10.0	7,250	Nov 28	1,390
1999-00	289.0	2.9	11.7	8,470	Feb 16	2,700
2000-01	258.0	3.1	10.9	7,870	Jan 10	1,040
2001-02	264.6	0.3	10.5	7,544.5	Nov 24	4,328

M	Data Missing
*	Record incomplete
E	Estimate
N.D.	Not determined
**	Record not Computed
+	Less than 0.05 Acre Feet or less than 0.05 CFS, but greater than 0

RUNOFF – STREAM GAGING STATION PEAK FLOW

WALNUT CREEK *above* Puente Avenue
STATION NO. F304-R

Season	Daily CFS			Total Runoff (Acre-feet)	Peak Inflow	
	Maximum	Minimum	Mean		Date	CFS
1952-53	47.0	0.0	0.4	292.0	Dec 01	713
1953-54	297.0	0.0	34.9	25,290	Feb 13	1,500
1954-55	337.0	0.0	29.9	21,640	Jan 18	732
1955-56	1,120.0	0.0	68.5	49,730	Jan 26	3,450
1956-57	361.0	0.0	71.2	51,530	Feb 28	2,200
1957-58	494.0	0.0	11.7	8,490	Apr 07	2,510
1958-59	279.0	0.0	2.2	1,610	Jan 06	2,480
1959-60	163.0	0.0	1.8	1,300	Jan 12	1,160
1960-61	272.0	0.0	12.4	9,010	Jan 26	411
1961-62	431.0	*	*	4,800	Feb 11	2,090
1962-63	267.0	+	4.6	3,360	Mar 16	1,410
1963-64	232.0	+	3.9	2,860	Jan 22	1,280
1964-65	435.0	0.2	16.1	11,640	Apr 09	3,250
1965-66	646.0	0.2	11.0	7,920	Dec 29	2,060
1966-67	685.0	0.1	20.8	15,060	Jan 24	3,360
1967-68	647.0	+	23.3	16,880	Mar 08	3,390
1968-69	1,830.0	+	68.4	49,490	Feb 25	4,960
1969-70	278.0	+	4.5	3,250	Mar 01	2,210
1970-71	384.0	0.0	9.4	6,810	Dec 21	1,630
1971-72	546.0	0.0	4.1	3,070	Dec 24	2,650
1972-73	591.0	0.0	9.5	6,920	Jan 16	2,730
1973-74	749.0	0.1	9.2	6,670	Jan 07	2,020
1974-75	551.0	+	7.1	5,170	Dec 04	4,200
1975-76	255.0	+	3.9	2,800	Sep 10	1,200
1976-77	295.0	0.0	5.4	3,939	May 09	1,920
1977-78	1,970.0	0.0	65.0	47,085	Mar 04	7,820
1978-79	714.0	0.0	17.4	12,619	Mar 27	3,020
1979-80	2,490.0	0.0	54.5	38,432	Feb 16	6,280
1980-81	468.0	0.0	4.7	3,406	Mar 01	1,840
1981-82	724.0	0.0	11.1	8,030	Mar 14	2,800
1982-83	1,570.0	0.0	45.2	32,750	Feb 27	5,850
1983-84	424.0	0.0	5.7	4,138	Oct 01	2,340

M	Data Missing
*	Record incomplete
E	Estimate
N.D.	Not determined
**	Record not Computed
+	Less than 0.05 Acre Feet or less than 0.05 CFS, but greater than 0

RUNOFF – STREAM GAGING STATION PEAK FLOW

WALNUT CREEK *above* Puente Avenue
STATION NO. F304-R

Season	Daily CFS			Total Runoff (Acre-feet)	Peak Inflow	
	Maximum	Minimum	Mean		Date	CFS
1984-85	276.0	0.0	8.2	5,917	Nov 13	2,230
1985-86	532.0	0.0	13.2	9,537	Mar 08	3,580
1986-87	693.0	0.0	5.4	3,976	Oct 02	2,653
1987-88	454.0	0.0	7.3	5,355	Oct 22	3,288
1988-89	157.0	0.0	2.3	1,626	Mar 25	869
1989-90	43.7	0.0	2.9	2,066	May 28	2,006
1990-91	724.0	+	11.1	7,924	Mar 26	3,386
1991-92	1,090.0	0.0	28.1	20,383	Feb 12	6,400
1992-93	1,470.0	0.0	68.9	49,850	Jan 07	5,700
1993-94	249.0	0.0	6.6	4,807	Apr 26	2,690
1994-95	900.0	0.0	24.8	17,970	Jan 10	5,040
1995-96	1,200.0	0.0	17.0	12,338	Jan 31	5,400
1996-97	453.0	+	12.9	9,360	Jan 26	2,810
1997-98	1,310.0	+	39.0	28,250	Feb 07	5,670
1998-99	159.0	0.0	6.3	4,590	Nov 28	1,400
1999-00	381.0	0.0	11.0	8,010	Feb 23	3,130
2000-01	620.0	0.0	12.1	8,760	Jan 11	2,430
2001-02	320.4	0.0	2.8	2,001.4	Nov 24	5,196

M	Data Missing
*	Record incomplete
E	Estimate
N.D.	Not determined
**	Record not Computed
+	Less than 0.05 Acre Feet or less than 0.05 CFS, but greater than 0

RUNOFF – STREAM GAGING STATION PEAK FLOW

**WALNUT CREEK *below* Puddingstone Dam
STATION NO. F40-R**

Season	Daily CFS			Total Runoff (Acre-feet)	Peak Inflow	
	Maximum	Minimum	Mean		Date	CFS
1932-33	1.3	0.0	0.1	16.7	Jan 29	33
1933-34	3.2	0.0	0.3	40.0	Sep 17	+
1934-35	1.2	0.0	0.1	44.1	Oct 17	4
1935-36	0.5	0.0	0.1	35.6	Feb 12	13
1936-37	6.1	0.0	0.4	197.4	Feb 06	18
1937-38	99.0	0.1	6.6	4,820.4	Mar 07	104
1938-39	23.0	0.1	1.8	1,337.1	Oct 30	25
1939-40	1.0	0.1	0.2	144.6	Jan 07	7
1940-41	15.7	0.1	2.5	1,790.1	Feb 19	25
1941-42	44.0	0.1	2.3	1,640.5	Dec 03	91
1942-43	141.0	0.1	4.2	3,062.5	Mar 04	287
1943-44	51.0	0.1	1.5	1,120.1	Mar 02	51
1944-45	6.2	0.1	0.6	392.9	Feb 02	10
1945-46	30.0	0.1	3.9	2,833.7	Aug 31	37
1946-47	3.6	0.1	0.2	128.5	Nov 12	6
1947-48	0.7	0.0	0.1	32.1	Jul 13	7
1948-49	0.9	0.0	0.1	21.0	Jul 22	3
1949-50	1.5	0.0	0.0	28.4	Dec 18	4
1950-51	0.2	0.0	0.0	11.3	Dec 14	3
1951-52	2.9	0.0	0.1	108.1	Jan 16	12
1952-53	3.3	0.0	0.2	135.6	Apr 20	4
1953-54	362.0	0.0	42.2	30,644.6	Sep 23	392
1954-55	366.0	0.0	32.4	23,298.9	Dec 12	404
1955-56	396.0	0.1	70.1	50,797.5	Sep 30	389
1956-57	381.0	0.1	74.2	53,783.0	Apr 26	414
1957-58	5.4	0.0	0.4	314.4	Apr 07	16
1958-59	2.7	0.0	0.1	59.6	Jan 06	11
1959-60	0.5	0.0	0.1	41.5	Jan 12	3
1960-61	291.0	0.0	13.0	9,455.8	Nov 16	294
1961-62	1.5	0.0	0.1	48.9		
1962-63	21.0	0.0	0.7	481.9	Nov 28	21
1963-64	0.2	0.0	0.0	20.1	Feb 19	8

M	Data Missing
*	Record incomplete
E	Estimate
N.D.	Not determined
**	Record not Computed
+	Less than 0.05 Acre Feet or less than 0.05 CFS, but greater than 0

RUNOFF – STREAM GAGING STATION PEAK FLOW

**WALNUT CREEK *below* Puddingstone Dam
STATION NO. F40-R**

Season	Daily CFS			Total Runoff (Acre-feet)	Peak Inflow	
	Maximum	Minimum	Mean		Date	CFS
1964-65	309.3	0.0	10.4	7,431.4	Mar 20	310
1965-66	110.0	0.0	4.2	3,119.8	Dec 13	112
1966-67	157.0	0.0	13.9	10,035.8	May 05	159
1967-68	N.D.					
1968-69	N.D.					
1969-70	N.D.					
1970-71	N.D.					
1971-72	N.D.					
1972-73	N.D.					
1973-74	N.D.					
1974-75	94.0	0.0	0.0	0.0	Apr 11	450
1975-76	2.0	0.0	0.0	64.9	May 24	20
1976-77	15.2	0.0	0.3	214.2	May 18	31
1977-78	1,080.0	0.0	34.4	24,888.4	Mar 06	1,115
1978-79	37.8	0.2	5.7	4,121.3	Mar 09	80
1979-80	1,070.0	0.2	28.1	20,376.2	Feb 18	1,070
1980-81	31.7	0.1	0.7	515.1	Mar 01	34
1981-82	474.0	0.1	3.6	2,591.2	Mar 18	573
1982-83	550.0	0.1	21.0	15,239.2	Mar 01	622
1983-84	64.0	0.1	2.8	2,049.1	Feb 04	255
1984-85	205.0	0.1	1.2	873.7	Jan 13	216
1985-86	219.0	0.1	4.4	3,150.5	Mar 16	298
1986-87	151.0	0.0	2.6	1,112.9	Jan 14	159
1987-88	107.0	0.1	2.8	2,049.3		107
1988-89	44.0	0.1	2.5	1,842.0	Feb 10	48
1989-90	83.8	0.1	1.3	890.8	Feb 21	161
1990-91	361.0	0.1	3.8	2,774.5	Mar 27	700
1991-92	492.0	0.1	5.3	3,829.3	Feb 12	580
1992-93	608.0	0.1	39.0	28,252.2	Feb 19	863
1993-94	41.9	0.1	1.6	1,136.5	Dec 16	43
1994-95	779.0	0.1	13.7	9,925.9	Mar 06	834
1995-96	290.0	0.2	4.5	3,255.1	Feb 20	652

M	Data Missing
*	Record incomplete
E	Estimate
N.D.	Not determined
**	Record not Computed
+	Less than 0.05 Acre Feet or less than 0.05 CFS, but greater than 0

RUNOFF – STREAM GAGING STATION PEAK FLOW

WALNUT CREEK *below* Puddingstone Dam

STATION NO. F40-R

Season	Daily CFS			Total Runoff (Acre-feet)	Peak Inflow	
	Maximum	Minimum	Mean		Date	CFS
1996-97	105.0	0.3	5.5	3,957.1	Dec 30	114
1997-98	312.0	0.3	18.9	13,657.4	May 28	818
1998-99	36.0	0.2	1.3	963.9	Oct 01	126
1999-00	131.0	0.3	2.5	1,808.5	Feb 22	230
2000-01	202.0	0.2	4.0	2,930.0	Mar 03	569
2001-02	20.1	0.4	0.9	645.5	Jan 04	22

M	Data Missing
*	Record incomplete
E	Estimate
N.D.	Not determined
**	Record not Computed
+	Less than 0.05 Acre Feet or less than 0.05 CFS, but greater than 0

APPENDIX E

HYDROLOGIC REPORT 2001 – 2002

RESERVOIRS – YEARLY RESERVOIR OPERATION SUMMARY

RESERVOIRS – YEARLY RESERVOIR OPERATION SUMMARY

Big Dalton Dam

Season	Inflow Annual (AF)	Inflow		Outflow Annual (AF)	Peak Inflow	
		Max-Day (CFS)	Min-Day (CFS)		Date	Q (CFS)
1929-30	52	3	0	52		N.D.
1930-31	41	2	0	41	Apr 26	3
1931-32	690	54	0	688	Feb 09	86
1932-33	79	5	0	81	Jan 20	12
1933-34	448	93	0	448	Jan 01	227
1934-35	593	21	0	575	Apr 08	49
1935-36	360	12	0	370	Feb 11	72
1936-37	1879	51	0	1868	Feb 06	98
1937-38	3271	415	0	3192	Mar 02	1320
1938-39	280	4	0	288	Jan 05	26
1939-40	232	4	0	236	Jan 08	29
1940-41	2767	56	+	2748	Mar 04	88
1941-42	209	2	0	233	Mar 14	6
1942-43	3143	160	0	3110	Jan 23	595
1943-44	1087	109	+	1085	Feb 22	226
1944-45	734	19	0	729	Nov 11	47
1945-46	525	40	0	509	Dec 23	148
1946-47	492	16	0	512	Nov 20	56
1947-48	58	1	0	8	Apr 28	9.7
1948-49	94	1	0	113	Dec 17	3.3
1949-50	142	2	0	130	Feb 06	3.5
1950-51	27	2	+	14	Jan 11	4.8
1951-52	1626	73	0	1577	Jan 16	154
1952-53	120	1	+	68	Dec 01	4.8
1953-54	346	13	0	359	Jan 25	53
1954-55	87	1	+	5	Jan 18	2.4
1955-56	190	14	+	213	Jan 26	56
1956-57	76	1	+	27	Jan 13	1.8
1957-58	2104	97	0	2052	Apr 03	169
1958-59	160	6	+	133	Feb 16	26
1959-60	54	1	+	11	Apr 27	4.8
1960-61	187	18	0	1510	Nov 05	462
1961-62	1222	63	0	933	Dec 02	1130
1962-63	248	20	0	159	Feb 09	92
1963-64	165	3	0	300	Mar 22	30
1964-65	380	18	0	15	Apr 09	73

N.D. Not determined

R.I. Records incomplete

+ Less than 0.05 Acre Feet or less than 0.05 CFS, but greater than 0

RESERVOIRS – YEARLY RESERVOIR OPERATION SUMMARY

Big Dalton Dam

Season	Inflow Annual (AF)	Inflow		Outflow Annual (AF)	Peak Inflow	
		Max-Day (CFS)	Min-Day (CFS)		Date	Q (CFS)
1965-66	2210	113	0	2013	Nov 22	489
1966-67	4787	292	0	4790	Dec 06	685
1967-68	771	15	0	681	Nov 19	56
1968-69	13251	1210	0	12995	Jan 25	1540
1969-70	728	15	0	610	Feb 28	91
1970-71	856	22	0	1100	Dec 21	38
1971-72	217	10	+		Dec 27	11
1972-73	1386	100	+	1046	Feb 11	163
1973-74	860	43	0	1030	Jan 07	68
1974-75	379	4	0	211	Mar 06	7.8
1975-76	237	6	0	467	Mar 01	17
1976-77	171	3	0	20	Jan 03	14
1977-78	6182	232	0	6234	Mar 04	500
1978-79	R.I.					N.D.
1979-80	R.I.					N.D.
1980-81	349	5	0	364	Jan 29	29
1981-82	1018	50	0	923	Mar 17	53
1982-83	5562	240	0	5532	Mar 01	350
1983-84	703	8	0	704	Dec 25	16
1984-85	611	10	0	585	Dec 19	16
1985-86	886	20	0	865	Mar 16	26.3
1986-87	203	N.D.	0	196	Jan 04	N.D.
1987-88	342	7	0	324	Jan 17	17
1988-89	382	13	0	340	Feb 04	31
1989-90	112	3	0	90	Feb 17	8
1990-91	470	26	0	453	Mar 27	62
1991-92	1259	37	0	1243	Feb 12	121
1992-93	7102	322	0	7146	Jan 18	385
1993-94	369	3	0	300	Feb 07	4
1994-95	3839	73	0	3820	Jan 10	127
1995-96	1247	54	0	1215	Feb 20	96
1996-97	1127	7.6	0	1108		N.D.
1997-98	4703	213	0	4642	Feb 23	344
1998-99						N.D.
1999-00	208	17	0	218	Mar 09	N.D.
2000-01	271	4.7	0	256	Feb 13	38.0

N.D. Not determined

R.I. Records incomplete

+ Less than 0.05 Acre Feet or less than 0.05 CFS, but greater than 0

RESERVOIRS – YEARLY RESERVOIR OPERATION SUMMARY

Big Dalton Dam

Season	Inflow Annual (AF)	Inflow		Outflow Annual (AF)	Peak Inflow	
		Max-Day (CFS)	Min-Day (CFS)		Date	Q (CFS)
2001-02	28.5	0.4	0	0	Jan 27	1.1

N.D. Not determined
 R.I. Records incomplete
 + Less than 0.05 Acre Feet or less than 0.05 CFS, but greater than 0

RESERVOIRS – YEARLY RESERVOIR OPERATION SUMMARY

Big Tujunga Dam

Season	Inflow Annual (AF)	Inflow		Outflow Annual (AF)	Peak Inflow	
		Max-Day (CFS)	Min-Day (CFS)		Date	Q (CFS)
1932-33	4342	218	0	4518		N.D.
1933-34	4441	994	0	4234	Jan 01	2430
1934-35	11992	380	0	10698	Apr 08	718
1935-36	3875	130	0	5508	Feb 12	312
1936-37	26969	803	0.6	25729	Feb 06	1740
1937-38	64855	12030	1	65022	Mar 02	32940
1938-39	9905	327	1.2	9106	Dec 19	666
1939-40	7058	337	0.4	7197	Jan 08	2300
1940-41	59402	1200	0.9	59086	Mar 04	1570
1941-42	7120	70	0.8	7724	Dec 10	134
1942-43	52877	5700	1.1	52919	Jan 23	17850
1943-44	42270	2780	5	41722	Feb 22	4770
1944-45	13206	475	1.2	12231	Nov 11	1850
1945-46	11543	1150	0.8	12383	Mar 30	2310
1946-47	12987	674	0.9	12827	Nov 13	1690
1947-48	2679	44	0.7	3579	Apr 29	85
1948-49	2129	16	0.1	1645	Mar 11	18
1949-50	2029	32	0.2	1905	Feb 06	43
1950-51	841	7.7	0.1	1235	Apr 29	17
1951-52	27288	896	0.3	26125	Jan 18	2030
1952-53	3496	35	0.1	4873	Nov 15	108
1953-54	5389	212	0.1	5290	Jan 25	500
1954-55	2623	30	0.2	2282	Jan 18	52
1955-56	3026	233	0.4	3433	Jan 26	582
1956-57	1967	107	0.1	1660	Jan 13	283
1957-58	27558	1220	0.1	27563	Apr 03	2860
1958-59	3405	172	0.1	3152	Jan 06	213
1959-60	1183	12	0.3	1653	Jan 12	24
1960-61	838	14	0.4	718	Nov 06	35
1961-62	16711	2540	0.4	16776	Feb 11	5050
1962-63	1715	90	0.2	1359	Feb 10	237
1963-64	1526	40	0	2039	Jan 22	90
1964-65	2429	60	0.4	1503	Apr 09	165
1965-66	30772	2810	0.6	29779	Dec 29	10800
1966-67	30158	1180	1.6	30338	Dec 06	2600
1967-68	10584	352	1	11446	Nov 21	725

N.D. Not determined

R.I. Records incomplete

+ Less than 0.05 Acre Feet or less than 0.05 CFS, but greater than 0

RESERVOIRS – YEARLY RESERVOIR OPERATION SUMMARY

Big Tujunga Dam

Season	Inflow Annual (AF)	Inflow		Outflow Annual (AF)	Peak Inflow	
		Max-Day (CFS)	Min-Day (CFS)		Date	Q (CFS)
1968-69	107609	7800	0	106462	Feb 25	17800
1969-70	11643	372	1.5	11624	Mar 01	613
1970-71	12394	1100	2.1	11412	Nov 29	3970
1971-72	4118	194	0.5	3374	Dec 24	462
1972-73	15375	1914	0.5	14680	Feb 11	6320
1973-74	8663	256	0.9	5582	Jan 07	561
1974-75	5442	198	0.3	8666	Mar 06	315
1975-76	4482	408	0.1	3863	Feb 09	1400
1976-77	3928	164	1.2	3547	Jan 03	878
1977-78	R.I.					N.D.
1978-79	R.I.					N.D.
1979-80	R.I.					N.D.
1980-81	10927	226	3.0	11470	Jan 29	496
1981-82	16578	569	3.8	16557	Mar 17	1499
1982-83	95294	7065	3.8	93880	Mar 01	10007
1983-84	10861	337	0.0	11314	Dec 25	808
1984-85	7362	200	0.7	6952	Dec 19	361
1985-86	12370	529	0.4	11757	Jan 30	969
1986-87	2943	28	0.0	2843	Jan 04	53
1987-88	7121	190	0.0	6902	Feb 01	685
1988-89	4300	91	0.0	4208	Feb 10	131
1989-90	929	41	0.0	741	Feb 17	62
1990-91	8074	530	0.0	7992	Mar 01	1871
1991-92	31767	1249	0.1	31414	Feb 12	5167
1992-93	89492	3490	0.2	89311	Feb 19	7774
1993-94	8635	80	0.0	9241	Feb 08	170
1994-95	34562	1005	0.2	34532	Jan 10	3608
1995-96	8491	477	1.1	7970	Feb 21	530
1996-97	9025	156	0.3	8080		N.D.
1997-98	48676	3370	0.4	48281	Feb 23	8288
1998-99						N.D.
1999-00	5740	739	0	5923	Feb 22	N.D.
2000-01	8102	343	0	8032	Feb 13	399.4
2001-02	1307.6	15.2	0	906.2		N.D.

N.D. Not determined

R.I. Records incomplete

+ Less than 0.05 Acre Feet or less than 0.05 CFS, but greater than 0

RESERVOIRS – YEARLY RESERVOIR OPERATION SUMMARY

Cogswell Dam

Season	Inflow Annual (AF)	Inflow		Outflow Annual (AF)	Peak Inflow	
		Max-Day (CFS)	Min-Day (CFS)		Date	Q (CFS)
1934-35	3517	54	0.1	3517		N.D.
1935-36	7154	265	0	7138		N.D.
1936-37	32986	943	0.1	32996	Feb 14	1240
1937-38	60336	7990	1.4	58799	Mar 02	24710
1938-39	11560	673	0.9	11369	Sep 25	1360
1939-40	9634	309	0.8	9569	Jan 08	2020
1940-41	61270	1400	0.5	59951	Feb 20	1640
1941-42	6080	108	0.3	7331	Dec 10	294
1942-43	54700	2320	0.7	53703	Jan 23	15000
1943-44	38150	2,860	1.4	37460	Feb 22	4650
1944-45	11887	424	1.4	10385	Nov 11	1600
1945-46	14711	1260	0.8	16377	Mar 30	2790
1946-47	20135	1030	0.1	20135	Dec 25	2290
1947-48	3103	86	0.3	3032	Apr 29	262
1948-49	2911	32	0.3	2765	Jan 20	65
1949-50	3778	99	0.4	3536	Dec 18	239
1950-51	887	9.6	0.3	568	Apr 29	24
1951-52	33783	1260	0.3	25439	Jan 16	2640
1952-53	4410	70	0.8	12345	Dec 01	254
1953-54	8004	412	0.3	7500	Jan 24	1030
1954-55	3941	51	0.3	3165	Apr 30	176
1955-56	4070	419	0.1	3564	Jan 26	1040
1956-57	3421	225	0.2	3757	Jan 13	685
1957-58	36476	1460	0.0	34530	Apr 03	3710
1958-59	4904	340	0.4	6205	Jan 06	1760
1959-60	1935	27	0.5	2006	Jan 10	65
1960-61	1106	36	0.4	572	Jan 26	116
1961-62	25497	3480	0.3	23255	Feb 11	7010
1962-63	3220	153	0.6	4783	Feb 09	1017
1963-64	2587	89	0.4	2647	Apr 01	276
1964-65	5037	266	0.3	4159	Apr 09	479
1965-66	41747	2640	0.3	42170	Dec 29	9220
1966-67	40504	1860	0.6	32757	Dec 06	4650
1967-68	9569	338	0.6	12713	Nov 19	893
1968-69	95676	6380	0.1	90488	Jan 25	15700
1969-70	10222	410	1.0	13859	Feb 28	1020

N.D. Not determined

R.I. Records incomplete

+ Less than 0.05 Acre Feet or less than 0.05 CFS, but greater than 0

RESERVOIRS – YEARLY RESERVOIR OPERATION SUMMARY

Cogswell Dam

Season	Inflow Annual (AF)	Inflow		Outflow Annual (AF)	Peak Inflow	
		Max-Day (CFS)	Min-Day (CFS)		Date	Q (CFS)
1970-71	10822	1030	0.8	11683	Nov 29	2930
1971-72	4009	297	0.4	4557	Dec 24	798
1972-73	19613	2210	0.4	16632	Feb 11	6970
1973-74	12746	424	1.1	12051	Jan 07	880
1974-75	6610	241	1.1	8344	Mar 06	432
1975-76	5550	509	0.1	5040	Feb 09	824
1976-77	4955	206	0.3	5000	Jan 03	421
1977-78	86754	3852	0.0	86030	Feb 10	11200
1978-79	23057	519	1.9	24083	Jan 05	N.D.
1979-80	59867	3028	1.8	57887	Feb 16	6196
1980-81	5299	127	0	7752	Jan 29	511
1981-82	14258	605	0.4	9059	Mar 17	1238
1982-83	77775	3966	1.4	78446	Mar 02	5898
1983-84	9561	272	2.8	12495	Dec 25	790
1984-85	7167	284	0.0	6383	Dec 19	531
1985-86	15584	560	0.6	15314	Feb 15	916
1986-87	2194	35	0.1	2669	Jan 04	63
1987-88	11621	282	0.0	10919	Mar 01	528
1988-89	4953	99	0.0	5105	Feb 04	175
1989-90	1903	61	0.0	1775	Feb 18	99
1990-91	10229	605	0.0	10921	Mar 01	1063
1991-92	39922	2352	0.2	39922	Feb 11	5231
1992-93	83608	2330	0.0	78936	Feb 19	4135
1993-94	6896	105	0.2	11142	Feb 08	162
1994-95	41056	1002	0.1	41072	Jan 10	2479
1995-96	8780	496	0.1	8777	Feb 20	1056
1996-97	9428	192	0.2	8089		N.D.
1997-98	47709	3476	0.5	41403	Feb 23	7343
1998-99						N.D.
1999-00	5066	258	0.0	5083	Feb 21	365.1
2000-01	10268	210	0.0	10412	Feb 13	761.6
2001-02	1870.6	29.9	0	3747.4		N.D.

N.D. Not determined

R.I. Records incomplete

+ Less than 0.05 Acre Feet or less than 0.05 CFS, but greater than 0

RESERVOIRS - YEARLY RESERVOIR OPERATION SUMMARY
--

Devil's Gate Dam

Season	Inflow Annual (AF)	Daily Mean Inflow		Outflow Annual (AF)	Peak Inflow	
		Max-Day (CFS)	Min-Day (CFS)		Date	Q (CFS)
1933-34	2,938	757	0	0	Jan 01	3,310
1934-35	3,843	N.D.	0	N.D.	Oct 17	1,310
1935-36	3,457	N.D.	0	86	Feb 02	939
1936-37	12,030	340	0	2,818	Feb 06	852
1937-38	25,436	3,720	0	17,496	Mar 02	10,840
1938-39	3,044	200	0	634	Dec 19	201
1939-40	1,350	142	0	745	Jan 08	859
1940-41	27,013	1,380	0	24,582	Feb 20	3,870
1941-42	689	91	0	443	Dec 10	479
1942-43	25,655	2,560	0	23,552	Jan 23	7,740
1943-44	8,680	1,450	0	7,905	Feb 22	2,310
1944-45	2,341	288	0	2,031	Nov 11	949
1945-46	2,994	435	0	1,343	Dec 22	1,040
1946-47	4,045	285	0	3,949	Dec 25	1,280
1947-48	260	32	0	57	Mar 24	444
1948-49	185	14	0	37	Mar 10	59
1949-50	318	37	0	81	Feb 06	237
1950-51	171	18	0	17	Jan 11	468
1951-52	11,508	792	0	11,377	Jan 16	2,650
1952-53	563	51	0	194	Nov 15	823
1953-54	1,324	178	0	488	Jan 25	565
1954-55	651	50	0	154	Jan 18	334
1955-56	2,229	591	0	1,339	Jan 26	1,420
1956-57	926	111	0	142	Feb 23	795
1957-58	9,642	447	0	6,508	Apr 03	1,020
1958-59	1,055	160	0	465	Jan 06	1,280
1959-60	1,052	40	0	131	Jan 11	329
1960-61	1,035	131	0	488	Nov 06	1,260
1961-62	7,014	970	0	5,260	Feb 11	1,840
1962-63	1,215	289	0	251	Feb 09	1,290
1963-64	860	81	0	170	Jan 21	727
1964-65	1,721	170	0	246	Apr 09	755
1965-66	15,667	1,340	0	13,199	Nov 22	3,740
1966-67	16,391	934	0	6,057	Dec 06	2,130
1967-68	6,858	698	0	2,233	Nov 19	1,310
1968-69	44,817	4,220	0	39,164	Jan 25	7,910
1969-70	2,109	202	0	1,311	Mar 04	534

N.D. Not determined

R.I. Records incomplete

+ Less than 0.05 acre feet or less than 0.05 cfs, but greater than 0

RESERVOIRS - YEARLY RESERVOIR OPERATION SUMMARY
--

Devil's Gate Dam

Season	Inflow Annual (AF)	Daily Mean Inflow		Outflow Annual (AF)	Peak Inflow	
		Max-Day (CFS)	Min-Day (CFS)		Date	Q (CFS)
1970-71	3,098	682	0	1,894	Nov 29	1,760
1971-72	798	152	0	+	Dec 24	433
1972-73	8,298	1,517	0	5,615	Feb 11	3,520
1973-74	4,032	589	0	2,749	Jan 07	1,100
1974-75	2,024	237	0	711	Mar 06	451
1975-76	2,172	281	0	1,204	Sep 10	869
1976-77	1,682	177	0	1,593	Jan 03	587
1977-78	R.I.				Mar 04	6,941
1978-79	R.I.				Mar 28	269
1979-80	R.I.				Feb 16	2793*
1980-81	1,857	84	0	2,337	Jan 29	802
1981-82	6,574	199	0	6,569	Mar 17	272
1982-83	26,491	2,571	0	26,338	Mar 02	3,419
1983-84	937	100	0	1,074	Oct 01	105
1984-85	1,320	129	0	1,320	Dec 19	480
1985-86	2,877	166	0	2,877	Feb 15	282
1986-87	N.D.	N.D.		N.D.	Jan 04	202
1987-88	2,346	96	0	2,346	Oct 31	226
1988-89	113	18	0	113	Dec 16	54
1989-90	142	12	0	142	Feb 17	88
1990-91	4,997	523	0	4,997	Mar 01	924
1991-92	19,885	1,310	0	19,885	Feb 12	3,107
1992-93	60,794	1,134	0	60,793	Jan 17	2,213
1993-94	1,456	21	0	1,456	Feb 17	25
1994-95	21,173	1,030	0	21,173	Jan 10	2,493
1995-96	3,119	414	0	3,120	Feb 21	584
1996-97	R.I.					N.D.
1997-98	R.I.					N.D.
1998-99						N.D.
1999-00	15,780	471	0	15,780	Mar 05	818
2000-01	12,260	493	0	12,290	Feb 13	628
2001-02	1,730	66	0	1,680	Nov 24	395

N.D. Not determined

R.I. Records incomplete

+ Less than 0.05 acre feet or less than 0.05 cfs, but greater than 0

RESERVOIRS – YEARLY RESERVOIR OPERATION SUMMARY

Eaton Wash Dam

Season	Inflow Annual (AF)	Inflow		Outflow Annual (AF)	Peak Inflow	
		Max-Day (CFS)	Min-Day (CFS)		Date	Q (CFS)
1936-37	3062	112	0	1502		N.D.
1937-38	6993	883	0	5213	Mar 02	2670
1938-39	340	51	0	84	Dec 18	169
1939-40	390	31	0	96	Jan 08	220
1940-41	7323	188	0	6089	Feb 20	426
1941-42	78	11	0	0	Dec 10	73
1942-43	7212	498	0	6399	Jan 23	1700
1943-44	2901	265	0	1970	Feb 22	371
1944-45	331	52	0	101	Nov 11	204
1945-46	514	77	0	265	Dec 23	284
1946-47	746	74	0	507	Nov 13	286
1947-48	64	11	0	5	Apr 28	90
1948-49	36	4.7	0	1.2	Jan 20	10
1949-50	188	23	0	61	Dec 18	88
1950-51	44	3.8	0	7.5	Jan 11	80
1951-52	2636	151	0	2020	Jan 16	495
1952-53	145	18	0	0	Dec 01	225
1953-54	533	56	0	202	Jan 19	220
1954-55	146	14	0	0	Jan 18	91
1955-56	330	123	0	151	Jan 26	422
1956-57	127	20	0	9.2	Feb 23	138
1957-58	3114	150	0	2248	Apr 01	443
1958-59	301	46	0	152	Jan 06	702
1959-60	60	5.8	0	0	Jan 11	48
1960-61	61	10	0	0	Jan 26	39
1961-62	1729	322	0	1299	Feb 11	737
1962-63	177	51	0	19	Feb 09	198
1963-64	222	38	0	33	Jan 22	246
1964-65	534	49	0	328	Apr 09	220
1965-66	5400	415	0	4267	Dec 29	1520
1966-67	3856	317	0	1907	Dec 06	595
1967-68	1304	133	0	404	Nov 19	331
1968-69	20866	1,110	0	18644	Jan 25	2540
1969-70	718	90	0	527	Mar 05	878
1970-71	809	178	0	581	Nov 29	457
1971-72	207	42	0	+	Dec 27	107

N.D. Not determined

R.I. Records incomplete

+ Less than 0.05 Acre Feet or less than 0.05 CFS, but greater than 0

RESERVOIRS – YEARLY RESERVOIR OPERATION SUMMARY

Eaton Wash Dam

Season	Inflow Annual (AF)	Inflow		Outflow Annual (AF)	Peak Inflow	
		Max-Day (CFS)	Min-Day (CFS)		Date	Q (CFS)
1972-73	4299	532	0	2844	Feb 11	587
1973-74	2420	200	0	1607	Jan 07	309
1974-75	672	79	0	418	Mar 06	81
1975-76	893	74	0	424	Mar 01	175
1976-77	461	36	0	281	Jan 03	191
1977-78	R.I.					N.D.
1978-79	R.I.					N.D.
1979-80	R.I.					N.D.
1980-81	578	45	0	587	Mar 01	195
1981-82	1676	121	0	1530	Mar 17	200
1982-83	19050	732	0	18941	Mar 02	1982
1983-84	1918	61	0	1929	Dec 25	188
1984-85	701	23	0	698	Dec 19	23
1985-86	1937	56	0	1933	Jan 30	223
1986-87	N.D.	27	0	N.D.	Jan 04	N.D.
1987-88	848	55	0	649	Feb 01	228
1988-89	322	26	0	182	Dec 16	74
1989-90	233	40	0	131	Feb 17	63
1990-91	1602	127	0	1589	Mar 01	239
1991-92	5693	295	0	5678	Feb 11	1068
1992-93	14662	340	0	14661	Jan 07	937
1993-94	1100	26	0	984	Feb 08	51
1994-95	7500	225	0	7461	Jan 10	757
1995-96	1891	158	0	1865	Feb 20	266
1996-97	R.I.					N.D.
1997-98	6514	308	0	6514	Feb 23	1418
1998-99						N.D.
1999-00	626	55	0	799	Feb 28	70
2000-01	N.D.				Feb 13	179.4
2001-02	R.I.	R.I.	0	42.4		N.D.

N.D. Not determined

R.I. Records incomplete

+ Less than 0.05 Acre Feet or less than 0.05 CFS, but greater than 0

RESERVOIRS – YEARLY RESERVOIR OPERATION SUMMARY

Live Oak Dam

Season	Inflow Annual (AF)	Inflow		Outflow Annual (AF)	Peak Inflow	
		Max-Day (CFS)	Min-Day (CFS)		Date	Q (CFS)
1932-33	0	0	0	0		0
1933-34	N.D.	N.D.	N.D.	142		N.D.
1934-35	27	2.3	0	27	Apr 08	16
1935-36	N.D.	4.1	0	0		N.D.
1936-37	494	35	0	413	Feb 06	139.2
1937-38	800	147	0	785	Mar 02	339
1938-39	21	1.0	0	3.2	Feb 03	1.4
1939-40	16	1.2	0	1.4	Jan 08	11
1940-41	719	39	0	718	Mar 04	90
1941-42	0	+	+	0		+
1942-43	827	78	0	827	Jan 22	170
1943-44	218	33	0	218	Feb 22	74
1944-45	177	9.4	0	177	Feb 02	67
1945-46	105	22	0	89	Dec 23	127
1946-47	64	7.5	0	45	Nov 20	25
1947-48	0	0	0	0		N.D.
1948-49	0	0	0	0		N.D.
1949-50	4.7	0.3	0	3.6	Dec 19	2.6
1950-51	0	0	0	0		N.D.
1951-52	362	34	0	343	Jan 16	148
1952-53	2	+	0	3.2	Dec 01	0.8
1953-54	78	13	0	64	Jan 25	82
1954-55	0.3	+	0	0.3		N.D.
1955-56	77	25	0	72	Jan 26	128
1956-57	1.9	0.1	0	0.1	Jan 13	1.1
1957-58	699	38	0	699	Apr 03	67
1958-59	5.6	0.8	0	5.4	Jan 06	9.2
1959-60	0	0	0	0		N.D.
1960-61	4.8	0.7	0	0	Nov 06	22
1961-62	186	29	0	111	Nov 20	366
1962-63	13	5.8	0	5.4	Feb 09	23
1963-64	4.8	0.8	0	0	Mar 22	6.2
1964-65	20	6.8	0	15	Apr 09	58
1965-66	243	23	0	241	Nov 22	116
1966-67	699	112	+	672	Dec 06	360
1967-68	131	6.0	0	130	Mar 08	39

N.D. Not determined

R.I. Records incomplete

+ Less than 0.05 Acre Feet or less than 0.05 CFS, but greater than 0

RESERVOIRS – YEARLY RESERVOIR OPERATION SUMMARY

Live Oak Dam

Season	Inflow Annual (AF)	Inflow		Outflow Annual (AF)	Peak Inflow	
		Max-Day (CFS)	Min-Day (CFS)		Date	Q (CFS)
1968-69	2146	152	0	2115	Jan 25	403
1969-70	258	8.4	0	258	Feb 28	14
1970-71	243	7.2	0	243	Dec 21	16
1971-72	71	3.5	0	71	Dec 24	5
1972-73	291	34	0	290	Feb 11	52
1973-74	132	13	0	132	Jan 07	31
1974-75	71	2.0	0	61	Mar 06	14
1975-76	30	2.5	0	24	Mar 01	7.2
1976-77	32	2.0	0	33	Jan 03	13
1977-78	1517	70.9	0	1517	Mar 04	187
1978-79	655	18.1	0	655	Mar 27	43.4
1979-80	R.I.					N.D.
1980-81	240	3	0	237	Mar 02	4
1981-82	421	19	0	421	Mar 18	32
1982-83	1778	72	0	1780	Mar 01	144
1983-84	447	12	0	448	Dec 25	47
1984-85	162	3.6	0	162	Dec 19	5
1985-86	192	4.4	0	192	Feb 16	7
1986-87	37	0.8	0	37	Jan 04	10
1987-88	70	2.7	0	69	Jan 17	4
1988-89	96	6.0	0	93	Feb 04	11
1989-90	51	2	0	51	Feb 17	3
1990-91	205	22	0	204	Mar 01	44
1991-92	277	26	0	277	Feb 12	112
1992-93	1762	55	0	1759	Jan 07	68
1993-94	230	2.8	0	235	Mar 19	17
1994-95	820	32	0	820	Jan 10	86
1995-96	357	37	0	357	Feb 20	75
1996-97	R.I.					N.D.
1997-98	828	50	0	782	Feb 23	139
1998-99						N.D.
1999-00	0	31	0	0	Feb 21	N.D.
2000-01						N.D.
2001-02	11.7	0.2	0	0	Jan 28	4

N.D. Not determined

R.I. Records incomplete

+ Less than 0.05 Acre Feet or less than 0.05 CFS, but greater than 0

RESERVOIRS – YEARLY RESERVOIR OPERATION SUMMARY

Morris Dam

Season	Inflow Annual (AF)	Inflow		Outflow Annual (AF)	Peak Inflow	
		Max-Day (CFS)	Min-Day (CFS)		Date	Q (CFS)
1937-38	339303	18590	0	337955	Mar 02	70300
1938-39	62367	890	0	75278	Dec 20	N.D.
1939-40	41367	439	1	51030	Mar 06	N.D.
1940-41	294818	4137	1	263819	Feb 20	4230
1941-42	21562	419	0.1	16504	Nov 07	N.D.
1942-43	251552	10380	0	247717	Jan 23	12660
1943-44	149889	2667	0	147194	May 25	5840
1944-45	49942	1291	0	47340	Mar 26	3590
1945-46	53467	987	0	62578	Apr 04	4880
1946-47	60442	3369	0	55718	Dec 28	9300
1947-48	14004	973	0	17392	Dec 12	2380
1948-49	5387	799	0	3777	Jun 02	N.D.
1949-50	1901	70	0	834	Dec 05	N.D.
1950-51	5066	180	0	3446	Apr 21	N.D.
1951-52	76910	3188	0	69966	Jan 16	5200
1952-53	47762	1003	0	52075	Nov 03	1280
1953-54	30334	1574	0	29069	Apr 10	3590
1954-55	1593	299	0	557	Apr 15	N.D.
1955-56	3994	491	0	816	Sep 19	N.D.
1956-57	9962	659	0	10574	Apr 12	667
1957-58	216335	2418	0	213390	Apr 05	2740
1958-59	10152	378	0	9665	Feb 16	444
1959-60	2688	359	0	994	Jul 09	N.D.
1960-61	6006	459	0	889	May 16	N.D.
1961-62	74783	1847	0	73031	Feb 15	2160
1962-63	1708	99	0	1957	Feb 09	N.D.
1963-64	1001	36	0	922	Jan 21	N.D.
1964-65	10093	1426	0	8908	Jun 05	1430
1965-66	200376	9263	0	193965	Dec 29	10330
1966-67	203232	3872	0	193246	Dec 06	5320
1967-68	35015	567	0	32902	May 06	675
1968-69	554905	19290	12	554687	Feb 25	29690
1969-70	68267	1558	0	66131	Mar 01	1800
1970-71	27828	496	0	31319	Dec 29	497
1971-72	21193	298	0	15445	Jan 05	302
1972-73	N.D.	840	0	114349	Feb 11	924

N.D. Not determined

R.I. Records incomplete

+ Less than 0.05 Acre Feet or less than 0.05 CFS, but greater than 0

RESERVOIRS – YEARLY RESERVOIR OPERATION SUMMARY

Morris Dam

Season	Inflow Annual (AF)	Inflow		Outflow Annual (AF)	Peak Inflow	
		Max-Day (CFS)	Min-Day (CFS)		Date	Q (CFS)
1973-74	27471	1054	0	30553	Jan 08	3410
1974-75	9838	313	0.2	7366	Nov 20	389
1975-76	2270	47	0.2	2110	Sep 30	125
1976-77						N.D.
1977-78						N.D.
1978-79						N.D.
1979-80						N.D.
1980-81						N.D.
1981-82						N.D.
1982-83						N.D.
1983-84						N.D.
1984-85						N.D.
1985-86						N.D.
1986-87						N.D.
1987-88						N.D.
1988-89						N.D.
1989-90						N.D.
1990-91						N.D.
1991-92						N.D.
1992-93						N.D.
1993-94						N.D.
1994-95	207136	3858	1.3	201716	Jan 10	N.D.
1995-96	41898	454	1.3	47242	Feb 20	N.D.
1996-97	38827	313	1.5	38822		N.D.
1997-98	213739	7805	0	229947	Feb 23	11892
1998-99						N.D.
1999-00	21977	9394	0	23550	Aug 30	N.D.
2000-01	25183	1202	0	21730	Feb 13	N.D.
2001-02	2516.7	29.4	0	4818.5	Jan 27	116

N.D. Not determined

R.I. Records incomplete

+ Less than 0.05 Acre Feet or less than 0.05 CFS, but greater than 0

RESERVOIRS – YEARLY RESERVOIR OPERATION SUMMARY

Pacoima Dam

Season	Inflow Annual (AF)	Inflow		Outflow Annual (AF)	Peak Inflow	
		Max-Day (CFS)	Min-Day (CFS)		Date	Q (CFS)
1929-30	1110	N.D.	N.D.	965		N.D.
1930-31	1082	N.D.	N.D.	886		N.D.
1931-32	8741	N.D.	N.D.	8443		N.D.
1932-33	2160	101	0	2119		N.D.
1933-34	3454	N.D.	N.D.	3493	Jan 01	914
1934-35	5569	84	0	5556		N.D.
1935-36	3098	88	0	3094	Feb 12	248
1936-37	15737	356	0	14210	Feb 14	508
1937-38	25878	2360	0	26796	Mar 02	8320
1938-39	3525	86	0	3080	Dec 19	145
1939-40	3209	156	0	3133	Jan 08	928
1940-41	25785	536	0	25942	Mar 04	815
1941-42	1920	48	0.1	2032	Dec 29	85
1942-43	20698	1250	0.1	20407	Jan 23	2650
1943-44	15004	898	0.4	15167	Feb 22	1790
1944-45	4866	206	0.4	4911	Feb 02	494
1945-46	4600	332	0	2904	Mar 30	564
1946-47	4356	149	0	6029	Nov 20	282
1947-48	369	6.4	0.1	335	Apr 29	12
1948-49	723	10	0.1	740	Mar 05	17
1949-50	1063	19	0.1	1019	Feb 06	26
1950-51	142	1.3	0	69	Apr 29	2.4
1951-52	16794	681	0	4325	Jan 16	1290
1952-53	967	8.5	0	3500	Dec 01	32
1953-54	2952	107	0.1	2941	Jan 25	272
1954-55	748	18	0.1	737	Apr 30	25
1955-56	1466	90	0	1252	Jan 27	179
1956-57	573	9.8	0	773	Jan 13	14
1957-58	15818	714	0	15808	Apr 03	1180
1958-59	783	29	0	708	Jan 06	184
1959-60	131	0.9	0	271	Jan 11	2.2
1960-61	59	6.3	0	11	Nov 12	60
1961-62	6326	584	0.1	6279	Feb 11	811
1962-63	384	8.1	0.1	228	Feb 10	19
1963-64	529	8.3	0.1	722	Jan 22	56
1964-65	1313	70	0.1	1048	Apr 09	160

N.D. Not determined

R.I. Records incomplete

+ Less than 0.05 Acre Feet or less than 0.05 CFS, but greater than 0

RESERVOIRS – YEARLY RESERVOIR OPERATION SUMMARY

Pacoima Dam

Season	Inflow Annual (AF)	Inflow		Outflow Annual (AF)	Peak Inflow	
		Max-Day (CFS)	Min-Day (CFS)		Date	Q (CFS)
1965-66	15553	647	0	15214	Nov 22	2010
1966-67	23605	698	0.4	23600	Dec 06	1380
1967-68	3843	76	0	3833	Nov 21	107
1968-69	43398	2860	0	42998	Feb 25	4710
1969-70	2717	99	0.4	2308	Mar 01	276
1970-71	4806	118	0.5	4994	Nov 29	384
1971-72	1062	36	0.2	802	Dec 26	91
1972-73	7726	696	0.1	7383	Feb 11	1640
1973-74	4197	168	0.2	4154	Jan 08	532
1974-75	2279	48	0.1	2526	Mar 06	97
1975-76	1622	58	0.1	1614	Feb 09	102
1976-77	1424	43	0.3	507	Jan 03	213
1977-78	R.I.					N.D.
1978-79	R.I.					N.D.
1978-80	R.I.					N.D.
1980-81	2731	66	0	3440	Jan 29	167
1981-82	5979	226	.3	4867	Mar 17	590
1982-83	43336	2359	.5	44566	Mar 01	4671
1983-84	3521	88	.2	1386	Dec 25	153
1984-85	2853	79	0	3651	Dec 20	104
1985-86	7886	279	0	7015	Feb 15	N.D.
1986-87	638	7	0	224	Jan 04	9
1987-88	3522	52	.1	3441	Oct 23	93
1988-89	2398	40	0	2065	Feb 04	72
1989-90	784	27	0	817	Feb 17	59
1990-91	3520	127	0	3222	Mar 27	140
1991-92	N.D.	708	0	N.D.	Feb 10	1180
1992-93	40473	929	.1	39814	Jan 13	1186
1993-94	2465	27	0	3354	Feb 08	46
1994-95	23547	351	0	23710	Jan 10	1073
1995-96	7655	389	0	7710	Feb 21	532
1996-97	6497	163	1.2	5417		N.D.
1997-98	31461	1462	0.1	31467	Feb 23	3292
1998-99						N.D.
1999-00	2646	70	0	2675	Feb 22	70.2
2000-01	5038	755	0	4176		N.D.

N.D. Not determined

R.I. Records incomplete

+ Less than 0.05 Acre Feet or less than 0.05 CFS, but greater than 0

RESERVOIRS – YEARLY RESERVOIR OPERATION SUMMARY

Pacoima Dam

Season	Inflow Annual (AF)	Inflow		Outflow Annual (AF)	Peak Inflow	
		Max-Day (CFS)	Min-Day (CFS)		Date	Q (CFS)
2001-02	350.9	3.1	0	407.5	Jan 27	23.1

N.D. Not determined
 R.I. Records incomplete
 + Less than 0.05 Acre Feet or less than 0.05 CFS, but greater than 0

RESERVOIRS – YEARLY RESERVOIR OPERATION SUMMARY

Puddingstone Dam

Season	Inflow Annual (AF)	Inflow		Outflow Annual (AF)	Peak Inflow	
		Max-Day (CFS)	Min-Day (CFS)		Date	Q (CFS)
1928-29	114	12	0	151		N.D.
1929-30	295	15	0	223		N.D.
1930-31	73	9.0	0	119		N.D.
1931-32	1547	162	0	1086		N.D.
1932-33	314	30	0	906		N.D.
1933-34	2669	596	0	1809		N.D.
1934-35	610	N.D.	N.D.	846	Jan 15	205
1935-36	703	54	0	969	Apr 10	590
1936-37	5732	303	0	2173	Feb 06	1480
1937-38	12221	2200	0	7544	Mar 02	5310
1938-39	1576	101	0	5305		N.D.
1939-40	646	54	0	2524	Jan 07	448
1940-41	12030	377	0	3308	Mar 04	1080
1941-42	475	30	0	4385	Dec 10	409
1942-43	10043	1130	0	4836	Jan 23	2300
1943-44	3408	525	0	3178	Feb 22	1030
1944-45	1615	139	0	2376	Nov 11	484
1945-46	1591	275	0	6009	Dec 23	929
1946-47	1414	96	0	788	Nov 13	445
1947-48	324	31	0	362	Dec 05	195
1948-49	336	21	0	201	Mar 13	240
1949-50	493	55	0	140	Feb 06	178
1950-51	182	15	0	145	Jan 29	162
1951-52	4,673	353	0	1857	Jan 16	952
1952-53	928	32	0	1140	Dec 01	358
1953-54	31282	244	0	31609	Jan 25	600
1954-55	26065	255	0	23287	Nov 11	338
1955-56	57309	458	0	50771	Jan 26	1360
1956-57	50583	216	0	53781	Jan 13	262
1957-58	6670	302	0	1976	Apr 03	690
1958-59	394	68	0	72	Jan 06	871
1959-60	837	80	0	40	Jan 12	148
1960-61	10900	198	0	9416	Nov 06	N.D.
1961-62	4463	173	0	33	Dec 02	963
1962-63	927	139	0	464	Feb 10	325
1963-64	594	43	0	0	Jan 22	242

N.D. Not determined

R.I. Records incomplete

+ Less than 0.05 Acre Feet or less than 0.05 CFS, but greater than 0

RESERVOIRS – YEARLY RESERVOIR OPERATION SUMMARY

Puddingstone Dam

Season	Inflow Annual (AF)	Inflow		Outflow Annual (AF)	Peak Inflow	
		Max-Day (CFS)	Min-Day (CFS)		Date	Q (CFS)
1964-65	2,675	153	0	7401	Apr 09	1770
1965-66	10456	444	0	3066	Nov 22	1590
1966-67	11508	1090	0	9988	Dec 06	2440
1967-68	15811	174	0	14275	Mar 08	760
1968-69	36802	2830	0	35754	Jan 25	4340
1969-70	1650	163	0.2	+	Mar 01	507
1970-71	1494	149	0.1	4094	Dec 18	365
1971-72	1007	186	+	+	Dec 24	538
1972-73	4038	341	0.1	+	Feb 11	604
1973-74	2409	310	0.1	1069	Jan 07	660
1974-75	1832	153	0	1832	Dec 04	769
1975-76	2644	180	0.1	0	Sep 10	493
1976-77	2655	138	0.1	197	Jan 03	812
1977-78	R.I					N.D.
1978-79	R.I					N.D.
1979-80	R.I					N.D.
1980-81	2115	154	0	515	Jan 29	1132
1981-82	4731	350	0	2598	Mar 18	810
1982-83	15956	764	0	15238	Mar 01	2570
1983-84	2791	192	0	2048	Dec 25	1159
1984-85	2688	143	0	873	Dec 18	236
1985-86	4888	241	0	3150	Mar 16	1058
1986-87	1989	291	0	1118	Jan 04	854
1987-88	4010	143	0	2373	Jan 17	422
1988-89	3539	117	0	2045	Feb 04	211
1989-90	2545	235	0	977	Feb 17	683
1990-91	4461	371	0	2932	Mar 01	1270
1991-92	6781	407	0	5333	Feb 12	959
1992-93	30324	909	0	28674	Jan 18	1992
1993-94	2884	78	0.1	1322	Feb 07	212
1994-95	11261	537	0.1	9927	Jan 10	1411
1995-96	4587	438	0	3275	Feb 20	1460
1996-97	5421	200	0	4382		N.D.
1997-98	15722	626	0.1	13941	Feb 23	1660
1998-99	615			238		N.D.
1999-00	1795	3010	0	656	Feb 24	N.D.

N.D. Not determined

R.I. Records incomplete

+ Less than 0.05 Acre Feet or less than 0.05 CFS, but greater than 0

RESERVOIRS – YEARLY RESERVOIR OPERATION SUMMARY

Puddingstone Dam

Season	Inflow Annual (AF)	Inflow		Outflow Annual (AF)	Peak Inflow	
		Max-Day (CFS)	Min-Day (CFS)		Date	Q (CFS)
2000-01	N.D.				Jan 11	597.8
2001-02	1351.5	170.7	0	149.6		N.D.

N.D. Not determined
 R.I. Records incomplete
 + Less than 0.05 Acre Feet or less than 0.05 CFS, but greater than 0

RESERVOIRS – YEARLY RESERVOIR OPERATION SUMMARY

Puddingstone Diversion

Season	Inflow Annual (AF)	Inflow		Outflow Annual (AF)	Peak Inflow	
		Max-Day (CFS)	Min-Day (CFS)		Date	Q (CFS)
1935-36	304	48	0	304	Apr 10	85
1936-37	5019	104	0	4646		N.D.
1937-38	11697	1640	0	11506	Mar 02	5760
1938-39	1288	28	0	1293	Jan 10	N.D.
1939-40	350	26	0	155	Jan 08	33
1940-41	7213	133	0	6776	Mar 14	155
1941-42	341	13	0	203	Dec 12	24
1942-43	8593	970	0	7939	Jan 23	2040
1943-44	3406	357	0	3010	Feb 22	724
1944-45	1719	64	0	1294	Feb 02	88
1945-46	970	159	0	773	Dec 23	234
1946-47	1400	55	0	1109	Dec 26	58
1947-48	0	0	0	0		N.D.
1948-49	0	0	0	0		N.D.
1949-50	0	0	0	0		N.D.
1950-51	0	0	0	0		N.D.
1951-52	3366	158	0	2910	Jan 16	201
1952-53	0	0	0	0		N.D.
1953-54	628	57	0	429	Feb 14	82
1954-55	0	0	0	0		N.D.
1955-56	196	34	0	128	Jan 26	93
1956-57	0	0	0	0		N.D.
1957-58	5938	227	0	5172	Apr 03	284
1958-59	89	14	0	49	Feb 18	18
1959-60	0	0	0	0		N.D.
1960-61	146	11	0	64	Nov 26	137
1961-62	3277	152	0	3106	Nov 20	2110
1962-63	827	95	0	515	Feb 09	640
1963-64	112	19	0	67	Jan 22	55
1964-65	873	69	0	538	Apr 09	239
1965-66	6471	320	0	5864	Nov 22	864
1966-67	13656	958	0	12140	Dec 06	2230
1967-68	2744	62	0	2180	Nov 30	125
1968-69	35110	2610	0	34200	Jan 25	5600
1969-70	4005	27	0	2788	Mar 04	62
1970-71	2181	35	0	1524	Dec 21	61

N.D. Not determined

R.I. Records incomplete

+ Less than 0.05 Acre Feet or less than 0.05 CFS, but greater than 0

RESERVOIRS – YEARLY RESERVOIR OPERATION SUMMARY

Puddingstone Diversion

Season	Inflow Annual (AF)	Inflow		Outflow Annual (AF)	Peak Inflow	
		Max-Day (CFS)	Min-Day (CFS)		Date	Q (CFS)
1971-72	764	15	0	488	Dec 24	56
1972-73	3746	163	0	3321	Feb 11	219
1973-74	1660	75	0	1371	Jan 07	110
1974-75	969	15	0	786	Mar 06	46
1975-76	423	9.1	0	333	Mar 01	16
1976-77	844	29	0	578	Jan 03	57
1977-78	R.I.					N.D.
1978-79	R.I.					N.D.
1979-80	R.I.					N.D.
1980-81	2025	21	0	1877	Jan 29	44
1981-82	2856	122	0	2831	Mar 18	260
1982-83	18257	705	0	18272	Mar 01	1867
1983-84	3267	54	0	3259	Dec 25	84
1984-85	1353	37	0	1294	Dec 18	40
1985-86	1324	99	0	1201	Mar 16	104
1986-87	686	18	0	702	Jan 04	49
1987-88	927	38	0	823	Jan 17	214
1988-89	1060	76	0	927	Feb 04	111
1989-90	228	48	0	193	Feb 17	78
1990-91	2079	54	0	2024	Feb 28	195
1991-92	3289	163	0	3277	Feb 12	264
1992-93	25714	698	0	25686	Jan 18	757
1993-94	1475	14	0	1488	Feb 07	23
1994-95	11349	211	0	11349	Jan 10	252
1995-96	3045	71	0	3044	Feb 20	161
1996-97	2468	84	0	2440		N.D.
1997-98	13037	514	0	12996	Feb 24	652
1998-99						N.D.
1999-00	746	46	0	769	Jun 23	55.1
2000-01						N.D.
2001-02	R.I.	R.I.	0	49.2		N.D.

N.D. Not determined

R.I. Records incomplete

+ Less than 0.05 Acre Feet or less than 0.05 CFS, but greater than 0

RESERVOIRS – YEARLY RESERVOIR OPERATION SUMMARY

San Dimas Dam

Season	Inflow Annual (AF)	Inflow		Outflow Annual (AF)	Peak Inflow	
		Max-Day (CFS)	Min-Day (CFS)		Date	Q (CFS)
1928-29	N.D.	N.D.	0	N.D.		N.D.
1929-30	591	28	0	573		N.D.
1930-31	585	23	0	466		N.D.
1931-32	2502	162	0	2496		N.D.
1932-33	652	50	0	648		N.D.
1933-34	1351	229	0	1357	Jan 01	422
1934-35	1753	60	0	1682	Apr 08	145
1935-36	1094	35	0	1136	Feb 11	155
1936-37	6316	154	0	6126	Feb 06	296
1937-38	12492	1600	0.4	12494	Mar 02	4920
1938-39	2165	43	0.2	2024	Jan 05	80
1939-40	1532	60	0	1600	Jan 08	302
1940-41	9645	131	0.1	9240	Mar 04	235
1941-42	1603	16	0.2	1855	Dec 10	29
1942-43	9271	573	0.5	9095	Jan 23	1700
1943-44	5348	398	0.1	5423	Feb 22	785
1944-45	3747	97	0.9	3811	Nov 11	375
1945-46	2560	149	0.1	2368	Dec 23	519
1946-47	2705	100	0.1	2982	Nov 20	340
1947-48	720	10	0	706	Feb 05	15
1948-49	728	11	0.1	694	Jan 20	19
1949-50	734	25	0.1	750	Dec 18	65
1950-51	300	5.3	0.1	301	Apr 29	16
1951-52	4864	208	0.1	4593	Jan 16	453
1952-53	822	9.8	0.1	1092	Dec 01	25
1953-54	1514	97	0.1	1501	Jan 25	327
1954-55	561	11	0.1	526	Jan 18	27
1955-56	736	98	0.1	767	Jan 26	362
1956-57	452	12	0.1	433	Jan 13	41
1957-58	6786	299	0	6503	Apr 03	753
1958-59	931	37	0.1	1239	Feb 16	189
1959-60	408	6.7	0.1	455	Feb 08	11
1960-61	468	31	0.1	250	Nov 05	397
1961-62	3206	224	+	2664	Nov 20	2520
1962-63	1001	81	0.1	1108	Feb 09	440
1963-64	680	20	0.1	711	Jan 22	121

N.D. Not determined

R.I. Records incomplete

+ Less than 0.05 Acre Feet or less than 0.05 CFS, but greater than 0

RESERVOIRS – YEARLY RESERVOIR OPERATION SUMMARY

San Dimas Dam

Season	Inflow Annual (AF)	Inflow		Outflow Annual (AF)	Peak Inflow	
		Max-Day (CFS)	Min-Day (CFS)		Date	Q (CFS)
1964-65	1118	53	0	1175	Apr 09	232
1965-66	6494	305	0.2	6326	Dec 29	1010
1966-67	12352	674	0	11598	Dec 06	1720
1967-68	3148	80	0.1	3058	Nov 19	414
1968-69	28645	1710	0.7	28808	Jan 25	3620
1969-70	4314	71	0.7	4736	Mar 01	114
1970-71	2465	70	0.5	2125	Nov 29	127
1971-72	1040	33	0.2	1217	Dec 24	77
1972-73	4252	346	0.7	4000	Feb 11	685
1973-74	2447	121	0.3	2389	Jan 07	185
1974-75	1487	28	0.1	1566	Mar 06	67
1975-76	1002	52	0.1	926	Sep 10	443
1976-77	1094	41	0	1146	Jan 03	260
1977-78	R.I.					
1978-79	R.I.					
1979-80	19951	673	2.3	18715	Feb 16	2549
1980-81	3016	37	.8	3216	Jan 29	147
1981-82	3848	161	.2	3700	Mar 17	295
1982-83	17632	527	0	17381	Mar 01	1559
1983-84	3816	55	0	4330	Dec 25	115
1984-85	2554	45	.6	2560	Dec 19	67
1985-86	2401	55	0	2415	Mar 16	89
1986-87	N.D.	10	.1	N.D.	Jan 05	13
1987-88	1821	54	0	1216	Jan 17	157
1988-89	1122	35	0	1225	Feb 04	96
1989-90	731	28	0	462	Feb 17	93
1990-91	1967	112	0	2361	Mar 27	236
1991-92	4037	143	0	3938	Feb 12	403
1992-93	24941	651	0	24446	Jan 14	945
1993-94	2295	17	.2	2424	Feb 07	31
1994-95	10102	177	.8	9801	Jan 10	363
1995-96	4036	149	.2	4097	Feb 20	418
1996-97	13175	81	0	2988		N.D.
1997-98	12122	396	0.3	11948	Feb 23	1194
1998-99						N.D.
1999-00	1243	64	0	1297	Feb 18	N.D.

N.D. Not determined

R.I. Records incomplete

+ Less than 0.05 Acre Feet or less than 0.05 CFS, but greater than 0

RESERVOIRS – YEARLY RESERVOIR OPERATION SUMMARY

San Dimas Dam

Season	Inflow Annual (AF)	Inflow		Outflow Annual (AF)	Peak Inflow	
		Max-Day (CFS)	Min-Day (CFS)		Date	Q (CFS)
2000-01	1695	61	0	1524	Jan 11	473.3
2001-02	490	10.3	0	435.7	Jan 28	25.7

N.D. Not determined
 R.I. Records incomplete
 + Less than 0.05 Acre Feet or less than 0.05 CFS, but greater than 0

RESERVOIRS – YEARLY RESERVOIR OPERATION SUMMARY

San Gabriel Dam

Season	Inflow Annual (AF)	Inflow		Outflow Annual (AF)	Peak Inflow	
		Max-Day (CFS)	Min-Day (CFS)		Date	Q (CFS)
1937-38	339155	30720	37	332893	Mar 02	89320
1938-39	67231	1330	23	61655	Dec 19	2780
1939-40	58554	757	18	63386	Jan 08	2270
1940-41	306801	3940	20	305515	Feb 20	5780
1941-42	50285	297	20	49759	Dec 29	468
1942-43	271286	17180	20	267085	Jan 23	46000
1943-44	184923	5710	43	184622	Feb 22	9860
1944-45	91961	1300	28	90131	Nov 11	6440
1945-46	99531	2980	28	89502	Dec 21	5760
1946-47	107688	3340	18	104088	Dec 26	6520
1947-48	29259	257	9.9	37794	Apr 29	506
1948-49	24728	94	11	21546	Jan 20	120
1949-50	27797	266	9.5	27736	Dec 19	448
1950-51	10169	54	3	13002	Jan 11	174
1951-52	159048	3340	3.9	118918	Jan 16	6130
1952-53	41270	375	7.5	77961	Dec 01	544
1953-54	60515	1280	8.3	56517	Jan 25	2940
1954-55	39159	171	18	37304	Apr 30	313
1955-56	35215	950	14	38127	Jan 26	2250
1956-57	37210	1090	15	35069	Jan 13	2850
1957-58	230745	4270	21	229610	Apr 03	6900
1958-59	43762	1030	14	43100	Jan 06	3080
1959-60	19474	112	5	19258	Apr 28	168
1960-61	12041	122	2.2	12698	Nov 05	634
1961-62	116890	6350	3.4	112380	Feb 11	13960
1962-63	25930	512	6.2	24587	Feb 09	2440
1963-64	24009	287	5.2	22601	Apr 01	504
1964-65	36281	396	5.5	34427	Apr 09	1070
1965-66	220689	9030	12	217503	Dec 29	27180
1966-67	224903	6700	30	224538	Dec 06	12420
1967-68	66761	697	26	68771	Nov 19	1620
1968-69	527883	28020	24	524874	Jan 25	44400
1969-70	66842	1250	26	66688	Feb 28	2550
1970-71	60375	2120	29	55358	Nov 29	6400
1971-72	34908	975	14	38192	Dec 25	1390
1972-73	124722	5075	14.1	124333	Feb 11	17430

N.D. Not determined

R.I. Records incomplete

+ Less than 0.05 Acre Feet or less than 0.05 CFS, but greater than 0

RESERVOIRS – YEARLY RESERVOIR OPERATION SUMMARY

San Gabriel Dam

Season	Inflow Annual (AF)	Inflow		Outflow Annual (AF)	Peak Inflow	
		Max-Day (CFS)	Min-Day (CFS)		Date	Q (CFS)
1973-74	72959	1140	32	67194	Jan 07	1820
1974-75	47681	423	27	46194	Mar 06	880
1975-76	38598	978	18	33781	Sep 11	1630
1976-77	36322	407	15	34846	Jan 03	1137
1977-78	486296	13437	14.9	483712	Mar 04	31730
1978-79	158043	1647	42.9	163511	Mar 28	1965
1979-80	346155	11476	42.5	344454	Feb 16	24540
1980-81	42882	281	15	40116	Jan 29	784
1981-82	95225	1591	19	79833	Mar 17	2869
1982-83	404332	14585	33	402734	Mar 01	17080
1983-84	61069	983	13	75284	Dec 25	1568
1984-85	46633	617	8.5	46101	Dec 19	742
1985-86	103558	1252	14	100926	Jan 30	1911
1986-87	22847	149	3	22919	Jan 05	259
1987-88	66101	574	3.8	49337	Feb 01	814
1988-89	33435	273	4	47683	Dec 16	496
1989-90	18979	248	2.3	17008	Feb 18	388
1990-91	61479	1575	3.3	39454	Mar 01	4294
1991-92	171617	5796	0	193158	Feb 12	11426
1992-93	445072	10181	0	429615	Feb 19	12934
1993-94	44269	312	.6	50441	Feb 08	433
1994-95	248268	3811	12.8	242886	Jan 10	6996
1995-96	72722	2995	2	70533	Feb 21	3822
1996-97	66304	947	5.2	64946		N.D.
1997-98	275500	9169	8.2	237419	Feb 23	22512
1998-99						N.D.
1999-00	43634	1626	3	43713	Feb 21	N.D.
2000-01	58142	629	0	56650	Feb 13	1362.7
2001-02	13861.7	95.5	0	16673.7		N.D.

N.D. Not determined

R.I. Records incomplete

+ Less than 0.05 Acre Feet or less than 0.05 CFS, but greater than 0

RESERVOIRS – YEARLY RESERVOIR OPERATION SUMMARY

Santa Anita Dam

Season	Inflow Annual (AF)	Inflow		Outflow Annual (AF)	Peak Inflow	
		Max-Day (CFS)	Min-Day (CFS)		Date	Q (CFS)
1926-27	1208	13	0.4	1030		N.D.
1927-28	1009	22	0.1	1162		N.D.
1928-29	1214	30	0	1256		N.D.
1929-30	1276	25	0.1	964		N.D.
1930-31	989	34	0	1155		N.D.
1931-32	4010	236	0.1	3883		N.D.
1932-33	2190	152	0	2022	Jan 19	390
1933-34	2603	322	0	2622	Jan 01	800
1934-35	3693	92	0.1	3585	Apr 08	449
1935-36	2480	84	0	2535	Feb 12	228
1936-37	8798	192	0	8616	Feb 06	313
1937-38	16594	1780	1.3	16689	Mar 02	5140
1938-39	2726	74	0.4	2461	Dec 19	159
1939-40	2743	62	0.4	2664	Jan 08	378
1940-41	15225	239	0.4	15235	Mar 04	300
1941-42	2070	25	0.6	2140	Dec 29	53
1942-43	19371	1110	0.6	19440	Jan 23	3100
1943-44	7463	514	1.3	7294	Feb 22	813
1944-45	4147	101	1.1	4133	Nov 11	303
1945-46	3426	164	0.8	3360	Dec 23	492
1946-47	4489	122	0.7	4462	Nov 20	382
1947-48	1075	14	0.3	1243	Apr 28	41
1948-49	1031	17	0.2	983	Jan 20	32
1949-50	1357	30	0.2	1311	Dec 18	115
1950-51	460	4.5	0.1	497	Jan 11	10
1951-52	8408	351	0.1	8292	Jan 16	837
1952-53	1562	20	0.5	1729	Dec 01	153
1953-54	3302	201	0.4	3412	Jan 24	1240
1954-55	1432	18	0.3	1437	Nov 11	173
1955-56	2218	175	0.3	2196	Jan 26	569
1956-57	1535	36	0.5	1431	Feb 23	122
1957-58	11696	298	0.7	11715	Apr 03	618
1958-59	2183	66	0.6	2033	Jan 06	622
1959-60	954	6.5	0.1	1152	Feb 01	16
1960-61	527	12	0.1	407	Jan 26	65
1961-62	6328	682	0.1	6242	Feb 11	1460

N.D. Not determined

R.I. Records incomplete

+ Less than 0.05 Acre Feet or less than 0.05 CFS, but greater than 0

RESERVOIRS – YEARLY RESERVOIR OPERATION SUMMARY

Santa Anita Dam

Season	Inflow Annual (AF)	Inflow		Outflow Annual (AF)	Peak Inflow	
		Max-Day (CFS)	Min-Day (CFS)		Date	Q (CFS)
1962-63	1628	56	0.7	1848	Feb 09	368
1963-64	1219	32	+	1144	Apr 01	53
1964-65	2039	50	0	1988	Apr 09	130
1965-66	13102	600	0.4	12933	Dec 29	1920
1966-67	16245	645	1.5	16261	Dec 06	1520
1967-68	3376	56	0.1	3579	Nov 19	165
1968-69	38734	2292	0.3	38369	Jan 25	5500
1969-70	2859	85	1	2859	Feb 28	208
1970-71	3211	184	1	3075	Nov 29	674
1971-72	1316	36	0.5	1249	Dec 24	99
1972-73	6414	482	0.4	6258	Feb 11	1350
1973-74	4660	174	1.2	4546	Jan 07	280
1974-75	2347	36	0.1	2647	Mar 06	54
1975-76	1580	52	0.2	1469	Mar 01	101
1976-77	1320	35	1	1206	Jan 03	200
1977-78	R.I.					
1978-79	R.I.					
1979-80	R.I.					
1980-81	2221	27	0.6	2210	Jan 29	147
1981-82	3714	127	0.6	3652	Mar 17	213
1982-83	21246	882	0	21325	Mar 02	1197
1983-84	3603	57	0.3	3586	Dec 25	142
1984-85	2363	48	0	2272	Dec 19	102
1985-86	4735	77	0.4	4612	Jan 30	89
1986-87	1041	7.6	0	1174	Jan 05	11
1987-88	2490	37	0.1	2488	Jan 17	87
1988-89	1729	52	0	1599	Feb 04	119
1989-90	737	30	0	740	Feb 17	117
1990-91	2393	92	0	2323	Mar 01	417
1991-92	9339	390	0.2	9292	Feb 11	863
1992-93	23546	558	0.2	23581	Jan 07	909
1993-94	1475	15	0	1565	Mar 24	19
1994-95	12439	242	0.1	12281	Jan 10	587
1995-96	4494	274	0.1	4535	Feb 21	481
1996-97	4970	93	0.1	4934		N.D.
1997-98	13694	787	0	13655	Feb 23	2449

N.D. Not determined

R.I. Records incomplete

+ Less than 0.05 Acre Feet or less than 0.05 CFS, but greater than 0

RESERVOIRS – YEARLY RESERVOIR OPERATION SUMMARY

Santa Anita Dam

Season	Inflow Annual (AF)	Inflow		Outflow Annual (AF)	Peak Inflow	
		Max-Day (CFS)	Min-Day (CFS)		Date	Q (CFS)
1998-99						N.D.
1999-00	1872	35	0	1970	Feb 24	54
2000-01	2712	233	0	2561	Feb 13	N.D.
2001-02	414.2	7.7	0	204.1	Jan 28	14

N.D. Not determined
 R.I. Records incomplete
 + Less than 0.05 Acre Feet or less than 0.05 CFS, but greater than 0

RESERVOIRS – YEARLY RESERVOIR OPERATION SUMMARY

Sawpit Dam

Season	Inflow Annual (AF)	Inflow		Outflow Annual (AF)	Peak Inflow	
		Max-Day (CFS)	Min-Day (CFS)		Date	Q (CFS)

INACTIVE

N.D.	Not determined
R.I.	Records incomplete
+	Less than 0.05 Acre Feet or less than 0.05 CFS, but greater than 0

RESERVOIRS – YEARLY RESERVOIR OPERATION SUMMARY

Thompson Creek Dam

Season	Inflow Annual (AF)	Inflow		Outflow Annual (AF)	Peak Inflow	
		Max-Day (CFS)	Min-Day (CFS)		Date	Q (CFS)
1931-32	81	12	0	81	Feb 09	91
1932-33	0	0	0	0		N.D.
1933-34	N.D.	N.D.	N.D.	0		N.D.
1934-35	1	N.D.	N.D.	0		N.D.
1935-36	0.5	N.D.	N.D.	0		N.D.
1936-37	274	24	0	0		N.D.
1937-38	1099	259	0	1096	Mar 02	580
1938-39	21	0.6	0	0	Jan 30	1.1
1939-40	49	4.5	0	0	Jan 07	26
1940-41	640	46	0	2.8	Mar 04	97
1941-42	0.3	+	0	0	Dec 10	0.5
1942-43	767	121	0	334	Jan 23	270
1943-44	286	56	0	0	Feb 22	111
1944-45	149	18	0	0	Nov 12	132
1945-46	148	25	0	0	Dec 23	120
1946-47	88	16	0	0	Nov 20	47
1947-48	0	0	0	0		N.D.
1948-49	0	0	0	0		N.D.
1949-50	6.2	2	0	0	Dec 19	4.5
1950-51	0	0	0	0		N.D.
1951-52	314	30	0	34	Jan 16	70
1952-53	12	1.3	0	0	Dec 01	8.2
1953-54	194	19	0	0	Jan 25	172
1954-55	4.4	1	0	0	Jan 18	1.4
1955-56	58	25	0	0	Jan 26	117
1956-57	4.4	2	0	0	Jan 13	5.8
1957-58	389	34	0	219	Apr 03	67
1958-59	5.6	1	0	0	Feb 16	4.7
1959-60	2	0.3	0	0	Apr 28	5.4
1960-61	5.2	1	0	0	Nov 12	3.9
1961-62	101	9.3	0	0	Nov 20	190
1962-63	88	26	0	17	Feb 09	145
1963-64	23	4.2	0	0	Mar 22	20
1964-65	26	9.9	0	0	Apr 09	55
1965-66	258	34	0	0	Nov 23	140
1966-67	842	200	0	305	Dec 06	408

N.D. Not determined

R.I. Records incomplete

+ Less than 0.05 Acre Feet or less than 0.05 CFS, but greater than 0

RESERVOIRS – YEARLY RESERVOIR OPERATION SUMMARY

Thompson Creek Dam

Season	Inflow Annual (AF)	Inflow		Outflow Annual (AF)	Peak Inflow	
		Max-Day (CFS)	Min-Day (CFS)		Date	Q (CFS)
1967-68	167	6.8	0	0	Nov 19	18
1968-69	2556	279	0	2061	Jan 25	574
1969-70	54	4.8	0	1.6	Mar 01	13
1970-71	32	5.5	0	0	Dec 21	12
1971-72	6	1.3	0	0	Dec 27	3
1972-73	161	34	0	7.5	Feb 11	58
1973-74	37	10	0	37	Jan 07	29
1974-75	0	0	0	0		N.D.
1975-76	15	3.5	0	0	Feb 01	3.5
1976-77	37	6.8	0	0		N.D.
1977-78	R.I.					N.D.
1978-79	R.I.					N.D.
1979-80	R.I.					N.D.
1980-81	0	0	0	0		N.D.
1981-82	62	9.4	0	18	Mar 17	40
1982-83	1118	114	0	583	Mar 01	377
1983-84	70	2.7	0	11	Dec 26	4
1984-85	0	0	0	0		N.D.
1985-86	58	9.7	0	58	Mar 16	27
1986-87	0	0	0	0		N.D.
1987-88	2	.3	0	2.1	Jan 17	.9
1988-89	2.1	.3	0	2	Feb 04	.5
1989-90	5.6	.5	0	5.6	Feb 17	.8
1990-91	76	17	0	34	Mar 27	20
1991-92	190	16	0	190	Mar 23	20
1992-93	1267	57	0	1202	Jan 18	166
1993-94	.4	.1	0	.4	Mar 19	1.2
1994-95	330	35	0	330	Jan 10	82
1995-96	392	31	0	392	Feb 20	73
1996-97	48	11	0	48		N.D.
1997-98	526	98	0	525	Feb 23	299
1998-99						N.D.
1999-00	0	0	0	0		N.D.
2000-01						N.D.
2001-02	N.D.	N.D.	N.D.	0		N.D.

N.D. Not determined

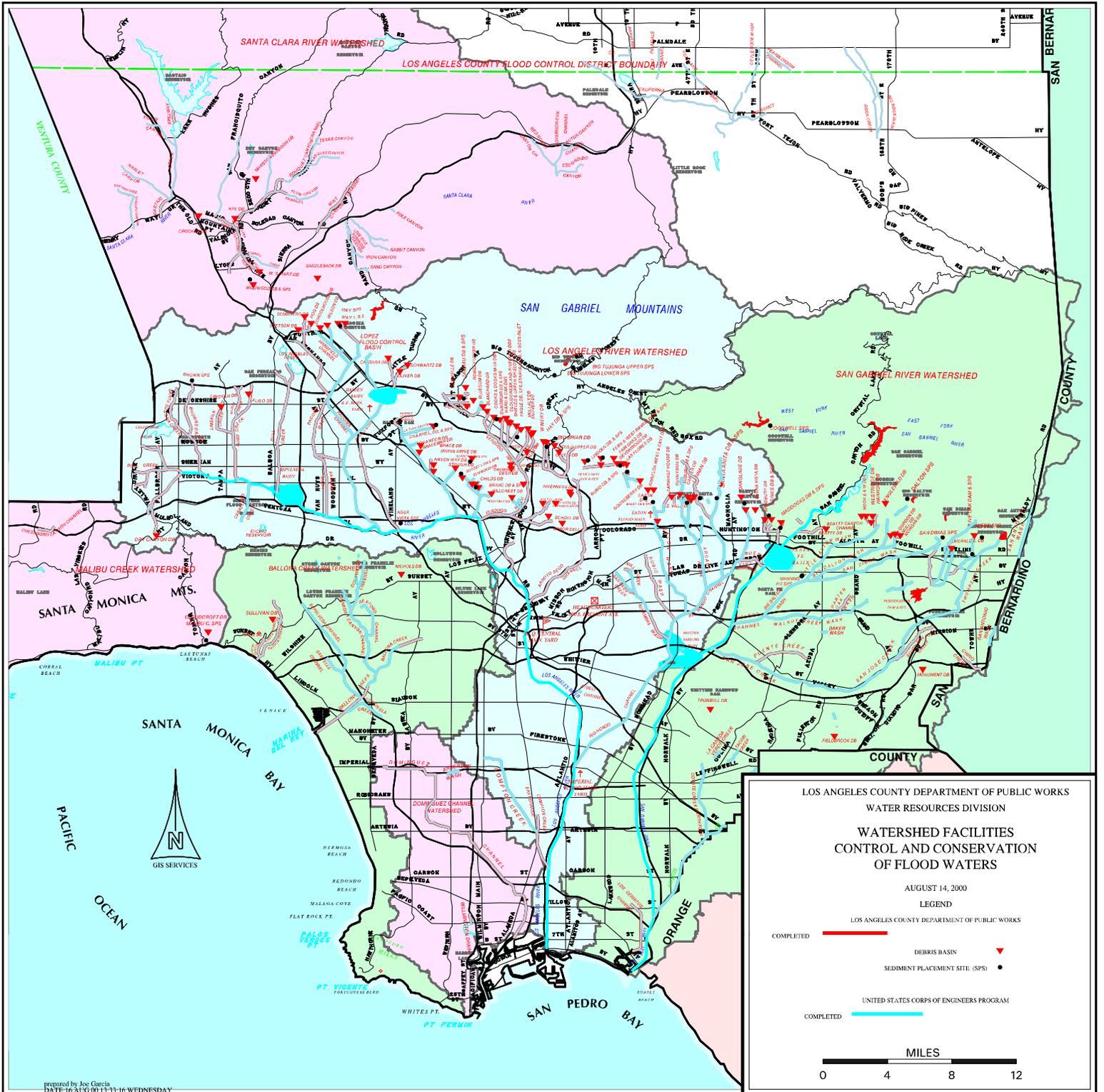
R.I. Records incomplete

+ Less than 0.05 Acre Feet or less than 0.05 CFS, but greater than 0

APPENDIX F

HYDROLOGIC REPORT 2001 – 2002

EROSION CONTROL – LOCATION MAP



APPENDIX G

HYDROLOGIC REPORT 2001 – 2002

WATER CONSERVATION – SUMMARY – DPW FACILITIES

WATER CONSERVATION – SUMMARY – DPW FACILITIES

BEN LOMOND

	Type	SHALLOW
	Season First Used	1958-59
Area	Gross	24 ACRES
	Wetted	17 ACRES
Capacities	Channel**	9,000 CFS
	Intakes	400 CFS
	Storage	168 AF
	Percolation*	30 CFS
	Location	BOTH NORTH AND SOUTH SIDES OF SAN DIMAS WASH CHANNEL AT SOUTHWESTERLY CORNER OF INTERSECTION OF ARROW HIGHWAY AND BARRANCA AVENUE.
	Source of Water	COVINA IRRIGATING COMPANY, UNCONTROLLED RUNOFF, IMPORTED.
	Remarks	SPREADING GROUNDS UTILIZED TO CONSERVE EXCESS COVINA IRRIGATION COMPANY WATER RELEASED FROM THE COMMITTEE OF NINE.
		* THE CAPACITY LISTED IS ESTIMATES OF INFILTRATION RATES.
		** DESIGN CAPACITY OF MAIN CHANNEL.

BIG DALTON

	Type	SHALLOW
	Season First Used	1930-31
Area	Gross	24 ACRES
	Wetted	8 ACRES
Capacities	Channel**	5,000 CFS
	Intakes	45 CFS
	Storage	12 AF
	Percolation*	12 CFS
	Location	WESTERLY SIDE OF BIG DALTON WASH, ONE HALF MILE ABOVE SIERRA MADRE AVENUE.
	Source of Water	CONTROLLED FLOWS FROM BIG DALTON DAM AND BIG DALTON DEBRIS BASIN.
	Remarks	
		* THE CAPACITY LISTED IS ESTIMATES OF INFILTRATION RATES.
		** DESIGN CAPACITY OF MAIN CHANNEL.

BRANFORD

	Type	DEEP
	Season First Used	1956-57
Area	Gross	12 ACRES
	Wetted	7 ACRES
Capacities	Channel**	1,540 CFS
	Intakes	1,540 CFS
	Storage	137 AF
	Percolation*	1 CFS
	Location	SOUTHWESTERLY OF ARLETA AVENUE ABOVE CONFLUENCE OF TUJUNGA WASH AND PACOIMA DIVERSION CHANNEL.
	Source of Water	UNCONTROLLED FLOWS FROM BRANFORD STREET DRAIN.
	Remarks	INSTREAM SPREADING FACILITY. OUTLET CAPACITY 1,540 CFS TO PACOIMA DIVERSION CHANNEL.
		* THE CAPACITY LISTED IS ESTIMATES OF INFILTRATION RATES.
		** DESIGN CAPACITY OF MAIN CHANNEL.

WATER CONSERVATION – SUMMARY – DPW FACILITIES

BUENA VISTA

	Type	DEEP
	Season First Used	1954-55
Area	Gross	10 ACRES
	Wetted	6 ACRES
Capacities	Channel**	2,900 CFS
	Intakes	2,900 CFS
	Storage	177 AF
	Percolation*	6 CFS
	Location	1.0 MILE EASTERLY OF SAWPIT WASH. 0.5 MILE NORTHERLY OF ARROW HIGHWAY, BETWEEN MERIDIAN STREET AND BUENA VISTA CHANNEL.
	Source of Water	CONTROLLED FLOW FROM SANTA FE DAM AND UNCONTROLLED FLOW FROM BUENA VISTA CHANNEL.
	Remarks	INSTREAM SPREADING FACILITY. TOTAL OUTLET CAPACITY OF 270 CFS.
		* THE CAPACITY LISTED IS ESTIMATES OF INFILTRATION RATES.
		** DESIGN CAPACITY OF MAIN CHANNEL.

CITRUS

	Type	SHALLOW
	Season First Used	1960-61
Area	Gross	19 ACRES
	Wetted	15 ACRES
Capacities	Channel**	11,000 CFS
	Intakes	245 CFS
	Storage	80 AF
	Percolation*	28 CFS
	Location	SOUTH SIDE OF BIG DALTON WASH BETWEEN CITRUS AND CERRITOS AVENUES.
	Source of Water	CONTROLLED FLOWS FROM BIG DALTON DAM AND LITTLE DALTON DEBRIS DAMS. UNCONTROLLED FLOWS FROM BIG DALTON WASH.
	Remarks	THERE ARE 2 INTAKES, ONE IS A DROP INLET, THE OTHER AN AIR INFLATED RUBBER DAM.
		* THE CAPACITY LISTED IS ESTIMATES OF INFILTRATION RATES.
		** DESIGN CAPACITY OF MAIN CHANNEL.

DOMINGUEZ GAP

	Type	DEEP
	Season First Used	1957-58
Area	Gross	54 ACRES
	Wetted	24 ACRES
Capacities	Channel**	146,000 CFS
	Intakes	20 CFS
	Storage	234 AF
	Percolation*	1 CFS
	Location	SOUTH OF DEL AMO BOULEVARD AND BORDERS THE EASTERN AND WESTERN SIDES OF THE LOS ANGELES RIVER
	Source of Water	CONTROLLED FLOW FROM LOS ANGELES RIVER LOW FLOW CHANNEL AND UNCONTROLLED FLOWS FROM STORM DRAINS.
	Remarks	EAST SIDE BASIN USED FOR FLOOD REGULATION WITH SOME CONSERVATION STORAGE. INTAKE CAPACITY IS 20 CFS FOR LOW FLOW DIVERSION FROM THE LOS ANGELES RIVER. THE WEST SIDE BASIN IS FED BY A 24-INCH CONCRETE PIPE FROM THE EAST SIDE BASIN.
		* THE CAPACITY LISTED IS ESTIMATES OF INFILTRATION RATES.
		** DESIGN CAPACITY OF MAIN CHANNEL.

WATER CONSERVATION – SUMMARY – DPW FACILITIES

EATON BASIN

	Type	DEEP
	Season First Used	1956-57
Area	Gross	16 ACRES
	Wetted	10 ACRES
Capacities	Channel**	9,500 CFS
	Intakes	400 CFS
	Storage	284 AF
	Percolation*	10 CFS
	Location	EAST SIDE OF EATON WASH, NORTH OF DUARTE ROAD, 0.6 MILES SOUTH OF HUNTINGTON DRIVE.
	Source of Water	CONTROLLED FLOW FROM EATON WASH DAM AND UNCONTROLLED FLOWS BETWEEN DAM AND SPREADING BASIN.
	Remarks	
		* THE CAPACITY LISTED IS ESTIMATES OF INFILTRATION RATES.
		** DESIGN CAPACITY OF MAIN CHANNEL.

EATON WASH

	Type	DEEP & SHALLOW
	Season First Used	1947-48
Area	Gross	28 ACRES
	Wetted	25 ACRES
Capacities	Channel**	6,600 CFS
	Intakes	200 CFS
	Storage	525 AF
	Percolation*	14 CFS
	Location	EASTERLY SIDE OF EATON WASH FROM BELOW EATON DAM TO FOOTHILL BOULEVARD.
	Source of Water	CONTROLLED FLOW FROM EATON WASH DAM. IMPORTED WATER CAN BE SPREAD IN STRIP BASINS.
	Remarks	
		* THE CAPACITY LISTED IS ESTIMATES OF INFILTRATION RATES.
		** DESIGN CAPACITY OF MAIN CHANNEL.

FORBES

	Type	SHALLOW
	Season First Used	1964-65
Area	Gross	21 ACRES
	Wetted	10 ACRES
Capacities	Channel**	9,000 CFS
	Intakes	100 CFS
	Storage	87 AF
	Percolation*	5 CFS
	Location	SOUTH SIDE OF SAN DIMAS WASH BETWEEN LONE HILL AVENUE AND VALLEY CENTER AVENUE.
	Source of Water	CONTROLLED RELEASES FROM PUDDINGSTONE DIVERSION DAM, AND UNCONTROLLED FLOWS FROM SAN DIMAS WASH; ALSO IMPORTED .
	Remarks	
		* THE CAPACITY LISTED IS ESTIMATES OF INFILTRATION RATES.
		** DESIGN CAPACITY OF MAIN CHANNEL.

WATER CONSERVATION – SUMMARY – DPW FACILITIES

HANSEN

	Type	SHALLOW
	Season First Used	1944-45
Area	Gross	156 ACRES
	Wetted	105 ACRES
Capacities	Channel**	22,000 CFS
	Intakes	400 CFS
	Storage	279 AF
	Percolation*	150 CFS
	Location	NORTHWESTERLY SIDE OF TUJUNGA WASH FROM ABOVE GLENOAKS BOULEVARD SOUTHWESTERLY TO SAN FERNANDO ROAD.
	Source of Water	CONTROLLED FLOWS FROM HANSEN DAM AND BIG TUJUNGA DAM.
	Remarks	
		* THE CAPACITY LISTED IS ESTIMATES OF INFILTRATION RATES.
		** DESIGN CAPACITY OF MAIN CHANNEL.

IRWINDALE/MANNING PIT

	Type	DEEP
	Season First Used	1958-59
Area	Gross	62 ACRES
	Wetted	30 ACRES
Capacities	Channel**	25,500 CFS
	Intakes	400 CFS
	Storage	1,134 AF
	Percolation*	60 CFS
	Location	NORTHEASTERLY OF INTERSECTION OF BIG DALTON CHANNEL AND IRWINDALE AVENUE; CONTINUES 1,300 FEET EAST OF IRWINDALE VENUE
	Source of Water	BIG DALTON CHANNEL CONTROLLED FLOWS FROM BIG AND LITTLE DALTON DEBRIS DAMS AND PUDDINGSTONE DIVERSION DAM; UNCONTROLLED FLOWS; ALSO IMPORTED RELEASES .
	Remarks	IRWINDALE CLEANED OUT SUMMER OF 1996.
		* THE CAPACITY LISTED IS ESTIMATES OF INFILTRATION RATES.
		** DESIGN CAPACITY OF MAIN CHANNEL.

LITTLE DALTON

	Type	SHALLOW
	Season First Used	1931-32
Area	Gross	14 ACRES
	Wetted	5 ACRES
Capacities	Channel**	8,600 CFS
	Intakes	20 CFS
	Storage	5 AF
	Percolation*	15 CFS
	Location	WESTERLY OF GLENDORA MT. ROAD FROM LITTLE DALTON DEBRIS BASIN SOUTH TO EAST PALM DRIVE.
	Source of Water	CONTROLLED FLOW FROM LITTLE DALTON DEBRIS BASIN AND IMPORTED WATER. (IMPORTED WATER DELIVERY COMMENCED IN OCTOBER 1995).
	Remarks	
		* THE CAPACITY LISTED IS ESTIMATES OF INFILTRATION RATES.
		** DESIGN CAPACITY OF MAIN CHANNEL.

WATER CONSERVATION – SUMMARY – DPW FACILITIES

LIVE OAK

	Type	SHALLOW
	Season First Used	1961-62
Area	Gross	5 ACRES
	Wetted	2 ACRES
Capacities	Channel**	2,600 CFS
	Intakes	15 CFS
	Storage	2 AF
	Percolation*	13 CFS
	Location	WESTERLY SIDE OF LIVE OAK WASH. NORTH OF BASE LINE ROAD (PROJECTED).
	Source of Water	CONTROLLED FLOW FROM LIVE OAK DAM AND LIVE OAK DEBRIS BASIN
	Remarks	
		* THE CAPACITY LISTED IS ESTIMATES OF INFILTRATION RATES.
		** DESIGN CAPACITY OF MAIN CHANNEL.

LOPEZ

	Type	SHALLOW
	Season First Used	1956-57
Area	Gross	18 ACRES
	Wetted	12 ACRES
Capacities	Channel**	11,000 CFS
	Intakes	25 CFS
	Storage	24 AF
	Percolation*	15 CFS
	Location	SOUTHEASTERLY SIDE OF PACOIMA WASH, NORTHEASTERLY OF FOOTHILL BOULEVARD.
	Source of Water	CONTROLLED FLOW FROM PACOIMA DAM AND LOPEZ FLOOD CONTROL BASIN
	Remarks	
		* THE CAPACITY LISTED IS ESTIMATES OF INFILTRATION RATES.
		** DESIGN CAPACITY OF MAIN CHANNEL.

PACOIMA

	Type	SHALLOW
	Season First Used	1932-33
Area	Gross	169 ACRES
	Wetted	107 ACRES
Capacities	Channel**	17,000 CFS
	Intakes	600 CFS
	Storage	440 AF
	Percolation*	65 CFS
	Location	BOTH SIDES OF OLD PACOIMA WASH CHANNEL FROM ARLETA AVENUE SOUTHWESTERLY TO WOODMAN AVENUE.
	Source of Water	CONTROLLED FLOW FROM PACOIMA DAM. PARTIALLY CONTROLLED FLOW FROM LOPEZ FLOOD CONTROL BASIN, UNCONTROLLED FLOW FROM EAST CANYON AND PACOIMA WASH AND IMPORTED WATER.
	Remarks	
		* THE CAPACITY LISTED IS ESTIMATES OF INFILTRATION RATES.
		** DESIGN CAPACITY OF MAIN CHANNEL.

WATER CONSERVATION – SUMMARY – DPW FACILITIES

PECK ROAD

	Type	DEEP
	Season First Used	1959-60
Area	Gross	157 ACRES
	Wetted	105 ACRES
Capacities	Channel**	30,100 CFS
	Intakes	30,100 CFS
	Storage	3,347 AF
	Percolation*	25 CFS
Location	CONFLUENCE OF SAWPIT AND SANTA ANITA WASHES.	
Source of Water	CONTROLLED RELEASES FROM SANTA ANITA AND SAWPIT DEBRIS BASINS AND UNCONTROLLED FLOWS FROM LOCAL RUNOFF VIA SAWPIT AND SANTA ANITA WASHES.	
Remarks	INSTREAM SPREADING FACILITY.	
	*	THE CAPACITY LISTED IS ESTIMATES OF INFILTRATION RATES.
	**	DESIGN CAPACITY OF MAIN CHANNEL.

RIO HONDO COASTAL

	Type	SHALLOW
	Season First Used	1937-38
Area	Gross	570 ACRES
	Wetted	430 ACRES
Capacities	Channel**	40,000 CFS
	Intakes	1,950 CFS
	Storage	3,694 AF
	Percolation*	400 CFS
Location	EASTERLY SIDE OF RIO HONDO SOUTHERLY FROM S. P. R. R. (SOUTH OF WHITTIER BLVD.) TO SLAUSON AVENUE; WEST SIDE OF RIO HONDO CHANNEL FROM 0.2 MILE ABOVE WHITTIER BOULEVARD SOUTH TO FOSTER BRIDGE BOULEVARD.	
Source of Water	CONTROLLED RELEASES FROM SAN GABRIEL CANYON DAMS, SANTA FE AND WHITTIER NARROWS DAMS. UNCONTROLLED RUNOFF VIA SAN GABRIEL RIVER, RIO HONDO CHANNEL AND THEIR TRIBUTARIES; ALSO IMPORTED AND RECLAIMED WATER.	
Remarks	IN COOPERATION WITH THE CORPS OF ENGINEERS. THE DISTRICT OPERATES 1,200 ACRE-FOOT POOL AT WHITTIER NARROWS DAM FOR RETENTION OF STORM WATER.	
	*	THE CAPACITY LISTED IS ESTIMATES OF INFILTRATION RATES.
	**	DESIGN CAPACITY OF MAIN CHANNEL.

S.G. RIVER (MONTEBELLO FOREBAY)

	Type	SHALLOW
	Season First Used	1954-55
Area	Gross	308 ACRES
	Wetted	308 ACRES
Capacities	Channel**	20,000 CFS
	Intakes	In river Percolation
	Storage	913 AF
	Percolation*	75 CFS
Location	HEADWORKS TO FIRESTONE AVE. ONLY. STORAGE BEHIND THE SEVEN RUBBER DAMS INSTALLED ON DROP STRUCTURE.	
Source of Water	SAME AS SAN GABRIEL COASTAL.	
Remarks		
	*	THE CAPACITY LISTED IS ESTIMATES OF INFILTRATION RATES.
	**	DESIGN CAPACITY OF MAIN CHANNEL.

WATER CONSERVATION – SUMMARY – DPW FACILITIES

S.G. RIVER (SAN GABRIEL VALLEY)

	Type	
	Season First Used	1965-66
Area	Gross	196 ACRES
	Wetted	196 ACRES
Capacities	Channel**	41,000-98,000 CFS
	Intakes	In river Percolation
	Storage	0 AF
	Percolation*	180 CFS
	Location	SAN GABRIEL RIVER FROM SANTA FE DAM TO WHITTIER NARROWS DAM.
	Source of Water	CONTROLLED FLOW FROM DAMS IN SAN GABRIEL CANYON, SANTA FE DAM AND UNCONTROLLED VALLEY RUNOFF BELOW SANTA FE DAM; ALSO IMPORTED WATER.
	Remarks	
		* THE CAPACITY LISTED IS ESTIMATES OF INFILTRATION RATES.
		** DESIGN CAPACITY OF MAIN CHANNEL.

SAN DIMAS CANYON

	Type	SHALLOW
	Season First Used	1965-66
Area	Gross	22 ACRES
	Wetted	11 ACRES
Capacities	Channel**	7,000 CFS
	Intakes	25 CFS
	Storage	22 AF
	Percolation*	12 CFS
	Location	SOUTHEAST SIDE OF SAN DIMAS WASH BETWEEN PUDDINGSTONE DIVERSION AND SAN DIMAS CANYON ROAD.
	Source of Water	CONTROLLED RELEASES FROM PUDDINGSTONE DIVERSION DAM; UNCONTROLLED FLOW FROM LOCAL STORM RUNOFF.
	Remarks	
		* THE CAPACITY LISTED IS ESTIMATES OF INFILTRATION RATES.
		** DESIGN CAPACITY OF MAIN CHANNEL.

SAN GABRIEL CANYON

	Type	DEEP
	Season First Used	1917
Area	Gross	165 ACRES
	Wetted	140 ACRES
Capacities	Channel**	98,000 CFS
	Intakes	150 CFS
	Storage	8,170 AF
	Percolation*	50 CFS
	Location	EASTERLY SIDE OF SAN GABRIEL RIVER. BELOW MOUTH OF SAN GABRIEL CANYON. NORTH OF THE CITY OF AZUSA.
	Source of Water	SAN GABRIEL RIVER CONTROLLED RELEASES FROM COGSWELL DAM, SAN GABRIEL DAM, AND MORRIS DAM. COMMITTEE OF NINE SURPLUS FLOWS AND IMPORTED WATER.
	Remarks	THERE ARE 2 INTAKES TO THIS FACILITY, ONE IS FED FROM SURPLUS 'COMMITTEE OF NINE' FLOWS, THE OTHER IS FROM THE RIVER INTO BASIN NO. 2.
		* THE CAPACITY LISTED IS ESTIMATES OF INFILTRATION RATES.
		** DESIGN CAPACITY OF MAIN CHANNEL.

WATER CONSERVATION – SUMMARY – DPW FACILITIES

SAN GABRIEL COASTAL

	Type	SHALLOW
	Season First Used	1938-39
Area	Gross	128 ACRES
	Wetted	96 ACRES
Capacities	Channel**	20,000 CFS
	Intakes	350 CFS
	Storage	550 AF
	Percolation*	75 CFS
	Location	WESTERLY SIDE OF SAN GABRIEL RIVER, SOUTHERLY FROM WHITTIER BOULEVARD TO WASHINGTON BOULEVARD.
	Source of Water	CONTROLLED RELEASES FROM SAN GABRIEL CANYON DAMS, SANTA FE AND WHITTIER NARROWS DAMS. ALSO IMPORTED AND RECLAIMED WATER.
	Remarks	
		* THE CAPACITY LISTED IS ESTIMATES OF INFILTRATION RATES.
		** DESIGN CAPACITY OF MAIN CHANNEL.

SANTA ANITA

	Type	SHALLOW
	Season First Used	1944-45
Area	Gross	20 ACRES
	Wetted	8 ACRES
Capacities	Channel**	12,000 CFS
	Intakes	20 CFS
	Storage	25 AF
	Percolation*	5 CFS
	Location	WESTERLY SIDE OF SANTA ANITA WASH 1.25 MILES ABOVE FOOTHILL BOULEVARD.
	Source of Water	CONTROLLED FLOW FROM SANTA ANITA DAM AND SANTA ANITA DEBRIS BASIN.
	Remarks	THE HEADWORKS LOCATED UPSTREAM OF THE DEBRIS BASIN DIVERTS WATER TO SANTA ANITA SPREADING GROUNDS AND CITY OF SIERRA MADRE SPREADING GROUNDS
		* THE CAPACITY LISTED IS ESTIMATES OF INFILTRATION RATES.
		** DESIGN CAPACITY OF MAIN CHANNEL.

SANTA FE

	Type	SHALLOW
	Season First Used	1953-54
Area	Gross	338 ACRES
	Wetted	168 ACRES
Capacities	Channel**	98,000 CFS
	Intakes	600 CFS
	Storage	540 AF
	Percolation*	400 CFS
	Location	WITHIN SANTA FE DAM RESERVOIR AND SPILLWAY AREAS.
	Source of Water	CONTROLLED FLOWS FROM SAN GABRIEL CANYON RESERVOIRS. UNCONTROLLED FLOWS FROM SAN GABRIEL RIVER BELOW MORRIS RESERVOIR; ALSO IMPORTED WATER.
	Remarks	NEW DIVERSION HEADWORKS STRUCTURE CONSTRUCTED, CONSISTING OF A NEW RUBBER DAM AND 2 INTAKES GATES.
		* THE CAPACITY LISTED IS ESTIMATES OF INFILTRATION RATES.
		** DESIGN CAPACITY OF MAIN CHANNEL.

WATER CONSERVATION – SUMMARY – DPW FACILITIES

SAWPIT

	Type	SHALLOW
	Season First Used	1946-47
Area	Gross	12 ACRES
	Wetted	4 ACRES
Capacities	Channel**	5,000 CFS
	Intakes	30 CFS
	Storage	13 AF
	Percolation*	12 CFS
	Location	WESTERLY SIDE OF SAWPIT WASH BELOW MOUTH OF CANTON NEAR NORUMBEGA DRIVE, MONROVIA.
	Source of Water	CONTROLLED FLOWS FROM SAWPIT DAM AND SAWPIT DEBRIS BASIN.
	Remarks	
		* THE CAPACITY LISTED IS ESTIMATES OF INFILTRATION RATES.
		** DESIGN CAPACITY OF MAIN CHANNEL.

VALLY BLVD. RUBBER DAM

	Type	SHALLOW
	Season First Used	1994-95
Area	Gross	60 ACRES
	Wetted	60 ACRES
Capacities	Channel**	60,000 CFS
	Intakes	In river Percolation
	Storage	400 AF
	Percolation*	0 CFS
	Location	DROP STRUCTURE SOUTH OF VALLY BLVD, AT THE CONFLUENCE OF THE SAN GABRIEL RIVER AND WALNUT CREEK.
	Source of Water	SAME AS FORBES AND IRWINDALE/MANNING PIT CAN ALSO RECEIVE RELEASE FROM SAN GABRIEL CANYON RERSERVOIRS AND IMPORTED WATER.
	Remarks	
		* THE CAPACITY LISTED IS ESTIMATES OF INFILTRATION RATES.
		** DESIGN CAPACITY OF MAIN CHANNEL.

WALNUT

	Type	DEEP
	Season First Used	1962-63
Area	Gross	16 ACRES
	Wetted	8 ACRES
Capacities	Channel**	8,000 CFS
	Intakes	150 CFS
	Storage	170 AF
	Percolation*	5 CFS
	Location	WEST SIDE OF WALNUT WASH, NORTH OF SAN BERNARDINO FREEWAY.
	Source of Water	CONTROLLED FLOW FROM PUDDINGSTONE DAM AND UNCONTROLLED FLOWS FROM WALNUT CREEK.
	Remarks	BASIN CLEANED OUT SUMMER OF 1995.
		* THE CAPACITY LISTED IS ESTIMATES OF INFILTRATION RATES.
		** DESIGN CAPACITY OF MAIN CHANNEL.

APPENDIX H

HYDROLOGIC REPORT 2001 – 2002

WATER CONSERVATION – SUMMARY – NON DPW FACILITIES

WATER CONSERVATION – SUMMARY – NON DPW FACILITIES

FISH CANYON (COMMITTEE OF NINE)

Type SHALLOW BASINS
Season First Used ABOUT 1917
Area **Gross** 6 ACRES
 Wetted 4.0 ACRES
Capacities **Channel**** CFS
 Intakes CFS
 Storage AF
 Percolation* 7 CFS
Location WESTERLY SIDE OF SAN GABRIEL RIVER BELOW MOUTH OF FISH CANYON AND NORTH OF THE CITY OF AZUSA.
Source of Water THE 'COMMITTEE OF NINE'.
Remarks OWNED AND OPERATED BY CAL-AMERICAN WATER COMPANY.
 * THE CAPACITY LISTED IS ESTIMATES OF INFILTRATION RATES.
 ** DESIGN CAPACITY OF MAIN CHANNEL.

SIERRA MADRE (CITY OF SIERRA MADRE)

Type SHALLOW BASINS
Season First Used ABOUT 1933
Area **Gross** 22 ACRES
 Wetted 9.0 ACRES
Capacities **Channel**** CFS
 Intakes 25 CFS
 Storage 47 AF
 Percolation* 15 CFS
Location CITY OF SIERRA MADRE, SOUTH SIDE OF GRANDVIEW AVENUE, ONE HALF MILE WEST OF SANTA ANITA AVENUE.
Source of Water LITTLE SANTA ANITA CREEK AND STREET RUNOFF ALSO CONTROLLED FLOWS FROM SANTA ANITA DAM.
Remarks THE DEPARTMENT DIVERTS WATER TO THIS FACILITY VIA SANTA ANITA HEADWORKS.
 * THE CAPACITY LISTED IS ESTIMATES OF INFILTRATION RATES.
 ** DESIGN CAPACITY OF MAIN CHANNEL.

THOMPSON CREEK POMONA VALLEY PROTECTIVE ASSOCIATION

Type DITCHES CHECKS AND DEEP BASIN
Season First Used ABOUT 1928
Area **Gross** 53 ACRES
 Wetted 37.0 ACRES
Capacities **Channel**** CFS
 Intakes 35 CFS
 Storage AF
 Percolation* 15 CFS
Location SOUTHERLY FROM, AND ADJACENT TO THOMPSON CREEK DAM, EAST SIDE OF CREEK
Source of Water COBAL, WILLIAMS, PALMER, AND PADUA CREEKS, ALSO THOMPSON CREEK, WHEN RESERVOIR ABOVE ELEVATION 1,625.
Remarks OPERATED BY POMONA VALLEY PROTECTIVE ASSOCIATION. THE DEPARTMENT DIVERTS WATER TO THIS FACILITY VIA THE PALMER DIVERSION.
 * THE CAPACITY LISTED IS ESTIMATES OF INFILTRATION RATES.
 ** DESIGN CAPACITY OF MAIN CHANNEL.

WATER CONSERVATION – SUMMARY – NON DPW FACILITIES

TUJUNGA (L.A. CITY DEPT. OF WATER AND POWER)

	Type	SHALLOW BASINS
	Season First Used	ABOUT 1931-32
Area	Gross	188 ACRES
	Wetted	83.2 ACRES
Capacities	Channel**	22000.0 CFS
	Intakes	400 CFS
	Storage	100 AF
	Percolation*	120 CFS
	Location	SAN FERNANDO VALLEY, EAST SIDE OF TUJUNGA WASH AT ROSCOE BOULEVARD
	Source of Water	CONTROLLED RELEASES FROM BIG TUJUNGA CAM, HANSEN DAM AND UNCONTROLLED RUNOFF FROM STORM DRAINS, ALSO IMPORTED WATER.
	Remarks	THE DEPARTMENT HAS AN AGREEMENT WITH THE CITY OF LOS ANGELES TO OPERATE THIS FACILITY.
		* THE CAPACITY LISTED IS ESTIMATES OF INFILTRATION RATES.
		** DESIGN CAPACITY OF MAIN CHANNEL.

APPENDIX I

HYDROLOGIC REPORT 2001 – 2002

WATER CONSERVATION – SUMMARY – WATER CONSERVED

WATER CONSERVATION – SUMMARY – WATER CONSERVED

Los Angeles County Department of Public Works
Total Monthly Water Conserved (acre-feet) during Water Year 2001-2002

AREA	SPREADING FACILITY	OCT	NOV	DEC	JAN	FEB	MAR	APR	MAY	JUN	JUL	AUG	SEP	ACC TOT	Historic Average	Historic High		
																Amnt	Wtr Yr	
San Fernando Valley Facilities	Branford	25	113	68	73	33	26	18	23	19	17	17	28	460	366	724	1969-70	
	Hansen	87	229	191	222	139	136	134	72	132	0	0	0	1342	10897	35221	1982-83	
	Lopez	0	0	0	0	0	0	0	0	0	0	0	0	0	0	568	1938	1967-68
	Pacoima	269	81	92	220	71	0	0	28	0	0	0	0	761	4956	22973	1982-83	
	Tujunga*	51	0	9	40	1	0	0	0	0	0	0	0	0	101	9384	42817	1982-83
	SUBTOTAL1	432	423	360	555	244	162	152	123	123	151	17	17	28	2664	26171		
San Gabriel Valley Facilities	Ben Lomond	0	0	0	0	77	0	0	1145	1074	1424	1389	216	5325	2969	6444	1966-67	
	Big Dalton	0	0	0	2	0	0	0	0	0	0	0	0	2	658	3766	1966-67	
	Buena Vista	11	33	32	42	26	32	28	5	5	6	6	10	236	665	2731	1957-58	
	Citrus	0	30	94	99	30	13	32	26	43	3	22	0	392	874	6478	1994-95	
	Eaton Basin	135	162	126	138	41	87	25	61	84	74	60	59	1052	1008	3481	1982-83	
	Eaton Grounds	0	0	15	0	20	0	0	0	0	0	0	0	35	962	4761	1982-83	
	Forbes	0	0	0	0	0	0	0	138	0	0	0	260	398	823	2628	1986-87	
	Irwindale	0	1	113	0	10	0	0	1860	1560	1080	1190	1460	7274	5162	41280	1991-92	
	Little Dalton	566	623	126	455	0	0	308	660	0	0	0	0	2738	422	5546	1995-96	
	Live Oak	0	0	0	0	0	0	0	0	0	0	0	0	0	0	221	1660	1982-83
	Peck Road	46	450	236	313	97	151	35	43	40	55	31	26	1523	7925	50026	1982-83	
	San Dimas Canyon	0	1	1	0	0	0	0	0	65	0	0	0	67	1919	6049	1982-83	
	San Gabriel Canyon	1860	2900	3560	3990	1550	331	4230	3340	3440	1702	1620	2210	30733	10699	32840	1999-00	
	Santa Anita	0	0	0	9	1	6	0	1	0	0	0	0	17	487	1641	1965-66	
	Santa Fe SG	5580	4110	995	0	0	0	448	0	0	0	0	0	11133	26547	124478	1982-83	
	Sawpit	17	34	50	68	65	55	60	56	52	43	34	16	550	781	2926	1982-83	
	Walnut	115	95	48	260	116	100	120	119	55	125	120	102	1375	1220	3063	1992-93	
Sierra Madre*	0	0	0	60	0	120	0	18	0	0	0	0	198	1765	5003	1966-67		
Fish Canyon*	550	536	495	428	345	320	176	123	4	70	64	65	3176	6142	9737	1978-79		
S.G. River Perc. Reach from Morris Dam to W.N. Dam	Morris Dam to Sta. F190	5253	647	471	273	318	657	1012	988	1378	1157	992	927	14073	21906	119600	1977-78	
	Sta. F190 to Santa Fe Dam O/F	1,102	1320	1649	41	38	44	109	16	6	11	8	6	4350	13933	141600	1968-69	
	Santa Fe Dam O/F to Sta. F263	2,393	5900	4743	8668	816	2172	2070	575	801	441	1280	2153	32012	18731	79083	1991-92	
	SUBTOTAL2	17628	16,842	12754	14846	3550	4088	8653	9174	8607	6191	6816	7510	116659	125819			
Coastal Plain Facilities	Rio Hondo Coastal	2040	7720	8464	4870	1937	4106	3479	2772	3529	4040	765	31	43753	65404	96363	1978-79	
	Whittier Narrows Reservoir	2251	3,812	1943	1939	1945	2207	2121	3352	1397	2023	3617	2514	29121	30591	102610	1991-92	
	San Gabriel Coastal	2054	7774	8450	9085	1790	2585	2748	2330	2124	2056	2096	4505	47597	30247	81586	1992-93	
	Dominguez Gap	0	87	262	399	368	226	0	0	0	0	0	0	1342	575	2414	1961-62	
	SUBTOTAL3	6345	19393	19119	16293	6040	9124	8348	8454	7050	8119	6,478	7050	121813	126817			
Total Water	Conserved	24405	36658	32233	31694	9834	13374	17153	17751	15808	14327	13311	14588	241136	278807			

NOTES:
* : Owned by other entities
e: Estimated

APPENDIX J

HYDROLOGIC REPORT 2001 – 2002

WATER CONSERVATION – SUMMARY – IMPORTED WATER

WATER CONSERVATION – SUMMARY – IMPORTED WATER

IMPORTED WATER OUTLET RELEASES: *Water Delivered in Acre-Feet*

	San Dimas CB-48	Thompson Creek CB-28	Alhambra CB-36	USG3		TVMWD Little Dalton PM26	Olden Street L.A. 699	SGVMWD					Waste to the Ocean	Monthly Total Spread
				MSGB/ Santa Fe	San. Gab. Cyn. S.G.			SG Canyon Basin1	Beatty Canyon	Big Dalton	San Dimas			
											MSGB	Forbes		
Oct	0	4,615.7	0	7,412.5	1,860	570.5	0	0	0	0	0	0	0	14,458.7
Nov	8,244.9	5,781.6	0	5,426.1	2,897.3	622.8	0	0	0	0	0	0	0	22,972.7
Dec	7,716.8	5,827.4	0	1,588.4	0	126.1	0	2,517.5	0	0	0	0	0	17,776.2
Jan	3,410.2	5,671.5	0	0	0	448.9	0	3,310.5	0	0	0	0	0	12,841.1
Feb	0	0	0	0	0	0	0	1,345.6	0	0	79.3	0	0	1,424.9
Mar	0	0	0	0	0	0	0	0	0	0	0	0	0	0
Apr	0	0	0	54.4	1,876	308.1	0	1,619.5	0	0	0	0	0	3,858
May	0	0	0	0	3,247.1	660.4	0	0	0	0	3,038.0	0	0	6,945.5
Jun	0	0	0	1,456.1	3,638.6	0	0	0	0	0	2,425.5	0	0	7,520.2
Jul	0	0	0	2,664.7	1,494	0	0	0	0	0	2,312.9	0	0	6,471.6
Aug	0	0	0	2,043.6	1,947.2	0	0	39.7	0	0	2,418.6	0	0	6,449.1
Sep	0	0	0	1,963.7	1,675	0	0	257.8	0	0	1,861.2	260	0	6,017.7
TOTAL	19,371.9	21,896.2	0	22,609.5	18,635.2	2,736.8	0	9,090.6	0	0	12,135.5	260	0	106,735.7

APPENDIX K

HYDROLOGIC REPORT 2001 – 2002

WATER CONSERVATION – SUMMARY – RECLAIMED WATER

WATER CONSERVATION – SUMMARY – RECLAIMED WATER

RECLAIMED WATER : *Water Delivered in Acre-Feet*

	WHITTIER NARROWS PLANT				SAN JOSE PLANT				POMONA PLANT	MONTHLY TOTAL SPREAD
	Delivered		Wasted	Monthly Spread	Delivered		Wasted	Monthly Spread		
	Rio Hondo	San Gabriel			Rio Hondo	San Gabriel				
Oct	361.0	390.2	0	751.2	872.3	1167.7	0	2040.0	217.4	3008.6
Nov	694.3	0	453.0	241.3	747.2	1049.6	969.3	827.5	154.6	1223.4
Dec	787.9	0	12.2	775.7	885.8	1026.7	0	1912.5	339.2	3027.4
Jan	360.6	431.3	23.5	768.4	617.1	1161.0	42.0	1736.1	194.0	2698.5
Feb	96.4	617.1	0	713.5	2147.7	1172.0	0	3319.7	164.9	4198.1
Mar	789.6	0	0	789.6	3784.6	2303.4	0	6088.0	241.0	7118.6
Apr	726.0	52.0	0	778.0	3528.8	2769.1	0	6297.9	261.6	7337.5
May	803.9	0	0	803.9	4015.7	2273.9	0	6289.6	190.0	7283.5
Jun	729.3	0	0	729.3	3802.3	2123.9	0	5926.2	40.8	6696.3
Jul	674.6	63.6	0	738.2	3611.9	2273.9	0	5885.8	22.5	6646.5
Aug	465.4	250.4	0	715.8	1214.6	3122.0	0	4336.6	83.2	5135.6
Sep	669.0	0	0	669.0	0	5534.3	0	5534.3	18.4	6221.7
TOTAL	7158.0	1804.6	488.7	8473.9	25228.0	25977.5	1011.3	50194.2	1927.6	60595.7

APPENDIX L

HYDROLOGIC REPORT 2001 – 2002

WATER CONSERVATION – SUMMARY – GROUND WATER

WATER CONSERVATION – SUMMARY – GROUND WATER

GROUND WATER FLUCTUATION:**Location : Coastal Plain, City of Long Beach****Ground Surface Elevation: 26.6 ft above MSL**

STATION	460K
	WS Elev.
Jan-50	-30.1
Feb-50	-30.7
Mar-50	-27.3
Apr-50	-45.6
May-50	-41.4
Jun-50	-45.1
Jul-50	-49.6
Aug-50	-56.9
Sep-50	-51.9
Oct-50	-55.3
Nov-50	-60.7
Dec-50	-43.8
Jan-51	-49.9
Feb-51	-49.4
Mar-51	-54
Apr-51	-66.9
May-51	-57.9
Jun-51	-67.7
Jul-51	-67.1
Aug-51	-77.2
Sep-51	-70.4
Oct-51	-73.3
Nov-51	-67.6
Dec-51	-53.8
Jan-52	-46.8
Feb-52	-45.7
Mar-52	-44.7
Apr-52	-47.4
May-52	-40.3
Jun-52	-45.9
Jul-52	-62.7
Aug-52	-74
Sep-52	-76.4
Oct-52	-72.4
Nov-52	-65
Dec-52	-47.7
Jan-53	-43.2
Feb-53	-42.4

WATER CONSERVATION – SUMMARY – GROUND WATER

GROUND WATER FLUCTUATION:

Location : Coastal Plain, City of Long Beach

Ground Surface Elevation: 26.6 ft above MSL

STATION	460K
	WS Elev.
Mar-53	-49.9
Apr-53	-61.6
May-53	-60.6
Jun-53	-71.9
Jul-53	-80.9
Aug-53	-83.5
Sep-53	-78.4
Oct-53	-78.7
Nov-53	-72.3
Dec-53	-63.3
Jan-54	-58.9
Feb-54	-49
Mar-54	-58.3
Apr-54	-54.4
May-54	-61
Jun-54	-75.2
Jul-54	-80.4
Aug-54	-87.4
Sep-54	-88.9
Oct-54	-82.9
Nov-54	-74.9
Dec-54	-63.7
Jan-55	-63.6
Feb-55	-51.3
Mar-55	-59.4
Apr-55	-67.1
May-55	-59.2
Jun-55	-70.7
Jul-55	-77.7
Aug-55	-86.2
Sep-55	-93.3
Oct-55	-93.7
Nov-55	-78.7
Dec-55	-69.3
Jan-56	-72.7
Feb-56	-68.1
Mar-56	-74.7
Apr-56	-83.5

WATER CONSERVATION – SUMMARY – GROUND WATER

GROUND WATER FLUCTUATION:

Location : Coastal Plain, City of Long Beach

Ground Surface Elevation: 26.6 ft above MSL

STATION	460K
	WS Elev.
May-56	-82.3
Jun-56	-87.7
Jul-56	-90
Aug-56	-99
Sep-56	-100.8
Oct-56	-101.3
Nov-56	-97.7
Dec-56	-98.2
Jan-57	-94.6
Feb-57	-69.6
Mar-57	-65.4
Apr-57	-69.4
May-57	-87.4
Jun-57	-88.3
Jul-57	-92.5
Aug-57	-95
Sep-57	-99
Oct-57	-100
Nov-57	-85
Dec-57	-84.1
Jan-58	-76.8
Feb-58	-72.9
Mar-58	-77.5
Apr-58	-70.6
May-58	-87.5
Jun-58	-92.2
Jul-58	-95.4
Aug-58	-93.6
Sep-58	-91.7
Oct-58	-87.6
Nov-58	-84
Dec-58	-82.8
Jan-59	-78.7
Feb-59	-78.3
Mar-59	-74
Apr-59	-81.2
May-59	-82.9
Jun-59	-87.5

WATER CONSERVATION – SUMMARY – GROUND WATER

GROUND WATER FLUCTUATION:**Location : Coastal Plain, City of Long Beach****Ground Surface Elevation: 26.6 ft above MSL**

STATION	460K
	WS Elev.
Jul-59	-94.2
Aug-59	-96.2
Sep-59	-98.2
Oct-59	-96.7
Nov-59	-95.2
Dec-59	-93.5
Jan-60	-83.6
Feb-60	-81.5
Mar-60	-85.8
Apr-60	-83.5
May-60	-75.3
Jun-60	-74.2
Jul-60	-76.5
Aug-60	-92.2
Sep-60	-84.2
Oct-60	-95
Nov-60	-91.3
Dec-60	-76.6
Jan-61	-74.2
Feb-61	-81.8
Mar-61	-91
Apr-61	-92.5
May-61	-81.2
Jun-61	-108.8
Jul-61	-111.7
Aug-61	-112.9
Sep-61	-113
Oct-61	-106.8
Nov-61	-101.4
Dec-61	-92.7
Jan-62	-80.7
Feb-62	-78.1
Mar-62	-74.8
Apr-62	-76.1
May-62	-92.7
Jun-62	-91.7
Jul-62	-100.1
Aug-62	-107.6

WATER CONSERVATION – SUMMARY – GROUND WATER

GROUND WATER FLUCTUATION:**Location : Coastal Plain, City of Long Beach****Ground Surface Elevation: 26.6 ft above MSL**

STATION	460K
	WS Elev.
Sep-62	-109.9
Oct-62	-103.9
Nov-62	-73
Dec-62	-64.4
Jan-63	-55.3
Feb-63	-50.9
Mar-63	-48.7
Apr-63	-47.3
May-63	-48.1
Jun-63	-49.3
Jul-63	-50.5
Aug-63	-63.1
Sep-63	-68.8
Oct-63	-60.4
Nov-63	-46.8
Dec-63	-33.4
Jan-64	-36.4
Feb-64	-33
Mar-64	-31.6
Apr-64	-32.6
May-64	-39.4
Jun-64	-45.9
Jul-64	-47.7
Aug-64	-52
Sep-64	-53.9
Oct-64	-50.5
Nov-64	-40.9
Dec-64	-34.7
Jan-65	-30.7
Feb-65	-30.3
Mar-65	-32.7
Apr-65	-32
May-65	-35.7
Jun-65	-40.3
Jul-65	-40.1
Aug-65	-45.8
Sep-65	-49.5
Oct-65	-44.6

WATER CONSERVATION – SUMMARY – GROUND WATER

GROUND WATER FLUCTUATION:**Location : Coastal Plain, City of Long Beach****Ground Surface Elevation: 26.6 ft above MSL**

STATION	460K
	WS Elev.
Nov-65	-42
Dec-65	-30.6
Jan-66	-26
Feb-66	-24.9
Mar-66	-26.5
Apr-66	-28.8
May-66	-32.2
Jun-66	-43
Jul-66	-48.9
Aug-66	-46.8
Sep-66	-49.5
Oct-66	-45.4
Nov-66	-40.2
Dec-66	-30.1
Jan-67	-24.5
Feb-67	-21.8
Mar-67	-21.7
Apr-67	-20.4
May-67	-16.5
Jun-67	-23.2
Jul-67	-29.8
Aug-67	-41.6
Sep-67	-43.4
Oct-67	-34.5
Nov-67	-35.4
Dec-67	-30.5
Jan-68	-26.9
Feb-68	-24.4
Mar-68	-25
Apr-68	-25.5
May-68	-37.2
Jun-68	-40.9
Jul-68	-40.6
Aug-68	-46.3
Sep-68	-51.3
Oct-68	-46.6
Nov-68	-38.5
Dec-68	-34.1

WATER CONSERVATION – SUMMARY – GROUND WATER

GROUND WATER FLUCTUATION:**Location : Coastal Plain, City of Long Beach****Ground Surface Elevation: 26.6 ft above MSL**

STATION	460K
	WS Elev.
Jan-69	-30.4
Feb-69	-25.8
Mar-69	-26
Apr-69	-26
May-69	-33.9
Jun-69	-42.4
Jul-69	-47.7
Aug-69	-49.1
Sep-69	-51.7
Oct-69	-57
Nov-69	-44.7
Dec-69	-39.2
Jan-70	-34.6
Feb-70	-29.4
Mar-70	-27.1
Apr-70	-31
May-70	-34.5
Jun-70	-39.2
Jul-70	-38.4
Aug-70	-40
Sep-70	-43.7
Oct-70	-52.5
Nov-70	-50.8
Dec-70	-39.5
Jan-71	-31.7
Feb-71	-30
Mar-71	-32.8
Apr-71	-37.8
May-71	-38.2
Jun-71	-39.9
Jul-71	-51
Aug-71	-52.2
Sep-71	-50.1
Oct-71	-54.7
Nov-71	-57
Dec-71	-46.3
Jan-72	-34.2
Feb-72	-32.3

WATER CONSERVATION – SUMMARY – GROUND WATER

GROUND WATER FLUCTUATION:**Location : Coastal Plain, City of Long Beach****Ground Surface Elevation: 26.6 ft above MSL**

STATION	460K
	WS Elev.
Mar-72	-34.3
Apr-72	-40.5
May-72	-44.5
Jun-72	-59.5
Jul-72	-53.5
Aug-72	-64.5
Sep-72	-73.3
Oct-72	-69.2
Nov-72	-60.8
Dec-72	-46.3
Jan-73	-40.2
Feb-73	-38.8
Mar-73	-33.8
Apr-73	-37.9
May-73	-49.5
Jun-73	-59.8
Jul-73	-68.3
Aug-73	-71.1
Sep-73	-69.7
Oct-73	-69.4
Nov-73	-67.5
Dec-73	-52.9
Jan-74	-54.7
Feb-74	-51.7
Mar-74	-54.4
Apr-74	-50.6
May-74	-62.7
Jun-74	-63.9
Jul-74	-69.7
Aug-74	-73.6
Sep-74	-73.6
Oct-74	-76.3
Nov-74	-71.7
Dec-74	-68.8
Jan-75	-58.1
Feb-75	-55.5
Mar-75	-48.1
Apr-75	-45.9

WATER CONSERVATION – SUMMARY – GROUND WATER

GROUND WATER FLUCTUATION:**Location : Coastal Plain, City of Long Beach****Ground Surface Elevation: 26.6 ft above MSL**

STATION	460K
	WS Elev.
May-75	-47.1
Jun-75	-58.9
Jul-75	-70
Aug-75	-74.7
Sep-75	-71.1
Oct-75	-78.3
Nov-75	-75
Dec-75	-72.8
Jan-76	-70
Feb-76	-66.8
Mar-76	-66.1
Apr-76	-69.4
May-76	-70.5
Jun-76	-76.6
Jul-76	-85.4
Aug-76	-85.7
Sep-76	-88
Oct-76	-77.7
Nov-76	-84.2
Dec-76	-78.9
Jan-77	-74.2
Feb-77	-67.2
Mar-77	-66.8
Apr-77	-74.6
May-77	-84.7
Jun-77	-78.9
Jul-77	-88.7
Aug-77	-92.1
Sep-77	-90.4
Oct-77	-90.2
Nov-77	-87.8
Dec-77	-85.2
Jan-78	-78.8
Feb-78	-65.4
Mar-78	-64.1
Apr-78	-63.4
May-78	-50.4
Jun-78	-63.2

WATER CONSERVATION – SUMMARY – GROUND WATER
--

GROUND WATER FLUCTUATION:**Location : Coastal Plain, City of Long Beach****Ground Surface Elevation: 26.6 ft above MSL**

STATION	460K
	WS Elev.
Jul-78	-82.8
Aug-78	-80.9
Sep-78	-83.6
Oct-78	-85.1
Nov-78	-76.1
Dec-78	-66.7
Jan-79	-62
Feb-79	-53.6
Mar-79	-43.5
Apr-79	-42.6
May-79	-53.6
Jun-79	-62.9
Jul-79	-77.1
Aug-79	-85.8
Sep-79	-89.5
Oct-79	-85.2
Nov-79	-83.5
Dec-79	-83.7
Jan-80	-66.8
Feb-80	-57.5
Mar-80	-55.9
Apr-80	-58.9
May-80	-59.1
Jun-80	-69.1
Jul-80	-79.4
Aug-80	-84.9
Sep-80	-86.3
Oct-80	-82.5
Nov-80	-80.3
Dec-80	-77.5
Jan-81	-63.4
Feb-81	-52.1
Mar-81	-49.6
Apr-81	-48.8
May-81	-64.4
Jun-81	-69.1
Aug-81	-72.5
Sep-81	-79

WATER CONSERVATION – SUMMARY – GROUND WATER
--

GROUND WATER FLUCTUATION:**Location : Coastal Plain, City of Long Beach****Ground Surface Elevation: 26.6 ft above MSL**

STATION	460K
	WS Elev.
Nov-81	-64.8
Dec-81	-71.8
Jan-82	-45.1
Feb-82	-49.7
Mar-82	-52.3
Apr-82	-59
Jul-82	-69
Aug-82	-74.2
Sep-82	-73.8
Nov-82	-68
Dec-82	-61.5
Jan-83	-51.6
Feb-83	-52.7
Mar-83	-49.3
Apr-83	-47.8
May-83	-57.5
Jun-83	-63.7
Jul-83	-66.7
Aug-83	-66.7
Sep-83	-53.3
Oct-83	-46.3
Nov-83	-45.5
Dec-83	-21.7
Jan-84	-19.1
Feb-84	-17.5
Mar-84	-21.4
Apr-84	-24.6
May-84	-48
Jun-84	-58.7
Jul-84	-58.7
Aug-84	-61.9
Sep-84	-66.7
Oct-84	-62.4
Nov-84	-53.2
Dec-84	-44.3
Jan-85	-35.3
May-85	-40.4
Jun-85	-44.8

WATER CONSERVATION – SUMMARY – GROUND WATER

GROUND WATER FLUCTUATION:**Location : Coastal Plain, City of Long Beach****Ground Surface Elevation: 26.6 ft above MSL**

STATION	460K
	WS Elev.
Jul-85	-56
Aug-85	-59.9
Sep-85	-59.1
Oct-85	-48.8
Nov-85	-49.3
Dec-85	-42.9
Jan-86	-38.5
Mar-86	-38.7
Apr-86	-43.8
May-86	-44.1
Jun-86	-56.9
Jul-86	-54.3
Aug-86	-66.8
Sep-86	-58.1
Oct-86	-52.3
Nov-86	-43.6
Dec-86	-43.6
Jan-87	-45.6
Feb-87	-44.6
Apr-87	-45.4
May-87	-48.4
Jun-87	-41
Jul-87	-63.6
Aug-87	-50.4
Sep-87	-61.5
Oct-87	-62.7
Nov-87	-63.2
Dec-87	-47.7
Jan-88	-47.2
Feb-88	-49.7
Mar-88	-49
Apr-88	-56.5
May-88	-62.5
Jun-88	-62.5
Jul-88	-77
Aug-88	-77.5
Sep-88	-78.8
Oct-88	-73.1

WATER CONSERVATION – SUMMARY – GROUND WATER

GROUND WATER FLUCTUATION:**Location : Coastal Plain, City of Long Beach****Ground Surface Elevation: 26.6 ft above MSL**

STATION	460K
	WS Elev.
Nov-88	-73.1
Dec-88	-66.2
Jan-89	-55.1
Feb-89	-63.2
Mar-89	-71.9
Apr-89	-71
May-89	-77
Jun-89	-76.2
Jul-89	-78.7
Aug-89	-76
Sep-89	-87.8
Oct-89	-73.4
Nov-89	-54.2
Dec-89	-56.7
Jan-90	-49.2
Feb-90	-44.9
Mar-90	-45.1
Apr-90	-36
May-90	-55.9
Jun-90	-89.9
Jul-90	-97.2
Aug-90	-98.7
Sep-90	-99.5
Oct-90	-91.5
Nov-90	-48.3
Dec-90	-34.8
Jan-91	-33.3
Feb-91	-42.4
Mar-91	-46.1
Apr-91	-26
May-91	-78.3
Jun-91	-90.2
Jul-91	-80.4
Aug-91	-77.5
Sep-91	-63.4
Oct-91	-62.7
Nov-91	-63.4
Dec-91	-60.9

WATER CONSERVATION – SUMMARY – GROUND WATER

GROUND WATER FLUCTUATION:**Location : Coastal Plain, City of Long Beach****Ground Surface Elevation: 26.6 ft above MSL**

STATION	460K
	WS Elev.
Jan-92	-55.4
Feb-92	-50.6
Mar-92	-28.2
Apr-92	-46.7
May-92	-62.9
Sep-92	-73.5
Oct-92	-72
Nov-92	-78.8
Dec-92	-76.5
Jan-93	-70.4
Feb-93	-68.5
Mar-93	-65.9
Apr-93	-51.9
May-93	-37.9
Jun-93	-27.6
Jul-93	-21.2
Aug-93	-19.2
Sep-93	-19.9
Oct-93	-17.4
Nov-93	-19.4
Dec-93	-13.9
Jan-94	-10.9
Feb-94	-16.7
Mar-94	-9.4
Apr-94	-5.8
May-94	-22.6
Jun-94	-48.4
Jul-94	-54.7
Aug-94	-55.6
Sep-94	-64.2
Oct-94	-35.9
Nov-94	-27.4
Dec-94	-25.3
Jan-95	-20.9
Feb-95	-35.3
Mar-95	-26.7
Apr-95	-32.2
May-95	-18.8

WATER CONSERVATION – SUMMARY – GROUND WATER

GROUND WATER FLUCTUATION:**Location : Coastal Plain, City of Long Beach****Ground Surface Elevation: 26.6 ft above MSL**

STATION	460K
	WS Elev.
Jun-95	-42.8
Jul-95	-57.2
Aug-95	-50.2
Sep-95	-62.5
Oct-95	-31.6
Nov-95	-19.4
Dec-95	-25.4
Jan-96	-18.6
Feb-96	-10.3
Mar-96	-11.6
Apr-96	-5.8
May-96	-37.4
Jun-96	-51.8
Jul-96	-62.6
Aug-96	-64.8
Sep-96	-78.9
Oct-96	-70.4
Nov-96	-70.4
Dec-96	-70.4
Jan-97	-8.1
Feb-97	-6.4
Mar-97	-7.8
Apr-97	-44.4
May-97	-74.4
Jun-97	-93.2
Jul-97	-98.8
Aug-97	-101.2
Sep-97	-103.4
Oct-97	-57.1
Nov-97	-45.2
Dec-97	-29.1
Jan-98	-20.2
Feb-98	-24.4
Mar-98	-11.8
Apr-98	-8.1
May-98	-58.5
Jun-98	-86.1
Jul-98	-95.6

WATER CONSERVATION – SUMMARY – GROUND WATER

GROUND WATER FLUCTUATION:**Location : Coastal Plain, City of Long Beach****Ground Surface Elevation: 26.6 ft above MSL**

STATION	460K
	WS Elev.
Aug-98	-111.5
Sep-98	-113.3
Oct-98	-61.3
Nov-98	-42.2
Dec-98	-21.8
Jan-99	-22.9
Feb-99	-32.2
Mar-99	-14.5
Apr-99	-15.4
May-99	-70.4
Jun-99	-88.4
Jul-99	-96.4
Sep-99	-107.4
Oct-99	-48.9
Nov-99	-35.9
Jan-00	-29.3
Feb-00	-28
Mar-00	-19.9
Apr-00	-25
May-00	-81.2
Jun-00	-97.9
Jul-00	-102.7
Aug-00	-109
Sep-00	-109.4
Oct-00	-63.6
Nov-00	-45.2
Dec-00	-41.6
01-Jan	-38.4
01-Feb	-31.9
01-Mar	-30.3
01-Apr	-22.8
01-May	-85.2
01-Jun	-98.5
01-Jul	-104.9
01-Aug	-107.9
01-Sep	-110.3
01-Oct	-70.4
01-Nov	-48.4

WATER CONSERVATION – SUMMARY – GROUND WATER

GROUND WATER FLUCTUATION:

Location : Coastal Plain, City of Long Beach

Ground Surface Elevation: 26.6 ft above MSL

STATION	460K
	WS Elev.
02-Jan	-40.8
02-Feb	-44.1
02-Mar	-27.2
02-Apr	-22
02-May	-90
02-Jun	-120.5
02-Jul	-107.4
02-Aug	-108.2
02-Sep	-109.9

WATER CONSERVATION – SUMMARY – GROUND WATER

GROUND WATER FLUCTUATION:

Location: Coastal Plain

Ground Surface Elevation: 50.0 ft above MSL

STATION	1346D	1366C	760C
	WS Elev.	WS Elev.	WS Elev.
Feb-57	-83.3		
Mar-57	-92.3		
Apr-57	-92.3		
Aug-57	-85.3		
Sep-57	-89.3		
Oct-57	-92.3		
Nov-57	-91.3		
Dec-57	-89.3		
Jan-58	-89.3		
Feb-58	-88.3		
Mar-58	-88.3		
Apr-58	-87.3		
May-58	-86.3		
Jun-58	-87.3		
Jul-58	-87.3		
Aug-58	-88.3		
Sep-58	-88.3		
Oct-58	-88.3		
Nov-58	-89.3		
Dec-58	-89.3		
Jan-59	-89.3		
Feb-59	-89.3		
Mar-59	-77.3		
Apr-59	-75.3		
May-59	-86.3		
Jun-59	-89.3		
Jul-59	-93.3		
Aug-59	-96.3		
Sep-59	-90.3		
Oct-59	-87.3		
Nov-59	-88.3		
Dec-59	-91.3		
Jan-60	-81.3		
Feb-60	-74.3		
Mar-60	-71.3		
Apr-60	-71.3		
May-60	-83.3		
Jun-60	-93.3		

WATER CONSERVATION – SUMMARY – GROUND WATER

GROUND WATER FLUCTUATION:

Location: Coastal Plain

Ground Surface Elevation: 50.0 ft above MSL

STATION	1346D	1366C	760C
	WS Elev.	WS Elev.	WS Elev.
Jul-60	-95.3		
Aug-60	-94.3		
Sep-60	-91.3		
Oct-60	-88.3		
Nov-60	-87.3		
Dec-60	-82.3		
Jan-61	-74.3		
Feb-61	-75.3		
Mar-61	-72.3		
Apr-61	-72.3		
May-61	-81.3		
Jun-61	-61.8		
Jul-61	-62.3		
Aug-61	-82.3		
Sep-61	-86.3		
Oct-61	-87.3		
Nov-61	-88.3		
Dec-61	-88.3		
Jan-62	-73.3		
Feb-62	-73.3		
Mar-62	-69.3		
Apr-62	-69.3		
May-62	-76.1		
Jun-62	-80.3		
Jul-62	-80.9		
Aug-62	-84.7		
Sep-62	-88		
Oct-62	-87.7		
Nov-62	-87.7		
Dec-62	-88.3		
Feb-63	-78.1		
Mar-63	-77.3		
Apr-63	-77.2		
May-63	-78.7		
Jun-63	-83.1		
Jul-63	-81.6		
Aug-63	-82		
Sep-63	-80.6		

WATER CONSERVATION – SUMMARY – GROUND WATER

GROUND WATER FLUCTUATION:

Location: Coastal Plain

Ground Surface Elevation: 50.0 ft above MSL

STATION	1346D	1366C	760C
	WS Elev.	WS Elev.	WS Elev.
Oct-63	-80.7		
Nov-63	-80.3		
Dec-63	-81.3		
Jan-64	-78.8		-54
Feb-64	-77.5		-58
Mar-64	-78.4		-55
Apr-64	-80.4		-54
May-64	-84.8		-64
Jun-64	-89.4		-64
Jul-64	-93.1		-59
Aug-64	-90		-61
Sep-64	-88.5		-59
Oct-64	-87.6		-64
Nov-64	-91.2		-60.7
Dec-64	-77.6		-54
Jan-65	-80.2		-66
Feb-65	-73.3		-57.2
Mar-65	-73		-54
Apr-65	-73.2		-52.2
May-65	-76.5		-57
Jun-65	-80		-55
Jul-65	-83.5		-53
Aug-65	-89.8		-62
Sep-65	-91.1		-58
Oct-65	-86.1		-60
Nov-65	-87.1		-57
Dec-65	-77.1		-50.2
Jan-66	-77.7		-50
Feb-66	-79.2		-53
Mar-66	-79.1		-52
Apr-66	-80.9		-51
May-66	-90.1		-50
Jun-66	-91		-55
Jul-66	-94.6		-57
Aug-66	-88.7		-53
Sep-66	-85.3		-53
Oct-66	-88		-57
Nov-66	-80.6		-49

WATER CONSERVATION – SUMMARY – GROUND WATER

GROUND WATER FLUCTUATION:

Location: Coastal Plain

Ground Surface Elevation: 50.0 ft above MSL

STATION	1346D	1366C	760C
	WS Elev.	WS Elev.	WS Elev.
Dec-66	-75.9		-50
Jan-67	-74.2		-48
Feb-67	-72.2		-50
Mar-67	-72.9		-45.7
Apr-67	-70.8		-48
May-67	-73.2		-49
Jun-67	-82		-62
Jul-67	-85.9		-63
Aug-67	-87.9		-51.2
Sep-67	-88.4		-48
Oct-67	-88.3		-47.2
Nov-67	-84.9		-47.2
Dec-67	-81.1		-48.2
Jan-68	-76		-49
Feb-68	-73		-49
Mar-68	-71.2		-46
Apr-68	-73.8		-45.2
May-68	-73.9		-45
Jun-68	-80.6		-45
Jul-68	-83		-44
Aug-68	-83.7		-45
Sep-68	-83.1		-45
Oct-68	-75.9		-41.7
Nov-68	-74		-42.2
Dec-68	-73.2		-43.2
Jan-69	-71.9		-44
Feb-69	-74.9		-44
Mar-69	-68.7		-44
Apr-69	-71.5		-40
May-69	-69.8		-45
Jun-69	-72.4		-49
Jul-69	-76.2		-50
Aug-69	-82.6		-50
Sep-69	-83.7		-52
Oct-69	-87.3		-43
Nov-69	-82		-43
Dec-69	-73.5		-43
Jan-70	-68.3		-42

WATER CONSERVATION – SUMMARY – GROUND WATER

GROUND WATER FLUCTUATION:

Location: Coastal Plain

Ground Surface Elevation: 50.0 ft above MSL

STATION	1346D	1366C	760C
	WS Elev.	WS Elev.	WS Elev.
Feb-70	-71.1		-39
Mar-70	-69		-38.2
Apr-70	-74.8		-39.3
May-70	-74.8		-42
Jun-70	-78.5		-40
Jul-70	-86		-40
Aug-70	-83.1		-41
Sep-70	-83.2		-44
Oct-70	-84.5		-43
Nov-70	-84		-41.2
Dec-70	-81		-41.2
Jan-71	-81.7		-43.2
Feb-71	-82.2		-38.2
Mar-71	-80.8		-42.2
Apr-71	-81.8		-36.2
May-71	-80		-37.2
Jun-71	-78.9		-44.2
Jul-71	-80		
Aug-71	-81.3		
Sep-71	-80.2		
Oct-71	-79.6		-42.2
Nov-71	-78.4		-40.2
Dec-71	-77.6		
Jan-72	-77.2		
Feb-72	-75.6		-41.2
Mar-72	-70.6		-41.2
Apr-72	-73.5		-40.2
May-72	-76.4		-38.2
Jun-72	-73.2		-37.2
Jul-72	-72.3		-38.2
Aug-72	-72.7		-39.2
Sep-72	-76		-39.2
Oct-72	-78.4		
Nov-72	-78		
Dec-72	-74.7		
Jan-73	-76.3		-40.2
Feb-73	-75.4		-38.2
Mar-73	-74.2		-37.2

WATER CONSERVATION – SUMMARY – GROUND WATER

GROUND WATER FLUCTUATION:

Location: Coastal Plain

Ground Surface Elevation: 50.0 ft above MSL

STATION	1346D	1366C	760C
	WS Elev.	WS Elev.	WS Elev.
Apr-73	-70.7		-37.2
May-73	-71		
Jun-73	-68.5		
Jul-73	-69.4		
Aug-73	-70.4		-37.2
Sep-73	-69.9		
Oct-73	-68.9		-37.2
Dec-73	-60.9		
Jan-74	-60		
Feb-74	-58.2		-33.2
Mar-74	-57.7		-38.2
Apr-74	-57.2		-37.2
May-74	-56.9		-37.2
Jun-74	-59.2		-34.2
Jul-74	-61.4		-35.2
Aug-74	-63.9		-35.2
Sep-74	-70		-34.2
Oct-74	-62.1		-33.2
Nov-74	-69		-33.2
Dec-74	-63		-35.2
Jan-75	-63		-36.2
Feb-75	-61		-36.2
Mar-75	-59		-36.2
Apr-75	-58		-38.2
May-75	-52.5		
Jun-75	-53.9		-39.2
Jul-75	-58		-39.2
Aug-75	-62		-36.2
Sep-75	-63		-39.2
Oct-75	-62		-36.2
Nov-75	-57.5		-35.2
Dec-75	-62		-35.2
Jan-76	-62		-35.2
Feb-76	-62		-37.2
Mar-76	-63		-38.2
Apr-76	-62		-42.2
May-76	-59		-37.2
Jun-76	-62		-37.2

WATER CONSERVATION – SUMMARY – GROUND WATER

GROUND WATER FLUCTUATION:

Location: Coastal Plain

Ground Surface Elevation: 50.0 ft above MSL

STATION	1346D	1366C	760C
	WS Elev.	WS Elev.	WS Elev.
Jul-76	-61		-37.2
Aug-76	-63		-37.2
Sep-76	-63		-37.2
Oct-76	-62		-35.2
Nov-76	-53.4		-36.1
Dec-76	-62		-33.2
Jan-77	-60		-32.2
Feb-77	-61		-32.2
Mar-77	-49		-32.2
Apr-77	-60		-32.2
May-77	-55		-34.2
Jun-77	-56		-34.2
Jul-77	-58		-37.2
Aug-77	-62		-37.2
Sep-77	-62		-37.2
Oct-77	-54.1		-35.4
Nov-77	-51.2		
Dec-77	-53.5		
Jan-78	-51.5		
Feb-78	-57.8		
Mar-78	-69.7		
Apr-78	-58.4		-32.2
May-78	-71.6		
Jun-78	-82.1		
Oct-78	-98.7		-33.2
Jan-79	-91.3		
Feb-79	-97.3		
Mar-79	-99.3		
Apr-79	-80.7		
May-79	-99.3		
Jun-79	-79.3		
Jul-79	-76.3		
Aug-79	-81.3		-43
Sep-79	-83.3		-40
Oct-79	-97.3		-36
Nov-79	-104		-36
Dec-79			-37
Jan-80			-34

WATER CONSERVATION – SUMMARY – GROUND WATER

GROUND WATER FLUCTUATION:

Location: Coastal Plain

Ground Surface Elevation: 50.0 ft above MSL

STATION	1346D	1366C	760C
	WS Elev.	WS Elev.	WS Elev.
Feb-80			-34
Mar-80			-34
Apr-80	-78.3		-42.2
May-80	-79.3		-34
Jun-80	-79.3		-34
Jul-80	-79.3		-37
Aug-80	-91.3		-37
Sep-80	-89.3		-37
Oct-80	-93.3		-38
Nov-80	-92.3		-38
Dec-80	-89.3		-38
Jan-81	-77.3		-35
Feb-81	-73.3		-34
Mar-81	-79.3		-34
Apr-81	-79.3		-33.2
May-81	-81.3		-34
Jun-81	-79.3		
Jul-81	-78.3		-28
Aug-81	-77.3		-30
Sep-81	-79.3		-32
Oct-81	-87.3		-31.2
Nov-81	-91.3		-34
Dec-81	-93.3		-34
Jan-82	-97.3		-34
Feb-82	-96.3		-34
Mar-82	-95.3		-35
Apr-82	-97.3		-34.2
May-82	-97.3		-38
Jun-82	-98.3		
Jul-82	-101		-37
Aug-82	-87.3		-37
Sep-82	-83.3		-37
Oct-82	-83.3		-35.2
Nov-82	-90.3		-38
Dec-82	-85.3		-38
Jan-83	-80.3		-37
Feb-83	-87.3		-38
Mar-83	-90.3		-38

WATER CONSERVATION – SUMMARY – GROUND WATER

GROUND WATER FLUCTUATION:

Location: Coastal Plain

Ground Surface Elevation: 50.0 ft above MSL

STATION	1346D	1366C	760C
	WS Elev.	WS Elev.	WS Elev.
Apr-83	-85.3		-37
May-83	-83.3		-36.2
Jun-83	-91.3		-30.2
Jul-83	-89.3		-39.2
Aug-83	-91.3		
Sep-83	-83.3		
Oct-83	-91.3		-37.2
Nov-83	-89.3		-36.2
Dec-83	-79.3		-27.2
Jan-84	-68.3		-30.2
Feb-84	-63.3		-30.2
Mar-84	-73.3		
Apr-84	-79.3		-27.2
May-84	-83.3		-29.2
Jun-84	-83.3		-29.2
Jul-84	-85.3		
Aug-84	-89.3		-32.2
Sep-84	-83.3		-31.2
Oct-84	-85.3		-31.2
Nov-84	-85.3		
Dec-84	-80.3		-30.2
Jan-85	-83.3		-31.2
Feb-85	-63.3		
Mar-85	-67.3		-31.2
Apr-85	-69.3		-31.2
May-85	-69.3		-31.2
Jun-85	-71.3		-27.2
Jul-85	-69.3		-26.2
Aug-85	-67.3		-22.2
Sep-85	-69.3		-24.2
Oct-85	-71.3		-24.2
Nov-85	-75.3		-33
Dec-85	-79.3		-34
Jan-86	-77.3		-24
Feb-86	-75.3		-22.5
Mar-86	-76.3		-23
Apr-86	-77.3		-25
May-86	-77.3		-26

WATER CONSERVATION – SUMMARY – GROUND WATER

GROUND WATER FLUCTUATION:

Location: Coastal Plain

Ground Surface Elevation: 50.0 ft above MSL

STATION	1346D	1366C	760C
	WS Elev.	WS Elev.	WS Elev.
Jun-86	-89.3		-24
Jul-86	-95.3		-31
Aug-86	-90.3		-32
Sep-86	-90.3		-31
Oct-86	-88.3		-29
Nov-86	-87.3		-36
Dec-86	-75.3		-27
Jan-87	-66.3		-25
Apr-87	-65.3		
May-87	-72.3		
Jun-87	-76.3		
Jul-87	-79.3		
Aug-87	-78.3		
Sep-87	-76.3		
Oct-87	-69.3		
Nov-87	-68.3		-25.6
Dec-87	-68.3		-27
Jan-88	-65.8		-25.8
Feb-88	-66.1		-24.3
Mar-88	-59.1		
Apr-88	-57.6		-23.3
May-88	-55.3		-16.6
Jun-88	-52.3		-26.3
Jul-88	-52.3		-25
Aug-88	-51.3		-26.8
Sep-88	-51.3		-28
Oct-88	-52.4		-25
Nov-88	-51.3		-25
Dec-88	-49.3		-24
Jan-89	-52.3		-19
Feb-89			-23
Mar-89	-60.1		-24.8
Apr-89	-63.8		-26.3
May-89	-70.6		-25
Jun-89	-71.3		-24
Jul-89	-69.3		-30
Aug-89	-66.8		-24
Sep-89	-66.8		-24

WATER CONSERVATION – SUMMARY – GROUND WATER

GROUND WATER FLUCTUATION:

Location: Coastal Plain

Ground Surface Elevation: 50.0 ft above MSL

STATION	1346D	1366C	760C
	WS Elev.	WS Elev.	WS Elev.
Oct-89	-60.4		-24
Nov-89	-62.3		-27.2
Dec-89	-62.3		-24
Jan-90	-62.3		-22.2
Feb-90	-62.3		-23.2
Mar-90	-60.3		-23.2
Apr-90	-62.4		-26.2
May-90	-61.3		-23.2
Jun-90	-61.3		-24.2
Jul-90	-61.3		-21.2
Aug-90	-61.3		-24.2
Sep-90	-61.3		-26.2
Oct-90	-61.3		-24.2
Nov-90	-61.3		-23.2
Dec-90	-61.3		-21.2
Jan-91	-66.3		-17.2
Feb-91	-52.3		-17.2
Mar-91	-56.6		-24.2
Apr-91	-58.3		-23.2
May-91	-63.3		-24.2
Jun-91	-67.3		-25.2
Jul-91	-68.6		-28.2
Aug-91	-72.3		-28.2
Sep-91	-79.3	-61.7	-24.2
Oct-91	-80.3	-55.7	-25.2
Nov-91	-80.8		-26.2
Dec-91			-28.2
Jan-92			-25.2
Feb-92	-68.3		-25.2
Mar-92	-80.3		-28.2
Apr-92	-86.8	-54.7	-27.2
May-92			-28.2
Jun-92			-26.2
Jul-92			-28.2
Aug-92			-28.2
Sep-92			-30.2
Oct-92		-41.7	-31.2
Nov-92			-22.2

WATER CONSERVATION – SUMMARY – GROUND WATER

GROUND WATER FLUCTUATION:

Location: Coastal Plain

Ground Surface Elevation: 50.0 ft above MSL

STATION	1346D	1366C	760C
	WS Elev.	WS Elev.	WS Elev.
Dec-92			-25.2
Jan-93			-23.2
Feb-93			-22.2
Mar-93			-25.2
Apr-93		-55.7	-25.2
May-93			-26.2
Jun-93		-96.2	-27.2
Jul-93			-30.2
Aug-93		-47.7	-25.2
Sep-93		-73.7	-23.2
Oct-93		-42	-25.2
Nov-93		-53.2	-16.2
Dec-93		-46	-17.2
Jan-94		-33.2	-14.2
Feb-94		-34.7	-17.2
Mar-94		-36.7	-16.2
Apr-94		-51.7	-18.2
May-94		-43.7	-21
Jun-94			-23.2
Jul-94		-57.7	-26.2
Aug-94		-58.7	-25.2
Sep-94		-27.7	-18.2
Oct-94		-44.7	-18.2
Nov-94			-18.2
Dec-94			-17.2
Jan-95			-17.2
Apr-95			-18.2
May-95			-19.2
Jun-95			-24.2
Jul-95			-23.2
Aug-95			-23.2
Oct-95			-16.7
Apr-96			-24.2
Apr-97			-22.2
Oct-97			-18.2
Mar-98			-20.2
Jul-98			-22.2
Oct-98			-24.2

WATER CONSERVATION – SUMMARY – GROUND WATER

GROUND WATER FLUCTUATION:

Location: Coastal Plain

Ground Surface Elevation: 50.0 ft above MSL

STATION	1346D	1366C	760C
	WS Elev.	WS Elev.	WS Elev.
Nov-98			-23.2
Jan-99			-21.2
Apr-99			-24.2
May-99			-23.2
Aug-99			-27.2
Nov-99			-25.2
May-00			-28.2
Nov-00			-32
01-Mar			-34.2
01-Oct			-128.2
02-Apr			-68.2

WATER CONSERVATION – SUMMARY – GROUND WATER
--

GROUND WATER FLUCTUATION:

Location: Coastal Plain, City of Long Beach

Ground Surface Elevation: 88.8 ft above MSL

STATION	906D
	WS Elev.
Jan-51	-42.1
Feb-51	-40.4
Mar-51	-41.7
Apr-51	-46.7
May-51	-48.5
Jun-51	-52
Jul-51	-59
Aug-51	-66.2
Sep-51	-70.4
Oct-51	-70.4
Nov-51	-69.6
Dec-51	-65.5
Jan-52	-59.2
Feb-52	-56.2
Mar-52	-54.1
Apr-52	-52.1
May-52	-49.2
Jun-52	-49.5
Jul-52	-53.5
Aug-52	-63.2
Sep-52	-68
Oct-52	-70.6
Nov-52	-70.1
Dec-52	-63.5
Jan-53	-51.2
Feb-53	-45.4
Mar-53	-47.6
Apr-53	-52.6
May-53	-50.6
Jun-53	-65.3
Jul-53	-73.1
Aug-53	-79.4
Sep-53	-81.8
Oct-53	-81.3
Nov-53	-76.5
Dec-53	-72.9
Jan-54	-67.7

WATER CONSERVATION – SUMMARY – GROUND WATER
--

GROUND WATER FLUCTUATION:

Location: Coastal Plain, City of Long Beach

Ground Surface Elevation: 88.8 ft above MSL

STATION	906D
	WS Elev.
Feb-54	-63
Mar-54	-56.9
Apr-54	-53.8
May-54	-53.3
Jun-54	-58.9
Jul-54	-65.4
Aug-54	-76.1
Sep-54	-82.6
Oct-54	-83.8
Nov-54	-80.5
Dec-54	-73.3
Jan-55	-66.1
Feb-55	-62.2
Mar-55	-60.7
Apr-55	-59.4
May-55	-61.5
Jun-55	-64.2
Jul-55	-69.2
Aug-55	-75.8
Sep-55	-82
Oct-55	-85.6
Nov-55	-83.8
Dec-55	-79.9
Jan-56	-69
Feb-56	-66.7
Mar-56	-66.7
Apr-56	-72.5
May-56	-74.3
Jun-56	-100
Jul-56	-87.6
Aug-56	-92.1
Sep-56	-98.8
Oct-56	-101.5
Nov-56	-102.5
Dec-56	-103
Jan-57	-99.9
Feb-57	-89.7

WATER CONSERVATION – SUMMARY – GROUND WATER
--

GROUND WATER FLUCTUATION:

Location: Coastal Plain, City of Long Beach

Ground Surface Elevation: 88.8 ft above MSL

STATION	906D
	WS Elev.
Mar-57	-80.8
Apr-57	-75
May-57	-83.5
Jun-57	-84.7
Jul-57	-96.7
Aug-57	-103
Sep-57	-106.7
Oct-57	-107.6
Nov-57	-101.2
Dec-57	-97
Jan-58	-90.2
Feb-58	-87.7
Mar-58	-82.9
Apr-58	-77.5
May-58	-81.5
Jun-58	-87.6
Jul-58	-94.8
Aug-58	-98.3
Sep-58	-98.7
Oct-58	-100
Nov-58	-98.2
Dec-58	-93.1
Jan-59	-89
Feb-59	-83.3
Mar-59	-85.4
Apr-59	-86.1
May-59	-86.6
Jun-59	-89.2
Jul-59	-92.7
Aug-59	-97.4
Sep-59	-101
Oct-59	-104.4
Nov-59	-104.5
Dec-59	-104.8
Jan-60	-101.4
Feb-60	-96.8
Mar-60	-96.6

WATER CONSERVATION – SUMMARY – GROUND WATER
--

GROUND WATER FLUCTUATION:

Location: Coastal Plain, City of Long Beach

Ground Surface Elevation: 88.8 ft above MSL

STATION	906D
	WS Elev.
Apr-60	-95.2
May-60	-90.8
Jun-60	-87.6
Jul-60	-91.8
Aug-60	-104.2
Sep-60	-92.5
Oct-60	-106.9
Nov-60	-108
Dec-60	-99.4
Jan-61	-94.2
Feb-61	-90.8
Mar-61	-92.8
Apr-61	-94.9
May-61	-90.8
Jun-61	-111.3
Jul-61	-119.2
Aug-61	-125.6
Sep-61	-128.7
Oct-61	-124.9
Nov-61	-118.6
Dec-61	-109.5
Jan-62	-100.6
Feb-62	-94.3
Mar-62	-88.7
Apr-62	-87.6
May-62	-97.3
Jun-62	-103.5
Jul-62	-107.3
Aug-62	-116.6
Sep-62	-121.4
Oct-62	-117.4
Nov-62	-97.6
Dec-62	-83.7
Jan-63	-74.6
Feb-63	-68.6
Mar-63	-65.3
Apr-63	-62.9

WATER CONSERVATION – SUMMARY – GROUND WATER

GROUND WATER FLUCTUATION:

Location: Coastal Plain, City of Long Beach

Ground Surface Elevation: 88.8 ft above MSL

STATION	906D
	WS Elev.
May-63	-58
Jun-63	-60.6
Jul-63	-61.3
Aug-63	-79.2
Sep-63	-82.8
Oct-63	-74.4
Nov-63	-63.5
Dec-63	-57.3
Jan-64	-53.2
Feb-64	-51.3
Mar-64	-47.1
Apr-64	-45.6
May-64	-45.8
Jun-64	-45.9
Jul-64	-54.1
Aug-64	-63.4
Sep-64	-78.1
Oct-64	-68.9
Nov-64	-56.9
Dec-64	-56.9
Jan-65	-52.2
Feb-65	-50.7
Mar-65	-49.7
Apr-65	-49.4
May-65	-48.3
Jun-65	-50.7
Jul-65	-54.9
Aug-65	-56.7
Sep-65	-62.5
Oct-65	-60.1
Nov-65	-61.2
Dec-65	-59.2
Jan-66	-53.3
Feb-66	-49.9
Mar-66	-42.6
Apr-66	-43.2
May-66	-46.8

WATER CONSERVATION – SUMMARY – GROUND WATER
--

GROUND WATER FLUCTUATION:

Location: Coastal Plain, City of Long Beach

Ground Surface Elevation: 88.8 ft above MSL

STATION	906D
	WS Elev.
Jun-66	-52.3
Jul-66	-59.2
Aug-66	-69.1
Sep-66	-69.4
Oct-66	-69.4
Nov-66	-60.2
Dec-66	-53.6
Jan-67	-49.3
Feb-67	-44.8
Mar-67	-42.3
Apr-67	-40.7
May-67	-38.4
Jun-67	-38.8
Jul-67	-40.6
Aug-67	-46.7
Sep-67	-56
Oct-67	-52
Nov-67	-50.7
Dec-67	-45.8
Jan-68	-34.3
Feb-68	-37
Mar-68	-40.8
Apr-68	-38.7
May-68	-42.3
Jun-68	-49.4
Jul-68	-53.1
Aug-68	-65.5
Sep-68	-71
Oct-68	-63.6
Nov-68	-60.1
Dec-68	-54.7
Jan-69	-49.6
Feb-69	-47.2
Mar-69	-43.8
Apr-69	-34.9
May-69	-42.3
Jun-69	-48.9

WATER CONSERVATION – SUMMARY – GROUND WATER
--

GROUND WATER FLUCTUATION:

Location: Coastal Plain, City of Long Beach

Ground Surface Elevation: 88.8 ft above MSL

STATION	906D
	WS Elev.
Jul-69	-56.4
Aug-69	-66.1
Sep-69	-75.7
Oct-69	-74
Nov-69	-68.9
Dec-69	-65.1
Jan-70	-55.8
Feb-70	-39
Mar-70	-29.1
Apr-70	-26.9
May-70	-30.8
Jun-70	-33.1
Jul-70	-32
Aug-70	-34
Sep-70	-52.7
Oct-70	-57.6
Nov-70	-50.5
Dec-70	-41.9
Jan-71	-33.5
Feb-71	-31.6
Mar-71	-32.8
Apr-71	-36.1
May-71	-36.8
Jun-71	-39.6
Jul-71	-46.8
Aug-71	-55.6
Sep-71	-63.8
Oct-71	-62.7
Nov-71	-60.8
Dec-71	-53.3
Jan-72	-48.9
Feb-72	-36
Mar-72	-30.5
Apr-72	-31.8
May-72	-32.3
Jun-72	-40.4
Jul-72	-47.8

WATER CONSERVATION – SUMMARY – GROUND WATER
--

GROUND WATER FLUCTUATION:

Location: Coastal Plain, City of Long Beach

Ground Surface Elevation: 88.8 ft above MSL

STATION	906D
	WS Elev.
Aug-72	-59.9
Sep-72	-68.2
Oct-72	-66.9
Nov-72	-59.2
Dec-72	-47.7
Jan-73	-41.9
Feb-73	-36.4
Mar-73	-30.5
Apr-73	-28.3
May-73	-32.7
Jun-73	-44.6
Jul-73	-55.5
Aug-73	-59.5
Sep-73	-63.7
Oct-73	-62.7
Nov-73	-60.6
Dec-73	-54.7
Jan-74	-49
Feb-74	-44.4
Mar-74	-43
Apr-74	-40.7
May-74	-43.6
Jun-74	-47.3
Jul-74	-50.2
Aug-74	-55
Sep-74	-57.5
Oct-74	-59.7
Nov-74	-59.3
Dec-74	-55.1
Jan-75	-48.1
Feb-75	-46
Mar-75	-41.9
Apr-75	-39.7
May-75	-36.4
Jun-75	-38.4
Jul-75	-44.4
Aug-75	-57.9

WATER CONSERVATION – SUMMARY – GROUND WATER
--

GROUND WATER FLUCTUATION:

Location: Coastal Plain, City of Long Beach

Ground Surface Elevation: 88.8 ft above MSL

STATION	906D
	WS Elev.
Sep-75	-63.5
Oct-75	-66.6
Nov-75	-67.4
Dec-75	-65
Jan-76	-62.9
Feb-76	-64.2
Mar-76	-61.5
Apr-76	-60.7
May-76	-61.3
Jun-76	-65.1
Jul-76	-75.7
Aug-76	-77.5
Sep-76	-81.6
Oct-76	-80.4
Nov-76	-83.2
Dec-76	-82.8
Jan-77	-80.4
Feb-77	-74.5
Mar-77	-71.4
Apr-77	-72.7
May-77	-77.8
Jun-77	-71.3
Jul-77	-79.6
Aug-77	-90.3
Sep-77	-89.9
Oct-77	-90.7
Nov-77	-88.6
Dec-77	-79.4
Jan-78	-81.1
Feb-78	-71.5
Mar-78	-64.2
Apr-78	-57
May-78	-57.3
Jun-78	-63
Jul-78	-70.4
Aug-78	-81.7
Sep-78	-88.8

WATER CONSERVATION – SUMMARY – GROUND WATER
--

GROUND WATER FLUCTUATION:

Location: Coastal Plain, City of Long Beach

Ground Surface Elevation: 88.8 ft above MSL

STATION	906D
	WS Elev.
Oct-78	-91.7
Nov-78	-83.4
Dec-78	-77.3
Jan-79	-68.1
Feb-79	-59.2
Mar-79	-53.2
Apr-79	-48.5
May-79	-51.3
Jun-79	-57.3
Jul-79	-71.2
Aug-79	-81.8
Sep-79	-89.4
Oct-79	-88.3
Nov-79	-86.8
Dec-79	-88.3
Jan-80	-77.1
Feb-80	-66.9
Mar-80	-60.4
Apr-80	-58.1
May-80	-56.1
Jun-80	-59.4
Jul-80	-71.9
Aug-80	-81.1
Sep-80	-87.8
Oct-80	-89.4
Nov-80	-90.2
Dec-80	-89.8
Jan-81	-79.5
Feb-81	-58.6
Mar-81	-51.1
Apr-81	-51.3
May-81	-50.1
Jun-81	-54.4
Jul-81	-61.5
Aug-81	-67.4
Sep-81	-80.6
Oct-81	-77.6

WATER CONSERVATION – SUMMARY – GROUND WATER
--

GROUND WATER FLUCTUATION:

Location: Coastal Plain, City of Long Beach

Ground Surface Elevation: 88.8 ft above MSL

STATION	906D
	WS Elev.
Nov-81	-73.4
Dec-81	-64.9
Jan-82	-63.2
Feb-82	-45.5
Mar-82	-45.5
Apr-82	-45.6
May-82	-47.2
Jun-82	-48
Jul-82	-59.3
Aug-82	-73.6
Sep-82	-76.3
Oct-82	-75.3
Dec-82	-60.8
Jan-83	-52.7
Feb-83	-51.2
Mar-83	-43.8
Apr-83	-45.9
May-83	-44.9
Jun-83	-53.9
Jul-83	-53.9
Aug-83	-59.3
Sep-83	-48.3
Oct-83	-48.5
Nov-83	-35.8
Dec-83	-25.7
Jan-84	-9.8
Feb-84	-16.2
Mar-84	-10.9
Apr-84	-22.8
May-84	-28.3
Jun-84	-39.5
Jul-84	-48.2
Aug-84	-50.8
Sep-84	-55
Oct-84	-54.5
Nov-84	-50.9
Dec-84	-42.6

WATER CONSERVATION – SUMMARY – GROUND WATER
--

GROUND WATER FLUCTUATION:

Location: Coastal Plain, City of Long Beach

Ground Surface Elevation: 88.8 ft above MSL

STATION	906D
	WS Elev.
Jan-85	-32.8
May-85	-34.2
Jun-85	-39.6
Jul-85	-45.5
Aug-85	-48.8
Sep-85	-47.7
Oct-85	-47.2
Nov-85	-46.3
Dec-85	-43.2
Jan-86	-30.4
Mar-86	-27.7
Apr-86	-35.7
May-86	-37.6
Jun-86	-40.2
Jul-86	-46
Aug-86	-50.5
Sep-86	-54.8
Oct-86	-51.2
Nov-86	-49.2
Dec-86	-48.5
Jan-87	-45.5
Feb-87	-40.1
Mar-87	-34.8
Apr-87	-39.2
May-87	-41.1
Jun-87	-41.7
Jul-87	-43.5
Aug-87	-49.3
Sep-87	-52
Oct-87	-54.6
Nov-87	-52.6
Dec-87	-49.8
Jan-88	-41.6
Feb-88	-37.8
Mar-88	-38
Apr-88	-41.7
May-88	-45.4

WATER CONSERVATION – SUMMARY – GROUND WATER
--

GROUND WATER FLUCTUATION:

Location: Coastal Plain, City of Long Beach

Ground Surface Elevation: 88.8 ft above MSL

STATION	906D
	WS Elev.
Jun-88	-45.4
Jul-88	-53.6
Aug-88	-63.1
Sep-88	-63.8
Oct-88	-64
Nov-88	-64
Dec-88	-73.4
Jan-89	-57.4
Feb-89	-56.6
Mar-89	-59
Apr-89	-58.9
May-89	-61
Jun-89	-61
Jul-89	-71
Aug-89	-65
Sep-89	-67.5
Oct-89	-65
Nov-89	-52.9
Dec-89	-49
Jan-90	-47.1
Feb-90	-45.8
Mar-90	-47.4
Apr-90	-36.1
May-90	-35.9
Jun-90	-57.1
Jul-90	-65.7
Aug-90	-75.5
Sep-90	-71.3
Oct-90	-70.8
Nov-90	-55.9
Dec-90	-39.2
Jan-91	-29.2
Feb-91	-32.2
Mar-91	-32.1
Apr-91	-58.2
May-91	-30
Jun-91	-61.1

WATER CONSERVATION – SUMMARY – GROUND WATER
--

GROUND WATER FLUCTUATION:

Location: Coastal Plain, City of Long Beach

Ground Surface Elevation: 88.8 ft above MSL

STATION	906D
	WS Elev.
Jul-91	-65.3
Aug-91	-61.5
Oct-91	-61.5
Nov-91	-54.5
Dec-91	-49.6
Jan-92	-41.1
Feb-92	-43
Mar-92	-36.4
Apr-92	-34.8
May-92	-38.6
Jun-92	-48.4
Jul-92	-57.3
Aug-92	-60.8
Sep-92	-54
Oct-92	-51.5
Nov-92	-56.8
Dec-92	-59.2
Jan-93	-58.3
Feb-93	-58.2
Mar-93	-56.6
Apr-93	-30.4
May-93	-47
Jun-93	-34.6
Jul-93	-25.3
Aug-93	-17.7
Sep-93	-16.7
Oct-93	-14.8
Nov-93	-13.2
Dec-93	-8.7
Jan-94	-5.4
Feb-94	-8.5
Mar-94	-2
Apr-94	-0.5
Jun-94	-22.8
Jul-94	-37.7
Aug-94	-42.4
Sep-94	-48.1

WATER CONSERVATION – SUMMARY – GROUND WATER
--

GROUND WATER FLUCTUATION:

Location: Coastal Plain, City of Long Beach

Ground Surface Elevation: 88.8 ft above MSL

STATION	906D
	WS Elev.
Oct-94	-41.3
Nov-94	-26.5
Dec-94	-15.6
Jan-95	-13.2
Feb-95	-19.3
Mar-95	-21.2
Apr-95	-23.1
May-95	-27.3
Jun-95	-23.4
Jul-95	-30.2
Aug-95	-33
Sep-95	-35.9
Oct-95	-31.4
Nov-95	-19.5
Dec-95	-12.7
Jan-96	-8.9
Feb-96	-6.1
Mar-96	-0.7
Apr-96	8.2
May-96	-7.1
Jun-96	-19.7
Jul-96	-30.8
Aug-96	-41
Sep-96	-49
Oct-96	-38
Nov-96	-22.2
Dec-96	-48.2
Jan-97	-5.4
Feb-97	-1.4
Mar-97	3.2
Apr-97	-2.1
May-97	-33.2
Jun-97	-52
Jul-97	-66.2
Aug-97	-73.7
Sep-97	-80.7
Oct-97	-65.4

WATER CONSERVATION – SUMMARY – GROUND WATER
--

GROUND WATER FLUCTUATION:

Location: Coastal Plain, City of Long Beach

Ground Surface Elevation: 88.8 ft above MSL

STATION	906D
	WS Elev.
Nov-97	-53.5
Dec-97	-36.5
Jan-98	-28
Feb-98	-19.2
Mar-98	-11.4
Apr-98	-6.5
May-98	-15.2
Jun-98	-45.8
Jul-98	-56.5
Aug-98	-71
Sep-98	-74.6
Oct-98	-67.4
Nov-98	-50.7
Dec-98	-30.2
Feb-99	-17.2
Mar-99	-11.2
Apr-99	-7
May-99	-20.7
Jun-99	-43.2
Jul-99	-63.7
Sep-99	-80.8
Oct-99	-58.2
Nov-99	-43.5
Dec-99	-38.7
Jan-00	-30.3
Feb-00	-5.4
Mar-00	-16
Apr-00	-11.2
May-00	-29.4
Jun-00	-57
Jul-00	-67.2
Aug-00	-78.3
Sep-00	-86
Oct-00	-67.7
Nov-00	-54.7
Dec-00	-44.7
01-Jan	-36.1

WATER CONSERVATION – SUMMARY – GROUND WATER

GROUND WATER FLUCTUATION:

Location: Coastal Plain, City of Long Beach

Ground Surface Elevation: 88.8 ft above MSL

STATION	906D
	WS Elev.
01-Feb	-34.8
01-Mar	-29.2
01-Apr	-22.5
01-May	-42.2
01-Jun	-66.3
01-Jul	-71.8
01-Aug	-78.9
01-Sep	-84.8
01-Oct	-74
01-Nov	-52.2
02-Jan	-34.4
02-Feb	-33
02-Mar	-26.9
02-Apr	-21.1
02-May	-37.9
02-Jun	-40.7
02-Jul	-70.6
02-Aug	-73.2
02-Sep	-80

WATER CONSERVATION – SUMMARY – GROUND WATER

GROUND WATER FLUCTUATION:

Location: Central Basin

Ground Surface Elevation: 159.7 ft above MSL

STATION	1601T
	WS Elev.
Jul-64	91.8
Aug-64	89
Sep-64	80
Oct-64	75
Nov-64	75.5
Dec-64	84.3
Jan-65	109.2
Feb-65	102.8
Mar-65	105.4
Apr-65	110
May-65	109.6
Jun-65	115.2
Jul-65	114.3
Aug-65	110.4
Sep-65	102
Oct-65	98.5
Nov-65	101.6
Dec-65	104.4
Jan-66	109.2
Feb-66	114.3
Mar-66	116.9
Apr-66	118.1
May-66	120.8
Jun-66	120.8
Jul-66	118.7
Aug-66	112.2
Sep-66	109
Oct-66	112
Nov-66	115.8
Dec-66	115.7
Jan-67	120.9
Feb-67	120.4
Mar-67	120.4
Apr-67	120.4
May-67	123.9
Jun-67	124.3
Jul-67	119.1
Aug-67	112.4

WATER CONSERVATION – SUMMARY – GROUND WATER

GROUND WATER FLUCTUATION:

Location: Central Basin

Ground Surface Elevation: 159.7 ft above MSL

STATION	1601T
	WS Elev.
Sep-67	106.2
Oct-67	109.8
Nov-67	113.1
Dec-67	114.9
Jan-68	115.9
Feb-68	116.3
Mar-68	114.4
Apr-68	115.3
May-68	114.7
Jun-68	113.5
Jul-68	111.6
Aug-68	108.7
Sep-68	105.9
Oct-68	109.4
Nov-68	113
Dec-68	112
Jan-69	107.2
Feb-69	111
Mar-69	116
Apr-69	120.9
May-69	121.7
Jun-69	120.6
Jul-69	119.7
Aug-69	116.7
Sep-69	112.6
Oct-69	107.9
Nov-69	104.7
Dec-69	109.6
Jan-70	113.8
Feb-70	115.3
Mar-70	119.5
Apr-70	121.7
May-70	117.8
Jun-70	113.8
Jul-70	111.1
Aug-70	106.8
Sep-70	103.9
Oct-70	101.3

WATER CONSERVATION – SUMMARY – GROUND WATER

GROUND WATER FLUCTUATION:

Location: Central Basin

Ground Surface Elevation: 159.7 ft above MSL

STATION	1601T
	WS Elev.
Nov-70	106.9
Dec-70	112.5
Jan-71	117
Feb-71	115.9
Mar-71	117.3
Apr-71	117
May-71	113.3
Jun-71	110.7
Jul-71	107.4
Aug-71	106.2
Sep-71	102.6
Oct-71	100.6
Nov-71	100.8
Dec-71	103
Jan-72	107
Feb-72	109.5
Mar-72	105.8
Apr-72	98.7
May-72	94.6
Jun-72	90.1
Jul-72	86.2
Aug-72	80.3
Sep-72	76.3
Oct-72	73.2
Nov-72	71.1
Dec-72	75.8
Jan-73	83
Feb-73	88.7
Mar-73	97.9
Apr-73	103.1
May-73	101.9
Jun-73	104.1
Jul-73	105.5
Aug-73	106.4
Sep-73	107.1
Oct-73	103.7
Nov-73	104.4
Dec-73	106

WATER CONSERVATION – SUMMARY – GROUND WATER

GROUND WATER FLUCTUATION:

Location: Central Basin

Ground Surface Elevation: 159.7 ft above MSL

STATION	1601T
	WS Elev.
Jan-74	109.3
Feb-74	105.7
Mar-74	108.7
Apr-74	111.7
May-74	112.8
Jun-74	111.8
Jul-74	108.2
Aug-74	105.1
Sep-74	102.6
Oct-74	101.4
Nov-74	99.7
Dec-74	100
Jan-75	101.7
Feb-75	101.7
Mar-75	103.4
Apr-75	105.7
May-75	103.7
Jun-75	104.1
Jul-75	104.8
Aug-75	100.9
Sep-75	96.7
Oct-75	93.4
Nov-75	91.4
Dec-75	90.1
Jan-76	89.3
Feb-76	89.7
Mar-76	95.3
Apr-76	93
May-76	93.6
Jun-76	84.3
Jul-76	88.3
Aug-76	85.5
Sep-76	77.9
Oct-76	77.7
Nov-76	74.1
Dec-76	69.8
Jan-77	69.2
Feb-77	79.8

WATER CONSERVATION – SUMMARY – GROUND WATER

GROUND WATER FLUCTUATION:

Location: Central Basin

Ground Surface Elevation: 159.7 ft above MSL

STATION	1601T
	WS Elev.
Mar-77	89
Apr-77	87.6
May-77	81.7
Jun-77	80.2
Jul-77	74.9
Aug-77	70.2
Sep-77	67.1
Oct-77	64.5
Nov-77	61.7
Dec-77	59
Jan-78	65.2
Feb-78	81.7
Mar-78	91.8
Apr-78	96.8
May-78	101.5
Jun-78	103.4
Jul-78	101.2
Aug-78	101.4
Sep-78	101.1
Oct-78	102.8
Nov-78	104.6
Dec-78	107.8
Jan-79	111.4
Feb-79	114.4
Mar-79	115.3
Apr-79	116.4
May-79	113.5
Jun-79	114.5
Jul-79	111.4
Aug-79	112
Sep-79	113.1
Oct-79	113.7
Nov-79	112.7
Dec-79	114.1
Jan-80	113.4
Feb-80	117.4
Mar-80	119.9
Apr-80	123

WATER CONSERVATION – SUMMARY – GROUND WATER

GROUND WATER FLUCTUATION:

Location: Central Basin

Ground Surface Elevation: 159.7 ft above MSL

STATION	1601T
	WS Elev.
May-80	122.5
Jun-80	121.3
Jul-80	119
Aug-80	113.6
Sep-80	108.8
Oct-80	107
Nov-80	109
Dec-80	112
Jan-81	114.2
Feb-81	115.1
Mar-81	115.9
Apr-81	116.4
May-81	115.5
Jun-81	114.2
Jul-81	111.6
Aug-81	110.5
Sep-81	110.8
Oct-81	110.6
Nov-81	109
Dec-81	108.6
Jan-82	111.2
Feb-82	114.5
Mar-82	115.1
Apr-82	117.3
May-82	115
Jun-82	110.4
Jul-82	107.9
Aug-82	104.7
Sep-82	100.3
Oct-82	103.1
Nov-82	108.3
Dec-82	113.6
Jan-83	115.3
Feb-83	117
Mar-83	120.4
Apr-83	123.5
May-83	124.5
Jun-83	122.9

WATER CONSERVATION – SUMMARY – GROUND WATER

GROUND WATER FLUCTUATION:

Location: Central Basin

Ground Surface Elevation: 159.7 ft above MSL

STATION	1601T
	WS Elev.
Jul-83	122.4
Aug-83	122.5
Sep-83	117.6
Oct-83	116.1
Nov-83	121.1
Dec-83	122.7
Jan-84	123.7
Feb-84	120.5
Mar-84	116
Apr-84	117.6
May-84	120.9
Jun-84	121.6
Jul-84	120.2
Aug-84	114.2
Sep-84	109.4
Oct-84	104.5
Nov-84	99.8
Jan-85	113.4
Feb-85	113.4
May-85	119.3
Jun-85	119.2
Jul-85	117.8
Aug-85	110.2
Sep-85	104.6
Oct-85	99.5
Nov-85	95.9
Dec-85	97.6
Jan-86	98.1
Feb-86	101.7
Mar-86	111.2
Apr-86	115.9
May-86	117.8
Jun-86	119.2
Jul-86	113.7
Aug-86	105.8
Sep-86	102
Oct-86	100.8
Nov-86	98.6

WATER CONSERVATION – SUMMARY – GROUND WATER

GROUND WATER FLUCTUATION:

Location: Central Basin

Ground Surface Elevation: 159.7 ft above MSL

STATION	1601T
	WS Elev.
Dec-86	99.5
Jan-87	105.3
Feb-87	108.6
Mar-87	111
Apr-87	111.5
May-87	110.8
Jun-87	108.1
Jul-87	101.1
Aug-87	98.2
Sep-87	96.5
Oct-87	98.2
Nov-87	99.5
Dec-87	102.5
Jan-88	101.8
Feb-88	98.9
Mar-88	97.7
Apr-88	97.8
May-88	101.6
Jun-88	105.7
Jul-88	106.7
Aug-88	101.7
Sep-88	94.1
Oct-88	91.1
Nov-88	89
Dec-88	89.6
Jan-89	98.3
Feb-89	103.3
Mar-89	106.4
Apr-89	108.4
May-89	109.5
Jun-89	107.8
Jul-89	106.8
Aug-89	103.7
Sep-89	99.4
Oct-89	95.2
Nov-89	93.1
Dec-89	96.4
Jan-90	96.4

WATER CONSERVATION – SUMMARY – GROUND WATER

GROUND WATER FLUCTUATION:

Location: Central Basin

Ground Surface Elevation: 159.7 ft above MSL

STATION	1601T
	WS Elev.
Feb-90	100.2
Mar-90	106.6
Apr-90	110.4
May-90	113.9
Jun-90	113
Jul-90	112.7
Aug-90	107.7
Sep-90	103.8
Oct-90	104.5
Nov-90	105.2
Dec-90	104
Jan-91	102
Feb-91	107.2
Mar-91	106.1
Apr-91	120.8
May-91	113.8
Jun-91	110.5
Jul-91	107.1
Aug-91	107.2
Sep-91	109.1
Oct-91	111.4
Nov-91	115
Dec-91	115.6
Jan-92	116
Feb-92	115.7
Mar-92	119.7
Apr-92	121.1
May-92	118.7
Jun-92	115.7
Jul-92	116.8
Aug-92	118.6
Sep-92	114.8
Oct-92	111.7
Nov-92	115.7
Dec-92	116
Jan-93	121.1
Feb-93	125.3
Mar-93	125.3

WATER CONSERVATION – SUMMARY – GROUND WATER

GROUND WATER FLUCTUATION:

Location: Central Basin

Ground Surface Elevation: 159.7 ft above MSL

STATION	1601T
	WS Elev.
Apr-93	129.2
May-93	127.3
Jun-93	123.5
Jul-93	123.7
Aug-93	123
Sep-93	123
Oct-93	120.4
Nov-93	120.7
Dec-93	121.6
Jan-94	124.5
Feb-94	124.3
Mar-94	126.6
Apr-94	127
May-94	126
Jun-94	126.3
Jul-94	126
Aug-94	121.9
Sep-94	115.2
Oct-94	110
Nov-94	110.5
Dec-94	113.1
Jan-95	117
Feb-95	124.8
Mar-95	126.9
Apr-95	129.5
May-95	128.6
Jun-95	126.9
Jul-95	125.7
Aug-95	121.8
Sep-95	116.3
Oct-95	111.8
Nov-95	113
Dec-95	113.7
Jan-96	115.9
Feb-96	119.7
Mar-96	126.1
Apr-96	128.5
May-96	128

WATER CONSERVATION – SUMMARY – GROUND WATER

GROUND WATER FLUCTUATION:

Location: Central Basin

Ground Surface Elevation: 159.7 ft above MSL

STATION	1601T
	WS Elev.
Jun-96	124.4
Jul-96	125.9
Aug-96	123.2
Sep-96	119.7
Oct-96	119.2
Nov-96	116.7
Dec-96	117.9
Jan-97	117
Feb-97	129.8
Mar-97	127.9
Apr-97	125.5
May-97	127.1
Jun-97	125.2
Jul-97	124.8
Aug-97	123.1
Sep-97	118
Oct-97	115.7
Nov-97	112.7
Dec-97	113.2
Jan-98	117.5
Feb-98	122.6
Mar-98	127.2
Apr-98	129.2
May-98	129.1
Jun-98	127.3
Jul-98	126.1
Aug-98	123.3
Sep-98	119.2
Oct-98	116.8
Nov-98	115.7
Dec-98	116.5
Jan-99	114.4
Feb-99	117.7
Mar-99	117.6
Apr-99	120.1
May-99	117.3
Jun-99	115.4
Jul-99	109.4

WATER CONSERVATION – SUMMARY – GROUND WATER

GROUND WATER FLUCTUATION:

Location: Central Basin

Ground Surface Elevation: 159.7 ft above MSL

STATION	1601T
	WS Elev.
Aau-99	105.4
Sep-99	100.9
Oct-99	97.3
Nov-99	95.9
Dec-99	96.8
Jan-00	103.3
Feb-00	113.6
Mar-00	119.5
Apr-00	119.9
May-00	119.2
Jun-00	118
Jul-00	114
Aug-00	108.8
Oct-00	103.7
Nov-00	105.7
Dec-00	108.3
01-Jan	107.8
01-Feb	110.5
01-Mar	117
01-Apr	117.1
01-May	114.3
01-Jun	110.7
01-Jul	106.7
01-Aug	100.7
01-Sep	98.1
01-Oct	97.1
01-Nov	98
01-Dec	106
02-Jan	113.5
02-Feb	113
02-Mar	111.1
02-Apr	110
02-May	108.5
02-Jun	106.5
02-Jul	105.4
02-Aug	101.4
02-Sep	95.7

WATER CONSERVATION – SUMMARY – GROUND WATER

GROUND WATER FLUCTUATION:

Location : Main San Gabriel Basin

Ground Surface Elevation: 245.0 ft above MSL

STATION	2955X	2965C
	WS Elev.	WS Elev.
Jan-61	209.9	
Feb-61	210.5	
Mar-61	210.1	
Apr-61	210.5	
May-61	209.7	
Jun-61	208.5	
Jul-61	207.8	
Aug-61	204.9	
Sep-61	204.3	
Oct-61	205.2	
Nov-61	205.9	
Dec-61	206.1	
Jan-62	208	
Feb-62	208.5	
Mar-62	209.9	
Apr-62	210.7	
May-62	211.2	
Jun-62	210.3	
Jul-62	210	
Aug-62	209.1	
Sep-62	209.2	
Oct-62	209.5	
Nov-62	209.2	
Dec-62	209.3	
Jan-63	209.9	
Feb-63	209.8	
Mar-63	209.8	
Apr-63	209.9	
May-63	208.4	
Jun-63	207.5	
Jul-63	206.5	
Aug-63	203.4	
Sep-63	202.4	
Oct-63	201.8	
Nov-63	203.3	
Dec-63	204.3	
Jan-64	204.6	

WATER CONSERVATION – SUMMARY – GROUND WATER

GROUND WATER FLUCTUATION:**Location : Main San Gabriel Basin****Ground Surface Elevation: 245.0 ft above MSL**

STATION	2955X	2965C
	WS Elev.	WS Elev.
Feb-64	203.6	
Mar-64	202.9	
Apr-64	201.3	
Jul-64	199.8	
Aug-64	198.2	
Sep-64	195.9	
Oct-64	195.1	
Nov-64	197.4	
Dec-64	194.2	
Jan-65	199.1	
Feb-65	198.4	
Mar-65	199.1	
Apr-65	200.2	
May-65	200.3	
Jun-65	199.5	
Jul-65	199.4	
Aug-65	196.8	
Sep-65	195.1	
Oct-65	194	
Nov-65	194	
Dec-65	196.2	
Jan-66	202.1	
Feb-66	202.4	
Mar-66	205.4	
Apr-66	206.6	
May-66	207.3	
Jun-66	209.2	
Jul-66	206.4	
Aug-66	205.4	
Sep-66	204.6	
Oct-66	206.5	
Nov-66	206.3	
Dec-66	207.1	
Jan-67	208.5	
Feb-67	209.4	
Mar-67	210.2	
Apr-67	211.8	

WATER CONSERVATION – SUMMARY – GROUND WATER

GROUND WATER FLUCTUATION:**Location : Main San Gabriel Basin****Ground Surface Elevation: 245.0 ft above MSL**

STATION	2955X	2965C
	WS Elev.	WS Elev.
May-67	212.5	
Jun-67	213.6	
Jul-67	213.8	
Aug-67	213.9	
Sep-67	213.9	
Oct-67	213.8	
Nov-67	215.1	
Dec-67	215.6	
Jan-68	216.8	
Feb-68	217.8	
Mar-68	217.9	
Apr-68	217.8	
May-68	217.6	
Jun-68	217.4	
Jul-68	217.3	
Aug-68	216	
Sep-68	215.7	
Oct-68	215.4	
Nov-68	215.8	
Dec-68	215.3	
Jan-69	215.2	
Feb-69	217.6	
Mar-69	217.8	
Apr-69	218.8	
May-69	218.6	
Jun-69	218.9	
Jul-69	219.1	
Aug-69	218.9	
Sep-69	218	
Oct-69	218.3	
Nov-69	218.7	
Dec-69	218.5	
Jan-70	218.7	
Feb-70	218.5	
Mar-70	218.6	
Apr-70	218.3	
May-70	218	

WATER CONSERVATION – SUMMARY – GROUND WATER

GROUND WATER FLUCTUATION:**Location : Main San Gabriel Basin****Ground Surface Elevation: 245.0 ft above MSL**

STATION	2955X	2965C
	WS Elev.	WS Elev.
Jul-70	217.1	
Aug-70	215.5	
Sep-70	215	
Oct-70	213.8	
Nov-70	213.2	
Dec-70	213.7	
Jan-71	213.9	
Feb-71	213.6	
Mar-71	213.7	
Apr-71	213.5	
May-71	214.6	
Jun-71	214.7	
Jul-71	214.4	
Aug-71	212.8	
Oct-71	207.1	
Nov-71	211.4	
Dec-71	211.3	
Jan-72	211.7	
Feb-72	212.8	
Mar-72	212.2	
Apr-72	210	
May-72	209.6	
Jun-72	208.1	
Jul-72	206.3	
Aug-72	206.7	
Sep-72	204.3	
Oct-72	202.9	
Nov-72	202.9	
Dec-72	204.5	
Jan-73	204.7	
Feb-73	205.7	
Mar-73	206.1	
Apr-73	206.6	
May-73	207.4	
Jun-73	207.8	
Jul-73	207.5	
Aug-73	207.5	

WATER CONSERVATION – SUMMARY – GROUND WATER
--

GROUND WATER FLUCTUATION:**Location : Main San Gabriel Basin****Ground Surface Elevation: 245.0 ft above MSL**

STATION	2955X	2965C
	WS Elev.	WS Elev.
Sep-73	207.2	
Oct-73	207.5	
Nov-73	206.7	
Dec-73	207.9	
Jan-74	207.8	
Feb-74	208.5	
Mar-74	208.5	
Apr-74	208.4	
May-74	208	
Jun-74	207.3	
Jul-74	206.5	
Aug-74	205.7	
Sep-74	205.4	
Oct-74	205.2	
Nov-74	205.2	
Dec-74	205	
Jan-75	205.2	
Feb-75	205	
Mar-75	205.3	
Apr-75	205	
May-75	204.2	
Jun-75	204.5	
Jul-75	204.2	
Aug-75	202.7	
Sep-75	201.8	
Oct-75	200.9	
Nov-75	200.6	
Dec-75	199.8	
Jan-76	200	
Feb-76	199.9	
Mar-76	200.2	
Apr-76	199.9	
May-76	199.1	
Jun-76	198.3	
Jul-76	198.1	
Aug-76	197	
Sep-76	194.8	

WATER CONSERVATION – SUMMARY – GROUND WATER
--

GROUND WATER FLUCTUATION:**Location : Main San Gabriel Basin****Ground Surface Elevation: 245.0 ft above MSL**

STATION	2955X	2965C
	WS Elev.	WS Elev.
Oct-76	194.5	
Nov-76	193.9	
Dec-76	193.4	
Jan-77	193.5	
Feb-77	194.1	
Mar-77	194.4	
Apr-77	194	
May-77	193	
Jun-77	192.5	
Jul-77	191.4	
Aug-77	188.9	
Sep-77	188.5	
Oct-77	187.1	
Nov-77	186.3	
Dec-77	185.6	
Jan-78	186.6	
Feb-78	191.3	
Mar-78	194.9	
Apr-78	199.9	
May-78	201.2	
Jun-78	202.7	
Jul-78	203.8	
Aug-78	204.5	
Sep-78	205.6	
Oct-78	206.1	
Nov-78	207.2	
Dec-78	207.9	
Jan-79	209.2	
Feb-79	209.9	
Mar-79	210.8	
Jul-79	211.4	
Sep-79	211.1	
Oct-79	211.2	
Nov-79	211.4	
Dec-79	211.1	
Jan-80	211.6	
Feb-80	213.5	

WATER CONSERVATION – SUMMARY – GROUND WATER

GROUND WATER FLUCTUATION:**Location : Main San Gabriel Basin****Ground Surface Elevation: 245.0 ft above MSL**

STATION	2955X	2965C
	WS Elev.	WS Elev.
Mar-80	214.5	
Apr-80	214.4	
May-80	214.8	
Jun-80	214.9	
Jul-80	214.6	
Aug-80	214.5	
Sep-80	214.5	
Oct-80	214.6	
Nov-80	214.8	
Dec-80	214.9	
Jan-81	214.9	
Feb-81	215.1	
Mar-81	215.5	
Apr-81	214.9	
May-81	212.7	
Jun-81	213.5	
Jul-81	213.2	
Aug-81	211.8	
Sep-81	212.1	
Jan-82	210.3	
Apr-82	210.7	
May-82	210.4	
Aug-82	208.7	
Sep-82	208.4	
Oct-82	208.1	
Nov-82	208.5	
Dec-82	209.2	
Jan-83	209.5	
Feb-83	210.8	
Mar-83	212.7	
Apr-83	213.5	
May-83	214.3	
Jun-83	214.4	
Jul-83	215	
Aug-83	215.1	
Sep-83	215.7	
Oct-83	216.2	

WATER CONSERVATION – SUMMARY – GROUND WATER

GROUND WATER FLUCTUATION:**Location : Main San Gabriel Basin****Ground Surface Elevation: 245.0 ft above MSL**

STATION	2955X	2965C
	WS Elev.	WS Elev.
Nov-83	216.9	
Dec-83	217.3	
Jan-84	217.6	
Feb-84	217.6	
Mar-84	217.3	
Apr-84	217.3	
May-84	216.5	
Jun-84	216	
Jul-84	215.6	
Aug-84	214.2	
Sep-84	213.7	
Oct-84	212.5	
Nov-84	213.1	
Dec-84	213.5	
Jan-85	213.6	
Feb-85	213.5	
Jun-85	211.7	
Jul-85	210.1	
Aug-85	209.2	
Sep-85	207.9	
Oct-85	207.7	
Nov-85	207.3	
Dec-85	208	
Jan-86	207.8	
Feb-86	208	
Mar-86	209.5	
Apr-86	209.8	
May-86	209.3	
Jun-86	209	
Jul-86	207.6	
Aug-86	206.1	
Sep-86	205.9	
Oct-86	204	
Nov-86	204.4	
Dec-86	204.5	
Jan-87	204.7	217.5
Feb-87	204.6	217.5

WATER CONSERVATION – SUMMARY – GROUND WATER

GROUND WATER FLUCTUATION:**Location : Main San Gabriel Basin****Ground Surface Elevation: 245.0 ft above MSL**

STATION	2955X	2965C
	WS Elev.	WS Elev.
Mar-87	204.5	217.8
Apr-87	204.4	217.7
May-87	203.1	217
Jun-87	202.8	216.8
Jul-87	204.3	215.9
Aug-87	203.3	215.2
Sep-87	202.5	214.5
Oct-87	201.3	213.4
Nov-87	202.6	213.5
Dec-87	202.5	213.4
Jan-88	202.5	213.1
Feb-88	196.8	212.9
Mar-88	200.2	212.9
Apr-88	199.9	212.6
May-88	197.3	212.8
Jun-88	200.7	212.6
Jul-88	200.5	211.6
Aug-88	199	210.5
Sep-88	196.7	209
Oct-88	196.1	207.9
Nov-88	188.2	207
Dec-88	190.3	206.9
Jan-89	198.2	207.7
Jul-89		207.4
Aug-89	200.5	213.1
Sep-89		203
Nov-89	192.7	201.4
Dec-89	193.3	201.9
Jan-90	195.5	200.4
Feb-90	197.6	197.1
Mar-90	204.7	197
Apr-90	188.4	
May-90	190.8	199.5
Jun-90	191.4	
Nov-90		199.4
Apr-92		201
Mar-93		219.1

WATER CONSERVATION – SUMMARY – GROUND WATER
--

GROUND WATER FLUCTUATION:**Location : Main San Gabriel Basin****Ground Surface Elevation: 245.0 ft above MSL**

STATION	2955X	2965C
	WS Elev.	WS Elev.
Sep-93		220
Apr-94		222.3
Oct-94		217.8
Apr-95		220.2
Apr-96		223.3
Oct-96		220
May-97		220.1
Oct-97		215.4
Apr-98		219
Oct-98		220.2
Apr-99		220.7
Nov-99		216.4
Mar-00		216.1
Sep-00		218.1
01-Apr		213.4
01-Oct		215.3
02-May		215

WATER CONSERVATION – SUMMARY – GROUND WATER
--

GROUND WATER FLUCTUATION:**Location: Main San Gabriel Basin, Baldwin Park****Ground Surface Elevation: 386.7 ft above MSL**

STATION	3030F
	WS Elev.
Jan-60	250.4
Feb-60	250.8
Mar-60	251
Apr-60	250.4
May-60	248.9
Jun-60	247.3
Jul-60	244.8
Aug-60	241.4
Sep-60	239
Oct-60	235.8
Nov-60	236.1
Dec-60	236.7
Jan-61	236.7
Feb-61	236.5
Mar-61	236.5
Apr-61	236.1
May-61	235.1
Jun-61	233.6
Jul-61	231.4
Aug-61	228.9
Sep-61	226.6
Oct-61	225
Nov-61	224.1
Dec-61	224.2
Jan-62	225.3
Feb-62	225.4
Mar-62	233.6
Apr-62	245
May-62	243.7
Jun-62	242.1
Jul-62	240.1
Aug-62	239.2
Sep-62	240.4
Oct-62	238.8
Nov-62	238.3
Dec-62	238
Jan-63	237.6
Feb-63	236.5

WATER CONSERVATION – SUMMARY – GROUND WATER

GROUND WATER FLUCTUATION:**Location: Main San Gabriel Basin, Baldwin Park****Ground Surface Elevation: 386.7 ft above MSL**

STATION	3030F
	WS Elev.
Mar-63	236
Apr-63	235.4
May-63	233.6
Jun-63	233
Jul-63	228.1
Aug-63	225
Sep-63	223.7
Oct-63	223.2
Nov-63	223.7
Dec-63	223.7
Jan-64	223.6
Feb-64	222.9
Mar-64	222.3
Apr-64	221.6
May-64	220.3
Jun-64	219.2
Jul-64	217.4
Aug-64	215.6
Sep-64	213.8
Oct-64	212.2
Nov-64	211.2
Dec-64	211.6
Jan-65	212
Feb-65	212.1
Mar-65	212
Apr-65	212.6
May-65	222.9
Jun-65	211.7
Jul-65	211.9
Aug-65	211.8
Sep-65	209.8
Oct-65	209.2
Nov-65	209.2
Dec-65	211.3
Jan-66	233.6
Feb-66	251.5
Mar-66	252.5
Apr-66	254.7

WATER CONSERVATION – SUMMARY – GROUND WATER
--

GROUND WATER FLUCTUATION:**Location: Main San Gabriel Basin, Baldwin Park****Ground Surface Elevation: 386.7 ft above MSL**

STATION	3030F
	WS Elev.
May-66	252.8
Jun-66	248.9
Jul-66	245.4
Aug-66	240.5
Sep-66	236
Oct-66	233.3
Nov-66	231.6
Dec-66	231.6
Jan-67	247.4
Feb-67	249.3
Mar-67	260
Apr-67	266.8
May-67	274.8
Jun-67	284.7
Jul-67	287.7
Aug-67	284.9
Sep-67	280.6
Oct-67	276.8
Nov-67	275.3
Dec-67	274.7
Jan-68	277
Feb-68	276.4
Mar-68	275.7
Apr-68	274.9
May-68	273.7
Jun-68	271
Jul-68	268
Aug-68	264.6
Sep-68	260.4
Oct-68	258.5
Nov-68	256.9
Dec-68	256.3
Jan-69	256.6
Feb-69	260.4
Mar-69	278.3
Apr-69	293.9
May-69	300.3
Jun-69	301.8

WATER CONSERVATION – SUMMARY – GROUND WATER
--

GROUND WATER FLUCTUATION:**Location: Main San Gabriel Basin, Baldwin Park****Ground Surface Elevation: 386.7 ft above MSL**

STATION	3030F
	WS Elev.
Jul-69	298.6
Aug-69	293.3
Sep-69	288.5
Oct-69	284.1
Nov-69	280.2
Dec-69	278
Jan-70	276
Feb-70	274.5
Mar-70	273.3
Apr-70	277.4
May-70	277.7
Jun-70	274.2
Jul-70	270.8
Aug-70	266.7
Sep-70	263.2
Oct-70	260.1
Nov-70	258
Dec-70	256.6
Jan-71	257.1
Feb-71	261.3
Mar-71	262.9
Apr-71	261.6
May-71	259.6
Jun-71	257.7
Jul-71	255
Aug-71	251.5
Sep-71	248.1
Oct-71	245.2
Nov-71	243.6
Dec-71	242.8
Jan-72	242.1
Feb-72	243.2
Mar-72	243.1
Apr-72	242.2
May-72	240.3
Jun-72	237.9
Jul-72	234.7
Aug-72	230.9

WATER CONSERVATION – SUMMARY – GROUND WATER

GROUND WATER FLUCTUATION:**Location: Main San Gabriel Basin, Baldwin Park****Ground Surface Elevation: 386.7 ft above MSL**

STATION	3030F
	WS Elev.
Sep-72	228.1
Oct-72	226.1
Nov-72	224.9
Dec-72	225.3
Jan-73	226.7
Feb-73	226.3
Mar-73	229.7
Apr-73	244.7
May-73	250.3
Jun-73	250.8
Jul-73	247.4
Aug-73	243.6
Sep-73	239.3
Oct-73	236.9
Nov-73	235
Dec-73	234.7
Jan-74	234.8
Feb-74	237
Mar-74	240.7
Apr-74	240.6
May-74	240
Jun-74	238.7
Jul-74	238.5
Aug-74	237.1
Sep-74	235.6
Oct-74	233.5
Nov-74	231.8
Dec-74	230.6
Jan-75	230.2
Feb-75	229.3
Mar-75	228.6
Apr-75	228.8
May-75	230.2
Jun-75	232.6
Jul-75	234.8
Aug-75	231.5
Sep-75	227.5
Oct-75	224.9

WATER CONSERVATION – SUMMARY – GROUND WATER
--

GROUND WATER FLUCTUATION:**Location: Main San Gabriel Basin, Baldwin Park****Ground Surface Elevation: 386.7 ft above MSL**

STATION	3030F
	WS Elev.
Nov-75	224.5
Dec-75	223.7
Jan-76	224.7
Feb-76	223.2
Mar-76	222.6
Apr-76	225.9
May-76	226.1
Jun-76	223.4
Jul-76	220.2
Aug-76	217.2
Sep-76	214.7
Oct-76	214
Nov-76	214
Dec-76	213.8
Jan-77	212.5
Feb-77	213.8
Mar-77	215.5
Apr-77	214.5
May-77	212.8
Jun-77	212.3
Jul-77	211
Aug-77	208.6
Sep-77	207
Oct-77	205.7
Nov-77	204.9
Dec-77	203.7
Jan-78	203.7
Feb-78	210
Mar-78	229.7
Apr-78	244.9
May-78	254.5
Jun-78	262.5
Jul-78	270.4
Aug-78	266.9
Sep-78	260.9
Oct-78	258.6
Nov-78	256.1
Dec-78	255.5

WATER CONSERVATION – SUMMARY – GROUND WATER

GROUND WATER FLUCTUATION:**Location: Main San Gabriel Basin, Baldwin Park****Ground Surface Elevation: 386.7 ft above MSL**

STATION	3030F
	WS Elev.
Jan-79	253.8
Feb-79	256.3
Mar-79	257.8
Apr-79	262.2
May-79	267.2
Jun-79	268.6
Jul-79	266
Aug-79	262
Sep-79	257.7
Oct-79	254
Nov-79	251.6
Dec-79	250.5
Jan-80	249.9
Feb-80	249.3
Mar-80	255.7
Apr-80	267
May-80	278
Jun-80	284.9
Jul-80	281.6
Aug-80	276.7
Sep-80	272
Oct-80	268.6
Nov-80	265.2
Dec-80	263.1
Jan-81	262.7
Feb-81	261.5
Mar-81	260.4
Apr-81	259.5
May-81	257.7
Jun-81	255.3
Jul-81	251.9
Aug-81	248.2
Sep-81	245.3
Oct-81	242.8
Nov-81	241.7
Dec-81	241.3
Jan-82	242.4
Feb-82	244.6

WATER CONSERVATION – SUMMARY – GROUND WATER
--

GROUND WATER FLUCTUATION:**Location: Main San Gabriel Basin, Baldwin Park****Ground Surface Elevation: 386.7 ft above MSL**

STATION	3030F
	WS Elev.
Mar-82	247.2
Apr-82	249.7
May-82	249.1
Jun-82	247.5
Jul-82	245.1
Aug-82	243.6
Sep-82	241.2
Oct-82	240.5
Nov-82	245.6
Dec-82	249.9
Jan-83	252.3
Feb-83	253.2
Mar-83	256.8
Apr-83	271.4
May-83	279.8
Jun-83	286.9
Jul-83	293.9
Aug-83	293.8
Sep-83	288.3
Oct-83	283.2
Nov-83	280.9
Dec-83	282.5
Jan-84	280.9
Feb-84	281.9
Mar-84	279.8
Apr-84	276.6
May-84	273.7
Jun-84	270
Jul-84	266.4
Aug-84	262.4
Sep-84	258.7
Oct-84	254
Nov-84	253.5
Dec-84	252.7
Jan-85	252.4
Feb-85	254.4
Mar-85	252.9
Apr-85	251.5

WATER CONSERVATION – SUMMARY – GROUND WATER
--

GROUND WATER FLUCTUATION:**Location: Main San Gabriel Basin, Baldwin Park****Ground Surface Elevation: 386.7 ft above MSL**

STATION	3030F
	WS Elev.
May-85	250.1
Jun-85	248
Jul-85	245.3
Aug-85	242.1
Sep-85	239.1
Oct-85	237.5
Nov-85	238.7
Dec-85	242.2
Jan-86	245.4
Feb-86	247.1
Mar-86	247.7
Apr-86	252.9
May-86	253.9
Jun-86	252.8
Jul-86	250.2
Aug-86	247.2
Sep-86	243.3
Oct-86	240.7
Nov-86	239
Dec-86	237.4
Jan-87	239
Feb-87	239.8
Mar-87	240.7
Apr-87	241.5
May-87	241
Jun-87	238.2
Jul-87	235.9
Aug-87	232.6
Sep-87	229.9
Oct-87	227.8
Nov-87	226.8
Dec-87	226.9
Jan-88	227.8
Feb-88	230.1
Mar-88	232.5
Apr-88	230.7
May-88	228.7
Jun-88	226.1

WATER CONSERVATION – SUMMARY – GROUND WATER
--

GROUND WATER FLUCTUATION:**Location: Main San Gabriel Basin, Baldwin Park****Ground Surface Elevation: 386.7 ft above MSL**

STATION	3030F
	WS Elev.
Jul-88	223.7
Aug-88	221.9
Sep-88	219.4
Oct-88	217.7
Nov-88	216.7
Dec-88	216.2
Jan-89	218.7
Feb-89	223.6
Mar-89	225.5
Apr-89	224.1
May-89	222.3
Jun-89	225.9
Jul-89	221.4
Aug-89	218.9
Sep-89	210.2
Oct-89	211.2
Nov-89	210.4
Dec-89	209.5
Jan-90	208.8
Feb-90	207.9
Mar-90	207.7
Apr-90	207.8
May-90	209.5
Jun-90	208.3
Jul-90	205.7
Aug-90	203.5
Sep-90	201
Oct-90	191.7
Nov-90	199.8
Dec-90	200.5
Jan-91	199.8
Feb-91	198.5
Mar-91	196.7
Apr-91	198.4
May-91	200.7
Jun-91	200.7
Jul-91	198
Aug-91	199.7

WATER CONSERVATION – SUMMARY – GROUND WATER

GROUND WATER FLUCTUATION:**Location: Main San Gabriel Basin, Baldwin Park****Ground Surface Elevation: 386.7 ft above MSL**

STATION	3030F
	WS Elev.
Sep-91	212.4
Oct-91	206.3
Nov-91	209.3
Dec-91	209.9
Jan-92	210.5
Feb-92	210.9
Mar-92	215.8
Apr-92	226.1
May-92	233
Jun-92	233.5
Jul-92	237.5
Aug-92	238.1
Sep-92	235.5
Oct-92	232.1
Nov-92	230.7
Dec-92	231.5
93-JAN	238.5
Feb-93	246
Mar-93	254.8
Apr-93	263.4
May-93	269.3
Jun-93	271.3
Jul-93	266.8
Aug-93	263.6
Sep-93	259.7
Oct-93	259
Nov-93	259
Dec-93	257.1
Jan-94	255.4
Feb-94	253.2
Mar-94	251.4
Apr-94	249.3
May-94	247.8
Jun-94	249
JUL-94.	248.1
Aug-94	245.2
Sep-94	241.8
Oct-94	238.5

WATER CONSERVATION – SUMMARY – GROUND WATER

GROUND WATER FLUCTUATION:**Location: Main San Gabriel Basin, Baldwin Park****Ground Surface Elevation: 386.7 ft above MSL**

STATION	3030F
	WS Elev.
Nov-94	237
Dec-94	235.4
Jan-95	235.4
Feb-95	238.1
Mar-95	248.3
Apr-95	264.2
May-95	270.1
Jun-95	271.1
JUL-945	267.8
Aug-95	265.7
Sep-95	263
Oct-95	257.1
Nov-95	257.4
Dec-95	255.9
Jan-96	253.5
Feb-96	252.8
Mar-96	250.1
Apr-96	249.9
May-96	248.2
Jun-96	249.2
Jul-96	248.4
Aug-96	247.3
Sep-96	248
Oct-96	249.4
Nov-96	248.4
Dec-96	246.5
Jan-97	246.2
Feb-97	248.6
Mar-97	250.9
Apr-97	248.1
May-97	245.7
Jun-97	242.6
Jul-97	240.5
Aug-97	238.9
Sep-97	239.6
Oct-97	238.6
Nov-97	238.3
Dec-97	241.4

WATER CONSERVATION – SUMMARY – GROUND WATER

GROUND WATER FLUCTUATION:**Location: Main San Gabriel Basin, Baldwin Park****Ground Surface Elevation: 386.7 ft above MSL**

STATION	3030F
	WS Elev.
Jan-98	240.8
Feb-98	241.4
Mar-98	245.8
Apr-98	251.7
May-98	259
Jun-98	265.2
Jul-98	267.6
Aug-98	266.1
Sep-98	264.8
Oct-98	262.3
Nov-98	260.9
Dec-98	259.1
Jan-99	256.3
Feb-99	253.9
Mar-99	251.9
Apr-99	250.4
May-99	248
Jun-99	245.5
Jul-99	242.5
Aug-99	240.5
Sep-99	238.9
Oct-99	237.4
Nov-99	235.7
Dec-99	233.1
Jan-00	231.4
Feb-00	231
Mar-00	231
Apr-00	230.6
May-00	229.6
Jun-00	228.5
Jul-00	227.4
Aug-00	225.8
Sep-00	224.9
Oct-00	226.6
Nov-00	227.8
Dec-00	229
01-Jan	229.1
01-Feb	227.9

WATER CONSERVATION – SUMMARY – GROUND WATER
--

GROUND WATER FLUCTUATION:**Location: Main San Gabriel Basin, Baldwin Park****Ground Surface Elevation: 386.7 ft above MSL**

STATION	3030F
	WS Elev.
01-Mar	227.7
01-Apr	225.9
01-May	223.1
01-Jun	221.2
01-Jul	218.2
01-Aug	217.1
01-Sep	216.4
01-Oct	215.2
01-Nov	216.9
01-Dec	217.9
02-Jan	218
02-Feb	216.5
02-Mar	215.1
02-Apr	214.1
02-May	213.1
02-Jun	211.4
02-Jul	209.7
02-Aug	207.6
02-Sep	206.1

WATER CONSERVATION – SUMMARY – GROUND WATER

GROUND WATER FLUCTUATION:

Location: Pomona Basin

Ground Surface Elevation: 999.4 ft above MSL

STATION	3251E	3261P	4469A
	WS Elev.	WS Elev.	WS Elev.
Jan-55	761.6		
Feb-55	766.2		
Mar-55	768.5		
Apr-55	763.9		
May-55	770.8		
Jun-55	770.8		
Jul-55	756.9		
Aug-55	725.8		
Sep-55	720		
Oct-55	738.5		
Nov-55	717.7		
Dec-55	754.6		
Jan-56	754.6		
Feb-56	756.9		
Mar-56	759.3		
Apr-56	759.3		
May-56	763.9		
Jun-56	763.9		
Jul-56	745.4		
Aug-56	731.5		
Sep-56	740.7		
Feb-57	746		
Mar-57	739.3		
Apr-57	746.2		
May-57	753.2		
Jun-57	750.9		
Jul-57	711.6		
Aug-57	689.7		
Sep-57	676		
Oct-57	711.6		
Nov-57	714		
Jan-58		663.1	
Feb-58	706.3	665.6	
Mar-58	716.9	664.4	
Apr-58	718	665.6	
May-58	631.4	640.2	
Jun-58	690.3	628.6	
Jul-58	682.3	647.1	

WATER CONSERVATION – SUMMARY – GROUND WATER

GROUND WATER FLUCTUATION:**Location: Pomona Basin****Ground Surface Elevation: 999.4 ft above MSL**

STATION	3251E	3261P	4469A
	WS Elev.	WS Elev.	WS Elev.
Aug-58	686.9	644.8	
Sep-58	654.6	646	
Oct-58	652.3	643.6	
Nov-58	686.9	644.8	
Dec-58	690.3	646	
Jan-59	691.5	646	
Feb-59	685.7	695.6	
Mar-59	698.4	702.6	
Apr-59	707.7	702.6	
May-59	694.9	650.6	
Jun-59	690.3	647.1	
Jul-59	686.9	637.9	
Aug-59	675.3	663.3	
Sep-59	670.7	629.8	
Oct-59		624	
Nov-59	662.6	628.6	
Dec-59	669.6	626.3	
Jan-60	670.7	624	
Feb-60	674.2	627.5	
Mar-60	673	628.6	
Apr-60	673	626.3	
May-60	670.7	617.1	
Jun-60	676.1	624	
Jul-60	662.6	617.9	
Aug-60	637.2	607.9	
Sep-60	644.1	603.2	
Oct-60	641.8	606.7	
Nov-60	643	610.2	
Dec-60	663.8	663.3	
Jan-61	656.8	620.6	
Feb-61	675.3	672.5	
Mar-61	675.9	677.2	
Apr-61	682.3	679.5	
May-61	662.6		
Jun-61	655.7		
Jul-61	604.9	606.3	
Aug-61	624.5	621.3	
Sep-61	617.6	578.6	

WATER CONSERVATION – SUMMARY – GROUND WATER

GROUND WATER FLUCTUATION:

Location: Pomona Basin

Ground Surface Elevation: 999.4 ft above MSL

STATION	3251E	3261P	4469A
	WS Elev.	WS Elev.	WS Elev.
Oct-61	623.3		
Nov-61	622.2		
Dec-61	629.1		
Jan-62	643	645.6	
Feb-62	646.5	643.3	
Mar-62	650	650.2	
Apr-62	652.3	652.5	
May-62	643		
Jun-62	640.8		
Jul-62	637.3	590.2	
Aug-62	640.8	622.5	
Sep-62	626.9	579.8	
Oct-62	632.7	585.6	
Nov-62	629.2	578.7	
Dec-62	629.2	574	
Jan-63	630.4	578.7	
Feb-63	629.2	630.6	
Mar-63	632.7	569.4	
Apr-63	623.5	576.4	
May-63	626.9	572.9	
Jun-63	628.1	613.3	
Jul-63	570.3	563.6	
Aug-63	608.4	601.7	
Sep-63	600.3	601.7	
Oct-63	548.3	555.5	
Nov-63	593.4	558	
Dec-63	609.6	556.9	
Jan-64	608.4	565.9	
Feb-64	620	619	
Mar-64	615.3	569.4	
Apr-64	608.4	562.5	
May-64	613	567.1	
Jun-64	606.1		
Jul-64	548.3	553.2	
Aug-64	584.1	550.9	
Sep-64	588.7	604.3	
Oct-64	583	539.6	
Nov-64	583	593.9	

WATER CONSERVATION – SUMMARY – GROUND WATER

GROUND WATER FLUCTUATION:**Location: Pomona Basin****Ground Surface Elevation: 999.4 ft above MSL**

STATION	3251E	3261P	4469A
	WS Elev.	WS Elev.	WS Elev.
Dec-64	593.4	597.4	
Jan-65	588.7	532.7	
Feb-65	588.7	522.3	
Mar-65	583	528.1	
Apr-65	585.3	533.8	
May-65	583	527	
Jun-65	537.9	521	
Jul-65	578.4	528.1	
Aug-65		517.7	
Sep-65	559.9	513.1	
Oct-65	571.4	520	
Nov-65	571.5		
Dec-65	574.9	575.3	
Jan-66		517.7	
Feb-66	581.8	580	
Mar-66	578.4	515.4	
Apr-66		517.7	
Jun-66	564.6		
Jul-66	551.9		
Aug-66	541.5		
Sep-66	541.5		
Oct-66	546.1		
Nov-66	548.5	510.7	
Jan-67	553.1	499.2	
Feb-67	557.7	506.1	
Mar-67	549.6	499.2	
Apr-67	550.8	499.2	
May-67	550.8	499.2	
Jun-67	553.1	561.6	
Jul-67	543.8	496.9	
Aug-67	541.5	480.7	
Sep-67	536.9	477.2	
Oct-67	541.5	556.9	
Nov-67	553.1	492.3	
Dec-67	560		
Jan-68	566.9	495.7	
Feb-68	557.7	492.3	
Mar-68	560	496.9	

WATER CONSERVATION – SUMMARY – GROUND WATER

GROUND WATER FLUCTUATION:

Location: Pomona Basin

Ground Surface Elevation: 999.4 ft above MSL

STATION	3251E	3261P	4469A
	WS Elev.	WS Elev.	WS Elev.
Apr-68	560	496.9	
May-68	562.3	490	
Jun-68	487.1	473.8	
Jul-68	549.6	555.9	
Aug-68	536.9		
Sep-68	535.7		
Oct-68	553.1		
Nov-68	546.1	501.6	
Dec-68	555.4	500.4	
Jan-69		493.5	
Feb-69	553.1	490	
Mar-69	557.7	565.1	
Apr-69	557.7	559.3	
May-69	472.2	490	
Jun-69	543.8	479.6	
Jul-69	553.1	480.8	
Aug-69	546.1	478.5	
Sep-69	430.6	446.1	
Oct-69	533.4	470.4	
Nov-69	541.5	473.8	
Dec-69	551.9	552.4	
Jan-70	554.2	543.1	
Feb-70	557.7	550.1	
Mar-70	564.6	555.8	
Apr-70	571.6	550.1	
May-70	574	488.8	
Jun-70	586	554.7	
Jul-70	590.7	575.5	
Aug-70	590.7	492.3	
Sep-70	597.7	495.8	
Oct-70	602.3	495.8	
Nov-70	608	498.6	
Dec-70	612.7	573.2	
Jan-71	623.1	588.2	
Feb-71	620.8	598.6	
Mar-71	635.8	605.5	
Apr-71	642.7	619.9	
May-71	643.9	533.9	

WATER CONSERVATION – SUMMARY – GROUND WATER

GROUND WATER FLUCTUATION:**Location: Pomona Basin****Ground Surface Elevation: 999.4 ft above MSL**

STATION	3251E	3261P	4469A
	WS Elev.	WS Elev.	WS Elev.
Jun-71	648.5	533.9	
Jul-71	646.2	527	
Aug-71	650.8	525.8	
Sep-71	650.8	569.1	
Oct-71	655.4	525.8	
Nov-71	655.5	524.7	
Dec-71	657.7	605.5	
Jan-72	657.7	525.8	
Feb-72	662.4	626.3	
Mar-72		536.2	
Apr-72	649.6	614.8	
May-72		531.6	
Jun-72		528.1	
Jul-72	669.5	515.4	
Aug-72		510.8	
Sep-72		501.6	
Oct-72		496.9	
Nov-72		500.4	
Dec-72	620.8	587	
Jan-73	628	591.7	
Feb-73	628	510.8	
Mar-73	620	591.7	
Apr-73	634	600.9	
May-73	593.1	605.5	
Jun-73	574.6	502.7	
Jul-73	567.9	499.3	
Aug-73	556.1	490.1	
Sep-73	542.3	487.7	
Oct-73	551.5	490	
Nov-73	537.7	475	
Dec-73	580.4	570.9	
Jan-74	605.8	486.6	
Feb-74	616.2	479.6	
Mar-74	613.9	477.3	
Apr-74	627.8	487.7	
May-74	625.4	488.9	
Jun-74	593.1		
Jul-74	548.1	477.3	

WATER CONSERVATION – SUMMARY – GROUND WATER

GROUND WATER FLUCTUATION:**Location: Pomona Basin****Ground Surface Elevation: 999.4 ft above MSL**

STATION	3251E	3261P	4469A
	WS Elev.	WS Elev.	WS Elev.
Aug-74	537.7	471.5	
Sep-74	530.7	466.9	
Oct-74		461.1	
Nov-74	557.3	458.8	
Dec-74	585	559.3	
Jan-75	614	579	
Feb-75	619	600.9	
Mar-75	628.9	607.8	
Apr-75	637	614.8	
May-75	641.6	619.4	
Jun-75	632.4	610.1	
Jul-75	576.9	600.9	
Aug-75	553.8	503.9	
Sep-75	540	494.6	
Oct-75	573.5	478.5	
Nov-75	595.4	590.5	
Dec-75	607	600.9	
Jan-76	616.2	603.2	
Feb-76	623.2	605.5	
Mar-76	632.4	617.1	
Apr-76	634.7	619.4	
May-76	641.7	621.7	
Jun-76	572.3	515.4	
Jul-76	553.8	506.2	
Aug-76		567.4	
Sep-76	567.7	570.9	
Oct-76	593.2	587	
Nov-76	602.4	589.4	
Dec-76	608.1	607.8	
Jan-77	604.7	605.5	
Feb-77		610.1	
Mar-77	613.9	617.1	
Apr-77	630.1	617.1	
May-77	570.8	592.8	
Jun-77	579.2	596.3	
Jul-77	559.6		
Aug-77	544.5		
Sep-77	540		

WATER CONSERVATION – SUMMARY – GROUND WATER

GROUND WATER FLUCTUATION:**Location: Pomona Basin****Ground Surface Elevation: 999.4 ft above MSL**

STATION	3251E	3261P	4469A
	WS Elev.	WS Elev.	WS Elev.
Oct-77	530.7		
Nov-77	549.2		
Dec-77	579.3	559.3	
Jan-78	589.7		
Feb-78	593.1		
Mar-78	590.8		
Apr-78	604.7	577.8	
May-78	607		
Jun-78	616.2		
Nov-78	556.2	540.8	
Dec-78	556.2	540.8	
Jan-79	581.6	563.9	
Feb-79	507.6		
Mar-79	509.9		
Apr-79	485	531.6	
May-79	482.2		
Jun-79	484.5		
Jul-79	496.1		
Aug-79	478.8		
Sep-79	479.9		
Oct-79	483.4		
Nov-79	545.8	529.3	
Dec-79	533.1		
Jan-80	590.8	550.1	
Feb-80	600	552.4	
Mar-80	630.1		
Apr-80	641.6	598.6	
May-80	643.9		
Jun-80	611.6		
Jul-80	648.6		
Aug-80	593.1		
Sep-80	581.6		
Oct-80	576.9		
Nov-80	643.9	594	937.7
Dec-80	653.2		
Jan-81	664.7		
Feb-81	646.2	577.8	
Mar-81	677.4		932.7

WATER CONSERVATION – SUMMARY – GROUND WATER

GROUND WATER FLUCTUATION:**Location: Pomona Basin****Ground Surface Elevation: 999.4 ft above MSL**

STATION	3251E	3261P	4469A
	WS Elev.	WS Elev.	WS Elev.
Apr-81	671.7	624	
May-81	693.6	633.2	
Jun-81	650.9		
Jul-81	648.6		
Aug-81	648.6	610.1	
Sep-81	641.6		888.7
Oct-81	654.3		934.7
Nov-81	645.1		
Dec-81	655.5	562.8	
Jan-82	700.5		
Feb-82	740.9	672.5	
Mar-82	743.3		
Apr-82	758.3	695.6	962.7
May-82	727.1		
Jun-82	678.6		
Jul-82	671.7		
Aug-82	670.5		
Sep-82	680.9		
Oct-82	671.7	644.8	952.7
Nov-82	741		
Dec-82	752.5	710.6	
Jan-83	773.3	725.6	
Feb-83	775.6	727.9	
Mar-83	781.4	729.1	
Apr-83	788.3	744.1	
May-83	740.9	727.9	947.7
Jun-83	777.4		966.7
Jul-83	771	710.6	
Oct-83	787.1	737.2	979.7
Nov-83	796.4	687.5	
Dec-83	810.2	684.1	
Jan-84	812.1	774.1	
Feb-84	825.3	704.8	
Apr-84	811.4	661	
May-84	815.6		
Jun-84	811.4	724.5	
Jul-84	823		
Aug-84	825.3		

WATER CONSERVATION – SUMMARY – GROUND WATER

GROUND WATER FLUCTUATION:**Location: Pomona Basin****Ground Surface Elevation: 999.4 ft above MSL**

STATION	3251E	3261P	4469A
	WS Elev.	WS Elev.	WS Elev.
Sep-84	911.9	771.8	
Oct-84	915.8	783.4	940.7
Nov-84	918.1	815.7	
Dec-84	921.8	693.3	
Jan-85	914.7	799.6	
Feb-85	947.7	771.8	
Mar-85	955.8	820.3	
Apr-85		820.3	933.7
Jun-85			971.7
Oct-85		855	
Nov-85			979.7
Apr-86		843.4	969.7
Aug-86			933.7
Dec-86		809.3	
Aug-87		870.4	
Oct-87		894	957.7
Nov-87		704.7	
Dec-87		817.9	
Jan-88		708.6	
Feb-88		700.9	
Mar-88		873.6	
Apr-88		872.4	
May-88		705.7	
Jun-88		698.2	
Dec-88		769.4	
Apr-89		807.5	
Sep-89		810.8	
Oct-89		805.5	976.7
Dec-89		834.1	
Apr-90		799.4	972.7
Oct-90			981.7
Apr-91			979.7
Sep-91		868.2	
Oct-91			971.4
Dec-91		783.3	
Apr-92		790.2	975.7
Oct-92			969.7
Dec-92		842.6	

WATER CONSERVATION – SUMMARY – GROUND WATER

GROUND WATER FLUCTUATION:**Location: Pomona Basin****Ground Surface Elevation: 999.4 ft above MSL**

STATION	3251E	3261P	4469A
	WS Elev.	WS Elev.	WS Elev.
Mar-93		852.1	
Apr-93		861.8	
May-93		852.5	
Jun-93		858.1	
Aug-93		872.4	
Sep-93		879.2	
Dec-93		891.5	
Jan-94		900.7	
Feb-94		912.6	
Mar-94		893.5	
Apr-94		889.3	
May-94		931.2	
Nov-94		931.5	
Dec-94		939.2	
Jan-95		950.2	
Feb-95		950.8	
Apr-95		920.1	
May-95		931	
Jun-95		943.7	
Jul-95		934.9	
Aug-95		903.1	
Sep-95		920.9	
Oct-95		935.8	
Nov-95		942.6	
Dec-95		940.6	
Jan-96		920.9	
Feb-96		947.7	
Mar-96		938.6	
Apr-96		931.9	
May-96		918.3	
Jun-96		913.2	
Jul-96		927	
Aug-96		929.1	
Oct-96		911.8	
Nov-96		945.9	
Dec-96		949.4	
Jan-97		957	
Feb-97		961.4	

WATER CONSERVATION – SUMMARY – GROUND WATER

GROUND WATER FLUCTUATION:

Location: Pomona Basin

Ground Surface Elevation: 999.4 ft above MSL

STATION	3251E	3261P	4469A
	WS Elev.	WS Elev.	WS Elev.
Mar-97		960.3	
Apr-97		956.8	
May-97		960.5	
Jun-97		960.6	
Jul-97		957.6	
Aug-97		960.5	
Sep-97		950.5	
Oct-97		957.8	
Nov-97		958	
Feb-98		960.2	
Mar-98		965.5	
Apr-98		959.4	
May-98		965.5	
Jun-98		953.4	
Jul-98		965	
Aug-98		962.3	
Nov-98		966.4	
Dec-98		971.5	
Jan-99		973	
Feb-99		974.7	
Mar-99		973.4	
Apr-99		974.4	
May-99		974	
Jul-99		974.7	
Aug-99		974.6	
Jan-00		938.2	
Mar-00		979.3	
Apr-00		977.8	
May-00		974.9	
Jun-00		973	
Jul-00		972.7	
Aug-00		971.3	
Sep-00		970.4	
Oct-00		971.1	
Dec-00		974.3	
01-Jan		974.1	
01-Mar		973.8	
01-Apr		973	

WATER CONSERVATION – SUMMARY – GROUND WATER

GROUND WATER FLUCTUATION:

Location: Pomona Basin

Ground Surface Elevation: 999.4 ft above MSL

STATION	3251E	3261P	4469A
	WS Elev.	WS Elev.	WS Elev.
01-Sep		968.5	
01-Oct		967.9	
02-May		963.1	
02-Jun		965.7	
02-Jul		965.9	

WATER CONSERVATION – SUMMARY – GROUND WATER

GROUND WATER FLUCTUATION:

Location : San Fernando Valley, Canoga Park

Ground Surface Elevation: 788.5 ft above MSL

STATION	4709	3600H
	WS Elev.	WS Elev.
Jan-61	776.2	
Feb-61	776.4	
Mar-61	775.4	
Apr-61	774.8	
May-61	774.2	
Jun-61	773.7	
Jul-61	773	
Aug-61	772.9	
Sep-61	772.5	
Oct-61	772	
Nov-61	771.4	
Dec-61	772.7	
Jan-62	773.3	
Feb-62	774.2	
Mar-62	776	
Apr-62	776.2	
May-62	776.3	
Jun-62	776.2	
Jul-62	775	
Aug-62	773.5	
Sep-62	772.8	
Oct-62	773	
Nov-62	773.3	
Dec-62	772.6	
Jan-63	772.2	
Feb-63	772.2	
Mar-63	772.6	
Apr-63	772.7	
May-63	772.7	
Jun-63	772.6	
Jul-63	771.9	
Aug-63	770.8	
Sep-63	771.6	
Oct-63	772.5	
Nov-63	771.8	
Dec-63	772.6	
Jan-64	773.4	
Feb-64	773.4	

WATER CONSERVATION – SUMMARY – GROUND WATER

GROUND WATER FLUCTUATION:

Location : San Fernando Valley, Canoga Park

Ground Surface Elevation: 788.5 ft above MSL

STATION	4709	3600H
	WS Elev.	WS Elev.
Mar-64	772.5	
Apr-64	772.2	
May-64	772	
Jun-64	771.8	
Jul-64	771.3	
Aug-64	770.9	
Sep-64	770.5	
Oct-64	770	
Nov-64	770	
Dec-64	769.9	
Jan-65	770.5	
Feb-65	770.3	
Mar-65	770.4	
Apr-65	770.9	
May-65	770.9	
Jun-65	770.4	
Jul-65	769.7	
Aug-65	769.5	
Sep-65	769.2	
Oct-65	768.7	
Nov-65	768.6	
Dec-65	770.6	
Jan-66	771	
Feb-66	772.8	
Mar-66	773	
Apr-66	771.8	
May-66	771.6	
Jun-66	771.5	
Jul-66	771.8	
Aug-66	770.8	
Sep-66	769.8	
Oct-66	770.4	
Nov-66	771.2	
Dec-66	771.9	
Jan-67	772.3	
Feb-67	772.4	
Mar-67	772.8	
Apr-67	772.1	

WATER CONSERVATION – SUMMARY – GROUND WATER

GROUND WATER FLUCTUATION:

Location : San Fernando Valley, Canoga Park

Ground Surface Elevation: 788.5 ft above MSL

STATION	4709	3600H
	WS Elev.	WS Elev.
May-67	772.6	
Jun-67	772.1	
Jul-67	772.1	
Aug-67	772.3	
Sep-67	772.1	
Oct-67	772	
Nov-67	771.8	
Dec-67	772.6	
Jan-68	773	
Feb-68	773	
Mar-68	773.2	
Apr-68	773.4	
May-68	772	
Jun-68	771.1	
Jul-68	771	
Aug-68	770.7	
Sep-68	770.4	
Oct-68	770.1	
Nov-68	770.1	
Dec-68	770.1	
Jan-69	770.2	
Feb-69	773.4	
Mar-69	773.8	
May-69	773.8	
Jun-69	773.6	
Jul-69	773.5	
Aug-69	773.7	
Sep-69	773.6	
Oct-69	771.8	
Nov-69	773	
Dec-69	772.6	
Jan-70	772.3	
Feb-70	772.5	
Mar-70	773.2	
Apr-70	772.9	
May-70	773	
Jun-70	772.1	
Jul-70	772	

WATER CONSERVATION – SUMMARY – GROUND WATER

GROUND WATER FLUCTUATION:

Location : San Fernando Valley, Canoga Park

Ground Surface Elevation: 788.5 ft above MSL

STATION	4709	3600H
	WS Elev.	WS Elev.
Aug-70	771.9	
Sep-70	771.6	
Oct-70	771.2	
Nov-70	771.7	
Dec-70	772.1	
Jan-71	772.9	
Feb-71	772.1	
Mar-71	771.7	
Apr-71	771.7	
May-71	771.6	
Jun-71	771.4	
Jul-71	771.3	
Oct-71	769.8	
Nov-71	769.7	
Dec-71	769.5	
Jan-72	770.3	
Feb-72	770.6	
Mar-72	770.1	
Apr-72	769.5	
May-72	769.2	
Jun-72	769.1	
Jul-72	769.5	
Aug-72	769.6	
Sep-72	769.5	
Oct-72	769.5	
Nov-72	769.1	
Dec-72	769.3	
Jan-73	769	
Feb-73	770	
Mar-73	770.2	
Apr-73	770.3	
May-73	770.3	
Jul-73	770.1	
Aug-73	769.8	
Nov-73	768.7	
Dec-73	768.9	
Jan-74	769.6	
Feb-74	769.7	

WATER CONSERVATION – SUMMARY – GROUND WATER

GROUND WATER FLUCTUATION:

Location : San Fernando Valley, Canoga Park

Ground Surface Elevation: 788.5 ft above MSL

STATION	4709	3600H
	WS Elev.	WS Elev.
Mar-74	769.9	
Apr-74	769.9	
May-74	769.7	
Jun-74	769.6	
Jul-74	769.3	
Aug-74	769.1	
Sep-74	769	
Oct-74	768.7	
Nov-74	768.7	
Dec-74	768.7	
Jan-75	768.8	
Feb-75	768.9	
Mar-75	769.1	
Apr-75	769.2	
May-75	769.3	
Jun-75	769.1	
Jul-75	769.3	
Aug-75	768.6	
Sep-75	768.4	
Oct-75	768.2	
Nov-75	768.1	
Dec-75	768.1	
Jan-76	768.1	
Feb-76	768.1	
Apr-76	768.2	
May-76	768.2	
Aug-76	767.4	
Sep-76	767.3	
Oct-76	767.2	
Nov-76	766.9	
Dec-76	766.7	
Jan-77	766.9	
Feb-77	767	
Mar-77	766.8	
Apr-77	766.9	
Jun-77	766.5	
Jul-77	766.2	
Aug-77	766	

WATER CONSERVATION – SUMMARY – GROUND WATER

GROUND WATER FLUCTUATION:

Location : San Fernando Valley, Canoga Park

Ground Surface Elevation: 788.5 ft above MSL

STATION	4709	3600H
	WS Elev.	WS Elev.
Sep-77	765.8	
Oct-77	765.4	
Nov-77	765.4	
Dec-77	765.2	
Jan-78	765.7	
Feb-78	766.2	
Mar-78	767.5	
Apr-78	767.7	
May-78	767.8	
Jun-78	767.7	
Jul-78	767.6	
Aug-78	767.4	
Sep-78	767.3	
Oct-78	767.2	
Nov-78	767.2	
Dec-78	766.8	
Jan-79	767.4	
Mar-79	768.4	
Apr-79	768.6	
May-79	768.7	
Jun-79	768.7	
Aug-79	768.5	
Sep-79	768.3	
Oct-79	768.4	
Nov-79	768.2	
Dec-79	768.2	
Jan-80	768.5	
Feb-80	769.5	
Mar-80	770	
Nov-80	769.6	
Nov-81	769.3	
Apr-82	769.9	
Nov-82	769.1	
Apr-83	771.1	
Oct-83	771.2	
Jan-84	771.4	
Feb-84	771.5	
Mar-84	771.5	

WATER CONSERVATION – SUMMARY – GROUND WATER

GROUND WATER FLUCTUATION:

Location : San Fernando Valley, Canoga Park

Ground Surface Elevation: 788.5 ft above MSL

STATION	4709	3600H
	WS Elev.	WS Elev.
Apr-84	771.5	
May-84	771.5	
Jun-84	771.4	
Jul-84	771.2	
Aug-84	771	
Sep-84	770.8	
Oct-84	770.7	
Nov-84	770.4	
Jan-85	770.7	
Feb-85	771	
Mar-85	770.7	
Apr-85	770.7	
May-85	770.6	
Jun-85	770.5	
Jul-85	770.2	
Aug-85	770	
Sep-85	769.9	
Nov-85	769.7	
Dec-85	769.9	
Jan-86	769.9	
Mar-86	770.6	
Apr-86	770.7	
May-86	770.7	
Oct-86	769.9	
Nov-86	769.8	
Dec-86	769.7	
Jan-87	769.6	
Apr-87	769.4	
May-87	769.2	
Jun-87	768.6	
Jul-87	768.9	
Aug-87	768.7	
Sep-87	768.6	
Oct-87	768.4	
Nov-87	768.7	
Dec-87	768.7	
Jan-88	768.7	
Mar-88	768.8	

WATER CONSERVATION – SUMMARY – GROUND WATER

GROUND WATER FLUCTUATION:

Location : San Fernando Valley, Canoga Park

Ground Surface Elevation: 788.5 ft above MSL

STATION	4709	3600H
	WS Elev.	WS Elev.
May-88	768.9	
Jun-88	768.8	
Jul-88	768.6	
Aug-88	768.3	
Sep-88	768.2	
Oct-88	768.1	
Nov-88	767.8	
Dec-88	767.8	
Feb-89	766.4	
Mar-89	768	
Apr-89	768	
Sep-89	766.6	
Oct-89	766.4	
Nov-89	766.3	
Dec-89	766.3	
Apr-90	766.3	
May-90	766.1	
Jun-90	765.8	
Jul-90	765.5	
Aug-90	765.5	
Sep-90	765.2	
Oct-90	764.7	
Nov-90	764.6	
Dec-90	764.8	
Jan-91	764.8	
Feb-91	764.8	
Mar-91	764.9	
Apr-91	765.2	
May-91	765.2	
Jun-91	765	
Jul-91	764.7	
Aug-91	764.5	
Sep-91	764.3	
Oct-91	764	
Nov-91	763.8	
Dec-91	763.6	
Jan-92	764	
Feb-92	764.4	774.1

WATER CONSERVATION – SUMMARY – GROUND WATER

GROUND WATER FLUCTUATION:

Location : San Fernando Valley, Canoga Park

Ground Surface Elevation: 788.5 ft above MSL

STATION	4709	3600H
	WS Elev.	WS Elev.
Mar-92	765.2	774.6
Apr-92	765.3	
May-92	765.6	775.1
Jun-92	765.6	774.7
Jul-92	765.4	774.1
Aug-92	765.1	774.2
Sep-92	764.9	773.7
Oct-92	764.6	773.5
Nov-92	764.6	773.4
Dec-92	764.7	773.4
Jan-93	765.4	
Feb-93	766	776.6
Mar-93	766.8	
Apr-93	766.9	
May-93	766.8	776.1
Jun-93	766.7	775.9
Jul-93	766.5	775.3
Aug-93	766.4	774.9
Sep-93	766.4	774.7
Nov-93	766.1	774.2
Dec-93	764.7	774.2
Jan-94	766.2	774.1
Feb-94	766.3	774.2
Mar-94	766	774.1
Apr-94	765.9	
May-94	765.9	
Jun-94	765.8	
Jul-94	765.6	
Aug-94	765.6	773.9
Sep-94	765.1	773.6
Oct-94	765	773.5
Nov-94	765	773.5
Dec-94	764.9	773.3
Jan-95	765.4	773.4
Feb-95	766.1	774.6
Mar-95	766.4	774.9
Apr-95	766.7	
May-95	766.7	774.9

WATER CONSERVATION – SUMMARY – GROUND WATER**GROUND WATER FLUCTUATION:**

Location : San Fernando Valley, Canoga Park

Ground Surface Elevation: 788.5 ft above MSL

STATION	4709	3600H
	WS Elev.	WS Elev.
Jun-95	766.7	774.8
Jul-95	destroyed	774.5
Sep-95		774.3
Oct-95		774
Mar-96		773.8
Apr-97		773.5
Apr-99		775.5
Oct-99		774.7
01-Mar		775.2

WATER CONSERVATION – SUMMARY – GROUND WATER

GROUND WATER FLUCTUATION:**Location : San Fernando Valley, Burbank****Ground Surface Elevation: 546.5 ft above MSL**

STATION	3872H
	WS Elev.
Jul-64	439.8
Oct-64	430.2
Nov-64	430.7
Dec-64	430
Jan-65	433
Feb-65	431.5
Mar-65	431.1
Apr-65	429.8
May-65	427.3
Jul-65	426
Aug-65	425.5
Sep-65	426.7
Oct-65	427.7
Nov-65	425.2
Dec-65	424.9
Jan-66	424.7
Feb-66	425.2
Mar-66	424.7
Apr-66	423
May-66	422
Jun-66	422
Jul-66	418.1
Aug-66	415.3
Sep-66	415.4
Oct-66	414.5
Nov-66	415.7
Dec-66	417.5
Jan-67	414.7
Feb-67	414.2
Mar-67	414.9
Apr-67	414.4

WATER CONSERVATION – SUMMARY – GROUND WATER

GROUND WATER FLUCTUATION:**Location : San Fernando Valley, Burbank****Ground Surface Elevation: 546.5 ft above MSL**

STATION	3872H
	WS Elev.
May-67	415
Jun-67	413.8
Jul-67	413.4
Aug-67	413
Sep-67	411.9
Oct-67	412.6
Nov-67	412.1
Dec-67	412.4
Jan-68	413
Feb-68	414
Mar-68	412.8
Apr-68	412.1
May-68	411.6
Jun-68	411.3
Jul-68	411.1
Aug-68	410.3
Sep-68	410.9
Oct-68	410.4
Nov-68	412.1
Dec-68	411.7
Jan-69	412.8
Feb-69	420.2
Mar-69	421.3
Apr-69	422.2
May-69	421.7
Jun-69	419.1
Jul-69	414.8
Aug-69	414.2
Sep-69	414.9
Oct-69	415.6
Nov-69	415

WATER CONSERVATION – SUMMARY – GROUND WATER

GROUND WATER FLUCTUATION:**Location : San Fernando Valley, Burbank****Ground Surface Elevation: 546.5 ft above MSL**

STATION	3872H
	WS Elev.
Dec-69	416.7
Jan-70	420.4
Feb-70	420.4
Mar-70	420.6
Apr-70	422.7
May-70	421.4
Jun-70	422.4
Jul-70	421.6
Aug-70	421.4
Sep-70	421.7
Oct-70	422
Nov-70	423.3
Dec-70	424.2
Feb-71	421.6
Mar-71	423
Apr-71	427.2
May-71	427.6
Jun-71	428
Jul-71	425.6
Aug-71	425.1
Sep-71	428.2
Oct-71	427.7
Nov-71	429.1
Jan-72	436.5
Feb-72	436.7
May-72	430.4
Jun-72	430.6
Jul-72	429.5
Aug-72	428.5
Sep-72	427.2
Oct-72	427.8

WATER CONSERVATION – SUMMARY – GROUND WATER

GROUND WATER FLUCTUATION:**Location : San Fernando Valley, Burbank****Ground Surface Elevation: 546.5 ft above MSL**

STATION	3872H
	WS Elev.
Nov-72	429.4
Dec-72	430.6
Jan-73	430.8
Feb-73	431.3
Mar-73	432.6
Apr-73	431.8
May-73	432.1
Jun-73	436.6
Aug-73	436
Sep-73	429.8
Nov-73	436.4
Jan-74	439.2
Feb-74	439.9
Mar-74	439.6
Apr-74	438.8
May-74	439.1
Jun-74	439.9
Jul-74	438.7
Aug-74	438.1
Sep-74	438.2
Oct-74	438.1
Nov-74	438.8
Dec-74	438.7
Jan-75	440.5
Feb-75	440
Mar-75	439.8
Apr-75	440.4
May-75	440.2
Jun-75	441.5
Jul-75	437.5
Sep-75	430.9

WATER CONSERVATION – SUMMARY – GROUND WATER

GROUND WATER FLUCTUATION:**Location : San Fernando Valley, Burbank****Ground Surface Elevation: 546.5 ft above MSL**

STATION	3872H
	WS Elev.
Oct-75	435.9
Nov-75	437.1
Dec-75	439.5
Jan-76	440.5
Feb-76	439.7
Mar-76	439.5
Apr-76	440.1
May-76	440.7
Jun-76	440.5
Jul-76	438.3
Aug-76	439
Sep-76	438.3
Oct-76	438.8
Nov-76	438.9
Jan-77	439.5
Feb-77	439.9
Mar-77	439.6
Apr-77	439.9
May-77	438.8
Jun-77	435.8
Jul-77	435.7
Aug-77	429.4
Sep-77	427.6
Oct-77	433.7
Nov-77	434.7
Dec-77	432.2
Jan-78	435.7
Mar-78	436.8
Apr-78	437.7
May-78	439.1
Jun-78	439.2

WATER CONSERVATION – SUMMARY – GROUND WATER

GROUND WATER FLUCTUATION:

Location : San Fernando Valley, Burbank

Ground Surface Elevation: 546.5 ft above MSL

STATION	3872H
	WS Elev.
Jul-78	437.4
Aug-78	439.3
Sep-78	439.2
Oct-78	439.7
Nov-78	441.5
Dec-78	445.2
Jan-79	446.4
Feb-79	450
Mar-79	450
Apr-79	450.6
May-79	449.2
Jun-79	451.9
Jul-79	452
Aug-79	452.4
Sep-79	452.9
Oct-79	450.2
Nov-79	456.5
Jan-80	458.8
Mar-80	461.6
Apr-80	462.2
May-80	463.7
Jun-80	465.2
Jul-80	466.7
Aug-80	467
Sep-80	466.4
Oct-80	470.2
Dec-80	472.6
Jan-81	474.2
Feb-81	475.6
Mar-81	476.5
Apr-81	477.3

WATER CONSERVATION – SUMMARY – GROUND WATER

GROUND WATER FLUCTUATION:**Location : San Fernando Valley, Burbank****Ground Surface Elevation: 546.5 ft above MSL**

STATION	3872H
	WS Elev.
May-81	475.8
Jun-81	476.4
Jul-81	476.2
Aug-81	476.2
Sep-81	471.2
Oct-81	475.4
Dec-81	478.2
Jan-82	478.3
Feb-82	477.9
Mar-82	478.1
Apr-82	479.7
Jun-82	480.2
Jul-82	480.2
Sep-82	480.5
Oct-82	478.5
Nov-82	479.7
Dec-82	479.1
Feb-83	479.7
Mar-83	480.8
Apr-83	481.2
May-83	484.2
Jun-83	483.5
Jul-83	483.7
Aug-83	484
Sep-83	485.4
Oct-83	487.9
Nov-83	487.6
Dec-83	487.2
Jan-84	487.7
Feb-84	490.7
Mar-84	490

WATER CONSERVATION – SUMMARY – GROUND WATER

GROUND WATER FLUCTUATION:

Location : San Fernando Valley, Burbank

Ground Surface Elevation: 546.5 ft above MSL

STATION	3872H
	WS Elev.
Apr-84	491.9
May-84	490.3
Jun-84	489.9
Jul-84	490.3
Aug-84	488.5
Sep-84	487.7
Oct-84	487.8
Nov-84	486
Dec-84	486.2
Jan-85	487.4
May-85	489.2
Jun-85	489
Jul-85	488.7
Aug-85	487.9
Sep-85	488.5
Oct-85	487.8
Nov-85	487.6
Dec-85	487.3
Jan-86	487.9
Feb-86	489.3
Mar-86	489.5
Apr-86	489.2
May-86	489.2
Jun-86	488.8
Jul-86	489.2
Aug-86	488.8
Sep-86	488.9
Oct-86	489.3
Nov-86	489.5
Dec-86	489.8
Jan-87	489.2

WATER CONSERVATION – SUMMARY – GROUND WATER

GROUND WATER FLUCTUATION:

Location : San Fernando Valley, Burbank

Ground Surface Elevation: 546.5 ft above MSL

STATION	3872H
	WS Elev.
Feb-87	490.4
Mar-87	490.7
Apr-87	488.9
May-87	489.5
Jun-87	491.4
Aug-87	488
Sep-87	487.1
Oct-87	486.8
Nov-87	486.2
Jan-88	485.2
Feb-88	485
Mar-88	485.4
Apr-88	483.9
May-88	483.4
Jun-88	483
Jul-88	482.1
Aug-88	481.7
Sep-88	481.1
Oct-88	480.9
Nov-88	480.4
Dec-88	480
Jan-89	479.7
Feb-89	479.4
Mar-89	478.8
Apr-89	478.5
May-89	477.8
Jun-89	477.6
Jul-89	477.3
Aug-89	476.6
Sep-89	475.9
Oct-89	475.7

WATER CONSERVATION – SUMMARY – GROUND WATER

GROUND WATER FLUCTUATION:**Location : San Fernando Valley, Burbank****Ground Surface Elevation: 546.5 ft above MSL**

STATION	3872H
	WS Elev.
Nov-89	475.9
Dec-89	475.8
Jan-90	476.1
Feb-90	476.6
Mar-90	476.9
Apr-90	476.7
May-90	476.6
Jun-90	474.5
Aug-90	473.6
Sep-90	472.8
Oct-90	473.2
Nov-90	472.8
Dec-90	473.9
Jan-91	473.5
Feb-91	473.8
May-91	472.7
Jun-91	472
Jul-91	470.8
Aug-91	471.4
Sep-91	470.6
Oct-91	470.6
Nov-91	469.6
Dec-91	469.7
Jan-92	469.8
Mar-92	469.5
Apr-92	469.5
May-92	469
Jun-92	469
Jul-92	468.4
Nov-92	463.2
Dec-92	461.6

WATER CONSERVATION – SUMMARY – GROUND WATER

GROUND WATER FLUCTUATION:**Location : San Fernando Valley, Burbank****Ground Surface Elevation: 546.5 ft above MSL**

STATION	3872H
	WS Elev.
Jul-93	473.7
Sep-93	467
Oct-93	468.4
Nov-93	467.5
Dec-93	468.1
Feb-94	479.2
Mar-94	474
Apr-94	472
May-94	480.9
Jun-94	478
Jul-94	473.5
Aug-94	473
Sep-94	473.7
Oct-94	473.7
Nov-94	472.5
Dec-94	476.7
Jan-95	473.7
Feb-95	474.3
Mar-95	474.7
Apr-95	474.5
May-95	474.6
Jun-95	475.1
Jul-95	475.2
Sep-95	475.1
Oct-95	476.6
Nov-95	485.6
Dec-95	477.3
Jan-96	476.7
Feb-96	483.4
Mar-96	484.1
Apr-96	483.3

WATER CONSERVATION – SUMMARY – GROUND WATER

GROUND WATER FLUCTUATION:**Location : San Fernando Valley, Burbank****Ground Surface Elevation: 546.5 ft above MSL**

STATION	3872H
	WS Elev.
May-96	477.2
Jun-96	475.9
Jul-96	474.9
Aug-96	474.6
Sep-96	473.4
Oct-96	482
Nov-96	475.4
Dec-96	478.2
Jan-97	483.1
Mar-97	483.1
Apr-97	483.2
May-97	474.7
Jun-97	477.6
Aug-97	478
Sep-97	471.1
Dec-97	477.6
Jan-98	478.6
Feb-98	478.6
Mar-98	479.8
Apr-98	471
May-98	470.7
Jun-98	471.3
Jul-98	472.9
Aug-98	471.2
Sep-98	475.2
Oct-98	471.6
Nov-98	471.6
Dec-98	480.5
Mar-99	480
Apr-99	479.4
May-99	472.9

WATER CONSERVATION – SUMMARY – GROUND WATER

GROUND WATER FLUCTUATION:**Location : San Fernando Valley, Burbank****Ground Surface Elevation: 546.5 ft above MSL**

STATION	3872H
	WS Elev.
Jun-99	469.9
Jul-99	466.2
Aug-99	469.7
Sep-99	463.1
Dec-99	465.3
Jan-00	468.6
Feb-00	468.2
Mar-00	467.9
May-00	457.7
Jun-00	456.5
Aug-00	464.8
Oct-00	455.5
Nov-00	454.6
Dec-00	454.9
01-Jan	454.1
01-Feb	454.5
01-Mar	463.7
01-Apr	458.8
01-Jun	463.9
01-Jul	463.7
01-Aug	463.4
01-Sep	462.7
01-Oct	462.6
01-Nov	462.4
01-Dec	462.4
02-Jan	462.9
02-Feb	463.1
02-Mar	462.9
02-Apr	462.6
02-Jul	461.4
02-Sep	460.6

WATER CONSERVATION – SUMMARY – GROUND WATER

GROUND WATER FLUCTUATION:

Location : San Fernando Valley, Burbank

Ground Surface Elevation: 546.5 ft above MSL

STATION	3872H
	WS Elev.

WATER CONSERVATION – SUMMARY – GROUND WATER

GROUND WATER FLUCTUATION:**Location: Raymond Basin****Ground Surface Elevation: 749.9 ft above MSL**

STATION	4057H
	WS Elev.
Jan-52	639.3
Feb-52	642.1
Aug-52	642.3
Sep-52	641.1
Oct-52	640.5
Nov-52	640.1
Dec-52	640.2
Jan-53	641.1
Feb-53	640.1
Mar-53	640.6
Apr-53	641.3
May-53	641.4
Jun-53	641.5
Jul-53	640.2
Aug-53	640.2
Sep-53	640.3
Oct-53	639.4
Nov-53	636.9
Dec-53	639.5
Jan-54	641.9
Mar-54	640.4
Apr-54	639.5
May-54	640.7
Jun-54	637.7
Jul-54	640.4
Aug-54	640.5
Sep-54	638
Oct-54	640.3
Nov-54	640.3
Dec-54	641
Jan-55	638.2

WATER CONSERVATION – SUMMARY – GROUND WATER

GROUND WATER FLUCTUATION:**Location: Raymond Basin****Ground Surface Elevation: 749.9 ft above MSL**

STATION	4057H
	WS Elev.
Feb-55	642.3
Mar-55	642
Apr-55	643
May-55	641.1
Jun-55	643.9
Jul-55	644.5
Aug-55	643.8
Sep-55	642.2
Oct-55	644.1
Nov-55	643.4
Dec-55	642.9
Jan-56	644.9
Feb-56	645.1
Mar-56	643.5
Apr-56	642.6
May-56	640.2
Jun-56	640.9
Jul-56	642
Aug-56	640.6
Sep-56	639.9
Oct-56	639.5
Nov-56	638.7
Dec-56	638.1
Jan-57	637.9
Feb-57	637.3
Mar-57	637
Apr-57	636.9
May-57	636.4
Jun-57	637.3
Jul-57	640
Aug-57	637.3

WATER CONSERVATION – SUMMARY – GROUND WATER
--

GROUND WATER FLUCTUATION:**Location: Raymond Basin****Ground Surface Elevation: 749.9 ft above MSL**

STATION	4057H
	WS Elev.
Sep-57	635.9
Oct-57	635.1
Nov-57	637.8
Dec-57	638.7
Jan-58	638.7
Feb-58	638.7
Mar-58	636.8
Apr-58	638
May-58	635
Jun-58	633.9
Jul-58	636.1
Aug-58	637
Sep-58	636.4
Oct-58	636.4
Nov-58	635.9
Dec-58	635.7
Jan-59	635.2
Feb-59	635
Mar-59	634.7
Apr-59	634.2
May-59	634
Jun-59	632.8
Jul-59	633
Aug-59	630.8
Sep-59	632.1
Oct-59	631.9
Nov-59	631.3
Dec-59	631.1
Jan-60	630.7
Feb-60	630.4
Mar-60	630.1

WATER CONSERVATION – SUMMARY – GROUND WATER
--

GROUND WATER FLUCTUATION:**Location: Raymond Basin****Ground Surface Elevation: 749.9 ft above MSL**

STATION	4057H
	WS Elev.
Apr-60	629.8
May-60	629.7
Jun-60	629.6
Jul-60	629.3
Aug-60	629.1
Sep-60	626.1
Oct-60	616.1
Nov-60	628
Dec-60	627.7
Jan-61	626.7
Feb-61	627.4
Mar-61	626.7
Apr-61	626.6
May-61	625.8
Jun-61	625.7
Jul-61	625.4
Aug-61	624.9
Sep-61	624.3
Oct-61	623.9
Nov-61	622.4
Dec-61	622.4
Jan-62	622.7
Feb-62	622.6
Mar-62	622.2
Apr-62	619.3
May-62	618.4
Jun-62	616.2
Jul-62	618.4
Aug-62	618.6
Sep-62	618.5
Oct-62	618.4

WATER CONSERVATION – SUMMARY – GROUND WATER

GROUND WATER FLUCTUATION:**Location: Raymond Basin****Ground Surface Elevation: 749.9 ft above MSL**

STATION	4057H
	WS Elev.
Nov-62	617.9
Dec-62	617.7
Jan-63	617.2
Feb-63	616.7
Mar-63	616.5
Apr-63	616
May-63	614.1
Jun-63	614.5
Jul-63	614.8
Aug-63	614.1
Sep-63	613.6
Oct-63	610.8
Nov-63	611.7
Dec-63	612.1
Jan-64	611.3
Feb-64	610.9
Mar-64	610.9
Apr-64	610.3
May-64	609.9
Jun-64	608.9
Jul-64	608.9
Aug-64	607.8
Sep-64	607.9
Oct-64	607.7
Nov-64	607.3
Dec-64	606.2
Jan-65	606.2
Feb-65	606
Mar-65	605.6
Apr-65	605.4
May-65	605.2

WATER CONSERVATION – SUMMARY – GROUND WATER

GROUND WATER FLUCTUATION:**Location: Raymond Basin****Ground Surface Elevation: 749.9 ft above MSL**

STATION	4057H
	WS Elev.
Jun-65	604.9
Jul-65	604.7
Aug-65	604.4
Sep-65	604.1
Oct-65	603.7
Nov-65	603.3
Dec-65	602.9
Jan-66	602.4
Feb-66	602.2
Mar-66	601.8
Apr-66	601.4
May-66	598.3
Jun-66	600.8
Jul-66	596.9
Aug-66	593.9
Sep-66	591.8
Oct-66	591
Nov-66	590.2
Dec-66	588.8
Jan-67	587.8
Feb-67	587
Mar-67	586.6
Apr-67	585.9
May-67	585.4
Jun-67	584.9
Jul-67	583.2
Aug-67	584.5
Sep-67	584.1
Oct-67	583.7
Nov-67	583.6
Dec-67	583.3

WATER CONSERVATION – SUMMARY – GROUND WATER
--

GROUND WATER FLUCTUATION:**Location: Raymond Basin****Ground Surface Elevation: 749.9 ft above MSL**

STATION	4057H
	WS Elev.
Jan-68	582.9
Feb-68	582.5
Mar-68	582.7
Apr-68	582.7
May-68	582.1
Jun-68	581.6
Jul-68	581.4
Aug-68	581.9
Sep-68	581.4
Oct-68	581.3
Nov-68	581.5
Dec-68	581.1
Jan-69	580.4
Feb-69	581.3
Mar-69	581.4
Apr-69	581.1
May-69	581.3
Jun-69	581.6
Jul-69	578.9
Aug-69	578.5
Sep-69	584.1
Oct-69	584.5
Nov-69	585.2
Dec-69	585.9
Jan-70	586.5
Feb-70	586.9
Mar-70	587.4
Apr-70	587.7
May-70	588.2
Jun-70	588.3
Jul-70	588.6

WATER CONSERVATION – SUMMARY – GROUND WATER
--

GROUND WATER FLUCTUATION:**Location: Raymond Basin****Ground Surface Elevation: 749.9 ft above MSL**

STATION	4057H
	WS Elev.
Aug-70	588
Sep-70	587.9
Oct-70	589.9
Nov-70	590.3
Dec-70	591.7
Jan-71	590.9
Feb-71	591.4
Mar-71	591.3
Apr-71	592.1
May-71	592.9
Jun-71	593.4
Jul-71	592.9
Aug-71	594.5
Sep-71	595.1
Oct-71	591.5
Nov-71	595.9
Dec-71	596.1
Jan-72	596.4
Feb-72	596.8
Mar-72	596.9
Apr-72	596.6
May-72	596.1
Jun-72	596.8
Jul-72	597.3
Aug-72	597.4
Sep-72	597.7
Oct-72	598.1
Nov-72	598.6
Dec-72	598.7
Jan-73	598.9
Feb-73	599.1

WATER CONSERVATION – SUMMARY – GROUND WATER
--

GROUND WATER FLUCTUATION:**Location: Raymond Basin****Ground Surface Elevation: 749.9 ft above MSL**

STATION	4057H
	WS Elev.
Mar-73	599.2
Apr-73	599.6
May-73	599.7
Jun-73	595.9
Jul-73	600.2
Aug-73	600.6
Sep-73	600.8
Oct-73	600.8
Nov-73	601.3
Dec-73	601.6
Jan-74	602
Feb-74	602.3
Mar-74	601.1
Apr-74	602.7
May-74	604.2
Jun-74	603.2
Jul-74	603.4
Aug-74	604.3
Sep-74	604.4
Oct-74	604.9
Nov-74	604.8
Dec-74	599.7
Jan-75	604.2
Feb-75	604
Mar-75	604.7
Apr-75	605.6
May-75	604
Jun-75	603.6
Jul-75	605.1
Aug-75	603.3
Sep-75	603.2

WATER CONSERVATION – SUMMARY – GROUND WATER
--

GROUND WATER FLUCTUATION:**Location: Raymond Basin****Ground Surface Elevation: 749.9 ft above MSL**

STATION	4057H
	WS Elev.
Oct-75	604.8
Nov-75	603.8
Dec-75	602.8
Jan-76	602.3
Feb-76	602.5
Mar-76	602
Apr-76	601.9
May-76	601.6
Jun-76	601.6
Jul-76	601.4
Aug-76	601.3
Sep-76	601.5
Oct-76	601.6
Nov-76	601.2
Dec-76	601.2
Jan-77	601
Feb-77	600.9
Mar-77	600.9
Apr-77	600.8
May-77	600.6
Jun-77	604.4
Jul-77	600.3
Aug-77	599.4
Sep-77	599.9
Oct-77	609.7
Nov-77	599
Dec-77	599
Jan-78	597.1
Feb-78	598.1
Mar-78	597.9
May-78	597.6

WATER CONSERVATION – SUMMARY – GROUND WATER
--

GROUND WATER FLUCTUATION:**Location: Raymond Basin****Ground Surface Elevation: 749.9 ft above MSL**

STATION	4057H
	WS Elev.
Jun-78	597.5
Aug-78	597.9
Sep-78	598.8
Oct-78	597.9
Dec-78	598
Mar-79	598.2
Jul-79	598.2
Oct-79	598.4
Dec-79	598.7
Apr-80	598
Aug-80	597.8
Nov-80	597.3
Jan-81	597.1
Mar-81	597.1
Apr-81	598.9
May-81	597
Jun-81	597.1
Aug-81	597.3
Sep-81	597.6
Nov-81	597.9
Feb-82	598.4
Apr-82	600.9
May-82	598.9
Jun-82	598.7
Jul-82	598.9
Aug-82	590
Sep-82	588.3
Oct-82	598.9
Nov-82	602.9
Dec-82	591.9
Jan-83	592.6

WATER CONSERVATION – SUMMARY – GROUND WATER
--

GROUND WATER FLUCTUATION:**Location: Raymond Basin****Ground Surface Elevation: 749.9 ft above MSL**

STATION	4057H
	WS Elev.
Feb-83	598.4
Mar-83	598
Apr-83	597.8
May-83	597.7
Jun-83	597.4
Jul-83	597.4
Aug-83	597.4
Sep-83	597.6
Oct-83	597.5
Nov-83	597.2
Dec-83	597.5
Jan-84	597.6
Feb-84	597.3
Mar-84	597.3
Apr-84	597.3
May-84	597.3
Jun-84	596.9
Jul-84	597.4
Aug-84	595.9
Sep-84	596.1
Oct-84	599
Nov-84	595.9
Dec-84	591.4
Jan-85	596.4
Feb-85	595.9
Mar-85	596.4
Apr-85	598
May-85	596.4
Jun-85	595.9
Jul-85	596.9
Aug-85	596.1

WATER CONSERVATION – SUMMARY – GROUND WATER
--

GROUND WATER FLUCTUATION:**Location: Raymond Basin****Ground Surface Elevation: 749.9 ft above MSL**

STATION	4057H
	WS Elev.
Sep-85	595.9
Oct-85	593.9
Dec-85	597.4
Jan-86	597.4
Mar-86	596.4
Apr-86	592.9
May-86	615.4
Jun-86	596.9
Jul-86	596.9
Aug-86	593.4
Sep-86	603.9
Oct-86	593.4
Nov-86	597.4
Dec-86	579
Jan-87	592.4
Feb-87	594.9
Mar-87	594.9
Apr-87	585.3
May-87	597.1
Jun-87	597.2
Jul-87	590.4
Aug-87	596
Sep-87	595.9
Oct-87	595.2
Nov-87	594.7
Dec-87	594.5
Jan-88	593.9
Feb-88	593.3
Mar-88	592.8
Apr-88	592.6
May-88	592.3

WATER CONSERVATION – SUMMARY – GROUND WATER

GROUND WATER FLUCTUATION:**Location: Raymond Basin****Ground Surface Elevation: 749.9 ft above MSL**

STATION	4057H
	WS Elev.
Jun-88	591.8
Jul-88	591.7
Aug-88	591.5
Sep-88	591.2
Oct-88	590.9
Nov-88	590.8
Dec-88	590.4
Jan-89	590.1
Feb-89	589.8
Mar-89	589.3
Apr-89	589.1
May-89	589
Jun-89	588.8
Jul-89	588.4
Aug-89	588.2
Sep-89	587.9
Oct-89	583.2
Nov-89	587.2
Dec-89	587.1
Jan-90	586.7
Feb-90	586.4
Mar-90	586.4
Apr-90	582.4
May-90	586
Jun-90	584
Jul-90	585.9
Aug-90	580.6
Sep-90	585.8
Oct-90	585.8
Nov-90	585.8
Dec-90	585.8

WATER CONSERVATION – SUMMARY – GROUND WATER

GROUND WATER FLUCTUATION:**Location: Raymond Basin****Ground Surface Elevation: 749.9 ft above MSL**

STATION	4057H
	WS Elev.
Jan-91	585.8
Feb-91	585.9
Apr-91	581.2
May-91	586.3
Jun-91	586.5
Jul-91	586.8
Aug-91	574.8
Sep-91	587.9
Oct-91	586.7
Nov-91	586.6
Dec-91	586.6
Jan-92	586.6
Mar-92	586.7
Apr-92	586.8
May-92	587.1
Jun-92	587.1
Jul-92	581.6
Aug-92	577
Sep-92	570
Oct-92	589
Nov-92	589
Dec-92	589
Feb-93	579.9
Mar-93	584.1
Apr-93	577.7
May-93	573.7
Jun-93	569.9
Aug-93	572.7
Sep-93	594.4
Oct-93	576.4
Nov-93	585.6

WATER CONSERVATION – SUMMARY – GROUND WATER
--

GROUND WATER FLUCTUATION:**Location: Raymond Basin****Ground Surface Elevation: 749.9 ft above MSL**

STATION	4057H
	WS Elev.
Dec-93	577.2
Jan-94	598.4
Feb-94	597.9
Mar-94	598.4
Apr-94	598.4
May-94	600.1
Jun-94	600.9
Jul-94	601.9
Aug-94	602.4
Sep-94	603.2
Oct-94	604
Nov-94	604.9
Dec-94	608.4
Jan-95	609.2
Feb-95	609.7
Mar-95	609.9
Apr-95	583.2
May-95	611.1
Jun-95	611.9
Jul-95	612.4
Aug-95	612.7
Sep-95	613.2
Oct-95	613.2
Dec-95	613.7
Jan-96	613.9
Feb-96	614.2
Mar-96	614.4
Apr-96	614.5
May-96	614.8
Jun-96	615
Jul-96	615.1

WATER CONSERVATION – SUMMARY – GROUND WATER
--

GROUND WATER FLUCTUATION:**Location: Raymond Basin****Ground Surface Elevation: 749.9 ft above MSL**

STATION	4057H
	WS Elev.
Aug-96	616.2
Sep-96	615.1
Oct-96	614.7
Nov-96	614.8
Dec-96	614.4
Jan-97	614.5
Feb-97	614.6
Mar-97	614.5
Apr-97	614.8
May-97	614.9
Jun-97	615.1
Jul-97	613.7
Aug-97	615.2
Sep-97	615.1
Dec-97	614.9
Jan-98	614.7
Feb-98	614.8
Mar-98	614.9
May-98	615.2
Jun-98	615.4
Jul-98	615.5
Aug-98	615.4
Sep-98	615.1
Oct-98	614.7
Nov-98	614.4
Dec-98	614.1
Jan-99	613.8
Feb-99	613.4
Mar-99	613.5
Apr-99	613.5
May-99	613.1

WATER CONSERVATION – SUMMARY – GROUND WATER
--

GROUND WATER FLUCTUATION:**Location: Raymond Basin****Ground Surface Elevation: 749.9 ft above MSL**

STATION	4057H
	WS Elev.
Jun-99	613.1
Jul-99	612.9
Aug-99	612.8
Sep-99	612.9
01-Jan	613.4
01-Feb	613.6
01-Mar	613.9
01-Apr	613.9
01-Jun	615.5
01-Jul	686.7
01-Aug	615.3
01-Sep	615.5
01-Oct	615.3
01-Dec	615.6
02-Jan	615.6
02-Feb	615.6
02-Mar	616
02-Apr	616.1
02-May	664.9
02-Jul	617.4
02-Sep	618.6

WATER CONSERVATION – SUMMARY – GROUND WATER

GROUND WATER FLUCTUATION:

Location: San Gabriel Canyon Basin, North of Azusa

Ground Surface Elevation: 658.8 ft above MSL

STATION	4284A	4285
	WS Elev.	WS Elev.
Jan-64	602.1	597.9
Feb-64	611.9	610.5
Mar-64	616.9	608.4
Apr-64	619.8	616
May-64	631.3	630.7
Jun-64	623.1	617.6
Jul-64	611.4	605
Aug-64	606.3	602.7
Sep-64	606.7	605.9
Oct-64	614.6	613.1
Nov-64	613.3	606.9
Dec-64	612.4	599
Jan-65	613.7	610.3
Feb-65	611.7	606.2
Mar-65	593.6	583.8
Apr-65	591.9	575.7
May-65	642.7	633.3
Jun-65	653.1	635.3
Jul-65	651.9	639.5
Aug-65	653.1	639.3
Sep-65	654.7	638.4
Oct-65	652.2	641.6
Nov-65	656.1	632.8
Dec-65	662.8	638.1
Jan-66	665	650.7
Feb-66	659.8	654.8
Mar-66	665.7	647.1
Apr-66	644.4	639.9
May-66	644.4	634.1
Jun-66		623.8
Jul-66	631.8	621.9

WATER CONSERVATION – SUMMARY – GROUND WATER

GROUND WATER FLUCTUATION:

Location: San Gabriel Canyon Basin, North of Azusa

Ground Surface Elevation: 658.8 ft above MSL

STATION	4284A	4285
	WS Elev.	WS Elev.
Aug-66	630.1	
Sep-66	629.7	
Oct-66	639	
Nov-66	639.8	
Dec-66	639.2	651.3
Jan-67	658.9	648.9
Feb-67	671.4	657.3
Mar-67	660.7	645.1
Apr-67	660.9	643.5
May-67	653.4	645.4
Jun-67	651.3	639.7
Jul-67	644.6	634.1
Aug-67	644.6	617.3
Sep-67	619.7	597.9
Oct-67	622.3	617.5
Nov-67	642	627.1
Dec-67	632.3	632.1
Jan-68	654.9	648.4
Feb-68	644.4	642.4
Mar-68	642.7	639.9
Apr-68	651	644.1
May-68	635.7	632.1
Jun-68	626.5	620.6
Jul-68	624.6	620.3
Aug-68	639.7	618.9
Sep-68	606.4	602.5
Oct-68	601.6	
Nov-68	629.6	594
Dec-68	582.9	573.5
Jan-69	599.2	578.5
Feb-69	642.2	620.1

WATER CONSERVATION – SUMMARY – GROUND WATER

GROUND WATER FLUCTUATION:

Location: San Gabriel Canyon Basin, North of Azusa

Ground Surface Elevation: 658.8 ft above MSL

STATION	4284A	4285
	WS Elev.	WS Elev.
Mar-69	652.7	638
Apr-69	649.3	631.6
May-69	656.9	644
Jun-69	662.6	653
Jul-69	659.8	647.1
Aug-69	652.3	650.1
Sep-69	631.3	638.3
Oct-69	631.3	629.6
Nov-69	631.9	625.7
Dec-69	649.2	641.5
Jan-70	656.6	647.5
Feb-70	649.7	639.5
Mar-70	645	641.9
Apr-70	663.5	649.3
May-70	642.8	644.3
Jun-70	641.3	631.1
Jul-70	630.8	617.5
Aug-70	622.6	595.5
Sep-70	611.6	597.8
Oct-70	609.2	595.5
Nov-70	611.1	594.2
Dec-70	611.8	612
Jan-71	661.5	647.7
Feb-71	664	650.7
Mar-71	662.9	647.6
Apr-71	648.4	642.7
May-71	652.9	626.5
Jun-71	619.4	605.6
Jul-71	606.4	589.2
Aug-71	598	578.3
Sep-71	595.9	572.9

WATER CONSERVATION – SUMMARY – GROUND WATER

GROUND WATER FLUCTUATION:

Location: San Gabriel Canyon Basin, North of Azusa

Ground Surface Elevation: 658.8 ft above MSL

STATION	4284A	4285
	WS Elev.	WS Elev.
Oct-71	597.3	575.9
Nov-71	593.4	577.7
Dec-71	586.6	566.3
Jan-72	600.9	571.6
Feb-72	654.4	644.9
Mar-72	647.9	645.4
Apr-72	630	622.7
May-72	605	594.7
Jun-72	596.4	582.3
Jul-72	574.6	558.4
Aug-72	558.2	547.5
Sep-72	556.2	548.9
Oct-72	553.9	537.9
Nov-72	555.4	525.3
Dec-72	627.5	599.6
Jan-73	621.3	
Feb-73	639.3	605.1
Mar-73	664	646.3
Apr-73	664.1	649.8
May-73	661.2	651.3
Jun-73	643.4	645.7
Jul-73	642.4	626.8
Aug-73	642.2	622
Sep-73	633.4	617.7
Oct-73	629.9	611.6
Nov-73	635.9	619.4
Dec-73	653.2	637.2
Jan-74	660.7	639.2
Feb-74		649.1
Mar-74	656.2	630.1
Apr-74		642.1

WATER CONSERVATION – SUMMARY – GROUND WATER

GROUND WATER FLUCTUATION:

Location: San Gabriel Canyon Basin, North of Azusa

Ground Surface Elevation: 658.8 ft above MSL

STATION	4284A	4285
	WS Elev.	WS Elev.
May-74	653.2	642.4
Jun-74		631.4
Jul-74		635.3
Aug-74	642.2	631.1
Sep-74	639.1	622.9
Oct-74	636.7	622.8
Nov-74	626.1	626
Dec-74		608.5
Jan-75	614.2	601.4
Feb-75	611.9	597
Mar-75	622.2	614.7
Apr-75	629.7	637.6
May-75	660.2	636.4
Jun-75	658.9	632.6
Jul-75	639.9	627.7
Aug-75	629.2	617
Sep-75	629.2	605.9
Oct-75	631	608.8
Nov-75		616.3
Dec-75	620.1	593
Jan-76	619.7	580
Feb-76	602.6	576.3
Mar-76	635.1	601.4
Apr-76	649.3	643
May-76	630.7	614.7
Jun-76	608.5	601.7
Jul-76	607.9	595.8
Aug-76	608.9	596.8
Sep-76	605.6	590.5
Oct-76	638.3	600.8
Nov-76		617.3

WATER CONSERVATION – SUMMARY – GROUND WATER

GROUND WATER FLUCTUATION:

Location: San Gabriel Canyon Basin, North of Azusa

Ground Surface Elevation: 658.8 ft above MSL

STATION	4284A	4285
	WS Elev.	WS Elev.
Dec-76	600.7	601.4
Jan-77	608.1	579.7
Feb-77	647.7	629
Mar-77	607	598.6
Apr-77	595.2	584.9
May-77	592.4	585.1
Jun-77	597.1	584.5
Jul-77	598.3	582.4
Aug-77	593.1	578.8
Sep-77	596.9	575.9
Oct-77	600.3	582.6
Nov-77	598.1	579.4
Dec-77	632.3	588.6
Jan-78	639.4	628.3
Feb-78	656.6	643.2
Mar-78	666	646.5
Apr-78	659	642.8
May-78	654.5	648
Jun-78	654.5	642.5
Jul-78	650.4	636.7
Aug-78	641.8	634.7
Sep-78	642.8	619.1
Oct-78	639	625.3
Nov-78	628	619
Dec-78	632.7	616.1
Jan-79	644.3	640.2
Feb-79	651.1	641.9
Mar-79	647.9	637.1
Apr-79	649	639.1
May-79	646.2	627
Jun-79	642.1	

WATER CONSERVATION – SUMMARY – GROUND WATER

GROUND WATER FLUCTUATION:

Location: San Gabriel Canyon Basin, North of Azusa

Ground Surface Elevation: 658.8 ft above MSL

STATION	4284A	4285
	WS Elev.	WS Elev.
Jul-79	637.7	625.9
Aug-79	631.1	
Sep-79	622.4	611
Oct-79	624.8	
Nov-79	621.9	610.1
Dec-79	628.9	610.1
Jan-80	615.4	
Feb-80	628.5	612.3
Mar-80	648.5	634.6
Apr-80	651.8	637.2
May-80	652.2	644.5
Jun-80	650.6	637.2
Jul-80	649.1	628.3
Aug-80	641.2	630.3
Sep-80	640.6	619.8
Oct-80	643.6	620.1
Nov-80	664	625.7
Dec-80	637.5	623.3
Jan-81	631.8	622.1
Feb-81	624.8	607.4
Mar-81	623.9	608.1
Apr-81	638	606.4
May-81	615	590
Jun-81	607.2	575.9
Jul-81	584.5	556.9
Aug-81	578.3	555
Sep-81	584.2	555.6
Oct-81	582.4	566.2
Nov-81	598.3	577.6
Dec-81	606	594.1
Jan-82	623.7	610.1

WATER CONSERVATION – SUMMARY – GROUND WATER

GROUND WATER FLUCTUATION:

Location: San Gabriel Canyon Basin, North of Azusa

Ground Surface Elevation: 658.8 ft above MSL

STATION	4284A	4285
	WS Elev.	WS Elev.
Feb-82	630.7	620.1
Mar-82	636.4	625.8
Apr-82	637.3	620.3
May-82	635.9	608.7
Jun-82	626.4	613.4
Jul-82	636.5	606.4
Aug-82	620.5	596.7
Sep-82	617.1	604.2
Oct-82	628	620.2
Nov-82	637	622
Dec-82	639.6	632
Jan-83	636	628.4
Feb-83	647.2	629.7
Mar-83	652.4	640.4
Apr-83	652.3	640.2
May-83	651.6	641.4
Jun-83	651.3	634.5
Jul-83	647.8	631.6
Aug-83	641	622.3
Sep-83	630.6	613.5
Oct-83	631.7	615.3
Nov-83	646.6	631.7
Dec-83	645.2	632.9
Jan-84	643.3	628.8
Feb-84	642.9	636
Mar-84	639.8	626.4
Apr-84	626.4	621.3
May-84	617.7	
Jun-84	600.8	589.9
Jul-84	596.5	
Aug-84	579.9	572.3

WATER CONSERVATION – SUMMARY – GROUND WATER

GROUND WATER FLUCTUATION:**Location: San Gabriel Canyon Basin, North of Azusa****Ground Surface Elevation: 658.8 ft above MSL**

STATION	4284A	4285
	WS Elev.	WS Elev.
Sep-84	572	567.3
Oct-84		563.3
Nov-84	573.4	562
Dec-84	570	558.5
Jan-85	609.4	565.7
Feb-85	642.8	627.6
Mar-85		622.3
Apr-85	597	
Jun-85	618.7	
Jul-85	612.3	599.6
Aug-85	594	573.8
Sep-85	588.3	
Oct-85	621	571.8
Nov-85	629.2	619.6
Dec-85	643.7	623.5
Jan-86	647.7	630.8
Feb-86	651.3	634.9
Mar-86	648.3	638.4
Apr-86	645.7	637.9
May-86	646.6	635.3
Jun-86	639.4	625.7
Jul-86	623.3	606.3
Aug-86	616.9	599.9
Sep-86	598.5	
Oct-86	587.4	605.3
Nov-86	594	585.8
Dec-86	610.6	599.9
Jan-87	626.3	608.1
Feb-87	635.2	630.4
Mar-87	651	629.2
Apr-87	647.9	632.2

WATER CONSERVATION – SUMMARY – GROUND WATER

GROUND WATER FLUCTUATION:**Location: San Gabriel Canyon Basin, North of Azusa****Ground Surface Elevation: 658.8 ft above MSL**

STATION	4284A	4285
	WS Elev.	WS Elev.
May-87	636.4	
Jun-87	610.5	592.6
Jul-87	597.1	583
Aug-87	580.8	570.8
Sep-87	574	559.7
Oct-87	608	552.3
Nov-87	600.1	553.4
Dec-87	610.8	593.8
Jan-88	627.4	624.2
Feb-88	640	632.9
Mar-88	641.3	638.2
Apr-88	635.2	625.9
May-88	632.5	
Jun-88	641.6	
Aug-88	611.8	
Sep-88	605.6	
Oct-88	619	
Nov-88	612.4	605.1
Dec-88	616.3	
Jan-89	640.8	
May-89	653	
Aug-89	646.2	
Sep-89	644.9	
Oct-89	601	
Mar-90		620.1
Apr-90	650	
Oct-90	631	
Apr-91	643	636.6
May-91	636	
Jun-91	623	
Jul-91	629	

WATER CONSERVATION – SUMMARY – GROUND WATER

GROUND WATER FLUCTUATION:

Location: San Gabriel Canyon Basin, North of Azusa

Ground Surface Elevation: 658.8 ft above MSL

STATION	4284A	4285
	WS Elev.	WS Elev.
Aug-91	637	
Sep-91	641	629.4
Oct-91	635	
Nov-91	624	
Dec-91	616	
Jan-92	619	
Feb-92	630	
Mar-92	642	619.3
Apr-92	650	599.1
Oct-92	629	
Nov-92		606.1
Mar-93		634.5
Apr-93	647	633.3
Oct-93	619	
May-94	591	
Nov-94	592.9	
May-95	591	
Nov-99	607	
May-00	646	
01-Mar	621	
01-Dec	631	

WATER CONSERVATION – SUMMARY – GROUND WATER

GROUND WATER FLUCTUATION:**Location: Upper Claremont Heights****Ground Surface Elevation: 1482.0 ft above MSL**

STATION	4508B	4508A
	WS Elev.	WS Elev.
Jan-60	1328.5	
Feb-60	1329.9	
Mar-60	1329	
Apr-60	1318.5	
May-60	1323.5	
Jun-60	1307.6	
Jul-60	1302.3	
Aug-60	1298.2	
Sep-60	1290.5	
Oct-60	1295.9	
Nov-60	1284.4	
Dec-60	1298.8	
Jan-61	1289.7	
Feb-61	1294.9	
Mar-61	1285.6	
Apr-61	1276.5	
May-61	1279	
Jun-61	1276	
Jul-61	1273.3	
Aug-61	1271	
Sep-61	1268	
Oct-61	1265.6	
Nov-61	1263.4	
Dec-61	1265.4	
Jan-62	1265.6	
Feb-62	1268.6	
Mar-62	1270.2	
Apr-62	1269.1	
May-62	1269.5	
Jun-62	1266.8	
Dec-62	1258.2	

WATER CONSERVATION – SUMMARY – GROUND WATER

GROUND WATER FLUCTUATION:

Location: Upper Claremont Heights

Ground Surface Elevation: 1482.0 ft above MSL

STATION	4508B	4508A
	WS Elev.	WS Elev.
Jan-63	1259.4	
Feb-63	1262.7	
Mar-63	1265.4	
Apr-63	1268.6	
May-63	1271.7	
Jun-63	1267.2	
Jul-63	1264.1	
Aug-63	1262.2	
Sep-63	1261.1	
Oct-63	1261	
Nov-63	1260.3	
Dec-63	1262.5	
Jan-64	1261.9	
Feb-64	1263.7	
Mar-64	1262.3	
Apr-64	1263.5	
May-64	1261.9	
Jun-64	1258.8	
Aug-64	1253.2	
Sep-64	1251.9	
Oct-64	1250.3	
Nov-64	1248.2	
Dec-64	1248.6	
Jan-65	1246.9	
Feb-65	1250.8	
Mar-65	1251	
Apr-65	1251.9	
May-65	1251.9	
Jun-65	1252.1	
Jul-65	1250	
Aug-65	1247.4	

WATER CONSERVATION – SUMMARY – GROUND WATER

GROUND WATER FLUCTUATION:**Location: Upper Claremont Heights****Ground Surface Elevation: 1482.0 ft above MSL**

STATION	4508B	4508A
	WS Elev.	WS Elev.
Sep-65	1246.1	
Oct-65	1244.3	
Nov-65	1247	
Dec-65	1244.8	
Jan-66	1245	
Feb-66	1247.6	
Mar-66	1253.1	
Apr-66	1288.3	
May-66	1320.4	
Jun-66	1338	
Jul-66	1351.7	
Aug-66	1355.8	
Sep-66	1357.7	
Oct-66	1350.8	
Nov-66	1348	
Dec-66	1346.9	
Jan-67	1349	
Feb-67	1355.3	
Mar-67	1363.2	
Apr-67	1371.1	
May-67	1381.4	
Jun-67	1386.3	
Jul-67	1401	
Aug-67	1404.1	
Sep-67	1402.2	
Oct-67	1395.8	
Nov-67	1391.8	
Dec-67	1387.6	
Jan-68	1385.4	
Feb-68	1382.5	
Mar-68	1380.2	

WATER CONSERVATION – SUMMARY – GROUND WATER

GROUND WATER FLUCTUATION:**Location: Upper Claremont Heights****Ground Surface Elevation: 1482.0 ft above MSL**

STATION	4508B	4508A
	WS Elev.	WS Elev.
Apr-68	1377.9	
May-68	1372	
Jun-68	1373.3	
Jul-68	1363.2	
Aug-68	1358.3	
Sep-68	1352.3	
Oct-68	1346.9	
Nov-68	1342.8	
Dec-68	1339.8	
Jan-69	1339.7	
Mar-69	1341.8	
Apr-69	1373.1	
May-69	1424.9	
Jun-69	1454.9	
Jul-69	1447.4	
Aug-69	1444.5	
Sep-69	1431.4	
Oct-69	1422.2	
Nov-69	1411.4	
Dec-69	1405.7	
Jan-70	1399.1	
Feb-70	1395.2	
Mar-70	1391	
Apr-70	1388.4	
May-70	1383.2	
Jun-70	1378.2	
Jul-70	1376	
Aug-70	1378.1	
Sep-70	1363.1	
Oct-70	1359.8	
Nov-70	1354.1	

WATER CONSERVATION – SUMMARY – GROUND WATER

GROUND WATER FLUCTUATION:**Location: Upper Claremont Heights****Ground Surface Elevation: 1482.0 ft above MSL**

STATION	4508B	4508A
	WS Elev.	WS Elev.
Dec-70	1351.2	
Jan-71	1352	
Feb-71	1352.1	
Mar-71	1352	
Apr-71	1349.8	
May-71	1337	
Jun-71	1330.1	
Jul-71	1325.3	
Aug-71	1326.6	
Sep-71	1312.1	
Oct-71	1310.5	
Nov-71	1319.6	
Dec-71	1318.8	
Jan-72	1319.3	
Feb-72	1319.6	
Mar-72	1314.7	
Apr-72	1299.8	
May-72	1311	
Jun-72	1297.7	
Jul-72	1292.4	
Aug-72	1290.1	
Sep-72	1287.3	
Oct-72	1287.6	
Nov-72	1286.5	
Dec-72	1296.1	
Jan-73	1298.2	
Feb-73	1300	
Mar-73	1302.1	
Apr-73	1303.7	
May-73	1298.1	
Jun-73	1304.8	

WATER CONSERVATION – SUMMARY – GROUND WATER

GROUND WATER FLUCTUATION:**Location: Upper Claremont Heights****Ground Surface Elevation: 1482.0 ft above MSL**

STATION	4508B	4508A
	WS Elev.	WS Elev.
Jul-73	1302.2	
Aug-73	1297.4	
Oct-73	1314.9	
Nov-73	1308.3	
Dec-73	1322.4	
Jan-74	1333.4	
Feb-74	1332.7	
Mar-74	1335.3	
Apr-74	1336.3	
May-74	1327.3	
Jun-74	1325.5	
Jul-74	1323	
Aug-74	1322.5	
Sep-74	1312.1	
Oct-74	1306.5	
Nov-74	1319.2	
Dec-74	1321.9	
Jan-75	1323.1	
Feb-75	1322.5	
Mar-75	1322.9	
Apr-75	1324.7	
May-75	1324.1	
Jun-75	1314.3	
Jul-75	1305.2	
Aug-75	1301.1	
Sep-75	1299.2	
Oct-75	1303.6	
Nov-75	1303.6	
Dec-75	1301.1	
Jan-76	1296.9	
Feb-76	1293.7	

WATER CONSERVATION – SUMMARY – GROUND WATER

GROUND WATER FLUCTUATION:

Location: Upper Claremont Heights

Ground Surface Elevation: 1482.0 ft above MSL

STATION	4508B	4508A
	WS Elev.	WS Elev.
Mar-76	1306.3	
Apr-76	1306.2	
May-76	1296.4	
Jun-76	1294.2	
Jul-76	1289	
Aug-76	1286.4	
Sep-76	1286.5	
Oct-76	1286.1	
Nov-76	1285.9	
Dec-76	1293.2	
Jan-77	1294.5	
Feb-77	1287.7	
Mar-77	1290.9	
Apr-77	1297.4	
May-77	1294.3	
Jun-77	1288.1	
Jul-77	1286	
Aug-77	1282.2	
Sep-77	1282	
Oct-77	1281.7	
Nov-77	1280.6	
Jan-78	1290.6	
Feb-78	1293.2	
Mar-78	1297.8	
Apr-78	1361.1	
May-78	1436.2	1438
Jun-78	1449.2	1443.1
Jul-78	1429.4	1434.2
Aug-78	1436.6	1437
Sep-78		1443
Oct-78	1420.5	1408

WATER CONSERVATION – SUMMARY – GROUND WATER

GROUND WATER FLUCTUATION:**Location: Upper Claremont Heights****Ground Surface Elevation: 1482.0 ft above MSL**

STATION	4508B	4508A
	WS Elev.	WS Elev.
Dec-78	1408.1	1397
Jan-79	1401.6	1385
Feb-79	1396.6	1391
Mar-79	1393.3	1385
Apr-79	1387.3	1381
May-79	1383.5	1376
Jun-79	1380.4	1374
Aug-79	1388.1	1383
Sep-79		1382
Oct-79	1384.2	1380
Nov-79	1381.9	1380
Dec-79	1379.1	1373.5
Jan-80	1376.8	
Feb-80		1373.5
Mar-80	1386.2	1385
Apr-80	1430.3	1430
May-80	1446.3	
Jul-80	1445.5	
Aug-80	1430.7	
Sep-80	1422.3	1408
Oct-80	1408.9	1402
Dec-80	1394.2	1387
Jan-81	1389.3	1382.5
Feb-81	1385.4	
Mar-81	1383.8	1380
Apr-81	1376.6	1368.5
May-81		1368.5
Sep-81		1344
Oct-81		1344
Nov-81		1342
Dec-81		1340

WATER CONSERVATION – SUMMARY – GROUND WATER

GROUND WATER FLUCTUATION:**Location: Upper Claremont Heights****Ground Surface Elevation: 1482.0 ft above MSL**

STATION	4508B	4508A
	WS Elev.	WS Elev.
Jan-82		1339.5
Feb-82		1339.5
Mar-82		1340
Apr-82		1340
May-82		1355
Sep-82		1376
Oct-82		1374.5
Nov-82		1373
Dec-82		1374.5
Jan-83		1370
Feb-83		1373
Mar-83		1403
Apr-83		1441.5
May-83		1450
Jun-83		1452
Apr-84		1391
May-84		1383.5
Jul-84		1376
Aug-84		1370
Sep-84		1364
Oct-84		1362
Nov-84		1360.4
Dec-84		1359
Jan-85		1358.4
Feb-85		1357
Mar-85		1356
Apr-85		1350
May-85		1346
Jun-85		1343.5
Jul-85		1318
Aug-85		1332.4

WATER CONSERVATION – SUMMARY – GROUND WATER

GROUND WATER FLUCTUATION:**Location: Upper Claremont Heights****Ground Surface Elevation: 1482.0 ft above MSL**

STATION	4508B	4508A
	WS Elev.	WS Elev.
Sep-85		1308
Oct-85		1326
Nov-85		1326
Jan-86		1324.4
Feb-86		1323
Mar-86		1328
Apr-86		1337
May-86		1324
Jun-86		1330
Jul-86		1332
Sep-86		1348
Oct-86		1349
Nov-86		1349.4
Dec-86		1346
Jan-87		1345
Feb-87		1341
Apr-87		1337
Oct-87		1283
Nov-87		1266
Dec-87		1274
Jan-88		1315
Feb-88		1317
Mar-88		1350
Apr-88		1297
May-88		1296
Jun-88		1288
Jul-88		1276
Aug-88		1264
Sep-88		1265
Oct-88		1298
Sep-89		1279

WATER CONSERVATION – SUMMARY – GROUND WATER

GROUND WATER FLUCTUATION:**Location: Upper Claremont Heights****Ground Surface Elevation: 1482.0 ft above MSL**

STATION	4508B	4508A
	WS Elev.	WS Elev.
Oct-89		1282
Nov-89		1280
Jan-90		1280.5
Feb-90		1297
Mar-90		1293
Apr-90		1279
Jul-90		1277
Aug-90		1274
Sep-90		1272
Oct-90		1289.5
Jan-91		1289.5
Feb-91		1292
Mar-91		1293
Apr-91		1290.7
Jun-91		1329
Oct-91		1296
Nov-91		1288
Dec-91		1292
Jan-92		1309
Feb-92		1310.5
Mar-92		1311
Apr-92		1310
May-92		1312
Jun-92		1333.5
Jul-92		1337
Aug-92		1349
Sep-92		1351
Oct-92		1351
Nov-92		1340
Dec-92		1348
Feb-93		1410

WATER CONSERVATION – SUMMARY – GROUND WATER

GROUND WATER FLUCTUATION:**Location: Upper Claremont Heights****Ground Surface Elevation: 1482.0 ft above MSL**

STATION	4508B	4508A
	WS Elev.	WS Elev.
Mar-93		1411
Apr-93		1418
Sep-93		1383.5
Oct-93		1377.7
Nov-93		1387
Dec-93		1395
Mar-94		1383.2
Apr-94		1378
May-94		1378
Jul-94		1311
Aug-94		1304
Sep-94		1301
Oct-94		1322
Oct-95		1344.1
Apr-96		1339
Oct-96		1337
Apr-97		1325
Oct-97		1339
Apr-98		1360
Oct-98		1396.5
Apr-99		1351
Oct-99		1330
May-00		1303
Nov-00		1300
01-Mar		1299

WATER CONSERVATION – SUMMARY – GROUND WATER

GROUND WATER FLUCTUATION:

Location: Santa Clarita Valley, Near Castaic Junction

Ground Surface Elevation: 1131.0 ft above MSL

STATION	7048A	7048C	7057P
	WS Elev.	WS Elev.	WS Elev.
Jan-64	1044.5		
Feb-64	1046.5		
Mar-64	1045.5		
Apr-64	1047		
May-64	1044.8		
Jun-64	1037.2		
Jul-64	1034.5		
Aug-64	1032.2		
Sep-64	1032.2		
Oct-64	1032.2		
Nov-64	1036.2		
Jan-65	1042.6		
Mar-65	1040.4		
Apr-65	1042.9		
May-65	1039.1		
Jul-65	1033.9		
Aug-65	1031.5		
Sep-65	1028.7		
Oct-65	1032.5		
Nov-65	1035.2		
Dec-65	1037.1		
Jan-66	1048.1		
Mar-66	1052.4		
Apr-66	1049.3		
May-66	1044.5		
Jun-66	1043.3		
Nov-66	1037		
Dec-66	1048.6		
Mar-67	1055		
Apr-67	1058.8		
May-67	1054.7		

WATER CONSERVATION – SUMMARY – GROUND WATER

GROUND WATER FLUCTUATION:

Location: Santa Clarita Valley, Near Castaic Junction

Ground Surface Elevation: 1131.0 ft above MSL

STATION	7048A	7048C	7057P
	WS Elev.	WS Elev.	WS Elev.
Jun-67	1052		
Aug-67	1047.9		
Sep-67	1046.4		
Oct-67	1049.2		
Nov-67	1045.7		
Dec-67	1055.2		
Jan-68	1059		
Feb-68	1062.5		
Mar-68	1063.4		
Apr-68	1060.4		
May-68	1056.3		
Jul-68	1052.5		
Aug-68	1051.9		
Sep-68	1055.1		
Oct-68	1056.8		
Nov-68	1058.7		
Dec-68	1059.5		
Jan-69	1060.1		
Feb-69	1062.4		
Mar-69	1085.9		
Apr-69	1086.2		
May-69	1094.2		
Jun-69	1093.1		
Jul-69	1091.9		
Aug-69	1084.8		
Sep-69	1084.5		
Oct-69	1088		
Nov-69	1085.8		
Dec-69	1086.3		
Jan-70	1084.1		
Feb-70	1088.1		

WATER CONSERVATION – SUMMARY – GROUND WATER

GROUND WATER FLUCTUATION:

Location: Santa Clarita Valley, Near Castaic Junction

Ground Surface Elevation: 1131.0 ft above MSL

STATION	7048A	7048C	7057P
	WS Elev.	WS Elev.	WS Elev.
Mar-70	1094.9		
Apr-70	1094		
May-70	1091.2		
Jun-70	1088.8		
Jul-70	1088.2		
Aug-70	1085		
Sep-70	1084.9		
Oct-70	1085.1		
Nov-70	1086.9		
Dec-70	1090.5		
Jan-71	1098.1		
Feb-71	1095.8		
Mar-71	1099.6		
Apr-71	1099.2		
May-71	1097.5		
Jun-71	1096.7		
Jul-71	1095.3		
Aug-71	1091.6		
Sep-71	1092.1		
Oct-71	1092		
Nov-71	1092.6		
Dec-71	1094.1		
Jan-72	1096.5		
Feb-72	1096.7		
Mar-72	1097.3		
Apr-72	1092.4		
May-72	1092.6		
Jun-72	1088.9		
Jul-72	1087.4		
Sep-72	1086.9		
Oct-72	1087.9		

WATER CONSERVATION – SUMMARY – GROUND WATER

GROUND WATER FLUCTUATION:

Location: Santa Clarita Valley, Near Castaic Junction

Ground Surface Elevation: 1131.0 ft above MSL

STATION	7048A	7048C	7057P
	WS Elev.	WS Elev.	WS Elev.
Nov-72	1089.5		
Dec-72	1092.9		
Jan-73	1093.1		
Feb-73	1095.3		
Mar-73	1097.6		
Apr-73	1098.5		
May-73	1094.9		
Jun-73	1092.7		
Jul-73	1089.3		
Aug-73	1087.4		
Sep-73	1087.9		
Oct-73	1090.3		
Nov-73	1088.5		
Dec-73	1091.3		
Jan-74	1096.5		
Feb-74	1093.8		
Mar-74	1094.1		
Apr-74	1095.8		
May-74	1096.5		
Jun-74	1094.6		
Jul-74	1090.3		
Aug-74	1093		
Sep-74	1093		
Dec-74	1092.4		
Jan-75	1093.3		
Feb-75	1094.6		
Mar-75	1094.5		
Apr-75	1096.5		
May-75	1096.5		
Jun-75	1092.2		
Jul-75	1089.1		

WATER CONSERVATION – SUMMARY – GROUND WATER

GROUND WATER FLUCTUATION:

Location: Santa Clarita Valley, Near Castaic Junction

Ground Surface Elevation: 1131.0 ft above MSL

STATION	7048A	7048C	7057P
	WS Elev.	WS Elev.	WS Elev.
Aug-75	1084.1		
Sep-75	1083.8		
Oct-75	1084.7		
Nov-75	1087.7		
Dec-75	1087.5		
Jan-76	1086.1		
Feb-76	1089.3		
Mar-76	1089.1		
Apr-76	1089.5		
May-76	1090.5		
Jun-76	1086.8		
Jul-76	1082.5		
Aug-76	1082.5		
Sep-76	1082.8		
Oct-76	1083.9		
Dec-76	1085.4		
Jan-77	1087.1		
Feb-77	1087		
Mar-77	1086		
May-77	1086.1		
Jun-77	1084.4		
Jul-77	1082.5		
Aug-77	1080.5		
Sep-77	1076.9		
Oct-77	1077.7		
Nov-77	1079.6		
Dec-77	1080		
Jan-78	1083.3		
Feb-78	1087.9		
Mar-78	1097.8		
Apr-78	1099.7		

WATER CONSERVATION – SUMMARY – GROUND WATER

GROUND WATER FLUCTUATION:

Location: Santa Clarita Valley, Near Castaic Junction

Ground Surface Elevation: 1131.0 ft above MSL

STATION	7048A	7048C	7057P
	WS Elev.	WS Elev.	WS Elev.
May-78	1097.2		
Jun-78	1094.6		
Jul-78	1091.7		
Aug-78	1089.5		
Sep-78	1087.6		
Oct-78	1089.7		
Dec-78	1087.9		
Jan-79	1093.4		
Feb-79	1097.3		
Mar-79	1100.7		
Apr-79	1098.3		
May-79	1095.9		
Jun-79	1093.5		
Jul-79	1090.3		
Sep-79	1088.9		
Oct-79	1091.5		
Dec-79	1093.7		
Jan-80	1097.3		
Mar-80	1106.8		
May-80	1107		
Jun-80	1104.6		
Jul-80	1104.1		
Aug-80	1103.2		
Sep-80	1101.3		
Oct-80	1096.6		
Nov-80	1100.1		
Dec-80	1100.2		
Jan-81	1100.9		
Feb-81	1103.3		
Apr-81	1102.5		
May-81	1103.5		

WATER CONSERVATION – SUMMARY – GROUND WATER

GROUND WATER FLUCTUATION:

Location: Santa Clarita Valley, Near Castaic Junction

Ground Surface Elevation: 1131.0 ft above MSL

STATION	7048A	7048C	7057P
	WS Elev.	WS Elev.	WS Elev.
Jun-81	1100.7		
Jul-81	1100.4		
Aug-81	1099.9		
Sep-81	1099		
Oct-81	1099.4		
Nov-81	1100.4		
Dec-81	1102.2		
Jan-82	1103.3		
Feb-82	1100.3		
Mar-82	1105.4		
Apr-82	1106.1		
May-82	1104.5		
Jun-82	1103.8		
Jul-82	1102.8		
Aug-82	1102.5		
Sep-82	1102		
Oct-82	1101.8		
Nov-82	1102.7		
Dec-82	1103.2		
Jan-83	1102		
Feb-83	1105.9		
Mar-83	1107.1		
Apr-83	1108		
May-83	1107.7		
Jun-83	1107.4		
Jul-83	1106.5		
Aug-83	1105.8		
Oct-83	1104.6		
Nov-83	1104.7		
Dec-83	1105.3		
Jan-84	1105.6		

WATER CONSERVATION – SUMMARY – GROUND WATER

GROUND WATER FLUCTUATION:

Location: Santa Clarita Valley, Near Castaic Junction

Ground Surface Elevation: 1131.0 ft above MSL

STATION	7048A	7048C	7057P
	WS Elev.	WS Elev.	WS Elev.
Feb-84	1105.6		
Mar-84	1106.5		
Apr-84	1104.7		
Jun-84	1102.4		
Jul-84	1102.4		
Aug-84	1103.4		
Sep-84	1101.7		
Dec-84	1105.9		
Jan-85	1104.3		
Apr-85	1104.8		
May-85	1101.1		
Jun-85	1099.9		
Jul-85	1100.3		
Aug-85	1107		
Sep-85	1100.7		
Oct-85	1100.5		
Dec-85	1101.5		
Jan-86	1101	1108	
Feb-86	1103.5	1110.5	
Mar-86	1105.2	1110.7	
Apr-86	1105	1109.2	
May-86	1102.2	1108.7	
Jun-86	1103.5		
Jul-86	1101.9	1106.4	
Aug-86	1098.3	1105.7	
Sep-86	1097.9	1104.4	
Oct-86	1098.9	1105.5	
Nov-86		1104.2	
Dec-86	1098.7	1105.3	
Jan-87	1100.7	1106	
Mar-87	1097	1093.7	

WATER CONSERVATION – SUMMARY – GROUND WATER

GROUND WATER FLUCTUATION:**Location: Santa Clarita Valley, Near Castaic Junction****Ground Surface Elevation: 1131.0 ft above MSL**

STATION	7048A	7048C	7057P
	WS Elev.	WS Elev.	WS Elev.
Apr-87	1098.7	1104.7	
May-87	1097	1104.2	
Jun-87	1094.5	1102.5	
Jul-87	1088.5	1098.7	
Aug-87		1097.2	
Sep-87	1094.3	1099.3	
Oct-87	1094	1101.6	
Nov-87	1096.5	1102.2	
Dec-87	1095.5	1102.7	
Jan-88	1099.9	1104.2	
Feb-88	1098.2	1103.4	
Mar-88	1098.5	1104.2	
Jun-88	1098	1102.4	
Jul-88	1094	1101.2	
Aug-88	1095.7	1101.2	
Sep-88	1093.8	1100.7	
Oct-88	1096.5	1100.2	
Jan-89	1092.8	1102.7	
Mar-89	1097.2	1101.8	
Apr-89	1093.5	1100.2	
May-89	1095.7	1100.3	
Jun-89	1095	1099.3	
Jul-89	1093.6	1098.2	
Aug-89	1089.6	1098.2	
Sep-89	1091.7	1097.4	
Oct-89	1091.8	1095.7	1100.4
Nov-89	1089	1097	
Dec-89	1089.9	1096.3	
Jan-90	1091		
Mar-90	1094.3	1097.8	1104.5
Apr-90		1097.3	

WATER CONSERVATION – SUMMARY – GROUND WATER

GROUND WATER FLUCTUATION:**Location: Santa Clarita Valley, Near Castaic Junction****Ground Surface Elevation: 1131.0 ft above MSL**

STATION	7048A	7048C	7057P
	WS Elev.	WS Elev.	WS Elev.
Jun-90		1096.1	
Jul-90		1085.2	
Sep-90		1091.2	
Oct-90			1092
Nov-90		1090.7	
Dec-90		1091.4	
Jan-91		1092.2	
Feb-91		1092.2	
Apr-91		1095.7	
May-91		1093	
Jun-91		1087.3	
Jul-91		1085.2	
Aug-91		1082.7	
Sep-91		1080	
Oct-93			1101
Oct-94			1095.6
May-95			1109.8
Oct-95			1099
Nov-96			1099.8
May-97			1095.5
Oct-97			1092.6
Dec-98			1104.4
May-99			1095.1
Nov-99			1095

WATER CONSERVATION – SUMMARY – GROUND WATER

GROUND WATER FLUCTUATION:

Location: Little Rock, South of Palmdale

Ground Surface Elevation: 2777.0 ft above MSL

STATION	8825
	WS Elev.
Jan-56	2647.8
Feb-56	2646.3
Mar-56	2647.9
Apr-56	2648
May-56	2653.4
Jun-56	2645.9
Jul-56	2629.9
Aug-56	2644.2
Sep-56	2649.6
Oct-56	2652
Nov-56	2653.7
Dec-56	2655.2
Jan-57	2656.6
Feb-57	2657.5
Mar-57	2658.6
Apr-57	2657.7
May-57	2656.7
Jun-57	2655.8
Jul-57	2649.8
Aug-57	2651.3
Sep-57	2651
Oct-57	2654.4
Nov-57	2656
Dec-57	2657.8
Jan-58	2658.9
Feb-58	2660
Mar-58	2660.5
Apr-58	2660.5
May-58	2660.8
Jun-58	2661.3
Jul-58	2659.6

WATER CONSERVATION – SUMMARY – GROUND WATER

GROUND WATER FLUCTUATION:**Location: Little Rock, South of Palmdale****Ground Surface Elevation: 2777.0 ft above MSL**

STATION	8825
	WS Elev.
Aug-58	2657.7
Sep-58	2657.6
Oct-58	2666.1
Nov-58	2659.9
Dec-58	2663.2
Jan-59	2664.4
Feb-59	2664.7
Mar-59	2665.4
Apr-59	2662
May-59	2658.7
Jun-59	2662.5
Jul-59	2657.4
Aug-59	2656.4
Sep-59	2658.7
Oct-59	2661.7
Nov-59	2660.6
Dec-59	2662.1
Jan-60	2663.2
Feb-60	2664.3
Mar-60	2664.4
Apr-60	2659.9
May-60	2660.4
Jun-60	2658.5
Jul-60	2654.3
Aug-60	2652.7
Sep-60	2654.1
Oct-60	2650.6
Nov-60	2656
Dec-60	2657.1
Jan-61	2658.4
Feb-61	2658.2

WATER CONSERVATION – SUMMARY – GROUND WATER

GROUND WATER FLUCTUATION:**Location: Little Rock, South of Palmdale****Ground Surface Elevation: 2777.0 ft above MSL**

STATION	8825
	WS Elev.
Mar-61	2654.3
Apr-61	2655.8
May-61	2653
Jun-61	2651.6
Jul-61	2649.1
Aug-61	2646.6
Sep-61	2650.2
Oct-61	2648.1
Nov-61	2650.9
Dec-61	2649.6
Jan-62	2654
Feb-62	2654.4
Mar-62	2655.2
Apr-62	2652.6
May-62	2653.6
Jun-62	2653.5
Jul-62	2652.2
Aug-62	2650.5
Sep-62	2651.5
Oct-62	2651.9
Nov-62	2653.5
Jan-63	2654.8
Feb-63	2655.3
Mar-63	2650.1
Apr-63	2654.6
May-63	2649.9
Jun-63	2648.3
Jul-63	2647.2
Aug-63	2645
Sep-63	2648.7
Oct-63	2650.3

WATER CONSERVATION – SUMMARY – GROUND WATER

GROUND WATER FLUCTUATION:**Location: Little Rock, South of Palmdale****Ground Surface Elevation: 2777.0 ft above MSL**

STATION	8825
	WS Elev.
Nov-63	2652.1
Dec-63	2653.2
Jan-64	2653.7
Feb-64	2653.3
Mar-64	2650.3
Apr-64	2653.5
May-64	2653
Jun-64	2653.5
Jul-64	2651.5
Aug-64	2649.3
Sep-64	2648.2
Oct-64	2646.5
Dec-64	2652
Jan-65	2652.9
Feb-65	2653.4
Mar-65	2652.4
Apr-65	2650.1
May-65	2652.1
Jun-65	2649.8
Jul-65	2649.7
Aug-65	2648.8
Sep-65	2650.9
Oct-65	2650.8
Nov-65	2651.8
Dec-65	2653
Jan-66	2653.7
Feb-66	2654.6
Mar-66	2654.8
Apr-66	2655.3
May-66	2656.7
Jun-66	2655.2

WATER CONSERVATION – SUMMARY – GROUND WATER

GROUND WATER FLUCTUATION:**Location: Little Rock, South of Palmdale****Ground Surface Elevation: 2777.0 ft above MSL**

STATION	8825
	WS Elev.
Jul-66	2654.5
Aug-66	2652
Sep-66	2650.8
Oct-66	2653.9
Nov-66	2656.7
Dec-66	2657.5
Jan-67	2657.8
Feb-67	2657.2
Mar-67	2658.2
Apr-67	2659.3
May-67	2659.3
Jun-67	2658.6
Jul-67	2657.1
Aug-67	2656.3
Sep-67	2659
Oct-67	2659.5
Nov-67	2661
Jan-68	2662.1
Feb-68	2662.6
Mar-68	2662.7
Apr-68	2662.7
May-68	2662.4
Jun-68	2661.8
Jul-68	2660.2
Aug-68	2657.2
Sep-68	2658.9
Oct-68	2653.5
Nov-68	2658.1
Dec-68	2659.6
Feb-69	2660.9
Mar-69	2661

WATER CONSERVATION – SUMMARY – GROUND WATER

GROUND WATER FLUCTUATION:**Location: Little Rock, South of Palmdale****Ground Surface Elevation: 2777.0 ft above MSL**

STATION	8825
	WS Elev.
Apr-69	2660
May-69	2659.8
Jun-69	2658.6
Jul-69	2660
Aug-69	2659.6
Sep-69	2660.2
Oct-69	2660
Nov-69	2663.6
Dec-69	2664.8
Jan-70	2665.1
Feb-70	2665.2
Mar-70	2665.4
Apr-70	2665.9
May-70	2660.2
Jun-70	2657.8
Jul-70	2662
Aug-70	2660.2
Sep-70	2660.1
Oct-70	2660.3
Nov-70	2663
Dec-70	2664.1
Jan-71	2662.2
Feb-71	2664.1
Mar-71	2663.7
Apr-71	2660.4
May-71	2660.2
Jun-71	2660.1
Jul-71	2659.9
Aug-71	2657.5
Sep-71	2658.6
Oct-71	2660

WATER CONSERVATION – SUMMARY – GROUND WATER

GROUND WATER FLUCTUATION:**Location: Little Rock, South of Palmdale****Ground Surface Elevation: 2777.0 ft above MSL**

STATION	8825
	WS Elev.
Nov-71	2661.1
Dec-71	2660.8
Jan-72	2661.8
Feb-72	2661.2
Mar-72	2661.6
Apr-72	2660.7
May-72	2659.3
Jun-72	2659.6
Jul-72	2657.3
Aug-72	2657.3
Sep-72	2657.5
Oct-72	2657
Nov-72	2658.3
Dec-72	2659.9
Jan-73	2657.5
Feb-73	2658.7
Mar-73	2659.9
Apr-73	2658.5
May-73	2656.4
Jun-73	2655.8
Jul-73	2654
Aug-73	2653.4
Sep-73	2653.9
Oct-73	2655.1
Nov-73	2656.7
Dec-73	2657.2
Feb-74	2658.2
Mar-74	2657.5
Apr-74	2657
May-74	2654.9
Jun-74	2652.9

WATER CONSERVATION – SUMMARY – GROUND WATER

GROUND WATER FLUCTUATION:

Location: Little Rock, South of Palmdale

Ground Surface Elevation: 2777.0 ft above MSL

STATION	8825
	WS Elev.
Jul-74	2650.7
Aug-74	2651.6
Sep-74	2654.3
Oct-74	2656.5
Nov-74	2657.2
Dec-74	2657.1
Jan-75	2658.6
Feb-75	2659.1
Apr-75	2659.3
May-75	2657.2
Jun-75	2655.8
Jul-75	2655.6
Sep-75	2655.3
Oct-75	2655.2
Nov-75	2658.1
Dec-75	2657.2
Jan-76	2656.9
Feb-76	2658.3
Mar-76	2658.5
Apr-76	2657.7
May-76	2657.1
Jun-76	2655.7
Jul-76	2655.5
Aug-76	2654.1
Sep-76	2655.7
Oct-76	2657.3
Nov-76	2657.2
Dec-76	2658.9
Jan-77	2659.4
Feb-77	2659.5
Mar-77	2659.3

WATER CONSERVATION – SUMMARY – GROUND WATER

GROUND WATER FLUCTUATION:**Location: Little Rock, South of Palmdale****Ground Surface Elevation: 2777.0 ft above MSL**

STATION	8825
	WS Elev.
Apr-77	2659
May-77	2659
Jun-77	2657.4
Jul-77	2659.3
Aug-77	2657.3
Sep-77	2656.9
Oct-77	2657.6
Nov-77	2658.2
Dec-77	2659.3
Jan-78	2659.3
Feb-78	2660
Mar-78	2660.1
Apr-78	2660.3
May-78	2658.3
Jun-78	2658.3
Jul-78	2656.9
Aug-78	2656.2
Sep-78	2658.8
Oct-78	2659.3
Jan-79	2661.8
Mar-79	2663.5
Apr-79	2664.4
Jun-79	2660
Sep-79	2658.8
Jan-80	2660.3
May-80	2667.4
Jun-80	2667.8
Jul-80	2668.4
Aug-80	2668.6
Sep-80	2670.4
Oct-80	2671.2

WATER CONSERVATION – SUMMARY – GROUND WATER

GROUND WATER FLUCTUATION:

Location: Little Rock, South of Palmdale

Ground Surface Elevation: 2777.0 ft above MSL

STATION	8825
	WS Elev.
Nov-80	2671.6
Dec-80	2672.2
Jan-81	2672.6
Feb-81	2672.7
Apr-81	2672.6
May-81	2671.4
Jun-81	2671.2
Jul-81	2670.2
Aug-81	2667.4
Sep-81	2666.4
Oct-81	2669.3
Nov-81	2658.5
Dec-81	2670
Jan-82	2670.1
Feb-82	2669.9
Mar-82	2670.1
Apr-82	2669.1
May-82	2668.8
Jun-82	2668.2
Jul-82	2668.5
Aug-82	2668.2
Sep-82	2668.8
Oct-82	2668.3
Nov-82	2669.2
Dec-82	2669.3
Jan-83	2669.6
Feb-83	2669.6
Apr-83	2670
May-83	2669.7
Jun-83	2670
Jul-83	2670.2

WATER CONSERVATION – SUMMARY – GROUND WATER

GROUND WATER FLUCTUATION:**Location: Little Rock, South of Palmdale****Ground Surface Elevation: 2777.0 ft above MSL**

STATION	8825
	WS Elev.
Aug-83	2671.6
Sep-83	2672
Oct-83	2673.4
Nov-83	2673.8
Dec-83	2674.4
Jan-84	2674.7
Feb-84	2675.2
Mar-84	2675.2
Apr-84	2675
May-84	2674.4
Jun-84	2666.3
Jul-84	2665.8
Aug-84	2666.4
Sep-84	2670.7
Oct-84	2671.5
Nov-84	2672.7
Dec-84	2673.1
Jan-85	2670.9
Feb-85	2671.5
Jun-85	2664.1
Jul-85	2666.9
Aug-85	2666.1
Sep-85	2669.2
Oct-85	2669.5
Nov-85	2669.4
Dec-85	2669.5
Jan-86	2668.8
Feb-86	2669.4
Mar-86	2669.8
Apr-86	2666.3
May-86	2669.3

WATER CONSERVATION – SUMMARY – GROUND WATER

GROUND WATER FLUCTUATION:**Location: Little Rock, South of Palmdale****Ground Surface Elevation: 2777.0 ft above MSL**

STATION	8825
	WS Elev.
Jun-86	2668.9
Jul-86	2665.1
Aug-86	2663
Sep-86	2668
Oct-86	2658.9
Mar-87	2667.5
Apr-87	2659.1
Sep-87	2667
Oct-87	2666.8
Nov-87	2662.8
Dec-87	2670.3
Jan-88	2667.5
Feb-88	2667
Mar-88	2665.9
May-88	2665.3
Jun-88	2665.3
Aug-88	2662.9
Sep-88	2664
Oct-88	2661.3
Jan-89	2661.6
Feb-89	2650.3
Mar-89	2665.8
Apr-89	2666.3
May-89	2665.5
Jun-89	2665.3
Aug-89	2663.3
Sep-89	2665.3
Oct-89	2661.3
Dec-89	2665.2
Jan-90	2661.2
Mar-90	2665.8

WATER CONSERVATION – SUMMARY – GROUND WATER
--

GROUND WATER FLUCTUATION:**Location: Little Rock, South of Palmdale****Ground Surface Elevation: 2777.0 ft above MSL**

STATION	8825
	WS Elev.
Apr-90	2665
May-90	2665
Jun-90	2665.6
Jul-90	2660.5
Oct-90	2665
Dec-90	2663
Mar-91	2663
Apr-91	2663
May-91	2665
Jun-91	2663
Jul-91	2661
Aug-91	2662
Sep-91	2663
Oct-91	2663
Nov-91	2661
Dec-91	2661
Jan-92	2661
Feb-92	2662
Mar-92	2662
Apr-92	2660
May-92	2660
Jun-92	2659
Jul-92	2661
Aug-92	2661
Sep-92	2661
Oct-92	2663
Nov-92	2663
Dec-92	2663
Feb-93	2663
Mar-93	2665
May-93	2665

WATER CONSERVATION – SUMMARY – GROUND WATER
--

GROUND WATER FLUCTUATION:**Location: Little Rock, South of Palmdale****Ground Surface Elevation: 2777.0 ft above MSL**

STATION	8825
	WS Elev.
Jun-93	2674
Jul-93	2667
Aug-93	2667
Sep-93	2670
Oct-93	2671
Nov-93	2671
Dec-93	2669
Jan-94	2669
Mar-94	2673
May-94	2670
Jul-94	2668
Aug-94	2671
Sep-94	2673
Jan-95	2667
Feb-95	2667
Mar-95	2670
Apr-95	2670
Jun-95	2670
Jul-95	2669
Aug-95	2667
Oct-95	2666
Dec-95	2671
Jan-96	2665
Feb-96	2666
Mar-96	2667
Apr-96	2667
Apr-97	2662
Oct-97	2661
Dec-98	2663
Feb-99	2665
Nov-99	2663

WATER CONSERVATION – SUMMARY – GROUND WATER

GROUND WATER FLUCTUATION:

Location: Little Rock, South of Palmdale

Ground Surface Elevation: 2777.0 ft above MSL

STATION	8825
	WS Elev.
Jun-00	2664
Dec-00	2665
01-May	2661
01-Dec	2659

WATER CONSERVATION – SUMMARY – GROUND WATER

GROUND WATER FLUCTUATION:

Location : Antelope Valley, South of Lancaster

Ground Surface Elevation: 2512 ft above MSL

STATION	9962C	9962B	9962D	9974
	WS Elev.	WS Elev.	WS Elev.	WS Elev.
Apr-61	2236.8			
May-61	2237.4			
Jun-61	2235.8			
Jul-61	2232			
Aug-61	2233.3			
Sep-61	2231.6			
Oct-61	2231.7			
Nov-61	2233.4			
Dec-61	2233.5			
Jan-62	2237.1			
Feb-62	2237			
Mar-62	2237.8			
Apr-62	2235.9			
May-62	2233.2			
Jun-62	2231.1			
Jul-62	2229.4			
Aug-62	2227.4			
Sep-62	2226			
Oct-62	2226.5			
Nov-62	2229.7			
Jan-63	2231			
Feb-63	2230.4			
Mar-63	2229.8			
Apr-63	2230.1			
May-63	2227.3			
Jun-63	2225.9			
Jul-63	2223.9			
Aug-63	2221.7			
Sep-63	2221.2			
Oct-63	2222.5			
Nov-63	2224.8			

WATER CONSERVATION – SUMMARY – GROUND WATER

GROUND WATER FLUCTUATION:

Location : Antelope Valley, South of Lancaster

Ground Surface Elevation: 2512 ft above MSL

STATION	9962C	9962B	9962D	9974
	WS Elev.	WS Elev.	WS Elev.	WS Elev.
Dec-63	2225.8			
Jan-64	2225.6			
Feb-64	2227			
Mar-64	2227.4			
Apr-64	2226.4			
May-64	2224.3			
Jun-64	2221.5			
Jul-64	2217.6			
Aug-64	2216.1			
Sep-64	2216.2			
Oct-64	2216.3			
Nov-64	2218.9			
Jan-65	2221.2			
Feb-65	2220.1			
Mar-65	2219.5			
Apr-65	2220.6			
May-65	2218			
Jun-65	2215.4			
Jul-65	2211.6			
Aug-65	2210			
Sep-65	2210.7			
Oct-65	2210			
Nov-65	2212.2			
Dec-65	2215.1			
Jan-66	2215.8			
Feb-66	2217			
Mar-66	2214.7			
Apr-66	2213.3			
May-66	2210.9			
Jun-66	2209.2			
Jul-66	2206.9			

WATER CONSERVATION – SUMMARY – GROUND WATER

GROUND WATER FLUCTUATION:

Location : Antelope Valley, South of Lancaster

Ground Surface Elevation: 2512 ft above MSL

STATION	9962C	9962B	9962D	9974
	WS Elev.	WS Elev.	WS Elev.	WS Elev.
Aug-66	2205.6			
Oct-66	2207.6			
Dec-66	2211.1			
May-67	2198.4			
Aug-67	2208.4			
Oct-67	2203.4			
Nov-67	2204.3			
Dec-67	2206.4			
Jan-68	2207.5			
Feb-68	2207.4			
Mar-68	2206.8			
Apr-68	2205.2			
May-68	2203.7			
Jun-68	2202.2			
Jul-68	2200.5			
Aug-68	2199.7			
Sep-68	2199.6			
Oct-68	2200.3			
Nov-68	2199.4			
Dec-68	2194.6			
Feb-69	2197.7			
Mar-69	2201.6			
Apr-69	2203.2			
May-69	2201.2			
Jun-69	2200.3			
Jul-69	2198.9			
Aug-69	2197			
Sep-69	2198.5			
Oct-69	2197.9			
Nov-69	2198.2			
Dec-69	2200.3			

WATER CONSERVATION – SUMMARY – GROUND WATER

GROUND WATER FLUCTUATION:

Location : Antelope Valley, South of Lancaster

Ground Surface Elevation: 2512 ft above MSL

STATION	9962C	9962B	9962D	9974
	WS Elev.	WS Elev.	WS Elev.	WS Elev.
Jan-70	2200.8			
Feb-70	2200.9			
Mar-70	2201.1			
Apr-70	2199.5			
May-70	2199.1			
Jun-70	2197.2			
Jul-70	2195.2			
Aug-70	2195			
Sep-70	2194.2			
Oct-70	2194.5			
Nov-70	2195.3			
Dec-70	2191.7			
Jan-71	2196.6			
Feb-71	2197.7			
Mar-71	2197.1			
Apr-71	2195.6			
May-71	2192.9			
Jun-71	2192.2			
Jul-71	2190.6			
Aug-71	2189.5			
Sep-71	2188.8			
Oct-71	2188.8			
Nov-71	2189.6			
Dec-71	2189.6			
Jan-72	2190.9			
Feb-72	2191			
Mar-72	2190.6			
Apr-72	2189.2			
May-72	2187			
Jun-72	2187.8			
Jul-72	2185.6			

WATER CONSERVATION – SUMMARY – GROUND WATER

GROUND WATER FLUCTUATION:

Location : Antelope Valley, South of Lancaster

Ground Surface Elevation: 2512 ft above MSL

STATION	9962C	9962B	9962D	9974
	WS Elev.	WS Elev.	WS Elev.	WS Elev.
Aug-72	2184.4			
Sep-72	2184.2			
Oct-72	2184.6			
Nov-72	2185.4			
Dec-72	2187.2			
Jan-73	2188.1			
Feb-73	2188.6			
Mar-73	2189.3			
Apr-73		2187		
May-73		2182.4		
Jun-73		2183.9		
Jul-73		2182.5		
Aug-73		2180.3		
Sep-73		2178.6		
Oct-73		2178.7		
Nov-73		2180.4		
Dec-73		2181.3		
Jan-74		2182.1		
Feb-74		2183.2		
Mar-74		2182.2		
Apr-74		2181.4		
May-74		2180.5		
Jun-74		2178.3		
Jul-74		2176.2		
Aug-74		2169.3		
Sep-74		2174.6		
Nov-74		2168	2176.9	
Dec-74			2177.1	
Jan-75			2177.6	
Feb-75			2177.7	
Mar-75			2177.6	

WATER CONSERVATION – SUMMARY – GROUND WATER

GROUND WATER FLUCTUATION:

Location : Antelope Valley, South of Lancaster

Ground Surface Elevation: 2512 ft above MSL

STATION	9962C	9962B	9962D	9974
	WS Elev.	WS Elev.	WS Elev.	WS Elev.
Apr-75			2176	2180
May-75			2176.3	2179
Jun-75			2174.9	
Jul-75			2174.4	
Aug-75			2173	2171.5
Sep-75			2172.4	2172.3
Oct-75			2172	
Nov-75			2169.2	
Dec-75			2168.7	2159
Jan-76			2168.7	2173.4
Feb-76			2173	2171
Mar-76				2161
Apr-76			2172	
May-76			2167.3	2170.8
Jun-76			2170.9	2168.5
Jul-76			2169.8	2169.5
Aug-76			2169.4	2166
Sep-76			2168.9	2165.1
Oct-76			2168.9	2167.2
Nov-76			2168.8	2168.5
Dec-76			2169.9	2168.2
Jan-77			2170.2	2170.2
Feb-77			2170	2170.1
Mar-77			2170	2169.5
May-77			2169	2167
Jun-77			2168.7	2166
Jul-77			2167.7	2164
Aug-77			2163.7	2163.2
Sep-77			2162	2162.5
Oct-77			2161	2162.6
Nov-77				2164.6

WATER CONSERVATION – SUMMARY – GROUND WATER

GROUND WATER FLUCTUATION:

Location : Antelope Valley, South of Lancaster

Ground Surface Elevation: 2512 ft above MSL

STATION	9962C	9962B	9962D	9974
	WS Elev.	WS Elev.	WS Elev.	WS Elev.
Dec-77				2164.3
Jan-78				2164.1
Feb-78				2165
Mar-78				2165.1
Apr-78				2165.1
May-78				2165
Jun-78				2161.8
Jul-78				2161.7
Aug-78				2160.9
Sep-78				2161.9
Oct-78				2161.5
Jan-79				2164.5
Mar-79				2165.1
Apr-79				2164.3
Jun-79				2161.4
Sep-79				2159.6
Mar-80				2162.9
Jun-80				2160.8
Sep-80				2158.7
Oct-80				2158.4
Nov-80				2159.3
Dec-80				2157.1
Jan-81				2156
Feb-81				2154.4
Apr-81				2160.7
May-81				2156.8
Jun-81				2151.2
Jul-81				2149.6
Aug-81				2152.3
Sep-81				2157.1
Oct-81				2158

WATER CONSERVATION – SUMMARY – GROUND WATER

GROUND WATER FLUCTUATION:**Location : Antelope Valley, South of Lancaster****Ground Surface Elevation: 2512 ft above MSL**

STATION	9962C	9962B	9962D	9974
	WS Elev.	WS Elev.	WS Elev.	WS Elev.
Nov-81				2158.6
Dec-81				2159
Jan-82				2159.3
Feb-82				2158.3
Mar-82				2158.2
Apr-82				2154.7
May-82				2157.1
Jun-82				2153.7
Jul-82				2154.1
Aug-82				2146.8
Sep-82				2153
Nov-82				2152.6
Dec-82				2154.7
Jan-83				2153.8
Feb-83				2157
Apr-83				2156
May-83				2153.1
Jul-83				2145.1
Aug-83				2150.8
Sep-83				2150.4
Oct-83				2151.3
Nov-83				2151.5
Jan-84				2152.1
Feb-84				2151.4
Apr-84				2150.2
Jul-84				2147.7
Aug-84				2147.4
Sep-84				2147.6
Oct-84				2147
Nov-84				2147.3
Jan-85				2146.7

WATER CONSERVATION – SUMMARY – GROUND WATER

GROUND WATER FLUCTUATION:**Location : Antelope Valley, South of Lancaster****Ground Surface Elevation: 2512 ft above MSL**

STATION	9962C	9962B	9962D	9974
	WS Elev.	WS Elev.	WS Elev.	WS Elev.
Feb-85				2149.1
Jun-85				2146.8
Jul-85				2144.9
Sep-85				2146
Oct-85				2146.2
Nov-85				2147
Jan-86				2146.9
Feb-86				2149
Mar-86				2147.7
Apr-86				2147.8
May-86				2146.7
Jun-86				2144.7
Aug-86				2144.1
Sep-86				2143
Oct-86				2142.4
Feb-87				2146.5
Mar-87				2146.3
Apr-87				2144
Mar-90				2144
Apr-90				2145
May-90				2148
Jun-90				2148
Jul-90				2148
Aug-90				2147
Oct-90				2149
Dec-90				2145
Apr-91				2149
May-91				2145
Jun-91				2149
Jul-91				2137
Aug-91				2151

WATER CONSERVATION – SUMMARY – GROUND WATER

GROUND WATER FLUCTUATION:**Location : Antelope Valley, South of Lancaster****Ground Surface Elevation: 2512 ft above MSL**

STATION	9962C	9962B	9962D	9974
	WS Elev.	WS Elev.	WS Elev.	WS Elev.
Sep-91				2153
Oct-91				2147
Nov-91				2149
Jan-92				2137
Feb-92				2147
Mar-92				2147
Apr-92				2142
Jun-92				2145
Jul-92				2145
Aug-92				2149
Oct-92				2147
Nov-92				2145
Dec-92				2146
Jan-93				2146
Feb-93				2147
Mar-93				2153
May-93				2147
Jun-93				2151
Jul-93				2147
Aug-93				2147
Sep-93				2149
Oct-93				2149
Nov-93				2149
Dec-93				2149
Jan-94				2147
Mar-94				2149
May-94				2147
Jul-94				2147
Aug-94				2149
Sep-94				2146
Feb-95				2145

WATER CONSERVATION – SUMMARY – GROUND WATER

GROUND WATER FLUCTUATION:

Location : Antelope Valley, South of Lancaster

Ground Surface Elevation: 2512 ft above MSL

STATION	9962C	9962B	9962D	9974
	WS Elev.	WS Elev.	WS Elev.	WS Elev.
Mar-95				2149
Apr-95				2149
Jun-95				2148
Jul-95				2151
Oct-97				2253
Dec-98				2278
Apr-99				2281
Nov-99				2263
Jun-00				2258
Dec-00				2275
01-May				2261
01-Dec				2281
02-May				2277

CUSTODIAN:

Unpublished information may be obtained by contacting:

County of Los Angeles
Department of Public Works
Water Resources Division
P.O. Box 1460
Alhambra, CA 91802-1460

...or telephone: (626) 458-6120

THE END

HYDROLOGIC REPORT 2001 – 2002

